

A Holley Performance Brand

PRO RACE FOGGER P/N 04462NOS & 04463NOS

199R10202

INSTALLATION INSTRUCTIONS

GENERAL INFORMATION:

NOS Pro Race Fogger Kits (P/N 04462NOS & 04463NOS) are single stage systems intended for maximum effort domestic V8 engines of at least 450 C.I.D. or greater.

Due to the angles of the new equal flow distribution block, plumbing of nitrous and fuel lines is very different from the traditional distribution blocks. Line length and block position is determined by intake manifold type, carburetor type, and linkage used. Each Pro Race Fogger Kit will be custom plumbed. No two will be alike.

The following illustrations are provided as a visual aid in the variety of ways your kit can be plumbed onto your manifold.

One jetting level is supplied that will allow a power gain of approximately 300 HP. The jets supplied are Precision Flow jets. This system will work with standard jets also. Typical power gains per stage are as follows:

Suggested Baseline Tuning Combinations for NOS Pro Race Fogger Systems—Direct Port Nozzles:

HP	Nitrous-Gas Jetting	Fuel Quality	Ignition Retard	Spark Plug Heat Range (Decrease)
250	28-28	110 Octane Racing Fuel	4° - 6°	2-3 steps from Normally Aspirated.
300	32-32	+116 Octane Racing Fuel	6° - 8°	2-3 steps from Normally Aspirated.
350	36-36	+116 Octane Racing Fuel	8° - 10°	3-4 steps from Normally Aspirated.
400	40-40	+116 Octane Racing Fuel	10° - 12°	3-4 steps from Normally Aspirated.
+450	42-42	+116 Octane Racing Fuel	12° - 14°	3-4 steps from Normally Aspirated.

Before beginning the installation of your NOS kit, compare the components in your kit with those shown below. If any components are missing, contact NOS Technical Support at 1-866-GOHOLLEY.

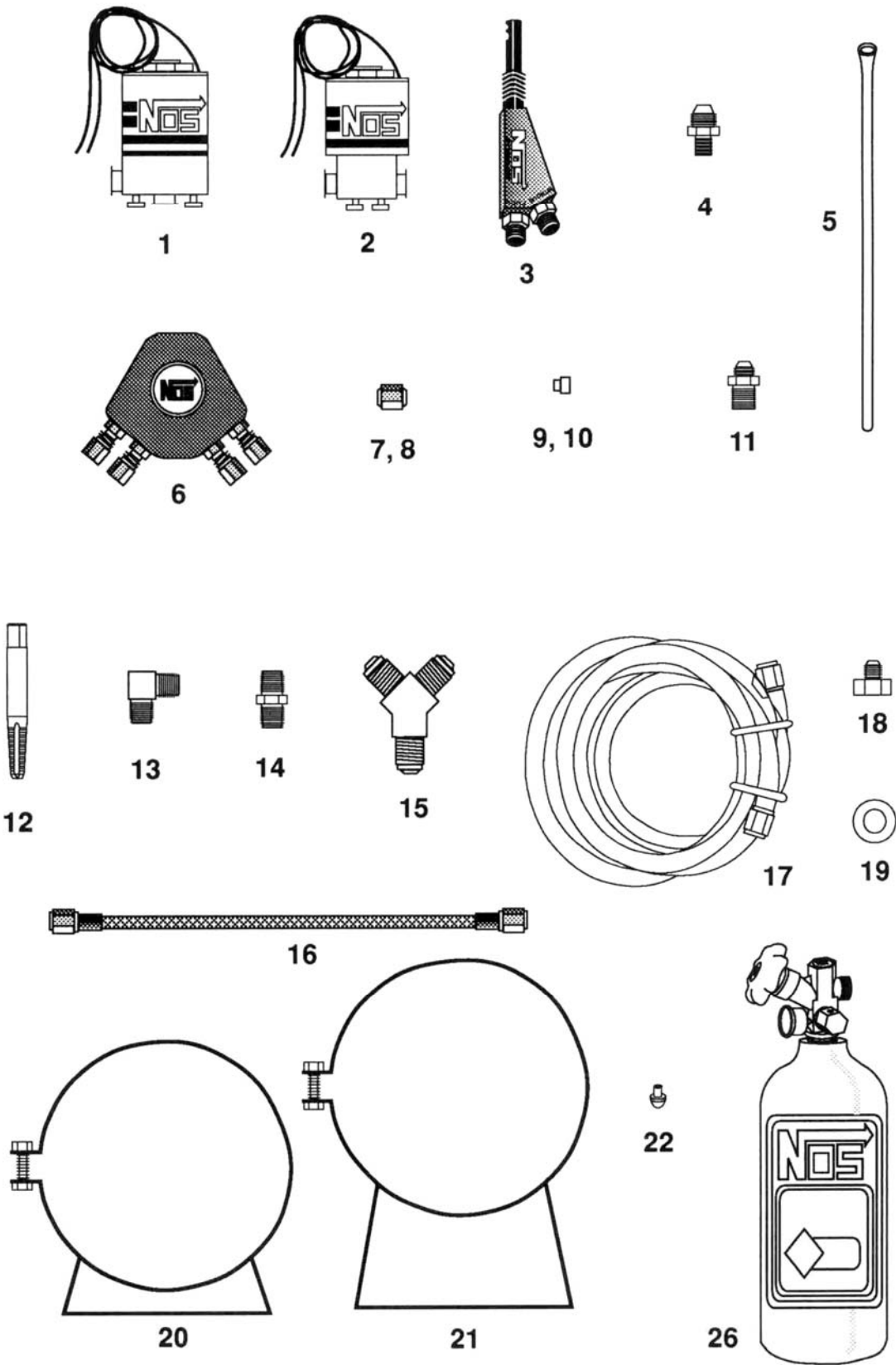
Kit Numbers 04462NOS & 04463NOS Parts List:

Item	Description	Quantity	NOS P/N
(1)	Pro Race Nitrous Solenoid	2	16048RNOS
(2)	Cheater Fuel Solenoid	2	16050NOS
(3)	Fogger Nozzle	8	*
(4)	6AN x 1/8 NPT Adapter (Red)	2	17986NOS
(5)	3/16" x 12" S/S tube	16	16365-SNOS
(6)	Equal Flow Distribution Block	4	16712NOS
(7)	3AN x 3/16" Tube Nut (Blue)	8	17550NOS
(8)	3AN x 3/16" Tube Nut (Red)	8	17551NOS
(9)	3AN x 3/16" Sleeve (Blue)	8	17600NOS
(10)	3AN x 3-16" Sleeve (Red)	8	17601NOS
(11)	Nitrous Filter	2	15564NOS
(12)	1/16 NPT Tap	1	15990NOS
(13)	90° Adapter—1/8 NPT Male—1/8 NPT Male	2	17530NOS
(14)	1/8 NPT Male Nipple	2	17500NOS
(15)	6AN Y-Block (Blue)	1	17835NOS
(16)	6AN—18" Hose (Blue)	2	15405-SNOS
(17)	6AN—14 ft. Hose (Blue)	1	15475NOS
(18)	6AN—660 Bottle Nut	1	16230NOS
(19)	Teflon Bottle Washer	1	16210NOS
(20)	Short 10/15 lb. Bottle Bracket	1	14126-SNOS
(21)	Long 10/15 lb. Bottle Bracket	1	14127-SNOS
(22)	Pro Fogger Jet Pack	1	13744NOS
(23)	Dash Emblem**	1	19150NOS
(24)	Warranty Pack**	1	A5070-SNOS
(25)	Pro Shot Fogger Manual**	1	199R10202
(26)	Nitrous Bottle 15 lb.	1	14750-SHF-GNOS

*Kit 04462NOS=P/N 13716NOS, Kit 04463NOS=P/N 13700RNOS

**Not shown in Component Identification Drawing.

Figure 1 Kit Numbers 04462NOS & 04463NOS Component Identification



Components 23, 24, & 25 are not shown.

Figure 2 Kit Numbers 04462NOS & 04463NOS Shown Installed—Configuration One

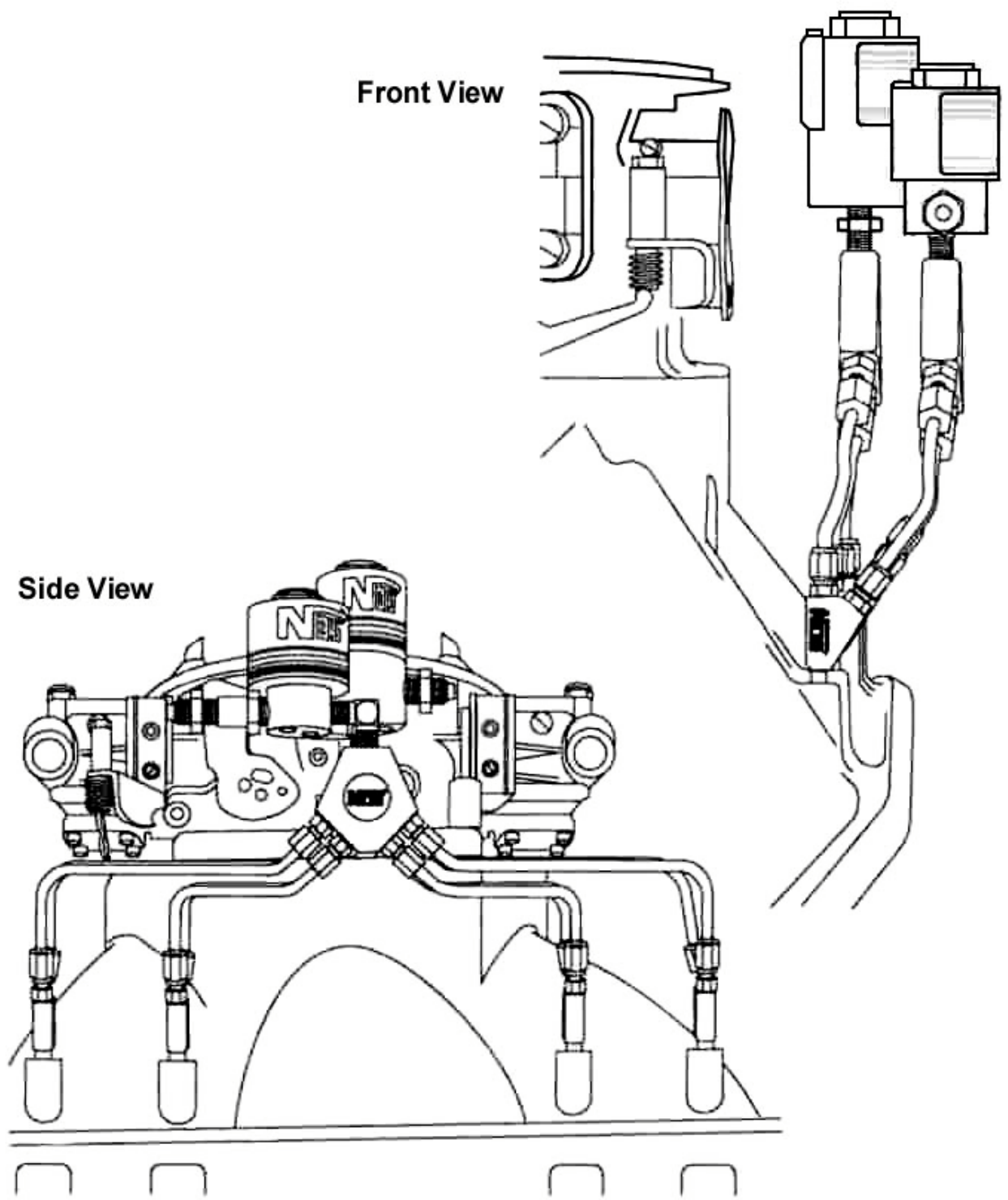
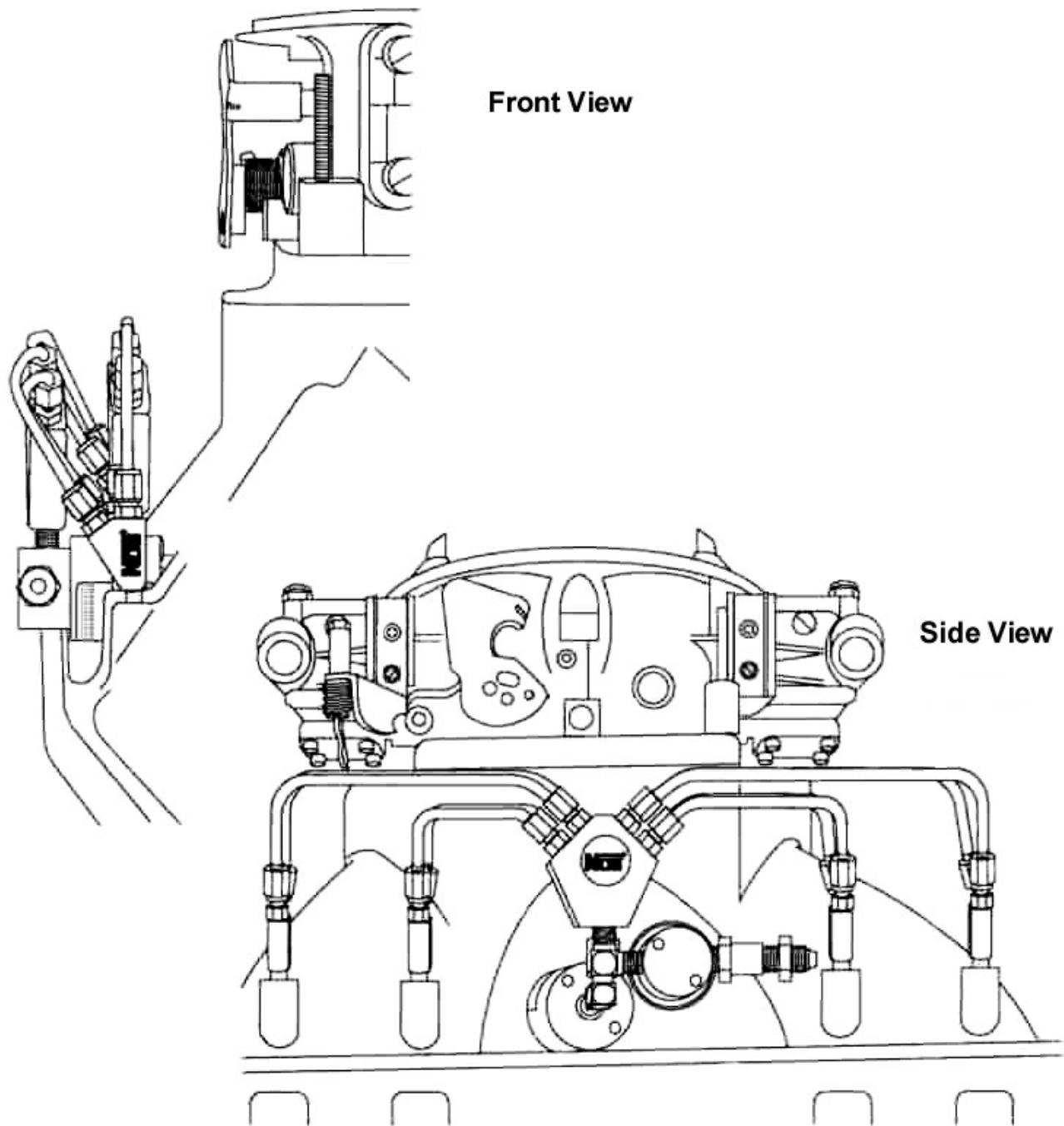


Figure 3 Kit Numbers 04462NOS & 04463NOS Shown Installed—Configuration Two



199R10202
Date: 2-2-04