



CROSSHAIR™ PLATE SYSTEM

NOS Kit Numbers: 02153NOS & 02154NOS
NOS Plate Kit Numbers: 12566NOS & 12666NOS



02153NOS shown



12566NOS shown

OWNER'S MANUAL

P/N 199R10494

NOTICE: Installation of Nitrous Oxide Systems Inc. products signifies that you have read this document and have agreed to the terms stated within.

It is the purchaser's responsibility to follow all installation instruction guidelines and safety procedures supplied with the product as it is received by the purchaser to determine the compatibility of the product with the vehicle or the device the purchaser intends to install the product on.

Nitrous Oxide Systems Inc. assumes no responsibility for damages occurring from accident, misuse, abuse, improper installation, improper operation, lack of reasonable care, or all previously stated reasons resulting from incompatibility with other manufacturers' products.

Nitrous Oxide Systems Inc. assumes no responsibility or liability for damages incurred by the use of products manufactured or sold by Nitrous Oxide Systems Inc. on vehicles used for competition or racing.

Nitrous Oxide Systems Inc. neither recommends nor condones the use of products manufactured or sold by Nitrous Oxide Systems Inc. on vehicles, which may be driven on public roads or highways, and assumes no responsibility for damages incurred by such use.

NOS nitrous oxide is legal for use in most states when used in accordance with state and local traffic laws. NOS does not recommend or condone the use of its products in illegal racing activities.

NOS has not pursued California Air Research Board (CARB) exemptions for these kits, hence, they are not legal for use on pollution-controlled vehicles in California. A correctly installed NOS nitrous system should not alter the emission control performance of your vehicle under standard EPA test cycle conditions.

NOTICE: The NOS Crosshair™ Plate System Kit is not intended for use on hatchback type vehicles without the use of NOS part numbers 16160NOS (External Aluminum Blow-Down Tube) and 16169NOS (Racer Safety Pressure Relief Cap).

HAZARDS DEFINED

This manual presents step-by-step instructions that describe the process of installing your NOS Nitrous Oxide Injection System. These procedures provide a framework for installation and operation of this kit. Parts are referenced by name and number to avoid confusion. Within the instructions, you are advised of potential hazards, pitfalls, and problems to avoid. The following examples explain the various hazard levels:

WARNING! Failure to comply with instructions may result in injury or death.

CAUTION! Failure to comply with instructions may result in damage to equipment.

NOTE: This information is important, needs to be emphasized, and is set apart from the rest of the text.

HINT: These special instructions provide a handy work tip.

NITROUS OXIDE INJECTION SYSTEM SAFETY TIPS

WARNINGS

Do not attempt to start the engine if the nitrous has been injected while the engine was not running. Disconnect the coil wire and turn the engine over with the throttle wide open for several revolutions before attempting to start. Failure to do so can result in extreme engine damage.

Never permit oil, grease, or any other readily combustible substances to come in contact with cylinders, valves, solenoids, hoses, and fittings. Oil and certain gases (such as oxygen and nitrous oxide) may combine to produce a flammable condition.

Never interchange nitrous and fuel solenoids. Failure to follow these simple instructions can result in extreme engine damage and/or personal injury.

Never drop or violently strike the bottle. Doing so may result in an explosive bottle failure.

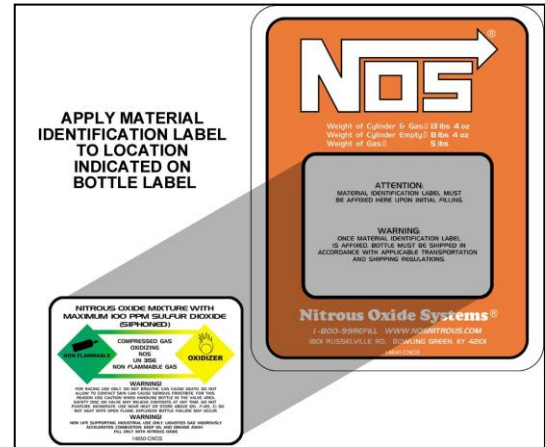
Never change the pressure settings of the safety relief valve on the nitrous bottle valve. Increasing the safety relief valve pressure settings may create an explosive bottle hazard.

Please note that the NOS bottle label has changed to a two-part assembly. The first label is already located on the bottle. Upon filling your bottle with nitrous oxide, apply the (second) material information label in the area indicated in the picture to the right.

NOTE: The material information decal is located in the same plastic bag as the bottle.

WARNING! Once the nitrous bottle has been filled, it must be shipped according to the applicable transportation and shipping regulations!

Do not deface or remove any markings, which are used for content identification.



Nitrous bottle valves should always be closed when the system is not being used.

Notify the supplier of any condition that may have permitted any foreign matter to enter the valve or bottle.

Keep the valves closed on all empty bottles to prevent accidental contamination.

After storage, open the nitrous bottle valve for an instant to clear the opening of any possible dust or dirt.

It is important that all threads on the valves and solenoids are properly mated. Never force connections that do not fit properly.

Identify the gas content by the NOS label on the bottle before using. If the bottle is not identified to show the gas contained, return the bottle to the supplier.

Do not deface or remove any markings, which are on the nitrous bottle.

Nitrous bottle valves should always be closed when the system is not being used.

Notify the supplier of any condition, which might have permitted any foreign matter to enter the valve or bottle.

Keep the valves closed on all empty bottles to prevent accidental contamination.

After storage, open the nitrous bottle valve for an instant to clear the opening of any possible dust or dirt.

It is important that all threads on the valves and solenoids are properly mated. Never force connections that do not fit properly.

CONGRATULATIONS on purchasing your NOS Nitrous Oxide Injection System. Your system is composed of the highest quality components available. It should provide many miles of trouble-free performance when used correctly. If you have any questions regarding the performance of your system, call NOS Technical Service at 1-866-GOHOLLEY.

TABLE OF CONTENTS

| | |
|---|-----------|
| WHAT IS NITROUS OXIDE? | 5 |
| Do's and Don'ts of Nitrous Oxide | 5 |
| Chapter 1 Introduction to your NOS Nitrous Oxide Kit | 6 |
| 1.1 General Information | 6 |
| 1.2 Crosshair™ Plate System Requirements..... | 6 |
| 1.3 Kit Components..... | 7 |
| Chapter 2 Kit Installation | 8 |
| 2.1 Injector Plate Mounting | 8 |
| 2.2 Solenoid Mounting | 9 |
| 2.2.1 Nitrous Solenoid Installation | 9 |
| 2.2.2 Fuel Solenoid Installation..... | 9 |
| 2.3 Nitrous Feed Line Mounting | 9 |
| 2.4 Fuel Line Connection | 9 |
| 2.5 Electrical System Installation..... | 10 |
| Chapter 3 Tuning | 11 |
| Chapter 4 Preparing for Operation | 12 |
| Chapter 5 Advanced Tuning for Maximum Power | 12 |
| 5.1 Optimum Nitrous/Fuel Jetting..... | 12 |
| 5.1.1 Determining Optimum Nitrous/Fuel Jetting | 12 |
| 5.1.2 Determining Optimum Ignition Timing..... | 13 |
| Chapter 6 Routine Maintenance | 15 |
| 6.1 Nitrous Solenoid Filter..... | 15 |
| 6.2 Nitrous Solenoid Plunger | 15 |
| 6.2.1 General Information..... | 15 |
| 6.2.2 Nitrous Solenoid Plunger Disassembly and Inspection | 15 |
| Appendix A Troubleshooting Guide | 17 |
| Nitrous Oxide Accessories | 18 |

WHAT IS NITROUS OXIDE?

NITROUS OXIDE...

...Is a cryogenic gas composed of nitrogen and oxygen molecules

...Is 36% oxygen by weight

...Is non-flammable by itself

...Is stored as a compressed liquid

...Exists in two grades—U.S.P. and Nitrous Plus:

- ❑ U.S.P. is medical grade nitrous oxide; its common use is dental and veterinary anesthesia. It is also commonly used as a propellant in canned whipped cream. U.S.P. is not available to the public.
- ❑ Nitrous Plus differs from U.S.P. in that it contains trace amounts of sulphur dioxide added to prevent substance abuse. Nitrous Plus is intended for automotive applications and is available for sale to the public

In automotive applications, Nitrous Plus and fuel are injected into the engine's intake manifold, which produces the following results:

- ❑ Lowers engine intake air temperature, producing a dense inlet charge.
- ❑ Increases the oxygen content of the inlet charge (air is only 22 percent oxygen by weight).
- ❑ Increases the rate at which combustion occurs in the engine's cylinders.

Do's and Don'ts of Nitrous Oxide

Do's

- ❑ Read all instructions before attempting to install your NOS nitrous system.
- ❑ Make sure your fuel delivery system is adequate for the nitrous jetting you have chosen. Inadequate fuel pressure or flow will result in engine damage.
- ❑ Use 14 gauge (minimum) wire when installing electrical system components.
- ❑ Use high-quality connections at all electrical joints.
- ❑ Use Teflon-based paste on pipe type fittings.
- ❑ Make sure your engine and related components (ignition, carburetor, and driveline) are in proper working condition.
- ❑ **If nitrous is accidentally injected into the engine when it is not running, remove the engine coil wire, open the throttle, and crank the engine 10 to 15 seconds before starting. Failure to do so can result in an explosive engine failure.**
- ❑ **Use your NOS nitrous system only at wide-open throttle and at engine speeds above 3000 RPM.**
- ❑ **Install a proper engine to chassis ground. Failure to do so may result in an explosive failure of the main nitrous supply line.**
- ❑ Use a high-quality fuel, as suggested in Chapter 3, Baseline Tuning Suggestions.

Don'ts

- ❑ Engage your nitrous system with the engine off. Severe engine damage can occur.
- ❑ Modify NOS nitrous systems (if you need a non-stock item, call NOS Technical Service for assistance)
- ❑ Overtighten AN type fittings.
- ❑ Use Teflon Tape on any pipe threads. Pieces of Teflon tape can break loose and become lodged in nitrous or fuel solenoids or solenoid filters. Debris lodged in a nitrous or fuel solenoid can cause catastrophic engine failure.



- ❑ Use sealant of any kind on AN type fittings.
- ❑ Allow nitrous pressure to exceed 1100 psi. Excessive pressure can cause swelling or in extreme cases failure of the nitrous solenoid plunger. Solenoid plungers are designed so that pressure-induced failures will prevent the valve from operating. No leakage should occur with this type of failure.
- ❑ **Inhale nitrous oxide. Death due to suffocation can occur.**
- ❑ **Allow nitrous oxide to come in contact with skin. Severe frostbite can occur.**
- ❑ Use octane boosters that contain methanol. Fuel solenoid failure may occur, producing severe engine damage.

Chapter 1 Introduction to your NOS Nitrous Oxide Kit

1.1 General Information

NOS Crosshair™ plate systems are single stage units intended for use on highly modified domestic V8 engines of at least 450 CID. Kit Numbers 02153NOS and 02154NOS are intended for single 4bbl applications using standard flange and Dominator series Holley carburetors. The crossed bar design is intended for use with intakes that have extended runner dividers that run into the plenum area to promote better cylinder-to-cylinder distribution. Three jetting levels are supplied that allow power gains to be easily adjusted from 250HP to 350HP

Table 1 Jetting and Power Levels

| HP | Jetting | | Baseline Pressures* | | Fuel Quality | Ignition Timing | Spark Plug Heat Range (NGK or Equiv) |
|-------|------------------|------|---------------------|------|--------------|-----------------|--------------------------------------|
| | N ₂ O | Fuel | N ₂ O | Fuel | | | |
| 200 | 2x52 | 2x49 | 950 | 6PSI | 110+ Octane | *** | -9 |
| 225 | 2x59 | 2x55 | 950 | 6PSI | 112+ Octane | *** | -10 |
| 250** | 2x65 | 2x61 | 950 | 6PSI | 112+ Octane | *** | -10 |
| 300** | 2x73 | 2x67 | 950 | 6PSI | 114+ Octane | *** | -10 |
| 325 | 2x85 | 2x77 | 950 | 6PSI | 114+ Octane | *** | -11 |
| 350** | 2x93 | 2x85 | 950 | 6PSI | 116+ Octane | *** | -11 |

*Baseline Pressures are set as follows:

Fuel is set as a flowing pressure through the jet size used. Bottle pressure should be measured at the beginning of the run.

** Jetting included with kit

*** See section 5.1.2 for timing recommendations

1.2 Crosshair™ Plate System Requirements

When used correctly, NOS nitrous oxide injection elevates cylinder pressures and temperatures while increasing the combustion rate. These characteristics make the engine more sensitive to detonation. **To ensure proper performance and engine life, the following is an absolute must:**

Adequate Fuel Pressure and Delivery

Most carburetors are designed to operate at 5 psi to 10 psi. When designing your fuel system, plan on your pumps and lines flowing at least 0.10 gallons of *gasoline* per hour per horsepower at 5 psi. For *alcohol* applications, double this number.

NOTE: Most fuel pumps are rated at free-flowing conditions—at 5 psi fuel pressure, their flow rates may be greatly reduced.

Intake Manifold

Due to the high flow rates of nitrous oxide and fuel that are attained with this kit, it is recommended that an intake with an open plenum (single plane) be used. Intake manifolds that feature individual orifices for each carburetor butterfly should not be used with the Double-Cross Single-Stage Kit.

Forged Pistons

Cast pistons are very prone to failure at elevated cylinder temperatures and pressures.

Connecting Rods

Standard type forged connecting rods tend to buckle under the high-compressive loads generated with large doses of nitrous oxide.

Cylinder Block

Four-bolt main cap blocks reduce the tendency for the main caps to “walk” under high-output loading. Cylinder head studs decrease the chance of cylinder heads lifting or moving relative to the cylinder block deck surface.

Crankshaft

Stock-type cast crankshafts may break. Stock-type forgings can bend or twist in high-output applications.

High-Output Ignition System

Stock-type ignition systems are prone to producing misfires at high-RPM, when subjected to high cylinder pressures. A quality aftermarket, racing ignition is suggested for all applications.

1.3 Kit Components

Before beginning the installation of your NOS kit, compare the components in your kit with those shown in Figure 1, and listed in Table 2 and 3. If any components are missing, please contact NOS Technical Support at 1-866-GOHOLLEY.

Table 2 02153NOS & 02154NOS System Parts List

| Item | Description | Qty. | NOS P/N |
|------|-------------------------------|------|-------------|
| 1 | Injector Plate | 1 | * |
| 2 | Carburetor Stud | 4 | * |
| 3 | Carburetor Gasket | 2 | * |
| 4 | Nitrous Pro Race Solenoid | 1 | 16048RNOS |
| 5 | Fuel Cheater Solenoid | 1 | 16050NOS |
| 6 | 6AN x 1/4" NPT Nitrous Filter | 1 | 15564NOS |
| 7 | Solenoid Mounting Bracket | 2 | 16500NOS |
| 8 | SS Flare Jet Assortment** | 1 | 13760-**NOS |
| 9 | 12" 4AN x 3AN Hose (Blue) | 2 | 15340NOS |
| 10 | 12" 4AN x 3AN Hose (Red) | 2 | 15341NOS |
| 11 | 1/8" NPT x 4AN TEE (Blue) | 1 | 17260NOS |
| 12 | 6AN x 1/8" NPT Fuel Filter | 1 | 15569NOS |
| 13 | 1/8" NPT x 4AN TEE (Red) | 1 | 17261NOS |

Table 3 12566NOS & 12666NOS System Parts List

| Item | Description | Qty. | NOS P/N |
|------|-----------------------------|------|-------------|
| 1 | Injector Plate Assembly | 1 | * |
| 2 | Carburetor Stud | 4 | * |
| 3 | Carburetor Gasket | 2 | * |
| 7 | Solenoid Mounting Bracket | 2 | 16500NOS |
| 8 | SS Flare Jet" Assortment ** | 1 | 13760-**NOS |
| 9 | 12" 4AN x 3AN Hose (Blue) | 2 | 15340NOS |
| 10 | 12" 4AN x 3AN Hose (Red) | 2 | 15341NOS |
| 11 | 1/8" NPT x 4AN TEE (Blue) | 1 | 17260NOS |
| 13 | 1/8" NPT x 4AN TEE (Red) | 1 | 17261NOS |

*Varies with application. **Includes two each – 61, 65, 67, 73, 85, and 93.

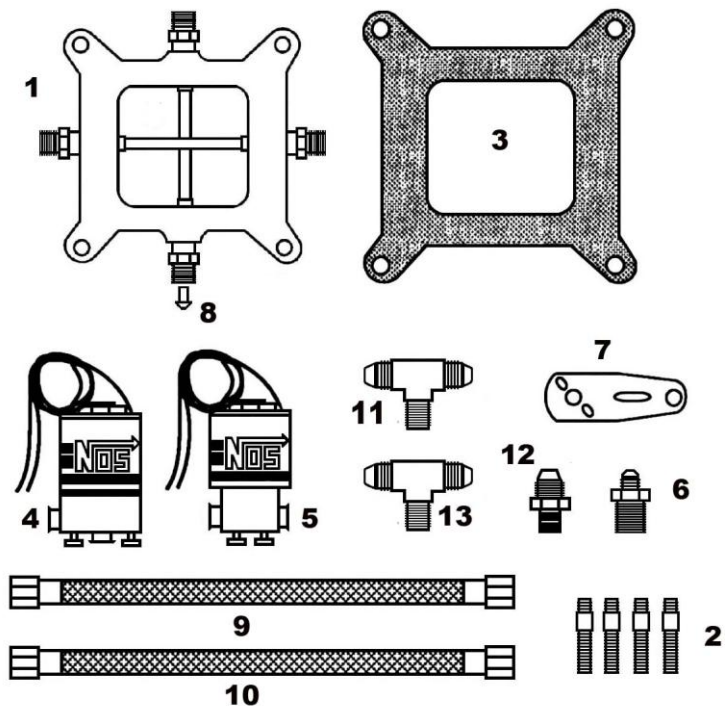


Figure 1

Chapter 2 Kit Installation

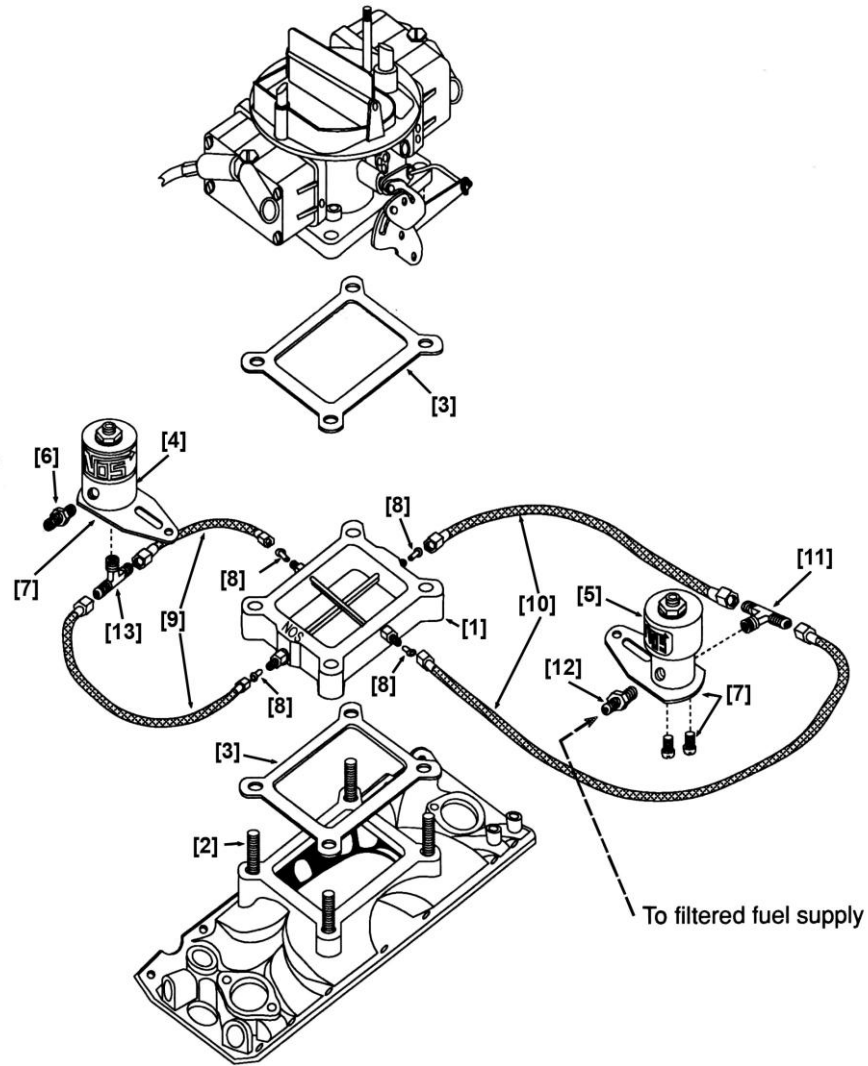


Figure 2 Crosshair™ Plate System Kits 02153NOS & 02154NOS—Assembly Drawing

2.1 Injector Plate Mounting

Use the following procedure to install the injector plate (1):

1. Remove the carburetor inlet ducting and air cleaner.
2. Disconnect the throttle linkage from the carburetor.
3. Disconnect the fuel line from the carburetor.
4. Remove the carburetor.
5. Remove the stock carburetor studs.
6. Install the extended carburetor studs (2).
7. Install the injector plate (1) and gaskets (3) on the intake manifold with “THIS SIDE UP” facing up and forward. See Figure 2 for the illustration of the part installation. This places the fuel inlets on the plate towards the front and driver’s side of the vehicle for the 4500 flange plates and the fuel ports to the driver’s side and rear for the 4150 flange plates.
8. Install the carburetor.
9. Connect the throttle linkage.

2.2 Solenoid Mounting

Use the following procedure to install the nitrous solenoid (4) and fuel solenoid (5). See Figure 2 for the illustration of the part installation.

NOTE: Remember to use Teflon paste **only** on pipe threads.

2.2.1 Nitrous Solenoid Installation

CAUTION: Do not overtighten the vise in the following procedure, or the solenoid will be damaged.

1. Clamp the nitrous solenoid (4) in a bench vise.
2. Install the blue nitrous filter fitting (6) in the inlet port of the nitrous solenoid.
3. Attach the solenoid mounting bracket (7) to the nitrous solenoid.
4. Install a 1/8" NPT x 4 AN blue tee adapter (13) in the outlet port of the nitrous solenoid.
5. Loosely mount the nitrous solenoid near the base of the carburetor on the passenger's side of the injector plate. For 4500 flange kits, mount the solenoids toward the rear and for 4150 flange kits, mount the solenoids toward the front
6. Insert the proper nitrous jets (8) in the injector plate (See Section 1.1).
7. Connect the nitrous solenoid outlet port to the injector plate using the two 12" 4 AN x 3 AN blue N₂O extension hoses (9).
8. Tighten the solenoid mount. On the test engine, solenoids were mounted to an inner valve cover bolt.

2.2.2 Fuel Solenoid Installation

CAUTION: Do not overtighten the vise in the following procedure, or the solenoid will be damaged.

1. Clamp the fuel solenoid (5) in a bench vise.
2. Install the 1/8" x 6 AN red fitting (12) in the inlet port of the fuel solenoid.
3. Install a 1/8" NPT x 4 AN red tee adapter (11) in the outlet port of the fuel solenoid.
4. Attach the solenoid mounting bracket (7) to the fuel solenoid.
5. Loosely mount the fuel solenoid on the driver's side of the injector plate. For 4500 flange kits, mount the fuel solenoids toward the front and for 4150 flange kits, mount the solenoids toward the rear.
6. Insert the proper fuel jets (8) in the injector plate (See Section 1.1).
7. Connect the fuel solenoid outlet port to the injector plate using the two 12" 4 AN x 3 AN red fuel extension hose (10).
8. Tighten the solenoid mount.

2.3 Nitrous Feed Line Mounting

1. Connect the open end of the blue nitrous filter fitting (6) to the nitrous supply line from your bottle.

WARNING: Nitrous oxide can cause death if inhaled. Severe frostbite can occur if allowed to contact the skin. Always point the nitrous line opening away from people when purging the line.

2.4 Fuel Line Connection

1. Connect the open end of the 1/8" x 6 AN red fitting (12) installed in the inlet port of the fuel solenoid to a filtered fuel supply.

2.5 Electrical System Installation

NOTE: If you do not already have an electrical pack kit, it is available as NOS part # 15634NOS (Single Stage) or 15635NOS (Dual Stage).

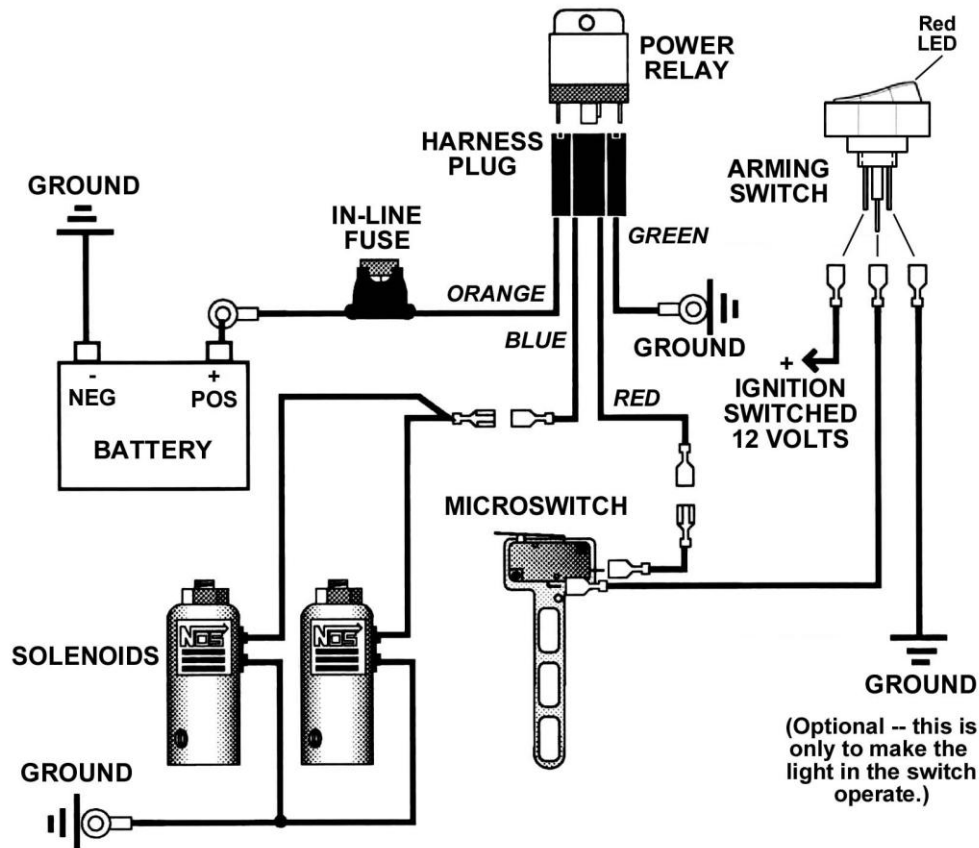


Figure 3 Electric Wiring Schematic

WARNING! Death or injury may occur from working on a charged electrical system.

1. Disconnect the car battery at the ground cable (if not already done).

WARNING! Binding or dragging of the throttle linkage will create a potentially dangerous stuck-throttle condition. Ensure that the microswitch does not interfere with normal throttle linkage operation.

2. Install the throttle microswitch as follows:

HINT: The microswitch may be mounted to the bracket in a variety of positions and on either side of the bracket. The bracket may be bent to suit the application.

- A. Mount the throttle microswitch on the throttle body so that the throttle linkage movement triggers the microswitch.
 - B. Adjust the microswitch to trigger at wide-open throttle by adjusting the microswitch's position to ensure the actuation arm of the microswitch "clicks" at the same point your throttle linkage reaches wide-open throttle against the throttle stop (Figure 6, Position A).
 - C. Ensure that the throttle and switch can reach the activation position, as shown in Figure 6, Position B, by using the accelerator pedal. Have an assistant slowly press the pedal to the floor while you listen for the "click" of the microswitch.
3. Install the NOS arming toggle switch in the vehicle interior, within easy reach of the driver. This switch is to be used to activate the nitrous system once safe engine RPM levels are reached.

CAUTION! Never activate your nitrous system below 3000 engine RPM. The installation of the Throttle RPM-Activated Switch, P/N 15982NOS is highly recommended to reduce the risk of engine damage while using this kit.

4. Install the wiring relay and relay harness in the engine compartment near the battery. The relay's orange wire should reach the battery (+) terminal.

5. Connect the orange relay wire to the battery (+) terminal. Install a 15 AMP fuse into the fuse socket.
6. Connect one wire from each solenoid together. Join the solenoid wires to the blue relay wire.
7. Join the remaining solenoid wires together. Connect to a good chassis ground.

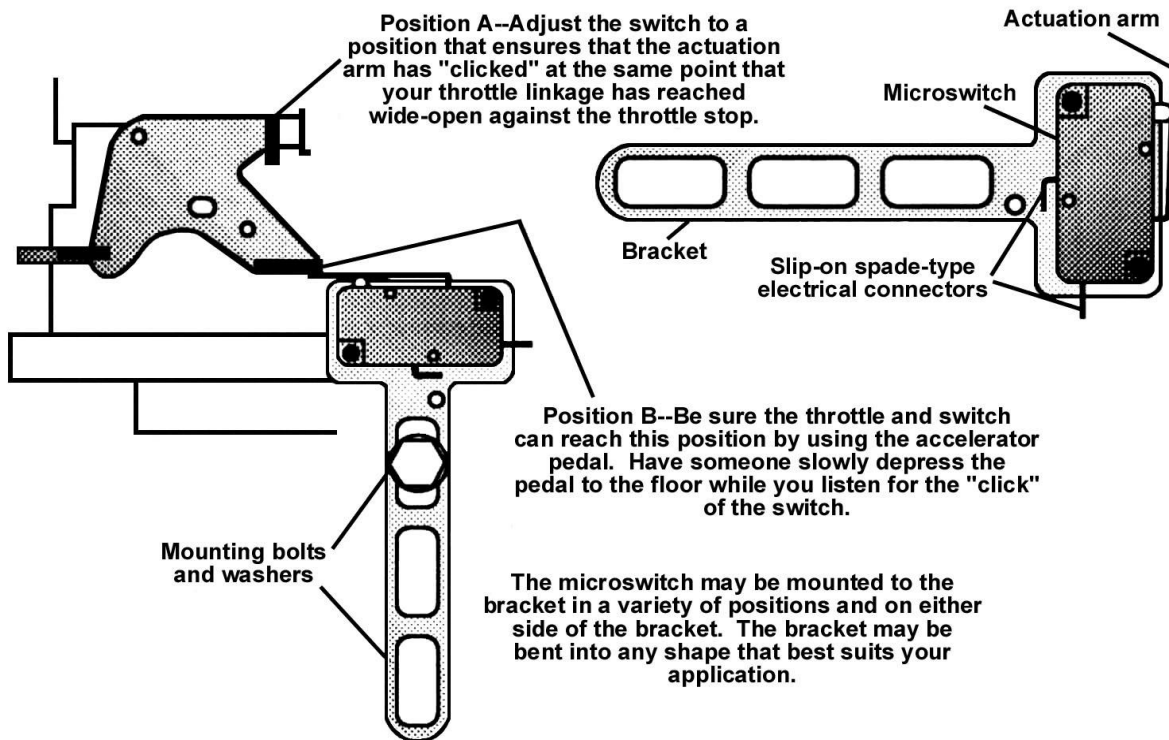


Figure 6 Microswitch Mounting

8. Connect the green relay wire to a good chassis ground. If you are running a fuel pressure safety switch, install it here between the green wire and ground.
9. Connect red relay wire to either terminal on the microswitch.
10. Connect the open terminal on the microswitch to the center terminal on the arming rocker switch.
11. Connect the terminal on the arming switch away from the LED to a switched 12 volt power source.
12. Connect the terminal of the arming switch closest to the LED to ground.
13. Reconnect the battery. Turn the arming switch on.
14. Push the throttle wide open while the engine is off. Each solenoid should make a clicking noise if it is cycling correctly. If no noise is heard, check all the wiring connections and the wiring schematic in Figure 5.

Chapter 3 Tuning

Your NOS Crosshair™ Plate Kit comes with three sets of nitrous and fuel jets. These jetting combinations are based upon 950 psi nitrous bottle pressure and 6.0 psi flowing fuel pressure. Operating with these pressure levels should yield safe and reliable power increases.

Using these jetting combinations with lower bottle pressure and/or higher fuel pressure may produce an excessively rich condition. This can result in a loss of power, excessive exhaust smoke (black), or misfiring (backfiring through the exhaust). This condition may also arise if your carburetor is jetted excessively rich.

If you experience any of these conditions, or you desire to maximize the power output from your system, you should refer to Chapter 5, "Advanced Tuning for Maximum Power".

CAUTION: Use of excessive bottle pressure and/or inadequate fuel pressure can result in an excessively lean condition. In extreme cases, this will produce catastrophic engine failure.

Table 4 Suggested Baseline Tuning Combinations

| HP | Jetting | | Baseline Pressures* | | Fuel Quality | Ignition Timing | Spark Plug Heat Range (NGK or Equiv) |
|-------|------------------|------|---------------------|------|--------------|-----------------|--------------------------------------|
| | N ₂ O | Fuel | N ₂ O | Fuel | | | |
| 200 | 2x52 | 2x49 | 950 | 6PSI | 110+ Octane | *** | -9 |
| 225 | 2x59 | 2x55 | 950 | 6PSI | 112+ Octane | *** | -10 |
| 250** | 2x65 | 2x61 | 950 | 6PSI | 112+ Octane | *** | -10 |
| 300** | 2x73 | 2x67 | 950 | 6PSI | 114+ Octane | *** | -10 |
| 325 | 2x85 | 2x77 | 950 | 6PSI | 114+ Octane | *** | -11 |
| 350** | 2x93 | 2x85 | 950 | 6PSI | 116+ Octane | *** | -11 |

***Baseline Pressures are set as follows:**

Fuel is set as a flowing pressure through the jet size used. Bottle pressure should be measured at the beginning of the run.

**** Jetting included with kit**

***** See section 5.1.2 for timing recommendations**

Chapter 4 Preparing for Operation

After you have completed the installation of your NOS Crosshair™ Plate system kit, perform the following checkout procedure before operating your vehicle.

NOTE: Before performing steps 1-4, make sure that the nitrous bottle valve is closed and the main nitrous supply line is empty.

1. Turn on the fuel pump.
2. Check all the fuel lines and fittings for leaks.
3. Start the engine.
4. Turn the arming switch on. Set the engine speed at 2000 RPM. Briefly depress the activation arm on the microswitch. Engine speed should decrease if the fuel delivery system is performing properly; if not, refer to Appendix A, Troubleshooting Guide.
5. Open the nitrous bottle valve.

NOTE: There should be no change in the engine idle speed. If it does change, refer to Appendix A, Troubleshooting Guide.

6. Inspect the nitrous lines and fittings for leaks.
7. ENJOY!

Chapter 5 Advanced Tuning for Maximum Power

5.1 Optimum Nitrous/Fuel Jetting

After performing the Baseline Tuning Suggestion—Chapter 3, if you desire to maximize the performance of your system, perform the following:

NOTE: Always perform the nitrous/fuel jetting modifications listed in Section 5.1.1 before attempting to optimize the ignition timing (Section 5.1.2). Improper nitrous/fuel jetting can mislead you when attempting to optimize the ignition timing.

5.1.1 Determining Optimum Nitrous/Fuel Jetting

The jetting combinations included in your kit are compromises intended to provide you with a safe starting point. They are intended to be used with 950 psi nitrous bottle pressure and 6.0 psi flowing fuel pressure. Optimum jetting can be determined using the following scheme.

1. Stabilize the nitrous bottle pressure at 950 psi.

2. Perform a dynamometer pull or a full throttle pass down the racetrack. Note the power reading or vehicle mph (not e.t.). Examine spark plugs for the indication of lean or rich nitrous/fuel conditions (refer to Figure 5 for tips on reading the spark plugs).
 - 2A. If spark plugs appear to be excessively rich, decrease the fuel jet size 1 step (ex. 65 to 64, 60 to 59, etc).
 - 2B. If spark plugs appear to be excessively lean, increase the fuel jet size 2 steps.
 - 2C. If spark plugs have a "like new" appearance on the porcelain and electrode, do not make a fuel jetting change.
3. Repeat steps 1 and 2 until the desired mixture is obtained.

How to Read Spark Plugs from a Nitrous Oxide Injected Engine

A. Correct Timing, Mixture, and Spark Plug Heat Range

Ground strap retains a "like new" appearance. Edges are crisp, with no signs of discoloration. Porcelain retains clear white appearance with no "peppering" or spotting.

B. Excessively Rich Mixture

Porcelain may be fuel stained, appearing brown or black. In extreme cases, ground strap, electrode, and porcelain may be damp with gasoline, or smell of fuel.

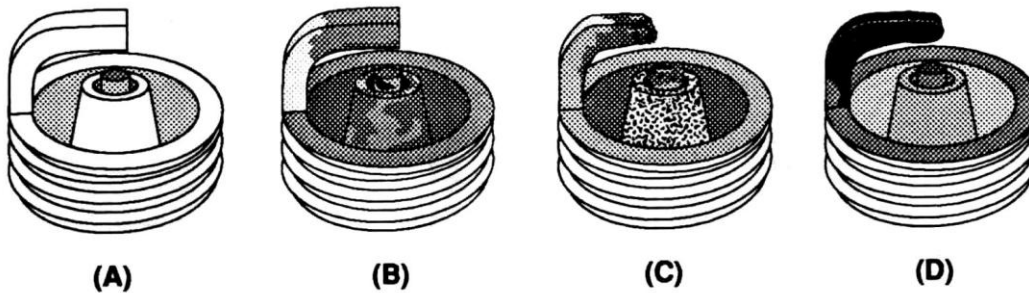
C. Detonation

Edges of the ground strap may become rounded. Porcelain has the appearance of being sprinkled with pepper, or may have aluminum speckles. During heavy detonation, the ground strap tip may burn off. This phenomena can result from excessive ignition timing, too high a heat range spark plug, or inadequate fuel octane.

D. Excessively Lean Mixture

Edges of the ground strap may become rounded. Under moderate overheating, the tip of the ground strap can discolor, usually turning purple, or the entire ground strap can become discolored.

Figure 5 Spark Plug Condition



5.1.2 Determining Optimum Ignition Timing

Determining the correct ignition timing for an engine using nitrous oxide is not cut and dry as it is dependent on many variables. Variables such as piston design, combustion chamber size and design, valve angle, fuel type, nitrous system design, and other factors all play a critical role as to what timing a specific engine/vehicle combination needs. When running larger amounts of nitrous, it is critical that the proper ignition timing be run as well as the proper spark plug heat range.

There is one specific timing that is most ideal for a specific engine and nitrous tune-up. In the end the best and correct method to determine timing in a car is to read the spark plugs.

Due to all these variables, it is difficult to recommend a generic timing for a given amount of nitrous. However the information below is intended to provide a starting point. After this, it is best to use the spark plugs as an indicator as to what timing a specific engine requires. The spark plugs also will help with nitrous and fuel jetting as well as fuel pressure needs.

One large variable that drives the ideal ignition timing is the "combustion efficiency". This is a combination of the cylinder head valve angle, combustion chamber size and burn characteristics, and piston dome design among other things. The more efficient the overall combustion efficiency is, the less timing is needed with nitrous. Note that when running large amount of nitrous, the old school rule of "take out two degrees per 50 HP of nitrous" is not ideal or wise.

The following timing recommendations below are based on nitrous HP amounts and a factor called "Combustion Efficiency". Combustion Efficiency takes into account the piston dome, chamber size, valve angle, and other factors. It is split up into three categories, "High", "Medium", and "Low". The following reviews these:

“High” – An engine with an exceptionally efficient and quick burn rate when running nitrous. Typically this would have a piston with a dish, flattop, or very small, flat dome design. Combustion chambers are small and valve angles are greatly reduced from the “factory” valve angle. Generic examples are engines with current high end race heads that have valve angles reduced 7-11 from stock, very small combustion chambers, and flat top piston that still maintain 13-14:1 compression ratios.

“Medium” – An engine with a small and efficient chamber. An example could be a SBC with an 18 degree head with a moderate piston dome.

“Low” – Older engines with factory valve angles. Pistons may have large domes to maintain high compression ratios. Large, open combustion chambers. An example would be a BBC engine with a 119cc open chamber and large dome piston.

The following are some initial recommendations for timing. Be conservative and read your plugs. Run an 1/8th mile hit rather than a ¼ mile pass to start to see initial plug strap readings. The “Plug” recommendation is based on NGK heat ranges. An equivalent Autolite or other brand can be used.

Note: These are for V8’s. For a 4 cylinder, cut these numbers in half.

Table 5 Suggested Baseline Timing Combinations

| Nitrous HP | Combustion Efficiency | Timing | NGK Spark Plug or Equiv. | Fuel/Octane |
|------------|-----------------------|--------|--------------------------|-------------|
| 100 | Low | 32 | Stock | 93+ |
| 100 | Medium | 30 | Stock | 93+ |
| 100 | High | 28 | Stock | 93+ |
| | | | | |
| 125 | Low | 31 | Stock/-7 | 100+ |
| 125 | Medium | 29 | Stock/-7 | 100+ |
| 125 | High | 27 | Stock/-7 | 100+ |
| | | | | |
| 150 | Low | 29 | -8 | 100+ |
| 150 | Medium | 27 | -8 | 100+ |
| 150 | High | 25 | -8 | 100+ |
| | | | | |
| 175 | Low | 27 | -9 | 110+ |
| 175 | Medium | 25 | -9 | 110+ |
| 175 | High | 23 | -9 | 110+ |
| | | | | |
| 200 | Low | 24 | -9 | 110+ |
| 200 | Medium | 22 | -9 | 110+ |
| 200 | High | 20 | -9 | 110+ |
| | | | | |
| 250 | Low | 22 | -10 | 112+ |
| 250 | Medium | 20 | -10 | 112+ |
| 250 | High | 18 | -10 | 112+ |
| | | | | |
| 300 | Low | 20 | -11 | 114+ |
| 300 | Medium | 18 | -11 | 114+ |
| 300 | High | 16 | -11 | 114+ |
| | | | | |
| 350 | Low | 18 | -11 | 114+ |
| 350 | Medium | 16 | -11 | 114+ |
| 350 | High | 14 | -11 | 114+ |
| | | | | |
| 400 | Low | 16 | -11 | 116+ |
| 400 | Medium | 14 | -11 | 116+ |
| 400 | High | 12 | -11 | 116+ |
| | | | | |
| 500 | Low | 12 | -11 | 116+ |
| 500 | Medium | 10 | -11 | 116+ |
| 500 | High | 8 | -11 | 116+ |
| | | | | |
| 600 | Low | 8 | -11 | 116+ |
| 600 | Medium | 6 | -11 | 116+ |
| 600 | High | 2 | -11 | 116+ |

Chapter 6 Routine Maintenance

6.1 Nitrous Solenoid Filter

When nitrous bottles are refilled they can become contaminated with debris, if the refiller does not have an adequate filter in his transfer pump mechanism. Contaminants in the bottle will eventually become lodged in the nitrous solenoid filter fitting.

You should periodically (after every 20-30 pounds of nitrous usage) examine the mesh in the nitrous filter for debris.

To clean the filter, follow the following steps:

1. Close the valve on the nitrous bottle. Empty the main nitrous feed line.
2. Disconnect the main nitrous feed line from the nitrous solenoid.
3. Remove the nitrous filter fitting from the nitrous solenoid.
4. Remove **all** Teflon paste debris from the solenoid inlet port threads and from the nitrous solenoid filter pipe threads.
5. Examine the mesh in the nitrous filter fitting for contaminants. Blow out debris with compressed air, if necessary.
6. Apply fresh Teflon paste to the nitrous filter pipe threads. Reinstall the filter in the nitrous solenoid.
7. Reconnect the main nitrous supply line to the nitrous solenoid.

6.2 Nitrous Solenoid Plunger

6.2.1 General Information

The seals used in NOS nitrous solenoid plungers are constructed from materials, which are designed to be used with nitrous oxide. When kept free from fuel contaminants or from overpressurization, they should provide trouble free performance.

You should periodically (after every 20-30 pounds of nitrous usage) examine the seal in the nitrous solenoid plunger.

Due to the Double-Cross Single-Stage System being a wet manifold style nitrous kit, the nitrous solenoid plunger will get exposed to fuel vapors. This is unavoidable. Fluctuations in the intake manifold pressure due to opening and closing of the throttle induce flow into the out of the NOS injector plate spray bars (fuel and nitrous), when the NOS system is not in use. Long term exposure of the nitrous solenoid plunger seal to the fuel vapors will result in swelling of the plunger seal. This will reduce the nitrous flow (causing an excessively rich nitrous/fuel condition and a loss of power).

The seals used in NOS nitrous solenoid plungers are designed to work at pressures up to 1100 psi. Exposing the plunger to excessive pressure (whether the vehicle is sitting or in-use) can result in the seal in the plunger swelling or in extreme cases disintegrating.

NOTE: The seals are designed so that if they fail due to overpressurization, they will not leak, the valve will just fail to flow nitrous oxide.

Swelling of the nitrous solenoid plunger seal will reduce nitrous flow (causing an excessively rich nitrous/fuel condition and a loss of power).

6.2.2 Nitrous Solenoid Plunger Disassembly and Inspection

1. Close the valve on the nitrous bottle.
2. Empty the main nitrous supply line.
3. Remove the retaining nut from the nitrous solenoid.
4. Remove the coil and housing from the nitrous solenoid base.
5. Unscrew the stem from the nitrous solenoid base. Do this by double nutting the stem, or by using a solenoid stem removal tool (NOS P/N 16666-SNOS). **Do not use pliers on the solenoid stem. Damage to the stem will result.**
6. Remove the stem, spring, and plunger from the solenoid base.

7. Examine the plunger seal for swelling. The seal surface should be flat, except for a small circular indentation in the center of the seal.

A fuel-contaminated seal will protrude from the plunger and be dome-shaped. A fuel-contaminated seal may return to its original shape if left out in the fresh air for several days. It may then be returned to service.

A seal, which has been overpressurized, may be dome-shaped, or the sealing surface may be flat with the seal protruding out of the plunger. A dome-shaped seal may return to its original shape if left out in the fresh air for several days. It may then be returned to service. A seal, which is flat, but protrudes from the plunger body has probably failed internally and should be replaced.

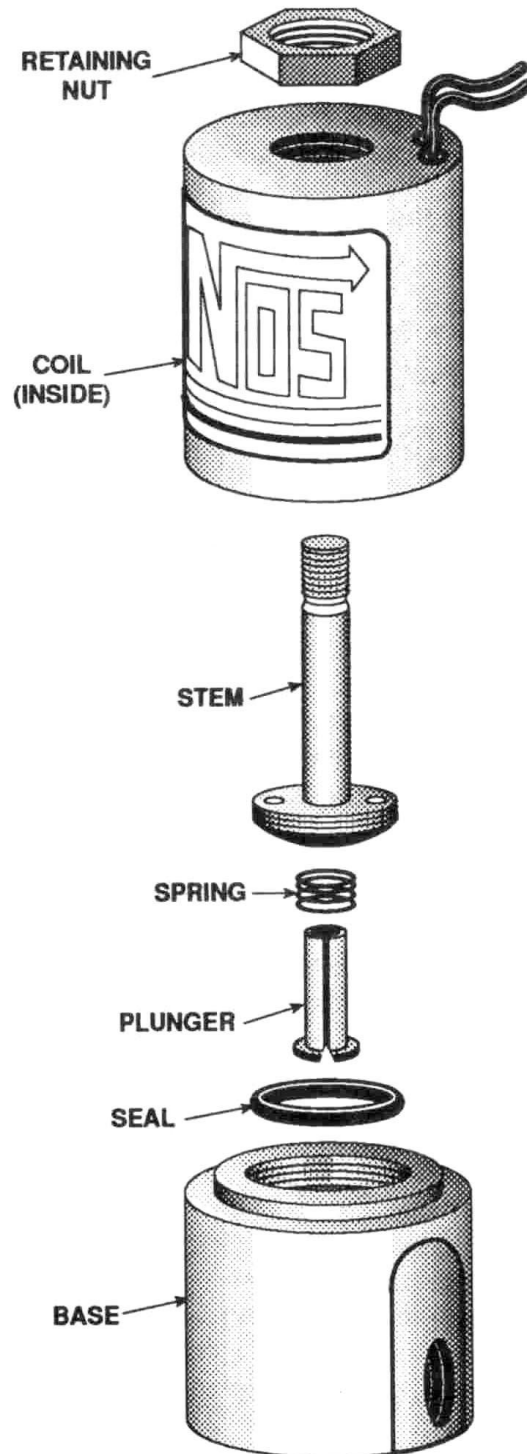


Figure 6 Exploded View of a Typical Solenoid

Appendix A Troubleshooting Guide

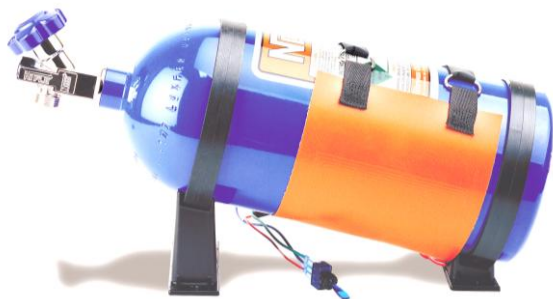
The troubleshooting chart on the following pages should help determine and rectify most problems with your installed NOS system. If you still need assistance determining or fixing problems, call the NOS Technical Support at 1-866-GOHOLLEY.

| PROBLEM | POSSIBLE CAUSES | DIAGNOSTIC PROCEDURE | CORRECTIVE ACTION |
|--|--|--|--|
| No change in engine speed when the fuel solenoid is activated (Preparing for Operation—Chapter 4). | System wired incorrectly. | Compare wiring to schematic (Figure 5). | Wire per instructions. |
| | Restricted fuel line. | Inspect fuel line for restrictions (crimped or plugged). | Remove restrictions. |
| | Malfunctioning fuel solenoid. | Turn arming switch ON. Activate microswitch. Solenoid should make “clicking” noise. | Repair/replace solenoid. |
| Change in engine speed when nitrous bottle valve is opened (Preparing for Operation—Chapter 4). | Malfunctioning nitrous solenoid. | Remove and inspect solenoid. | Repair/replace solenoid. |
| Engine runs rich when system is activated. | Bottle valve not fully opened. | Check bottle valve. | Open valve fully. |
| | Bottle mounted improperly. | Check bottle orientation. | Mount bottle properly. |
| | Plugged nitrous filter. | Inspect filter. | Clean/replace filter. |
| | Low bottle pressure. | Check bottle temperature. | Set bottle temperature to 80° to 85°F. |
| | Inadequate nitrous supply. | Weigh bottle. | Fill bottle. 1-800-99-REFILL |
| | Mismatched N ₂ O/fuel jetting. | Compare jetting to recommended values. | Install correct jets. |
| | Excessive fuel pressure. | Install fuel pressure gauge in the fuel line. Measure the pressure during acceleration with the system activated. | Regulate pressure down, or install smaller fuel jetting. |
| | Loose nitrous solenoid wiring. | Inspect the solenoid wiring. | Repair wiring. |
| Malfunctioning nitrous solenoid. | WARNING: <i>Solenoid discharges nitrous at a high rate. Don't inhale nitrous; death may occur. Skin contact may cause frostbite.</i> Close bottle valve. Disconnect the nitrous solenoid outlet port. Disconnect the solenoid (+) lead. Open the nitrous bottle valve. Briefly connect the +12V to the solenoid. Solenoid should discharge N ₂ O at a high rate. | Rebuild solenoid. | |
| No change in performance when system is activated. | System wired incorrectly. | Compare nitrous wiring to schematic (Figure 5). | Wire system per instructions. |
| | Loose ground wire(s). | Connect 12V test light to battery (+) terminal. Check for continuity at grounds noted in schematic. | Tighten/repair loose grounds. |
| | Malfunctioning arming switch. | With vehicle ignition ON, turn arming switch ON. Connect 12V test light to battery (-) terminal. Check for power at red wire on arming switch. | Replace arming switch. |
| | Malfunctioning throttle microswitch. | Turn arming switch OFF. Close throttle microswitch. Check for continuity between microswitch wiring terminals. | Replace throttle microswitch. |
| | Overly rich fuel condition. | Check for black smoke or backfiring through exhaust with system activated. | Install smaller fuel jet or decrease fuel pressure. |

Nitrous Oxide Accessories

NOS systems are calibrated for optimum performance with a bottle pressure of 950-1000 psi. The pressure will change with temperature. Heater kits are pressure-controlled to keep the bottle near 975 psi to provide optimum performance. **Bottle Heater (P/N 14169NOS -4AN)** is available for 10 & 15 lb. bottles.

Nitrous Bottle Kits (P/N 14761NOS to 14765NOS) Are a necessity to finish off your plate kit. They are available in 10lb, and 15lb blue bottles, and 12.8lb carbon fiber bottle kits. Each kit includes Bottle, Brackets, Feed line, bottle nut, and Teflon Washer.



P/N 14169NOS



P/N 14765NOS

The primary purpose of a **Purge Valve (P/N 16032NOS -6AN)** is to release trapped air or gaseous nitrous from the feed line(s). This helps to ensure consistent performance. And, purging looks cool too! We now have an **LED purge kit (P/N 16033NOS-4AN)**!



P/N 16033NOS



P/N 15975NOS

The **Launcher Progressive Controller (P/N 15975NOS)** is a necessity when it comes to putting the power to the ground. It is available as a fully programmable unit that is capable of handling up to 4 stages of independent nitrous control all while using a small touch screen.

NOS Technical Support
Phone: 1-866-GOHOLLEY
Fax: 1-270-781-9772

For online help, please refer to the Tech Service section of our website:
www.holley.com

© 2009 Nitrous Oxide Systems, Inc. All rights reserved.

199R10494
Revision Date: 2-11-13