

INSTALLATION INSTRUCTIONS FOR PART # 79471 UNIVERSAL REAR FLAP

Congratulations on your purchase of a high quality PUTCO product. Should you need any application or technical assistance feel free to call us at:
(800-247-3974)

Monday - Friday 8:00 a.m. - 5:00 p.m. (Central Standard Time)
Contact your PUTCO dealer for other quality accessories.

Putco Inc. - 216 West First Street - Story City, Iowa 50248

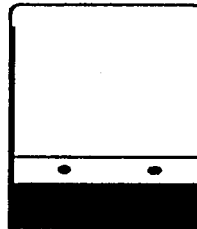
PLEASE READ ALL INSTRUCTIONS BEFORE BEGINNING INSTALLATION

STEP 1: Remove protective plastic coating from flaps.

STEP 2: Apply the protective black edge trim to **ONLY** the outer exposed edge. SEE FIGURE 1.

**BLACK
EDGE
TRIM**

FIGURE 1



STEP 3: Using C-clamps or Vise Grips, clamp the flap extension to flap. Install trusshead bolts and acorn nuts. SEE FIGURE 2.

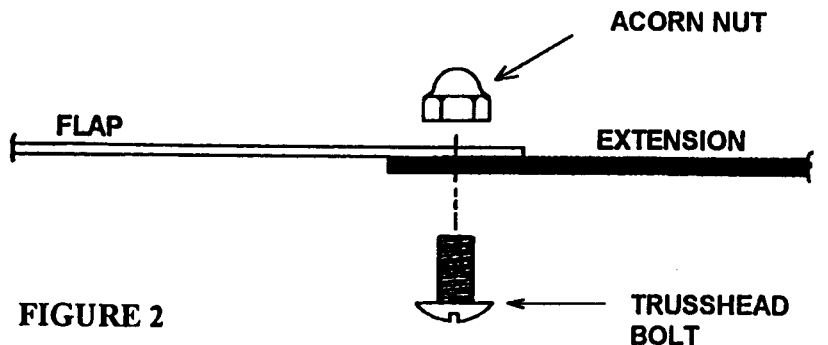


FIGURE 2

- STEP 4:** Using C-clamps or vise grips, clamp flap to the fenderwell flange. Make sure the flap is level and drill three 7/32" holes through flap and fenderwell flange. Then drill three 7/32" holes through flap ONLY and install # 14 metal screws. SEE FIGURE 3.
- STEP 5:** Attach twisted brace to inner fenderwell and flap with head hex bolts, lockwashers and nuts. SEE FIGURE 3.

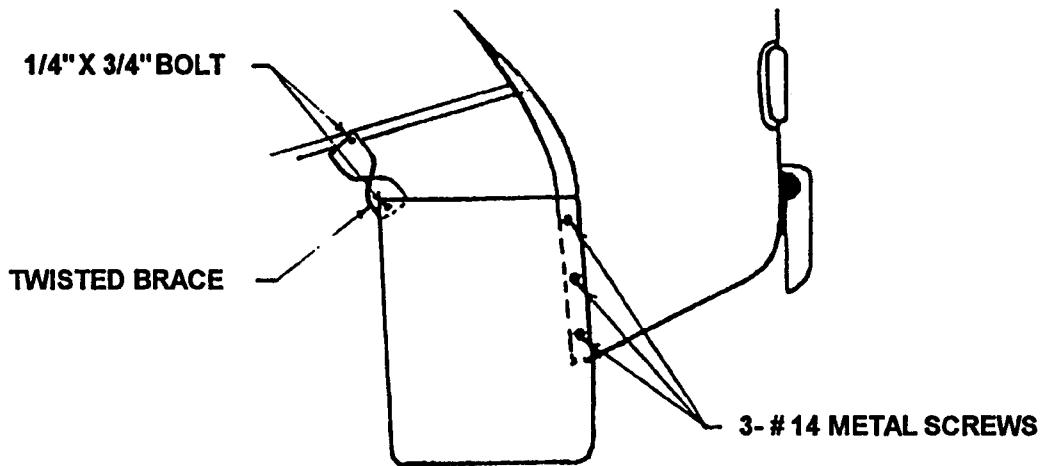
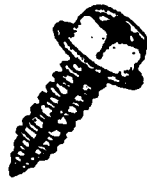


FIGURE 3

Items shown below are used in the assembly and installation of the Mudflaps



14 Metal Screw

TOOLS NEEDED

- POWER DRILL
- 9/16 WRENCH 9/16 SOCKET
- 13/32" DRILL BIT

LIMITED WARRANTY

Putco guarantees ALL its products against defects in workmanship or material for the time period of ONE YEAR. Any defects resulting from faulty material or workmanship will be warrantied by Putco with the replacement of defective part.

Damages caused by improper installation, misuse, collision, or neglect will not be warrantied by Putco. Putco will be sole judge of all warranties! Proof of purchase necessary for all warranty claims.