



DRIVE KIT – HONDA

P/N 25710

PARTS LIST

Drive Mandrel
Drive Pulley
Belt Guide
1/8" square Key
Stepped Steel Washer

3" bolt
Washer
(2) Dowel Pins
18 Tooth Pulley
Drive Belt

34 Tooth Pulley
(4) Allen Set screws
3/16" square Key

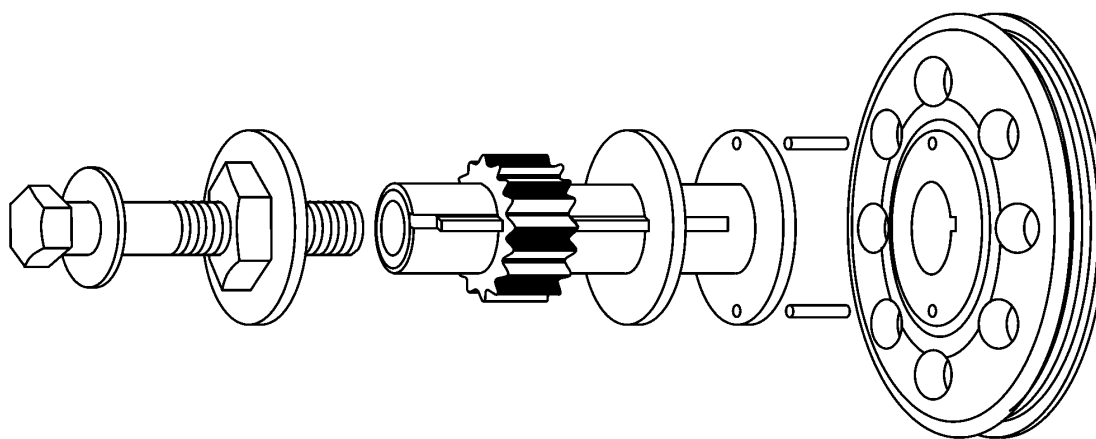
INSTALLATION

Refer to a Honda Service Manual for proper removal procedures. Wear safety glasses. Read all instructions before installation.

- Remove Harmonic Balancer and replace it with the large Drive Pulley supplied with this kit.
- Insert the 2 Dowel Pins into the Drive Pulley so that half of the pin is still visible.
- Following the diagram below, line up all components on the Drive Mandrel and install into the Drive Pulley. Make sure the Dowel Pins are lined up.

For maximum engagement of the components, file the end of the Key to fit into the curve of the Drive Mandrel.

The 34 Tooth Pulley, 4 Allen Set Screws and 3/16" square Key are not used on the Drive Mandrel, these parts are used on the Dry Sump Oil Pump.



**For Technical Assistance, Call Moroso's Tech Line at
(203) 458-0542, 8:30am – 5:00pm Eastern Time**

MOROSO PERFORMANCE PRODUCTS, INC
80 CARTER DR • GUILFORD, CT 06437
Phone: (203) 453-6571 • Fax: (203) 453-6906