

Please read and save these instructions. Read through this owner's manual carefully before using product. Protect yourself and others by observing all safety information, warnings, and cautions. Failure to comply with instructions could result in personal injury and/or damage to product or property. Please retain instructions for future reference.



## 29" STAINLESS STEEL TEAR DOWN TRAY

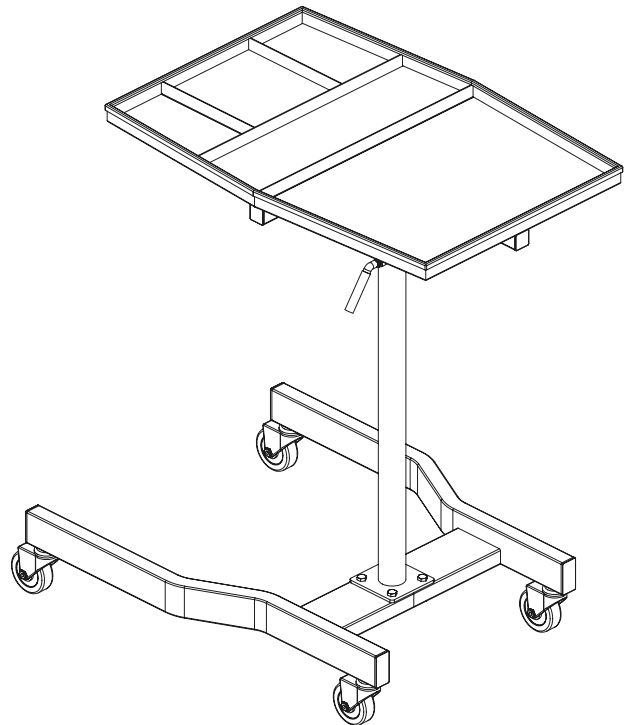
### FOR CUSTOMER SERVICE

Technical Question?

**CALL 1-866-458-2472**  
customerservice@oem-tools.com

### UNPACKING

After unpacking the unit, inspect carefully for any damage that may have occurred during transit. Check for loose, missing, or damaged parts. If any damage is observed, a shipping damage claim must be filed with the carrier. DO NOT use the OEMTOOLS™ Tear Down Tray if broken, bent, cracked or damaged parts (including labels) are noted. Any Tear Down Tray that appears damaged in any way, operates abnormally or is missing parts should be removed from service immediately. If you suspect that the Tear Down Tray was subjected to shock load (a load that was dropped suddenly, unexpectedly, etc.), immediately discontinue use until it has been checked by a factory authorized service center.



### ⚠ WARNING

The following safety information is provided as a guideline to help you operate your Tear Down Tray under the safest possible conditions. Any tool or piece of equipment can be potentially dangerous to use when safety or safe handling instructions are not known or not followed. The following safety instructions are to provide the user with the information necessary for safe use and operation. Please read and retain these instructions for the continued safe use of your tool. Failure to follow instructions listed below may result in serious injury. In addition, make certain that anyone who uses the equipment understands and follows these safety instructions as well.

### Explanation of Safety Signal Words

**⚠ WARNING:** Indicates a potentially hazardous situation which, if not avoided, could result in death or serious injury.

**⚠ CAUTION:** Indicates a potentially hazardous situation which, if not avoided, may result in minor or moderate injury.

**CAUTION:** Used without the safety alert symbol indicates a potentially hazardous situation which, if not avoided, may result in property damage.

**NOTES:** Provide clarity and helpful information.

Thank you very much for choosing an OEMTOOLS™ Product!

For future reference, please register your new tool at [www.oem-tools.com](http://www.oem-tools.com) and complete the owner's record below:

**Model:** \_\_\_\_\_ **Purchase Date:** \_\_\_\_\_

Save the receipt, warranty and these instructions. It is important that you read the entire manual to become familiar with this product before you begin using it. This product is designed for certain applications only. OEMTOOLS™ cannot be responsible for issues arising from modification. We strongly recommend that this product is not modified and/or used for any application other than that for which it was designed. If you have any questions relative to a particular application, DO NOT use the product until you have first contacted customer service to determine if it can or should be performed on the product.



## 29" STAINLESS STEEL TEAR DOWN TRAY

### **!** IMPORTANT INSTRUCTIONS AND SAFETY RULES

1. Know your tool. Read this manual carefully. Learn the tool's applications and limitations, as well as potential hazards specific to it.
2. Maintain a safe working environment. Keep the work area well lit. Make sure there is adequate surrounding workspace. Keep the work area free of obstructions, grease, oil, trash, and other debris. DO NOT use this product in a damp or wet location.
3. Keep children away. All children should be kept away from the work area. Never let a child handle a tool without strict adult supervision.
4. DO NOT operate this tool if under the influence of alcohol or drugs. Read warning labels on prescriptions to determine if your judgment or reflexes are impaired while taking drugs. If there is any doubt, DO NOT attempt to operate.
5. Use safety equipment. Eye protection should be worn at all times when operating this tool. Use ANSI approved safety glasses. Everyday eyeglasses are NOT safety glasses. Dust mask, non-skid safety shoes, hard hat or hearing protection should be used in appropriate conditions.
6. Wear proper apparel. Loose clothing, gloves, neckties, rings, bracelets or other jewelry may present a potential hazard when operating this tool. Keep all apparel clear of the tool.
7. DO NOT overreach. Keep proper footing and balance at all times when operating this tool.
8. Check for damage. Check your tool regularly. If part of the tool is damaged, it should be carefully inspected to make sure that it can perform its intended function correctly. If in doubt, the part should be repaired. Refer all servicing to a qualified technician. Consult your dealer for advice.
9. Keep away from flammables. DO NOT attempt to operate this tool near flammable materials or combustibles. Failure to comply may cause serious injury or death.
10. Store idle tools out of the reach of children and untrained persons. Tools may be dangerous in the hands of untrained users.
11. Maintain tools with care.
12. Keep tools dry and clean.
13. Properly maintained tools are less likely to bind and are easier to control. DO NOT use a damaged tool. Tag damaged tools "DO NOT use" until repaired.
14. Check for misalignment or binding of moving parts, breakage of parts, and any other condition that may affect the tool's operation.
15. If damaged, have the tool serviced before using. Many accidents are caused by poorly maintained tools.
16. Use only accessories that are recommended by the manufacturer for your model. Accessories that may be suitable for one tool may become hazardous when used on another tool.

17. Tool service must be performed only by qualified repair personnel. Service or maintenance performed by unqualified personnel could result in an injury.
18. When servicing a tool, use only identical replacement parts. Use of unauthorized parts or failure to follow maintenance instructions may create a risk of injury.
19. Maintain labels and nameplates on this product. These carry important information. If unreadable or missing, contact OEMTOOLS™ for a replacement.
20. Keep this tray dry, clean, and free from brake fluid, oil, and grease.
21. Before use, read and understand all warnings, safety precautions, and instructions as outlined in the vehicle manufacturer's service manual. It is beyond the scope of this manual to properly describe the correct procedure and test data for each vehicle.

### PRODUCT DESCRIPTION

The OEMTOOLS™ 29" Stainless Steel Tear Down Tray is an adjustable-height tool tray for transporting tools and small parts to your workspace.

### PRODUCT SPECIFICATIONS

<b>Tray Dimensions:</b>	29" (L) x 20" (W) x 1.5" (D)
<b>Product Weight:</b>	33.29 Lbs.
<b>Height Range:</b>	34" to 47.6"
<b>Max Capacity at Min Height:</b>	165.35 Lbs. (75 kg)
<b>Max Capacity at Max Height:</b>	110.23 Lbs. (50 kg)
<b>Tray Material:</b>	Stainless Steel
<b>Tray Lining Insert Material:</b>	EVA Custom Fit Foam

### SPECIFIC SAFETY INSTRUCTIONS AND WARNINGS

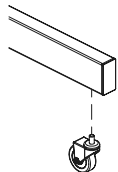
1. Wear Safety Glasses and Gloves while assembling this product.
2. DO NOT stand on this product. You may fall causing bodily injury.
3. DO NOT alter this product.
4. Be careful of sharp edges.
5. Keep the product on a level surface. This product may become unstable and tip if stored on an unstable surface.
6. DO NOT exceed rated weight capacity. Excessive weight can cause tray failure and possible injury. Reference product specs for weight capacity at min and max height.
7. Keep clothing, jewelry, fingers and extremities away from the pinch points while assembling or adjusting the tray height.



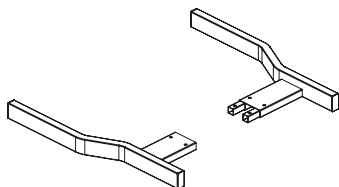
# 29" STAINLESS STEEL TEAR DOWN TRAY

## ASSEMBLY INSTRUCTIONS

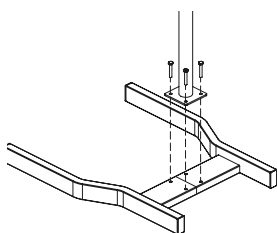
1. Turn both Base Legs (A) upside down, and screw the Casters (B) into the threaded hole at the ends of the legs.



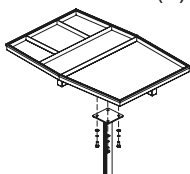
2. Slide the perpendicular struts of the Base Legs (A) together; 4 holes should align.



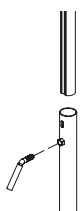
3. Place the base of the Lower Support Column (C) onto the combined struts from Step # 2; align the holes on the base plate with the holes on the struts from Step #2.



4. Fasten Bolts (D) into each hole of the Lower Column Base Plate, Step #3 assembly.
5. Take the Tray (E) and turn upside down on a flat protected surface, place the Upper Support Column (F) onto the bottom of the tray and align the holes, fasten together with the Bolts (G), Washers and Lock Washers Combination (H).



6. With the tray facing upward, insert the bottom of the Upper Support Column from the Step #5 assembly into the top of the lower support column from Step #4 assembly.
7. Screw the Height Adjustment Fastener (I) into the lower support column until finger tight.



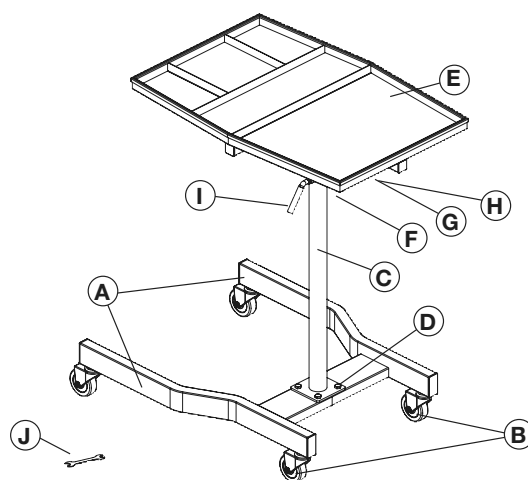
## SUGGESTED TOOLS FOR ASSEMBLY

1. Metric Socket and Ratchet
2. Combination Wrench
3. Adjustable Wrench

## HEIGHT ADJUSTMENT

1. Clear all contents from the tray.
2. Hold the Upper Assembly Steady (Assembly Step #5), while loosening the Height Adjustment Fastener (I) by turning counterclockwise.
3. Lower or raise the tray to the desired height.
4. While still supporting the weight of the tray, tighten the Height Adjustment Fastener (I).

## PRODUCT LAYOUT



## PARTS LIST

FIGURE	PART	QUANTITY
A	Base Legs	2
B	Castors	4
C	Lower Support Column	1
D	Bolts for Lower Column Base Plate	4
E	Tray	1
F	Upper Support Column	1
G	Bolts for Tray Attachment	4
H	Washers and Lock Washers for Upper Support Column	4 (Each)
I	Height Adjustment Fastener	1
J	Assembly Wrench	1



## 29" STAINLESS STEEL TEAR DOWN TRAY

### OEMTOOLS™ ONE YEAR WARRANTY

If for up to one year from the date of purchase of this OEMTOOLS™ product, you find any defect in material or workmanship, through normal usage, return it to the place of purchase, or to OEMTOOLS™ for repair or replacement at our discretion. In order to obtain this service, send your tool and proof of purchase, transportation pre-paid, to OEMTOOLS™ Q.A. Dept., 3580 E. Raines Road #3, Memphis, TN 38118. We will not be responsible for lost or damaged goods during transportation; please insure your package. If our inspection verifies the defect, we will either repair or replace the product at our election, or we may elect to refund the purchase price if we cannot readily and quickly provide you with a replacement. We will return repaired products at our expense, but if we determine there is no defect, or that the defect resulted from causes not within the scope of our warranty, then you must bear the cost of returning the product.

OEMTOOLS™ does not provide warranty for products labeled other than OEM® or OEMTOOLS™. OEMTOOLS™ will not provide any warranty for products subjected to abnormal use. Abnormal use includes, but is not limited to, abuse, accident, alteration, neglect, and unauthorized or unreasonable use or repairs. This warranty does not cover bits, blades, files, batteries, or calibration. We recommend that you maintain your tools and sharpen or replace blades, bits, files, and batteries as necessary. OEMTOOLS™ reserves the right to make any changes in construction or design at any time without any obligation in incorporating such changes to tools or equipment previously sold.

OEMTOOLS™ makes every effort to ensure that its products meet high quality and durability standards, and warrants to the original purchaser that this product is free from defects in materials and workmanship for the period of one year from the date of purchase. This warranty does not apply to damage due directly or indirectly to misuse, abuse, negligence or accidents, repairs or alterations outside our facilities, criminal activity, improper installation, normal wear and tear or to lack of maintenance.

We shall in no event be liable for death, injuries to persons or property, or for incidental, contingent, special or consequential damages arising from the use of our product. Some states do not allow the exclusion or limitation of incidental or consequential damages, so the above limitation of exclusion may not apply to you. THIS WARRANTY IS EXPRESSLY IN LIEU OF ALL OTHER WARRANTIES, EXPRESS OR IMPLIED, INCLUDING THE WARRANTIES OF MERCHANTABILITY AND FITNESS. This warranty gives you specific legal rights, and you may also have other rights, which vary from state to state.

Don't forget to register your new OEMTOOLS™ product at [www.oem-tools.com](http://www.oem-tools.com).

## CONTACT US

3580 E. Raines Road, Suite 3, Memphis, TN 38118  
Tel: 1-866-458-2472  
[www.oem-tools.com](http://www.oem-tools.com)