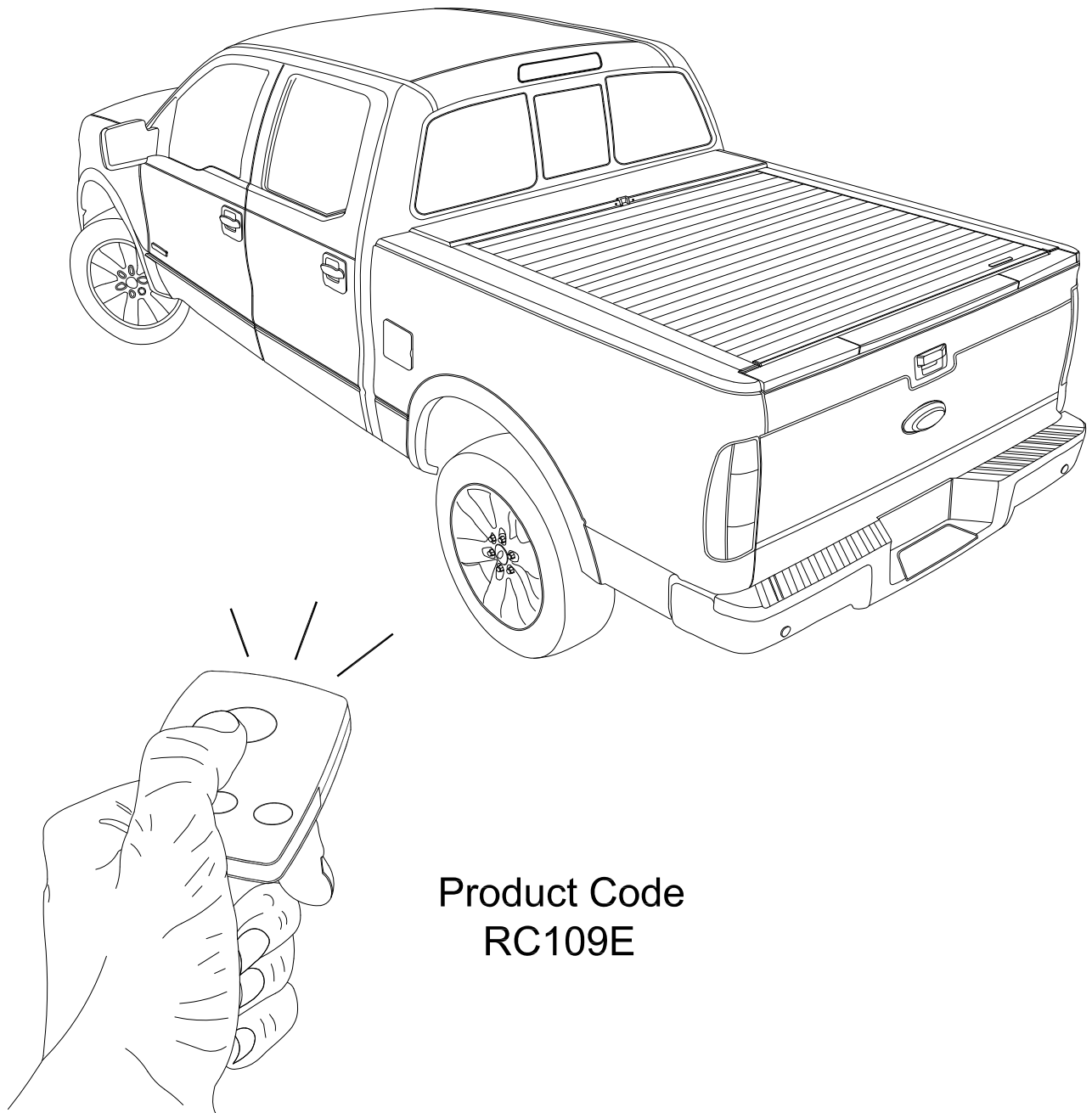




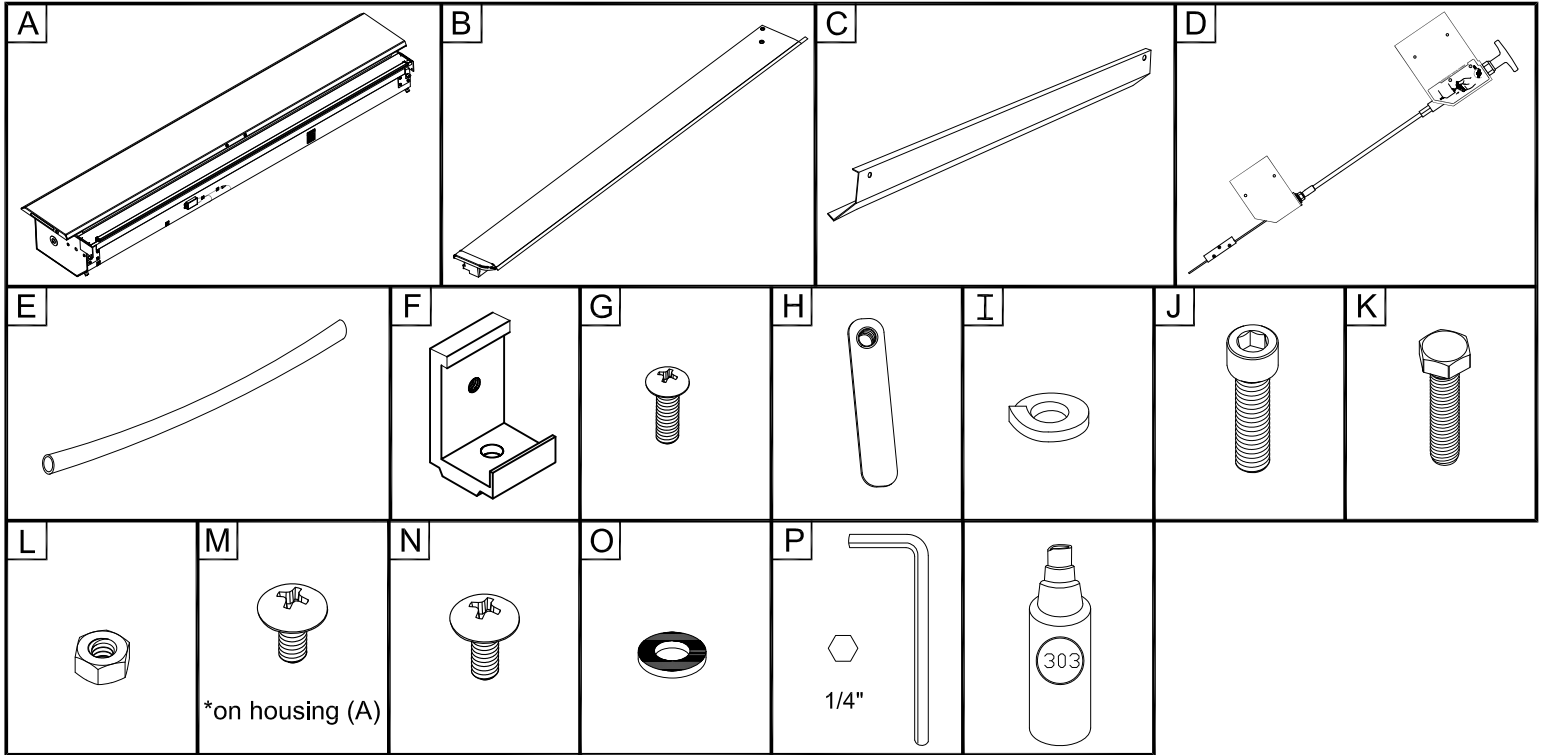
# E Series Installation Guide Ford Super Duty



Product Code  
RC109E

# Parts List

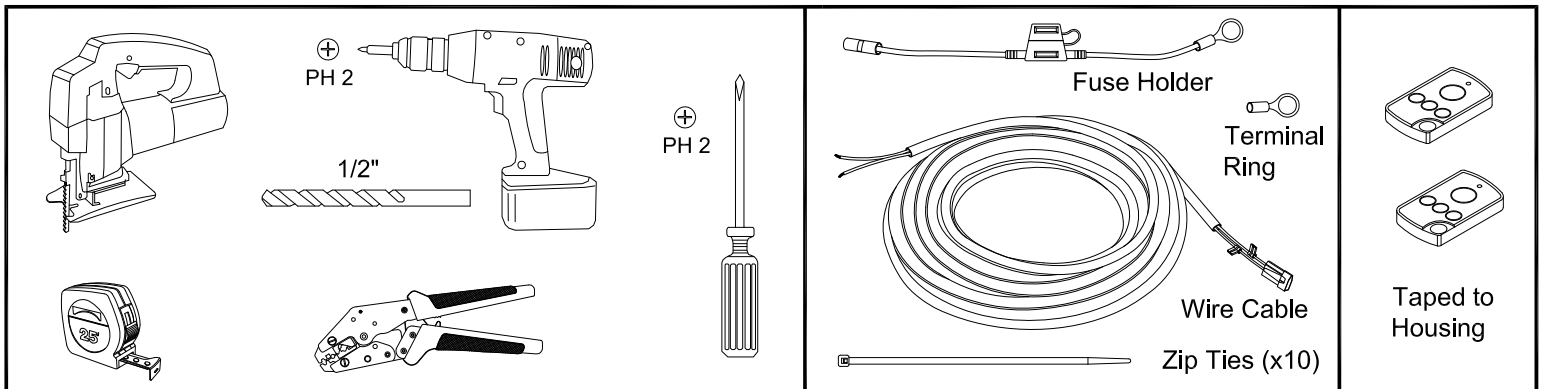
Item	Part Name	Qty.	Item	Part Name	Qty.	Item	Part Name	Qty.
A	Housing	1	G	#10-24 Screw	6	M	1/4" Lid Screw	2
B	Track	2	H	Cargo Nut	6	N	1/4-20 x 3/8" Screw	4
C	Cargo Shield	1	I	5/16" Lock Washer	8	O	Rubber Washer	4
D	Override Cable	1	J	5/16" x 1" Cap Screw	8	P	Allen Wrench (1/4")	1
E	Drain Tube	2	K	1/4-20 x 1" Bolt	2		303 Vinyl Protector	1
F	Bed Clamp	8	L	1/4-20 Hex Nut	2			



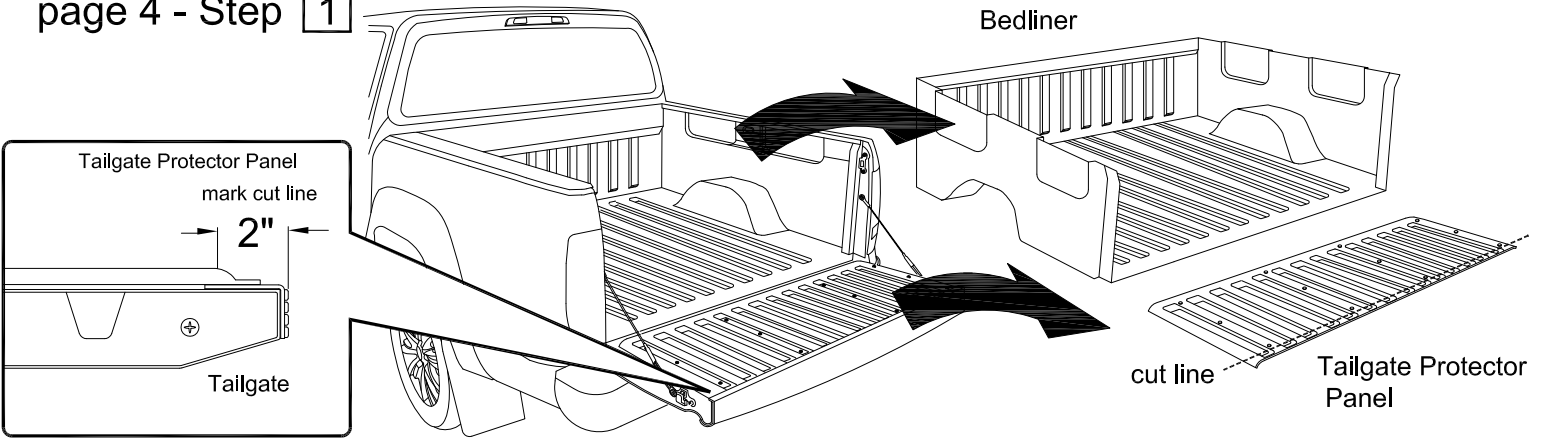
## Tools Needed

## Power Wire / Connectors

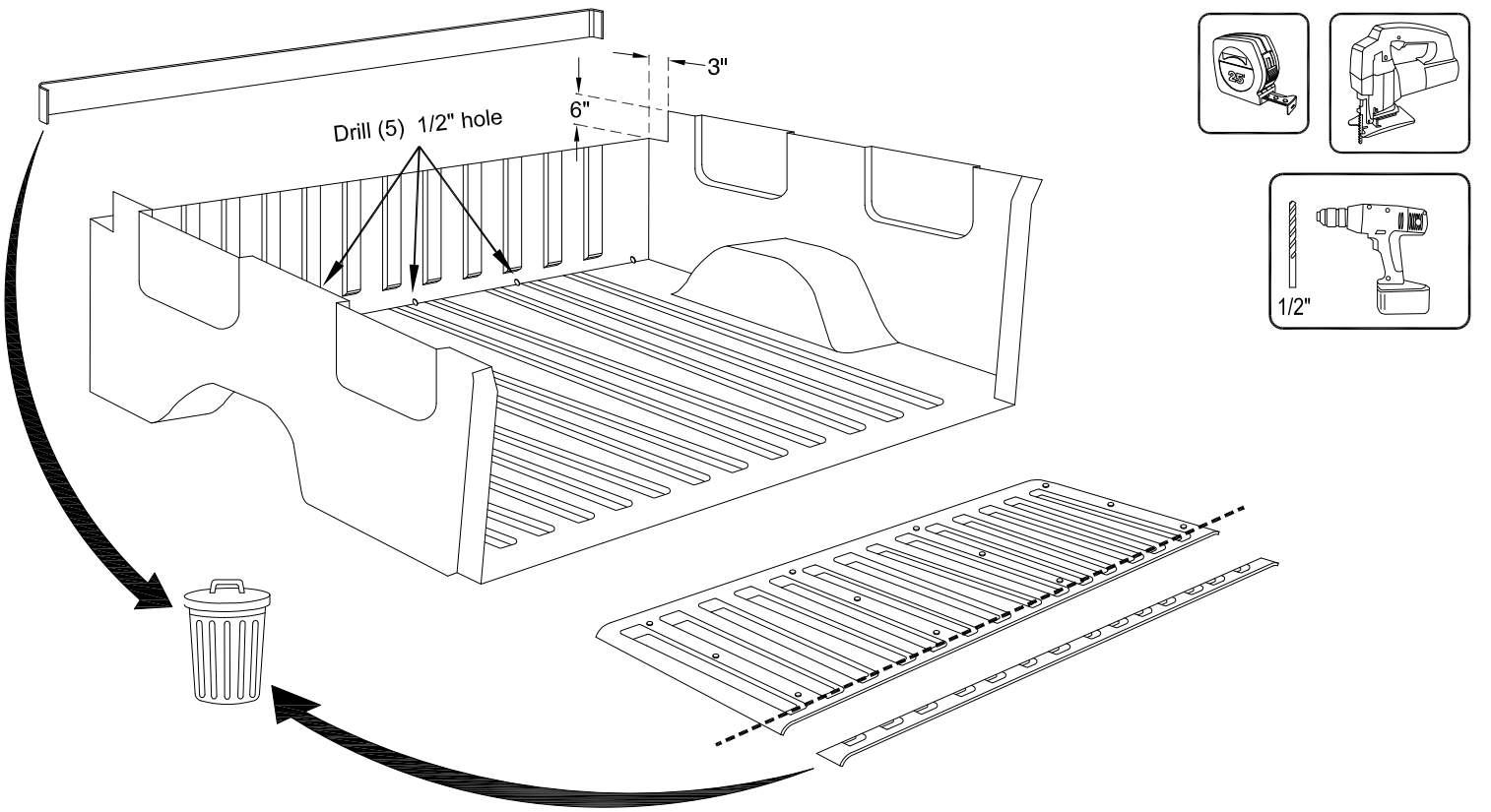
## Remotes



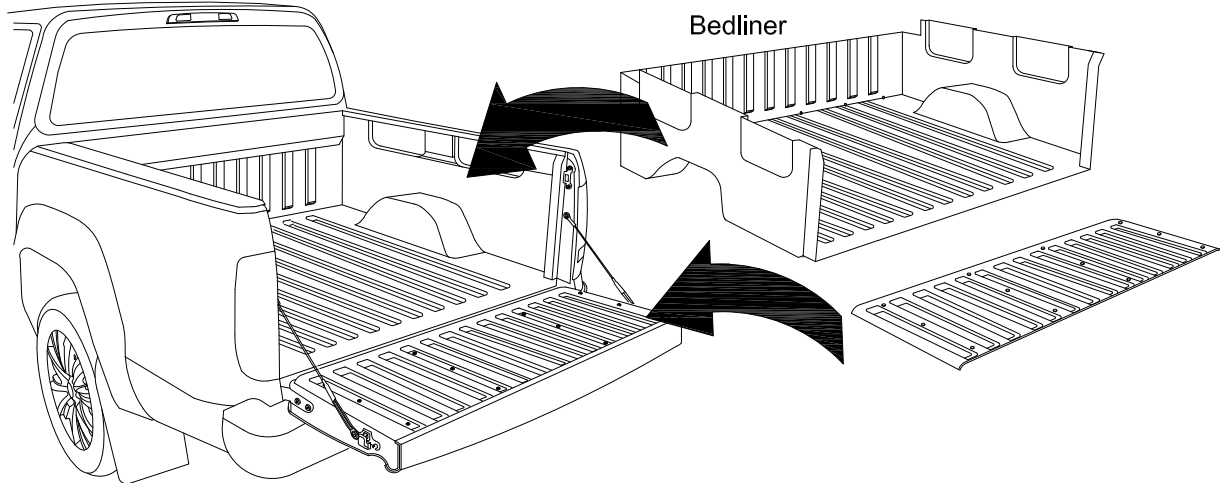
1a If no plastic bedliner present proceed to page 4 - Step 1



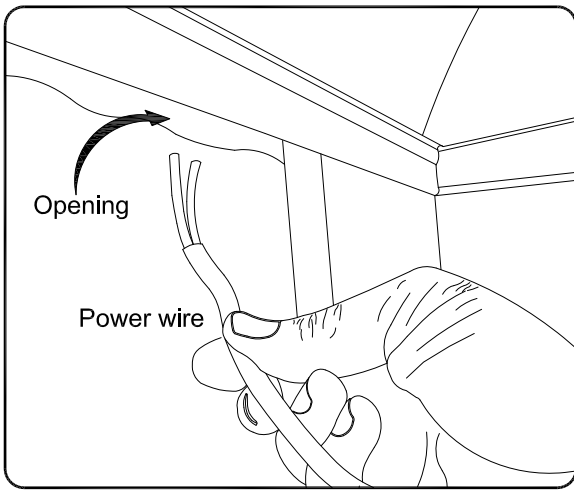
1b



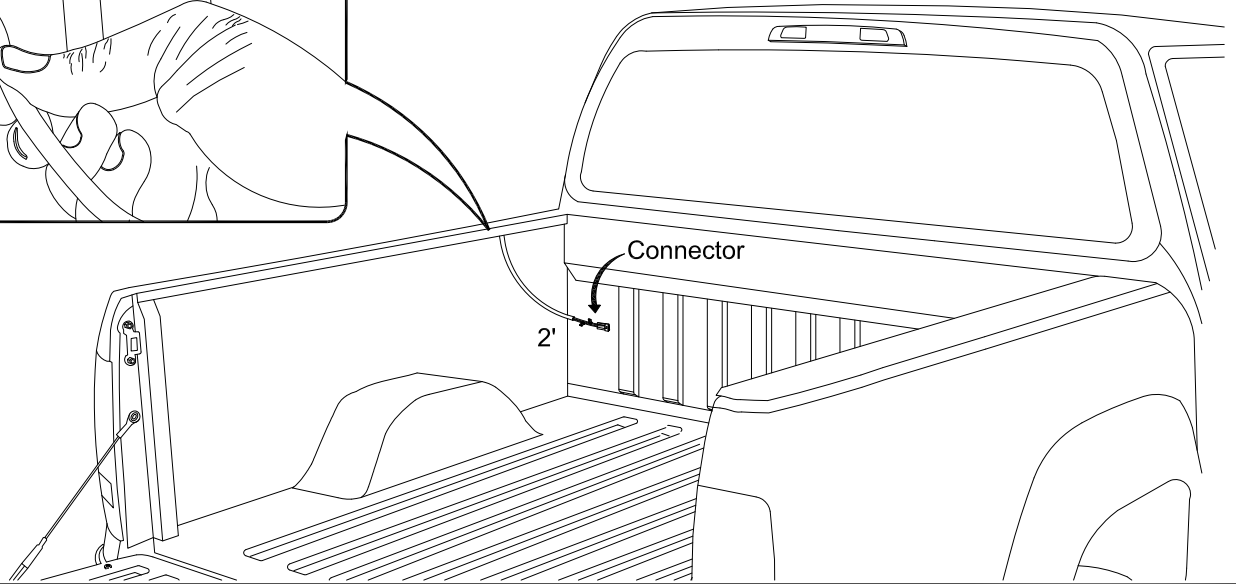
1c



1

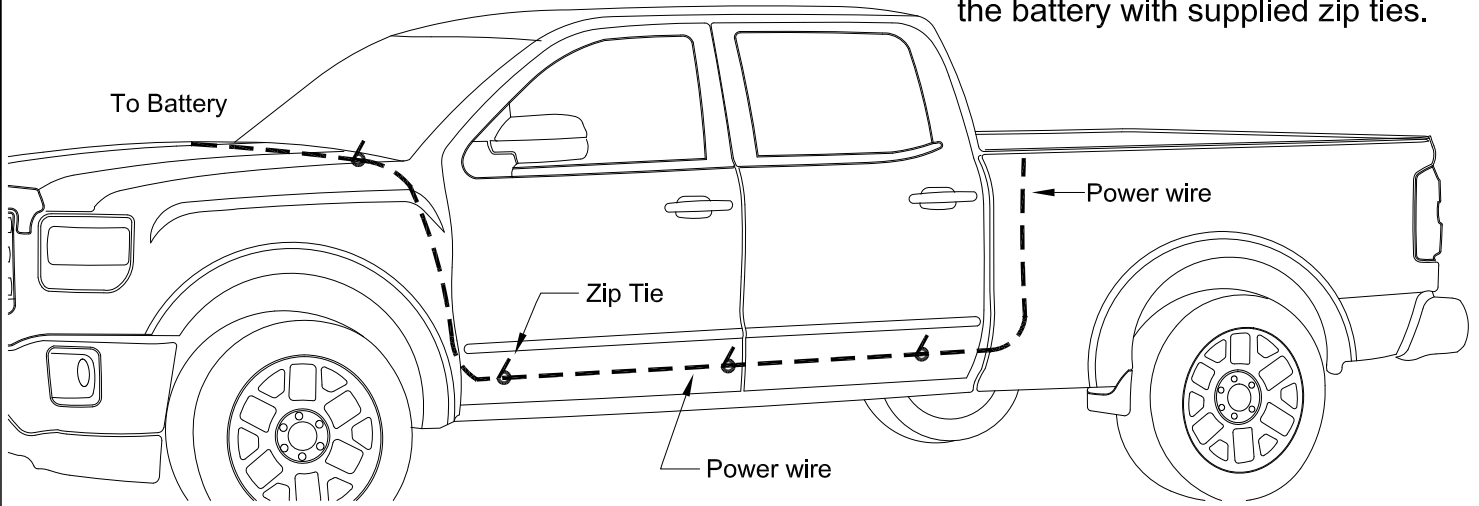


Feed end of power wire through opening on drivers side of truck cap, then down through the side panel to the ground.  
Leave 2 feet of power wire in the truck bed.



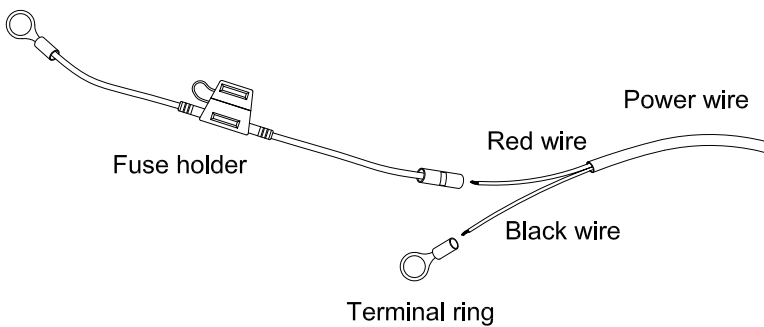
2

Feed power wire under the truck securing to an existing wire harness leading to the battery with supplied zip ties.

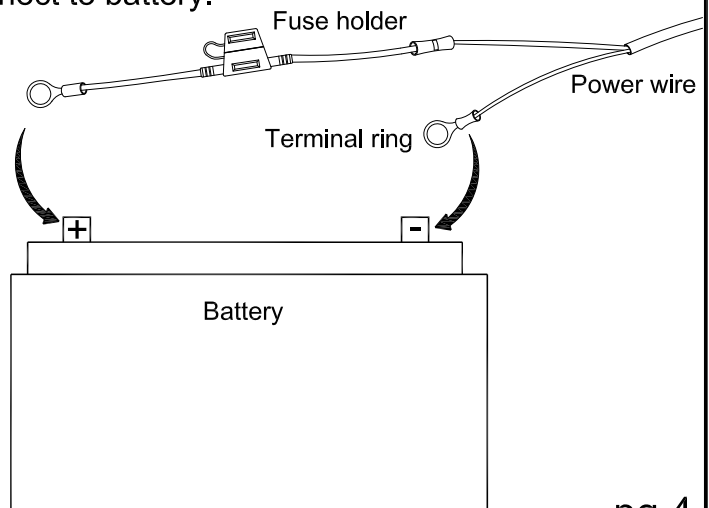


3

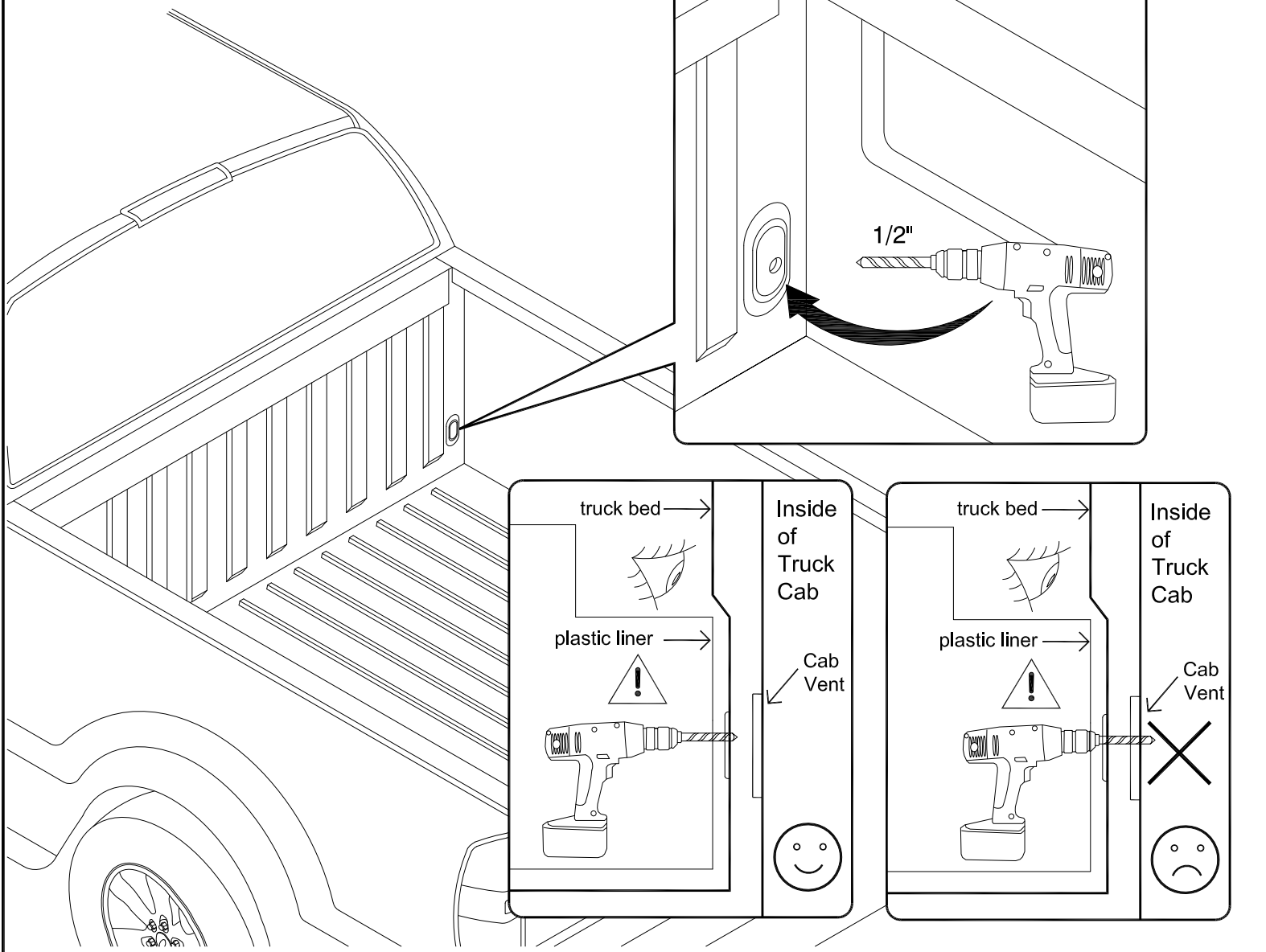
Crimp the fuse holder to the RED wire and the terminal ring to the Black wire.



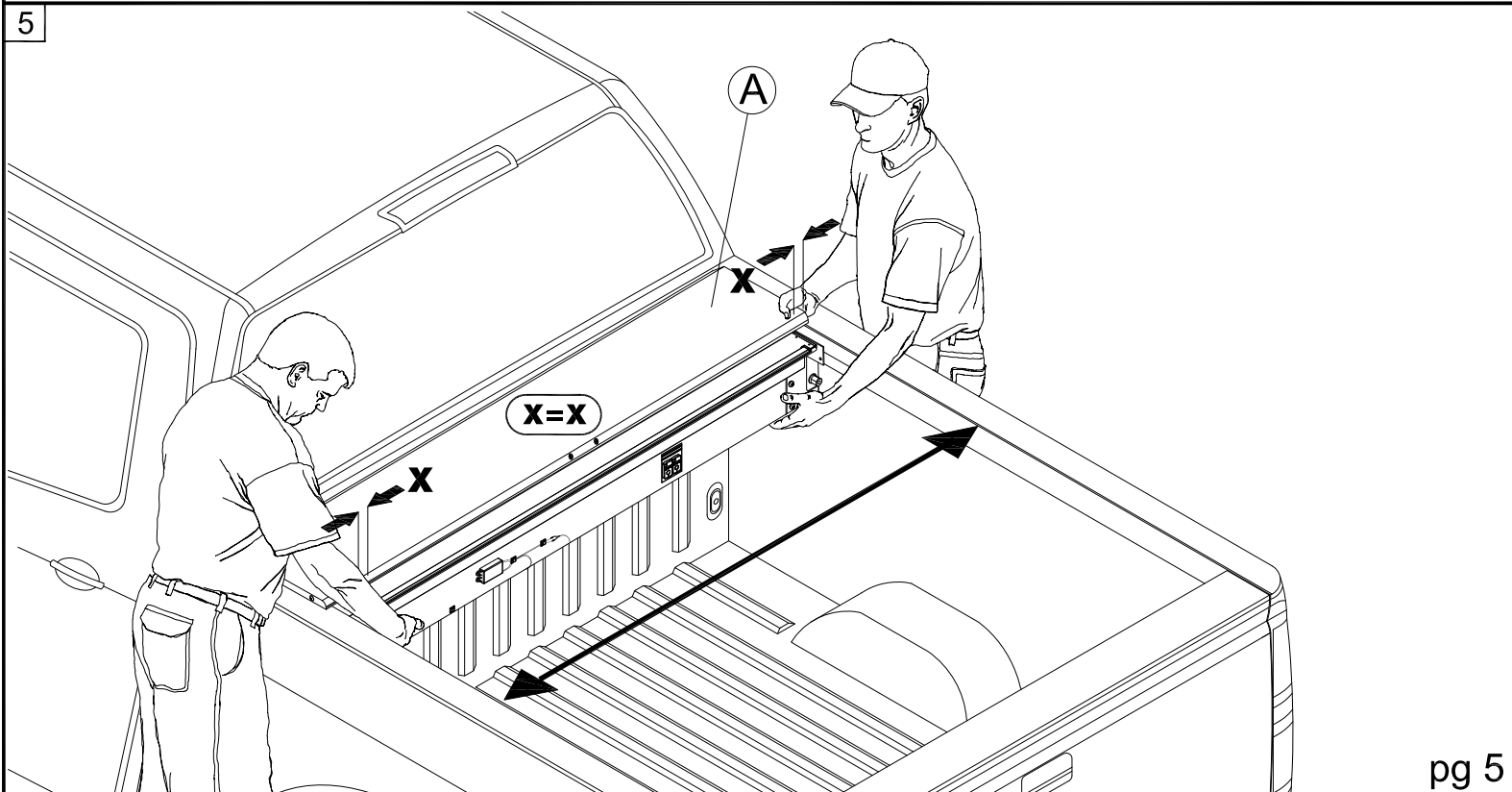
Connect to battery.



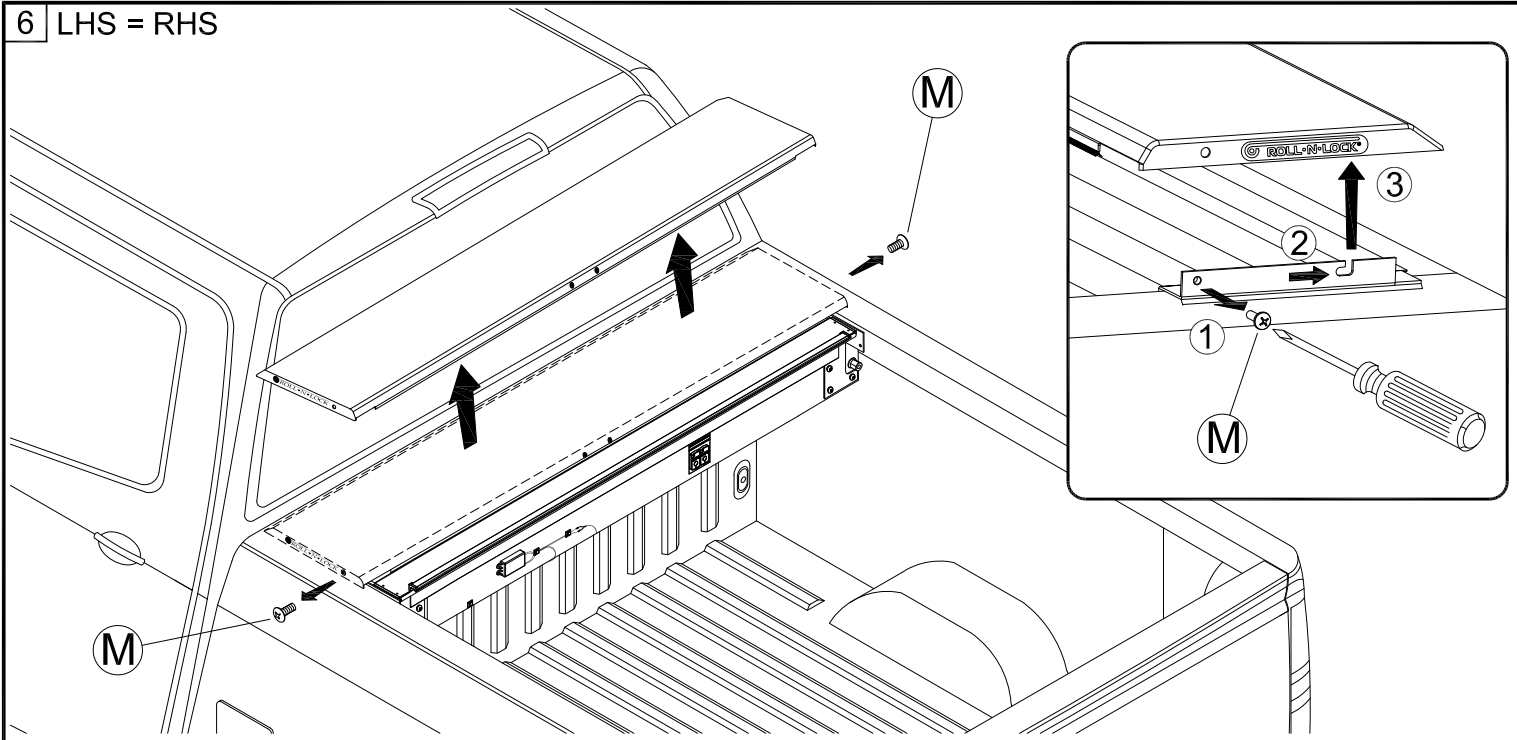
4 LHS = RHS



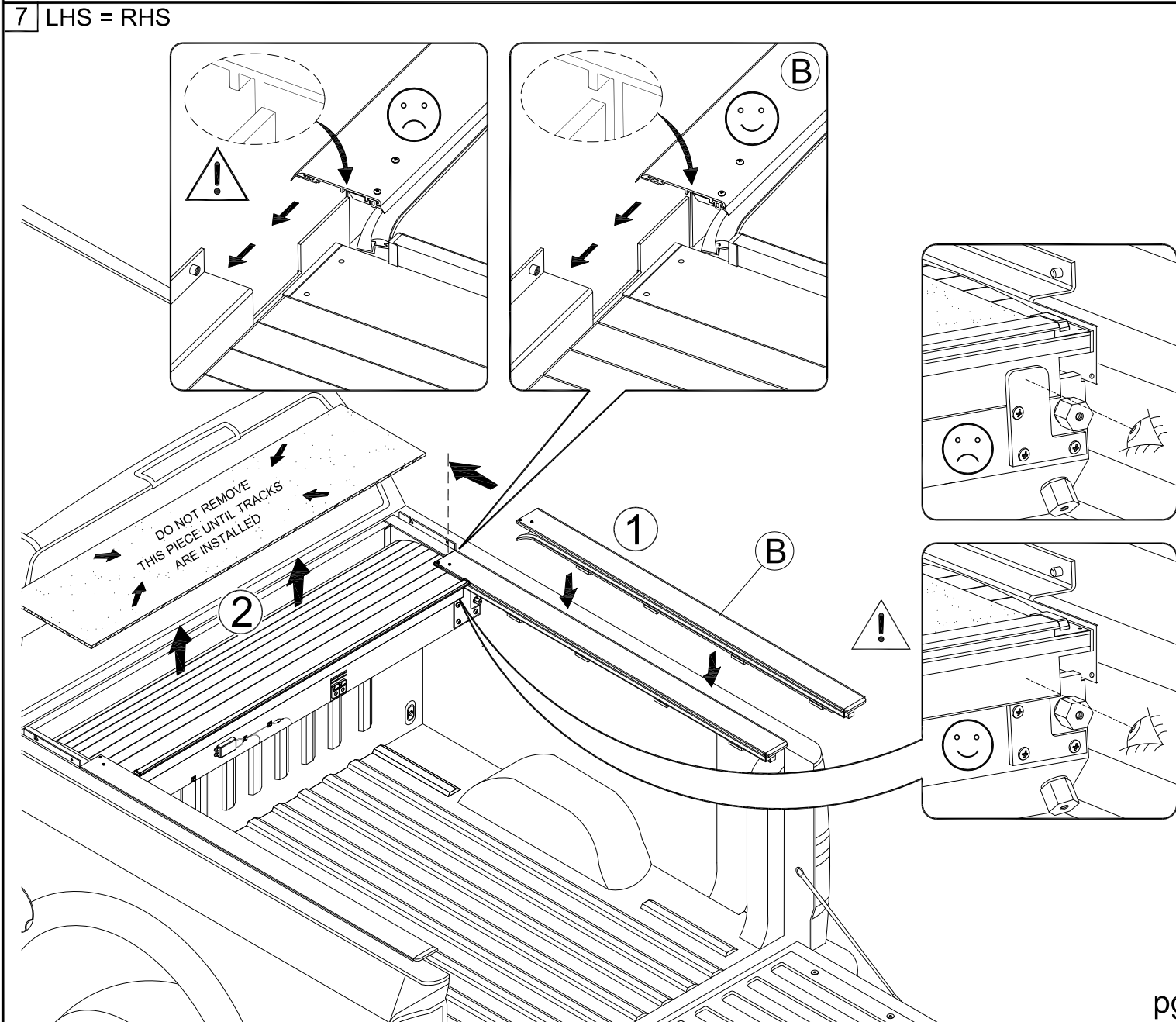
5



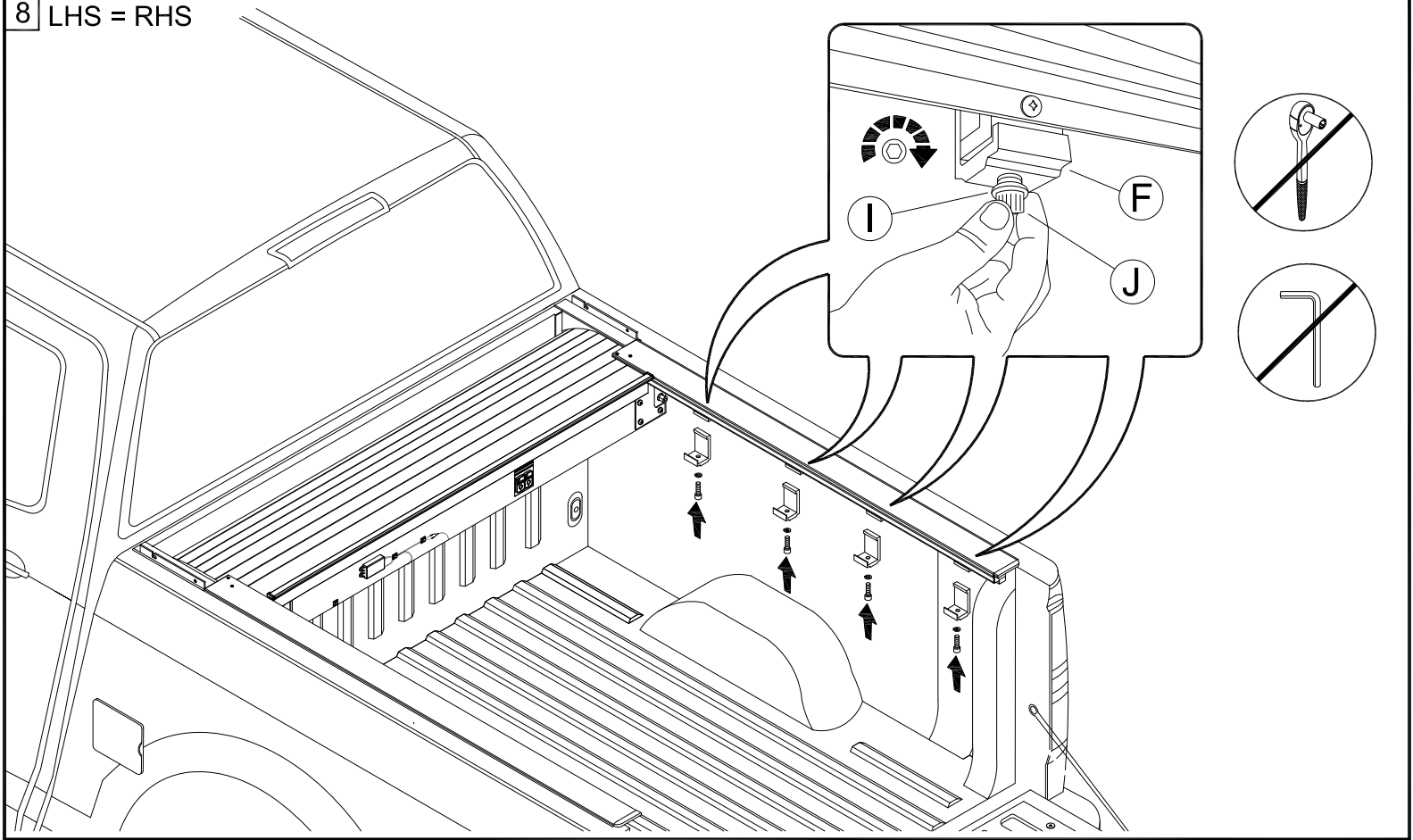
6 LHS = RHS



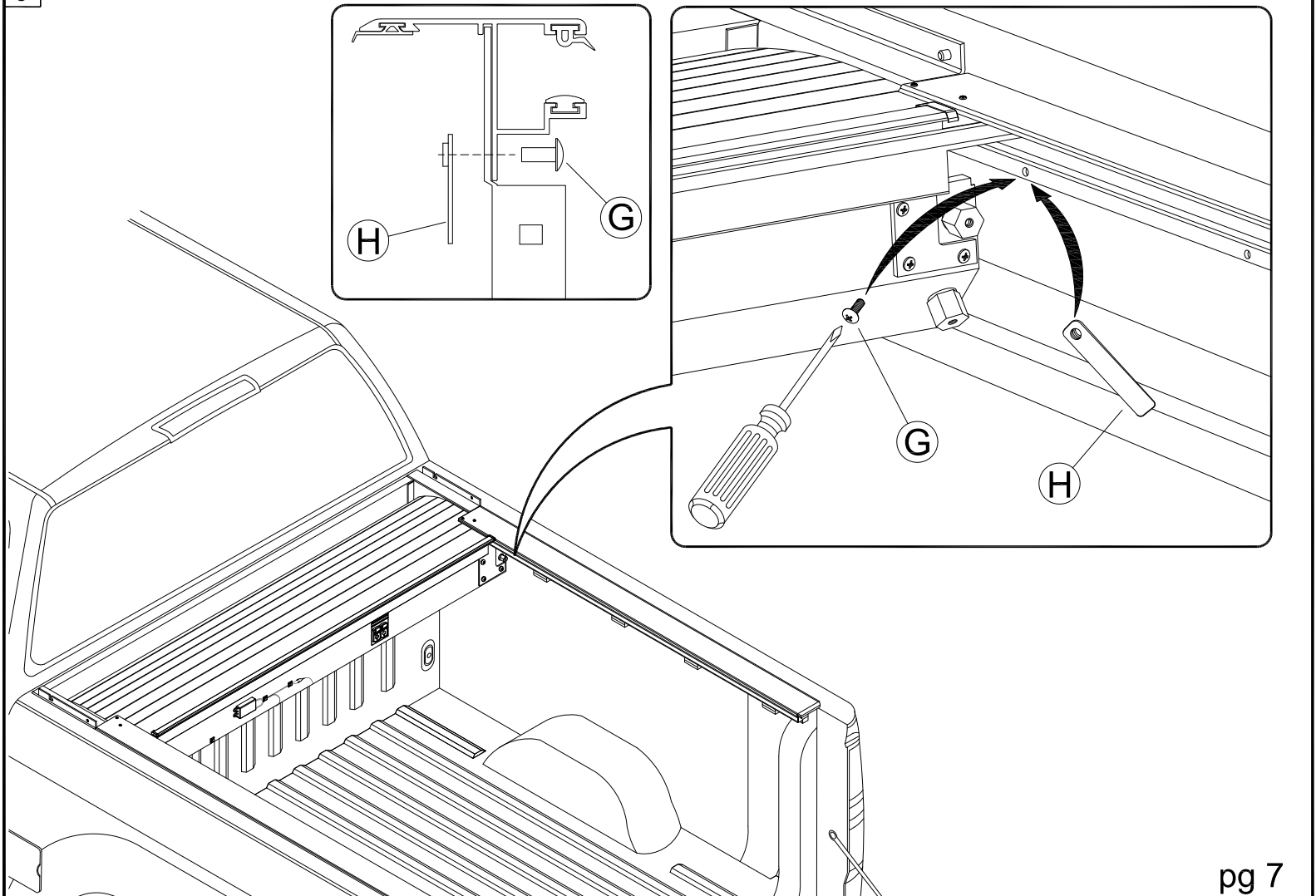
7 LHS = RHS

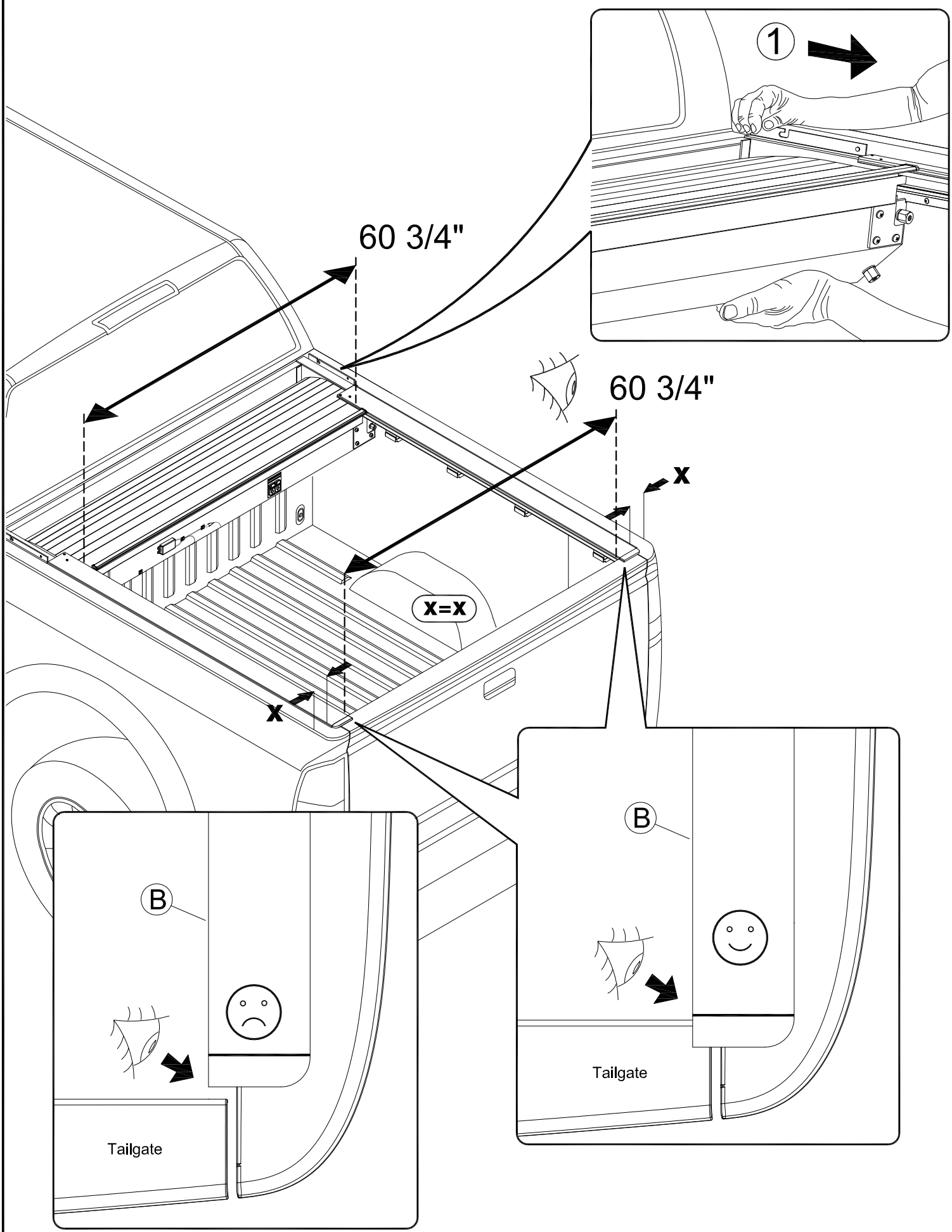


8 LHS = RHS

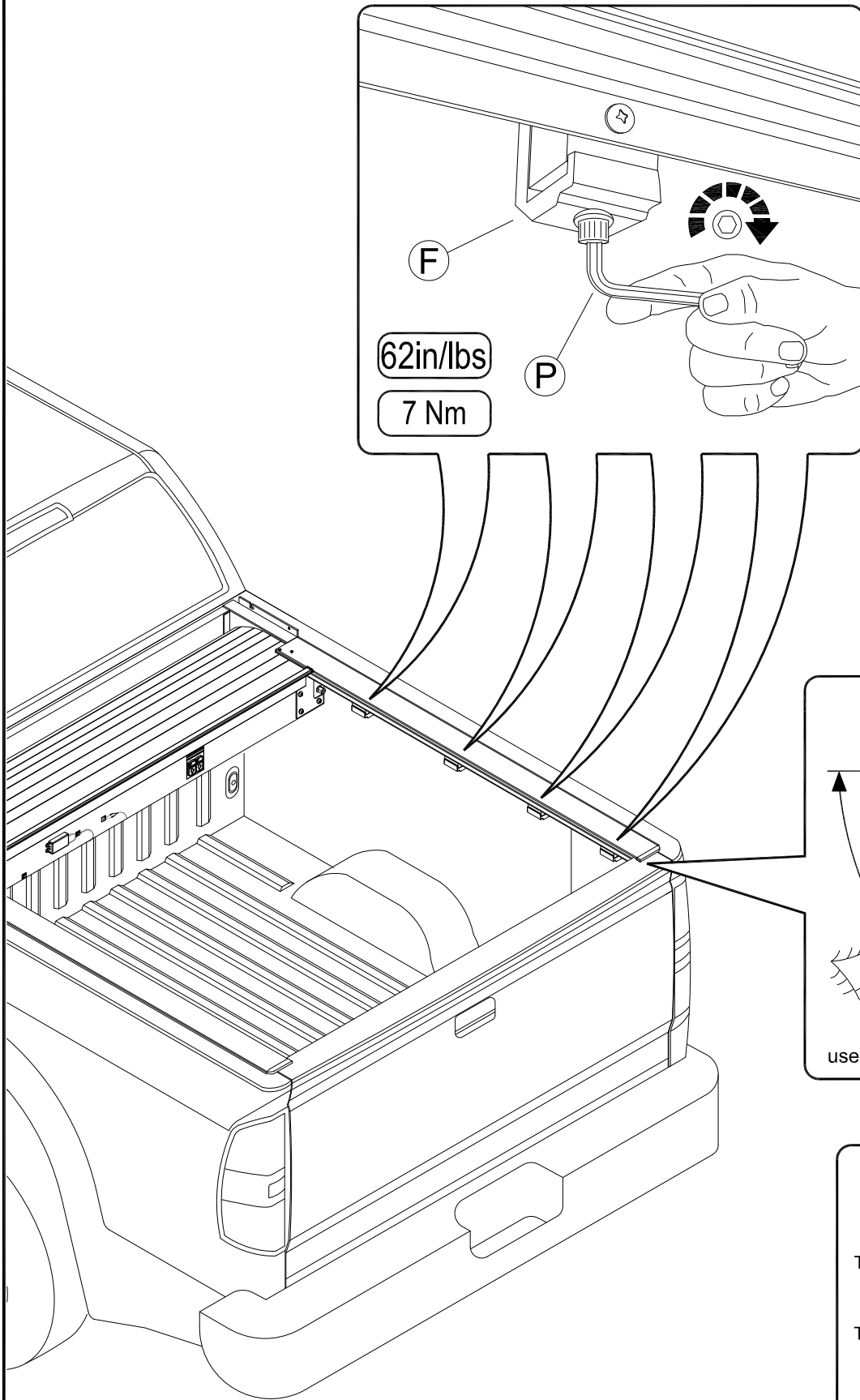


9 LHS = RHS



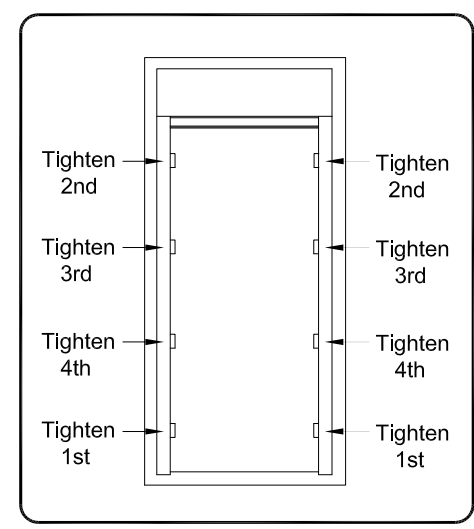
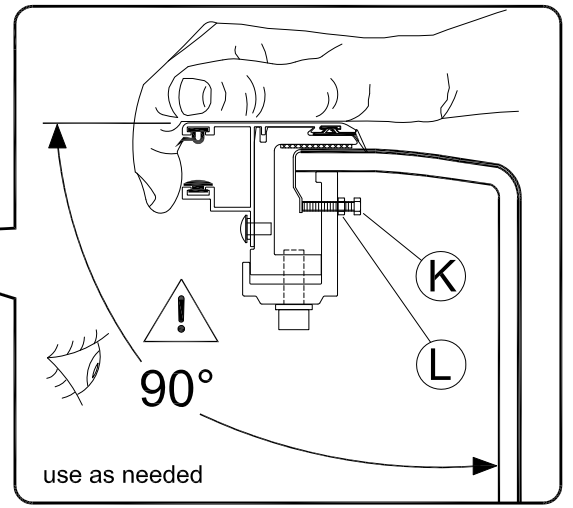




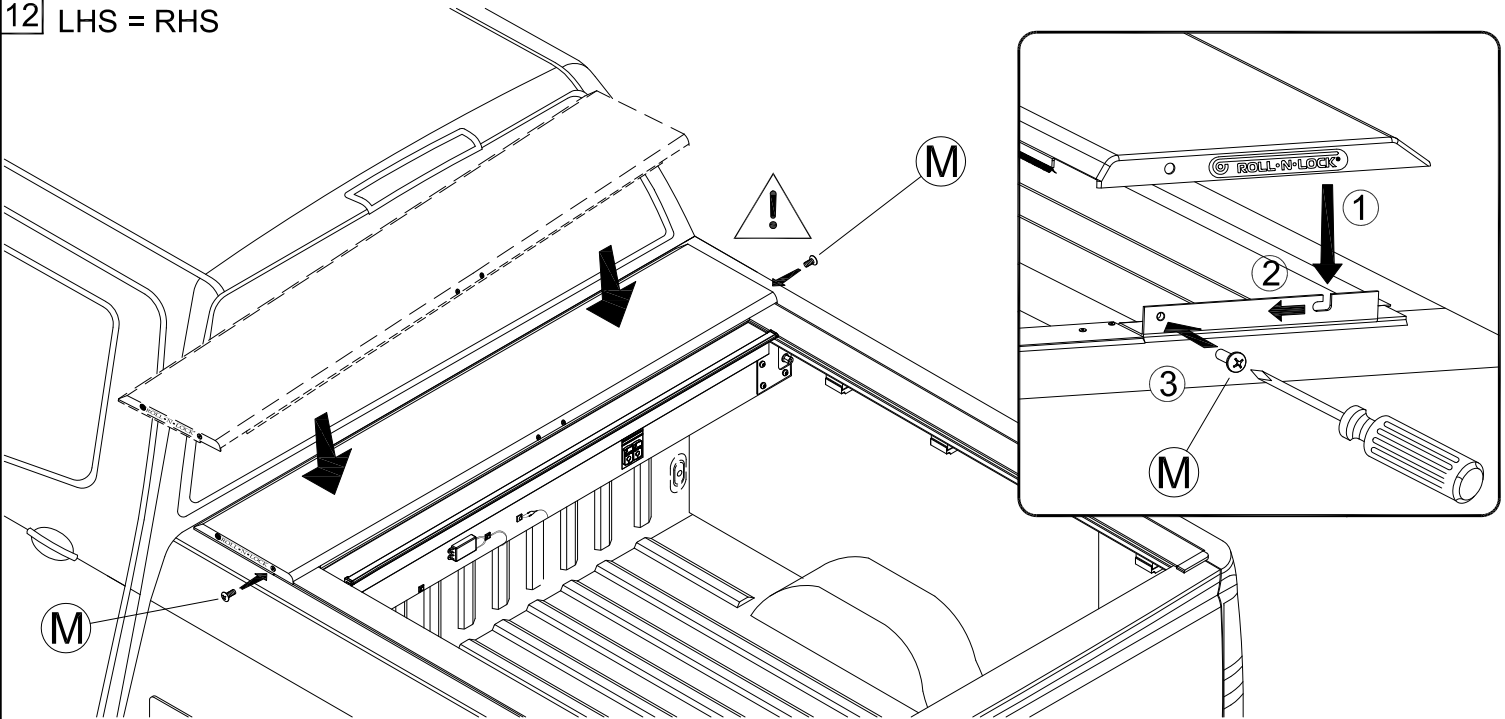


62in/lbs

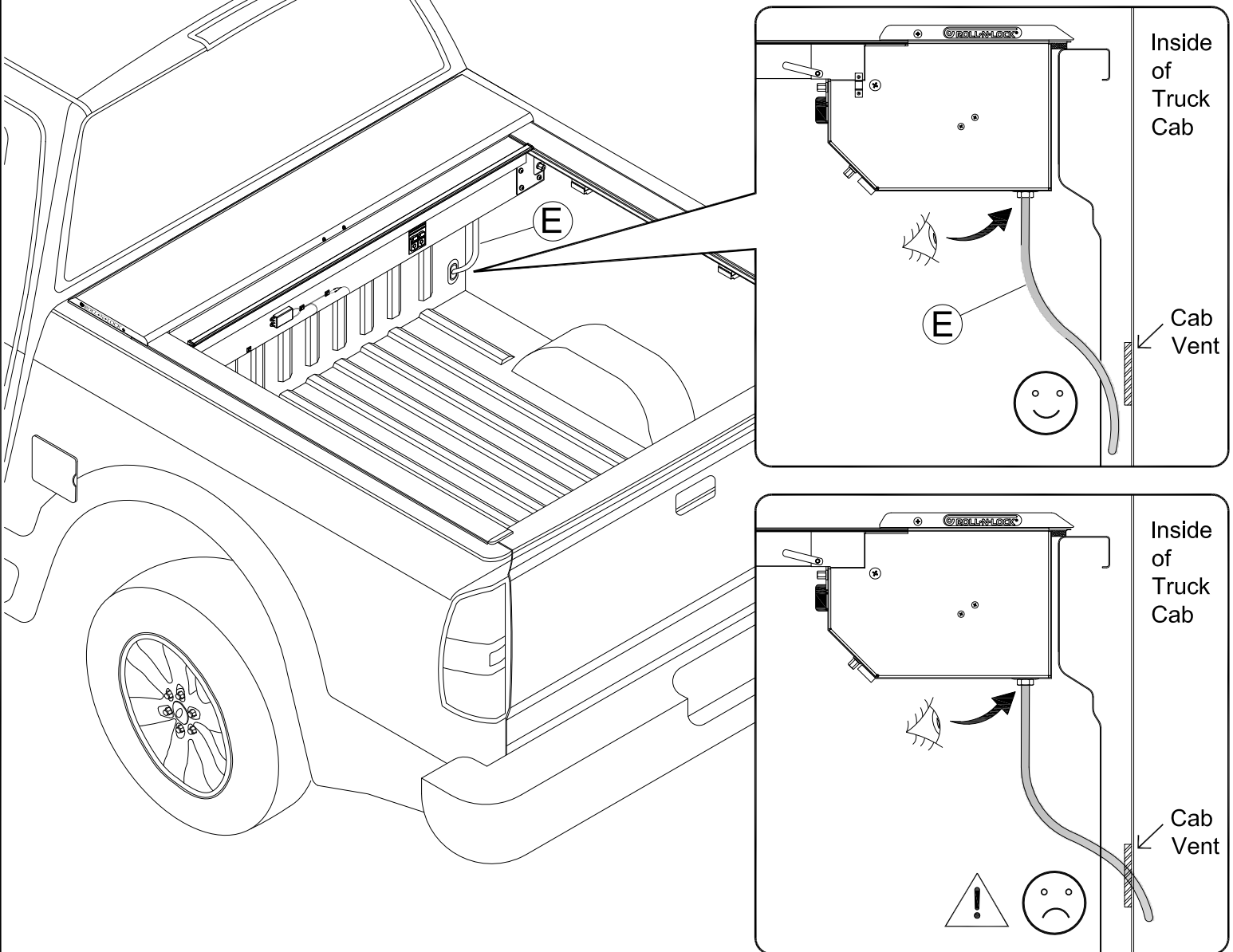
7 Nm



12 LHS = RHS



13 LHS = RHS

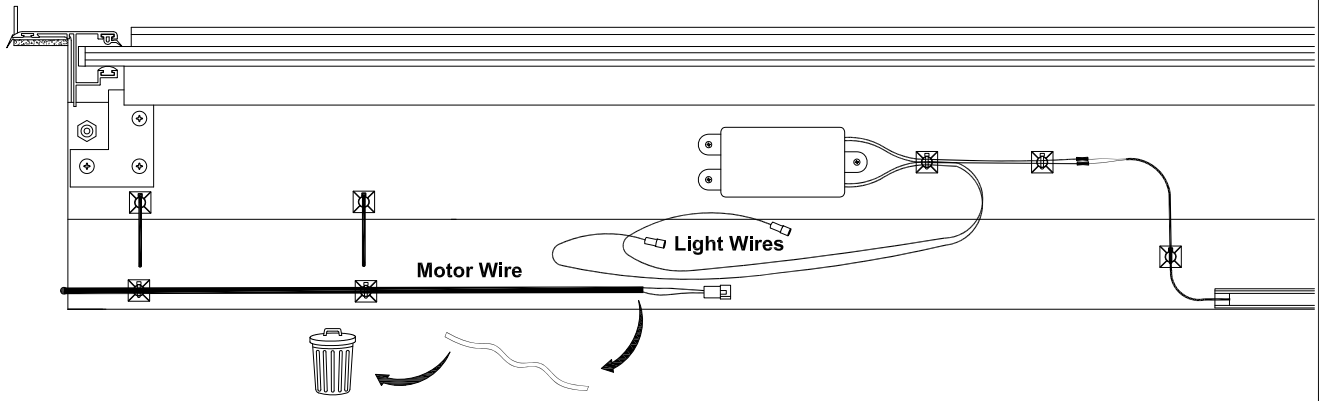


14

# Powering the unit:

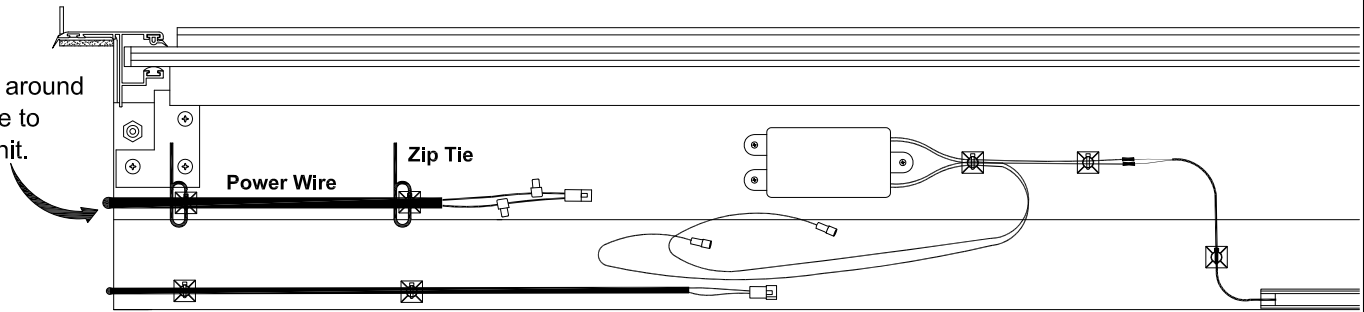
A

Unwrap light wires from motor wire.



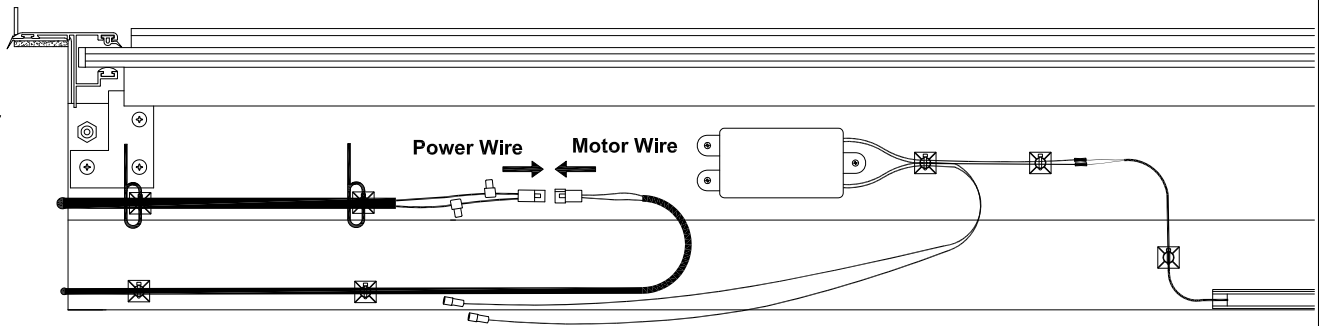
B

Bring power wire around and loosely zip tie to the front of the unit.



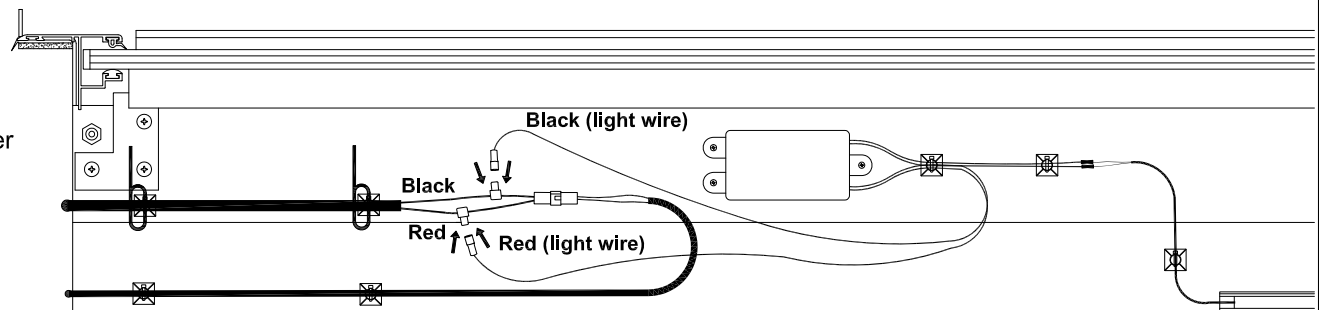
C

Plug motor wire connector into power wire connector.



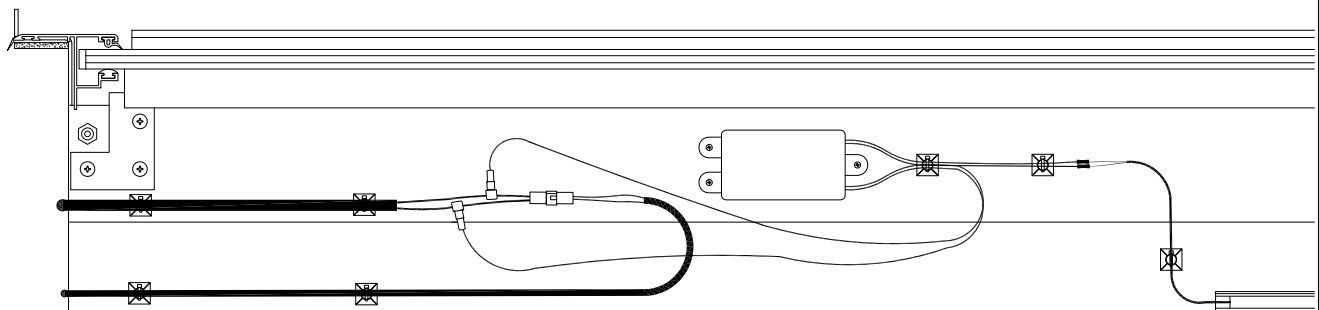
D

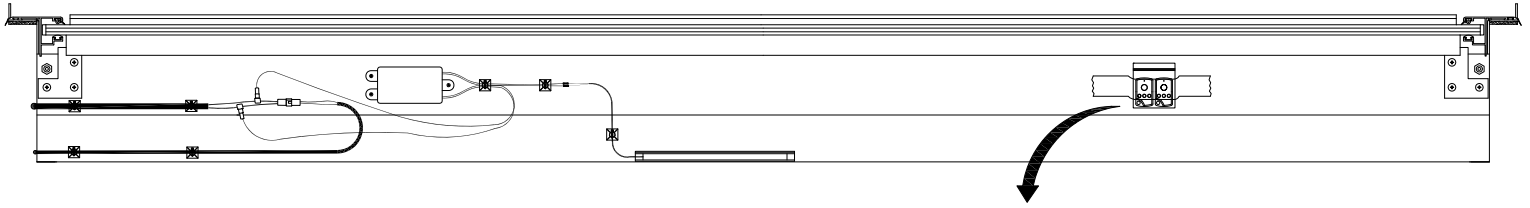
Plug light wire connectors into power wire connectors.



E

Position motor wire tighten zip ties and trim.

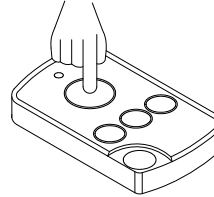




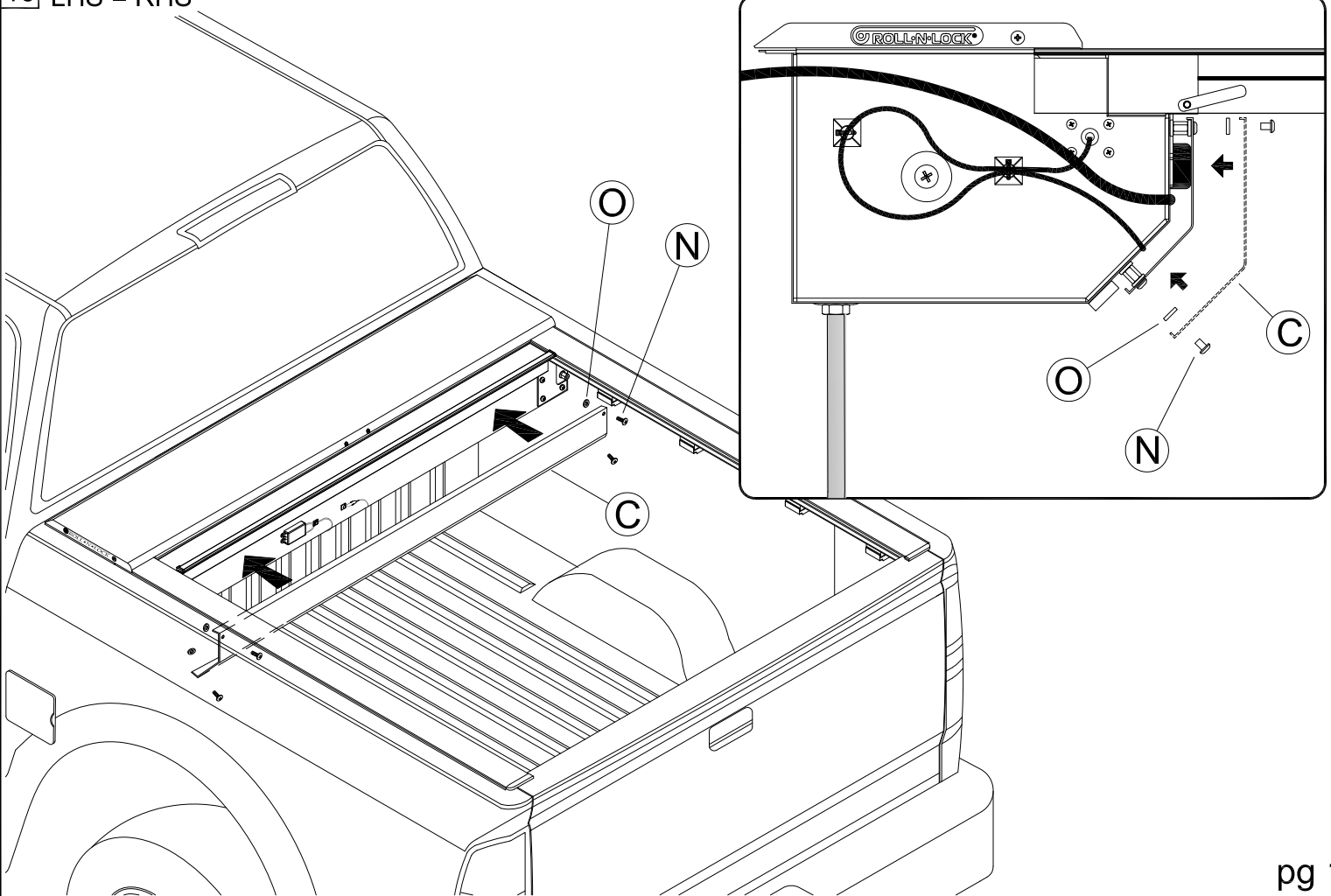
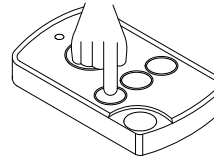
- Remove remotes from housing.

Operating the system:

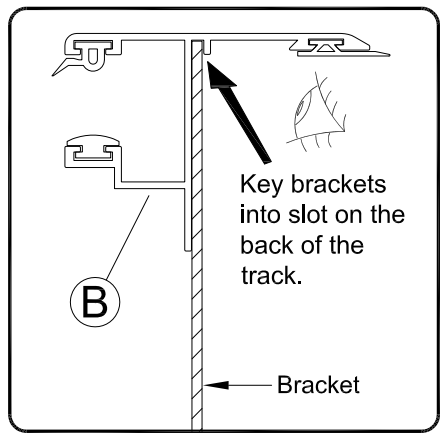
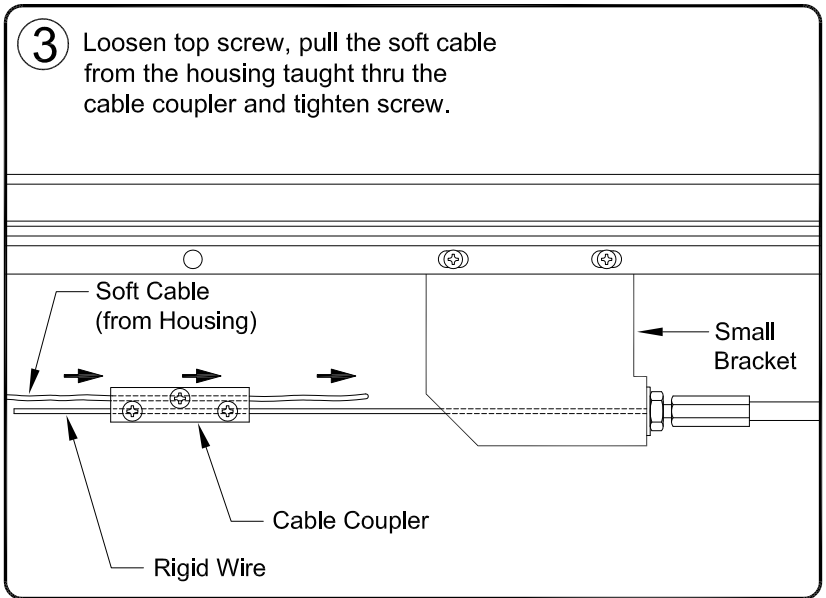
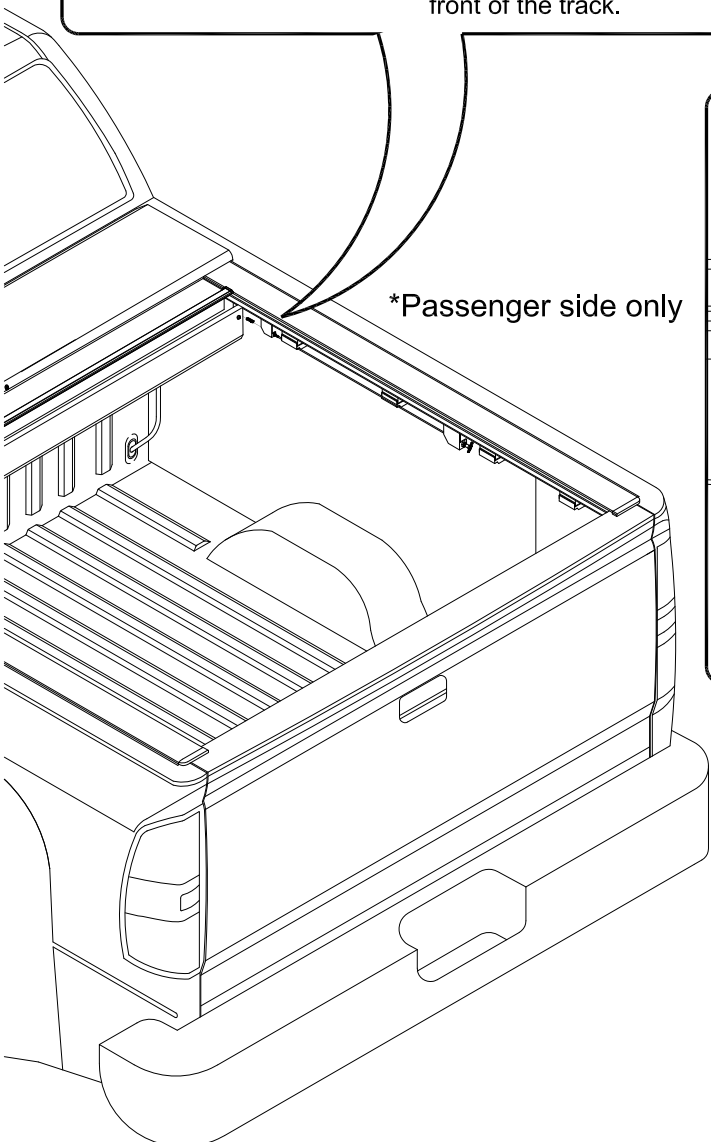
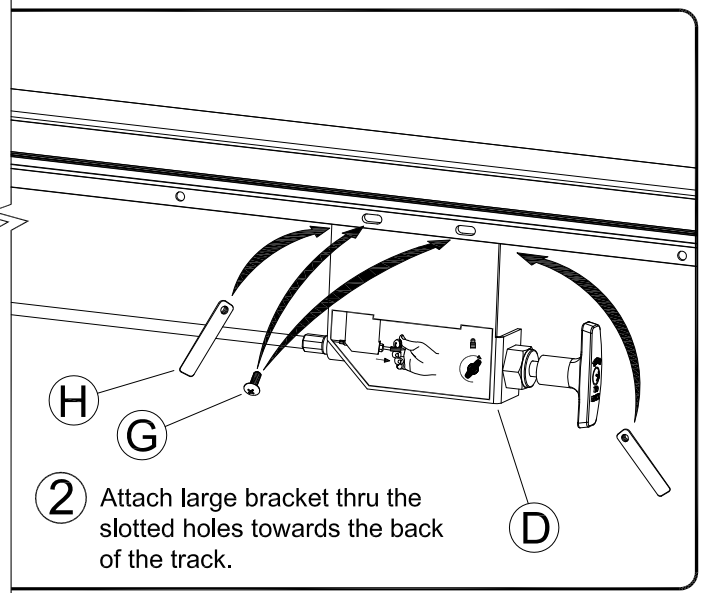
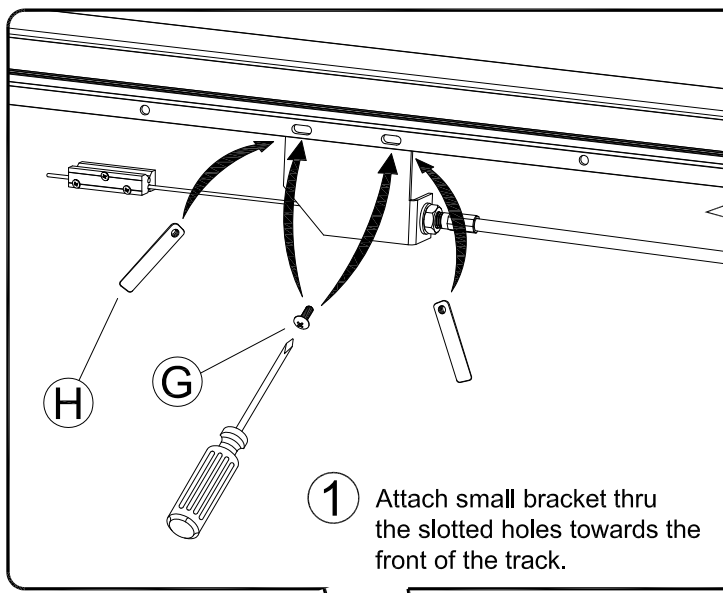
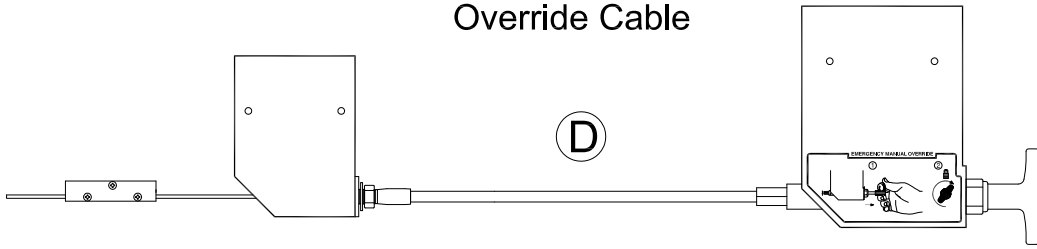
- Push the large button to run cover.
- Push the large button to stop the cover.
- Cover will stop automatically at tailgate and housing.



- Push the small left button to turn light on.
- Push the small left button to turn light off.
- Light will automatically turn off in 3 minutes.

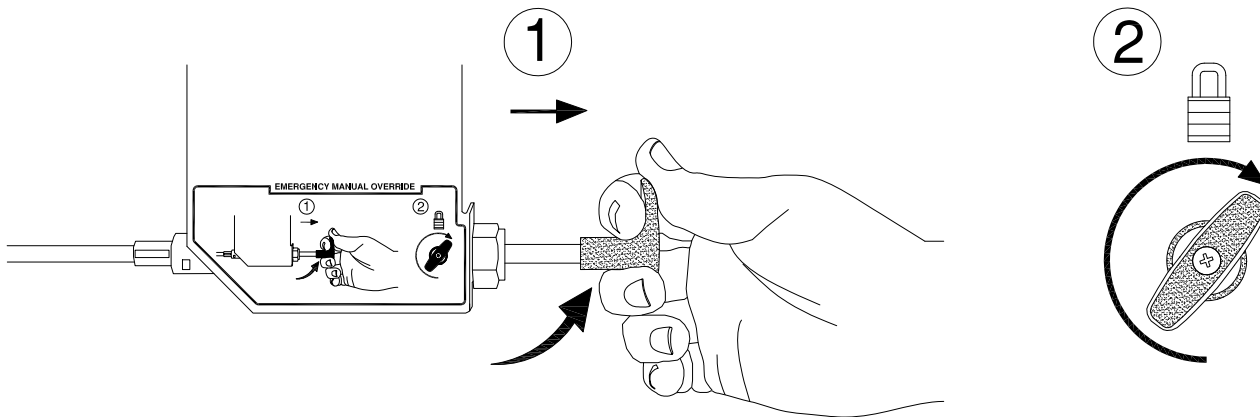


Override Cable



## Operating the override:

- Use only when the cover is not operating remotely.
- Pull the lever and turn to lock in place, the cover will operate manually.
- Unlock the lever and push back to lock cover.



**ROLL•N•LOCK®**

Any questions please call Roll•N•Lock  
Customer Service at 800-952-7655 or [rollnlock.com](http://rollnlock.com)