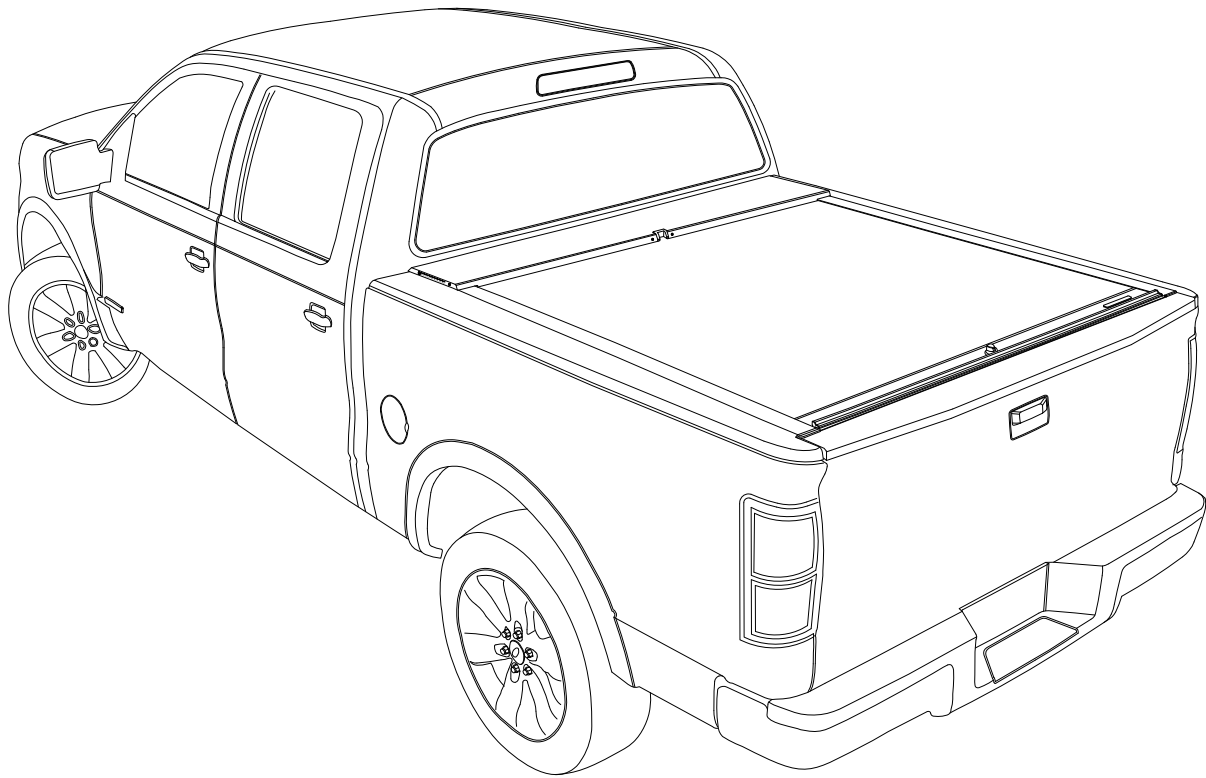




Installation Guide

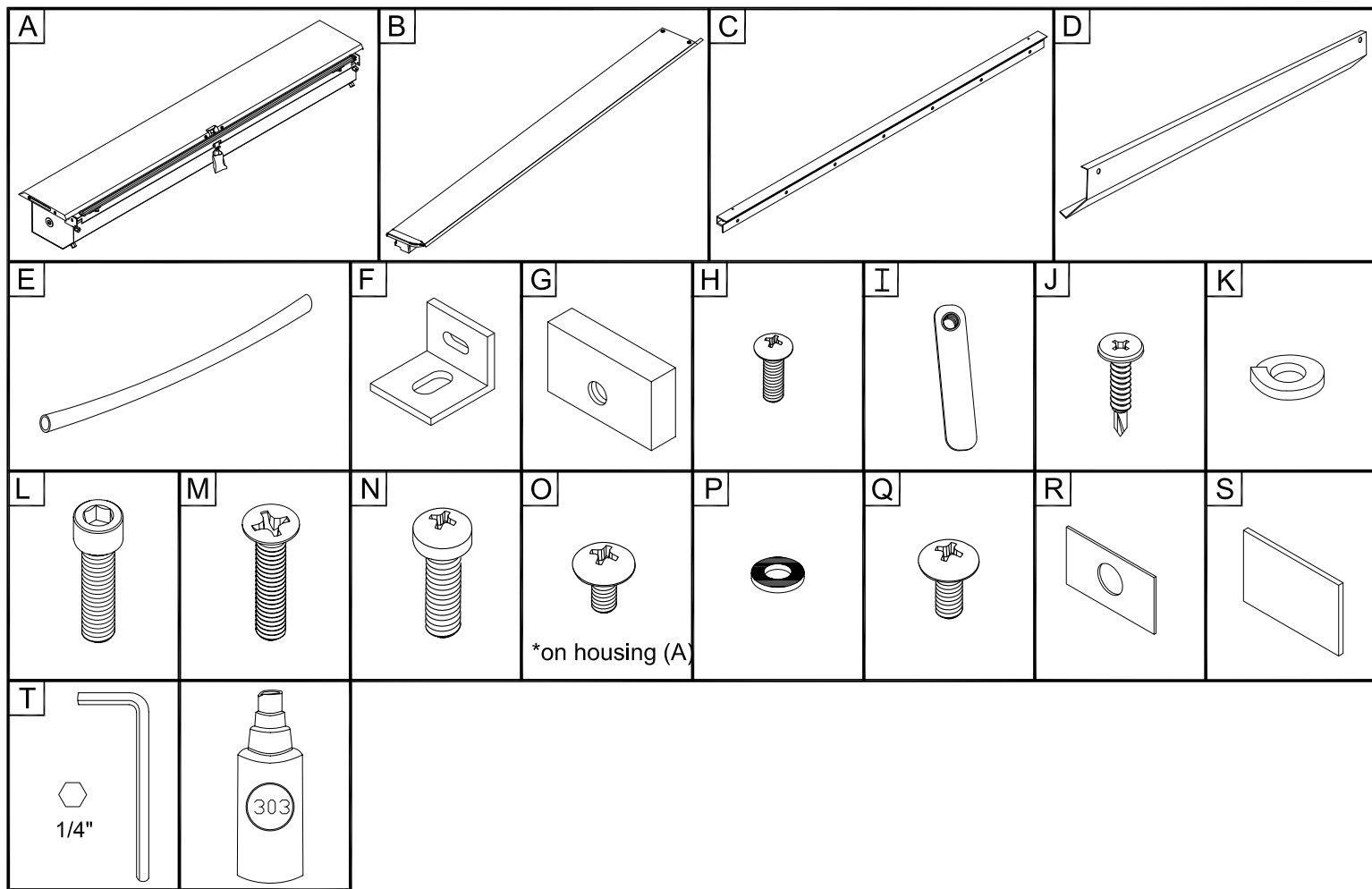
Toyota Tundra



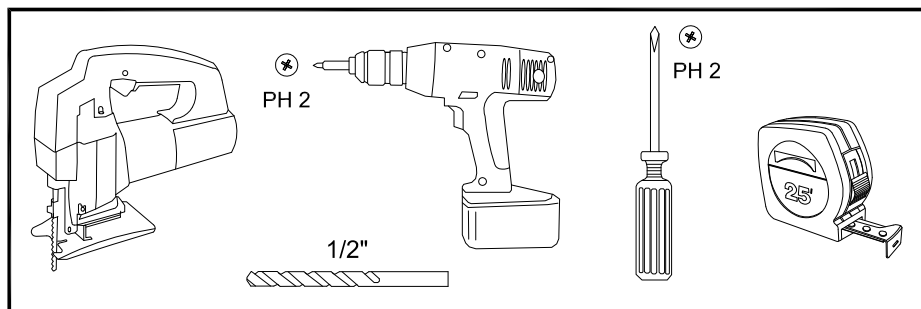
Product Code
570-571-572

Parts List

Item	Part Name	Qty.	Item	Part Name	Qty.	Item	Part Name	Qty.
A	Housing	1	H	#10-24 Screw	2	O	1/4" Lid Screw	2
B	Track	2	I	Cargo Nut	2	P	Rubber Washer	4
C	Tailgate Extrusion	1	J	#8 x 3/4" Self Drill Screw	5	Q	1/4-20 x 3/8" Screw	4
D	Cargo Shield	1	K	5/16" Lock Washer	4/6	R	Shim	4/6
E	Drain Tube	2	L	5/16" x 1" Cap Screw	4/6	S	Black Plastic Shim	5
F	Tundra "L" Bracket	4/6	M	1/4-20 x 1 1/4" Flat Head	4/6	T	Allen Wrench (1/4")	1
G	1 x 2 x 1/4" Threaded Block	4/6	N	6m x 25mm Pan Head	4/6		303 Vinyl Protector	1



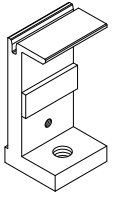
Tools Needed



1 LHS = RHS

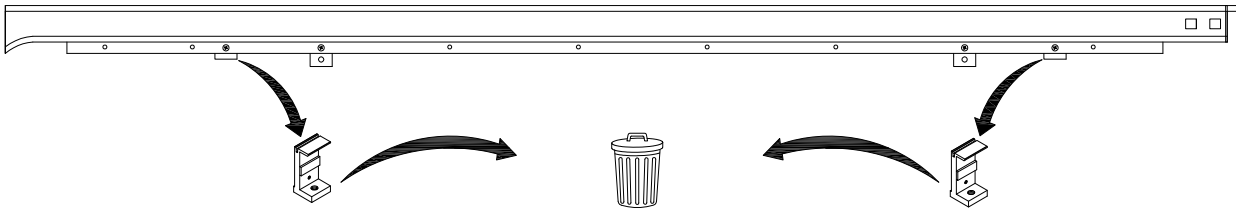
If your Tundra has the "Deck Rail System".

- unpack tracks
- remove the "ST" track clamps as shown
- install the Roll•N•Lock using pages 4-14

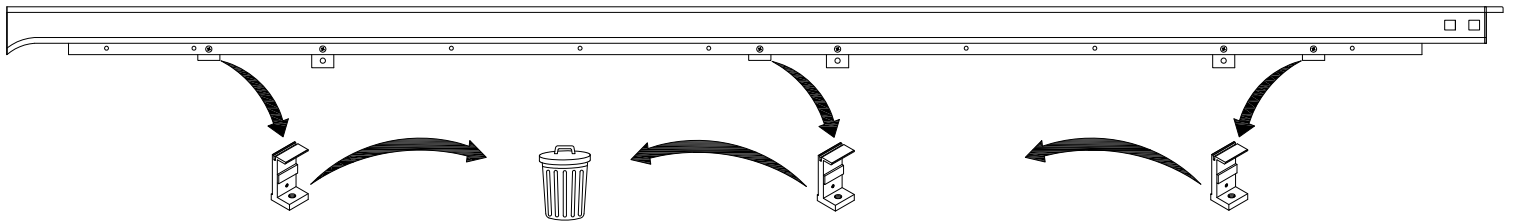


"ST" Clamp

(B)

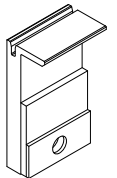


(B)



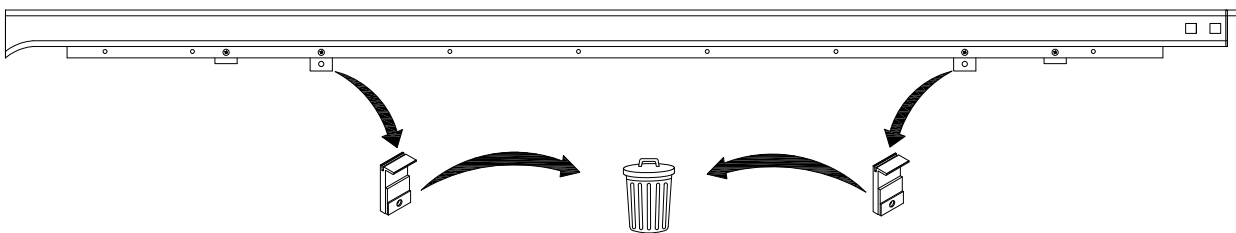
If your Tundra does NOT have the "Deck Rail System".

- unpack tracks
- remove the "T" track clamps as shown
- install the Roll•N•Lock using pages 15-25

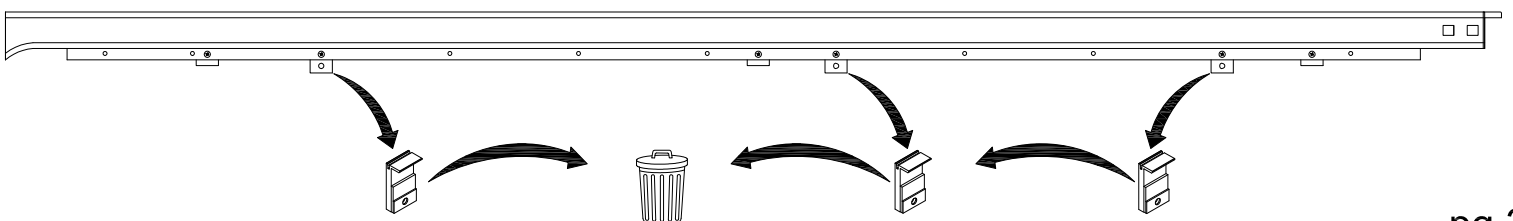


"T" Clamp

(B)



(B)

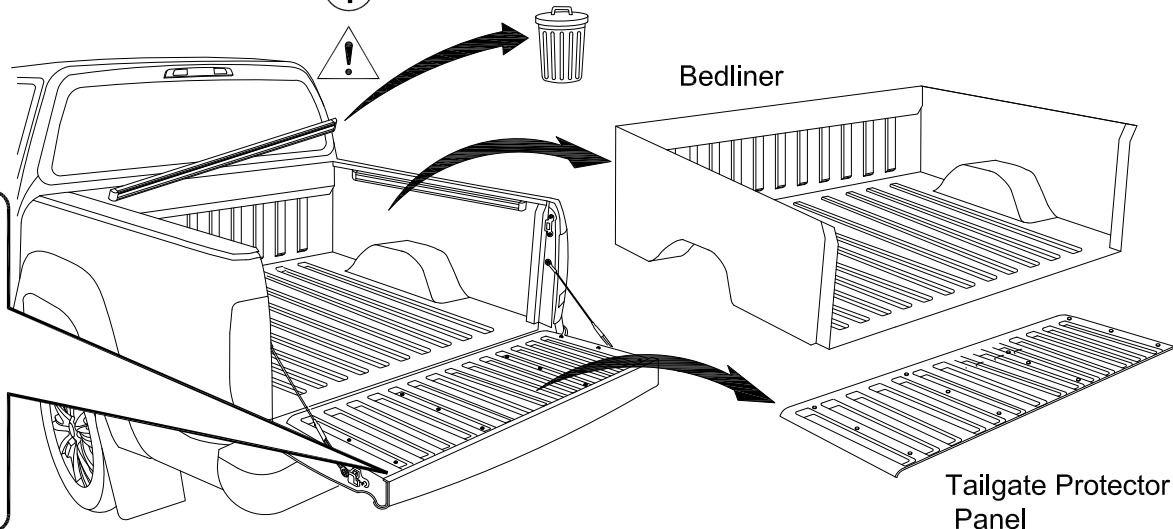
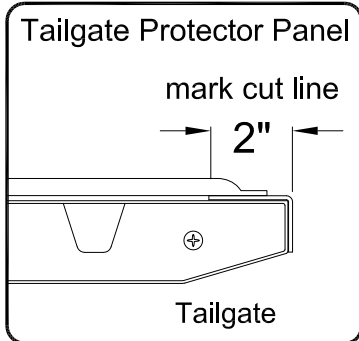


1a

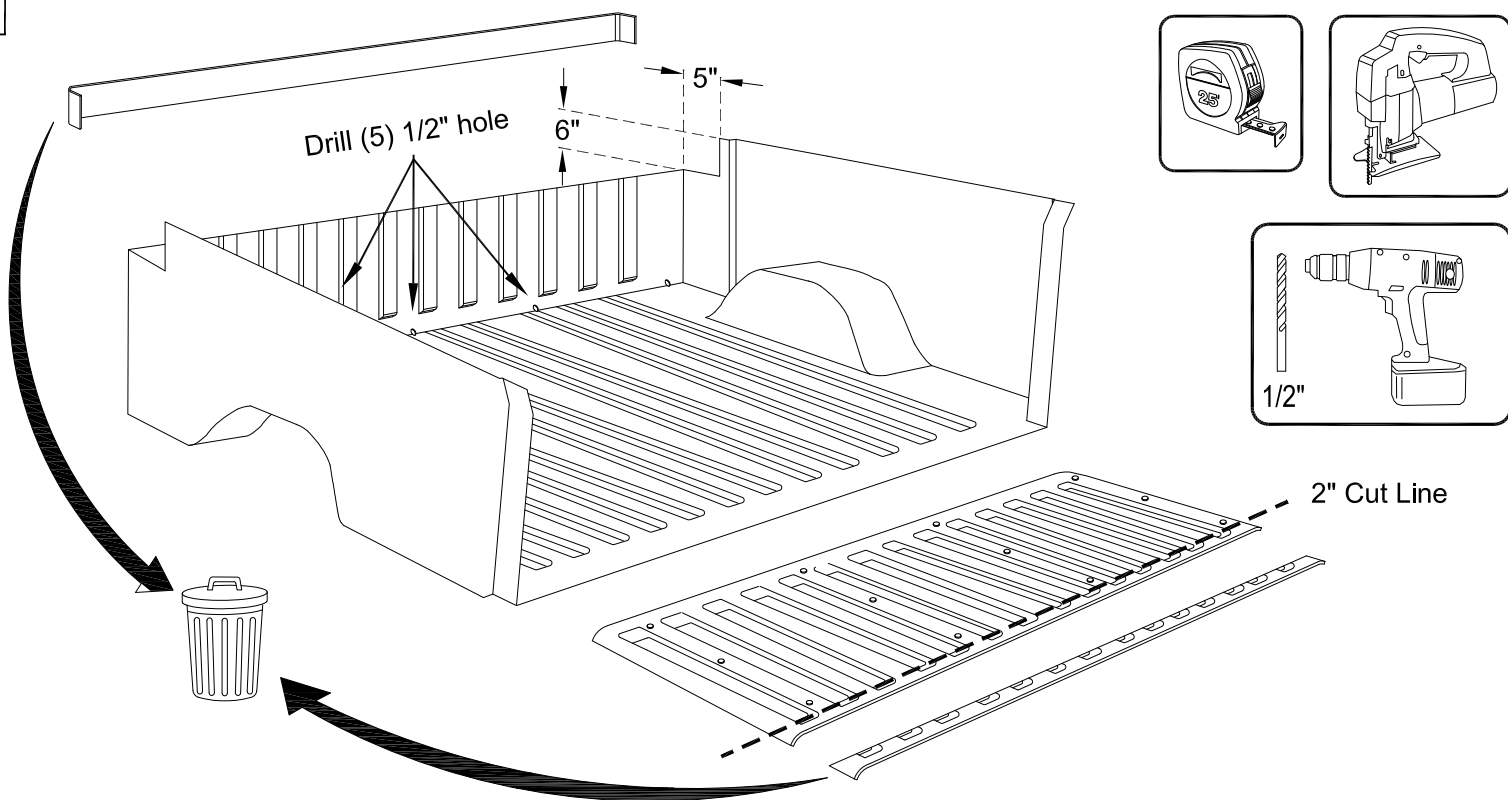
For applications with the "Deck Rail System"

If no bedliner present proceed to page 5.

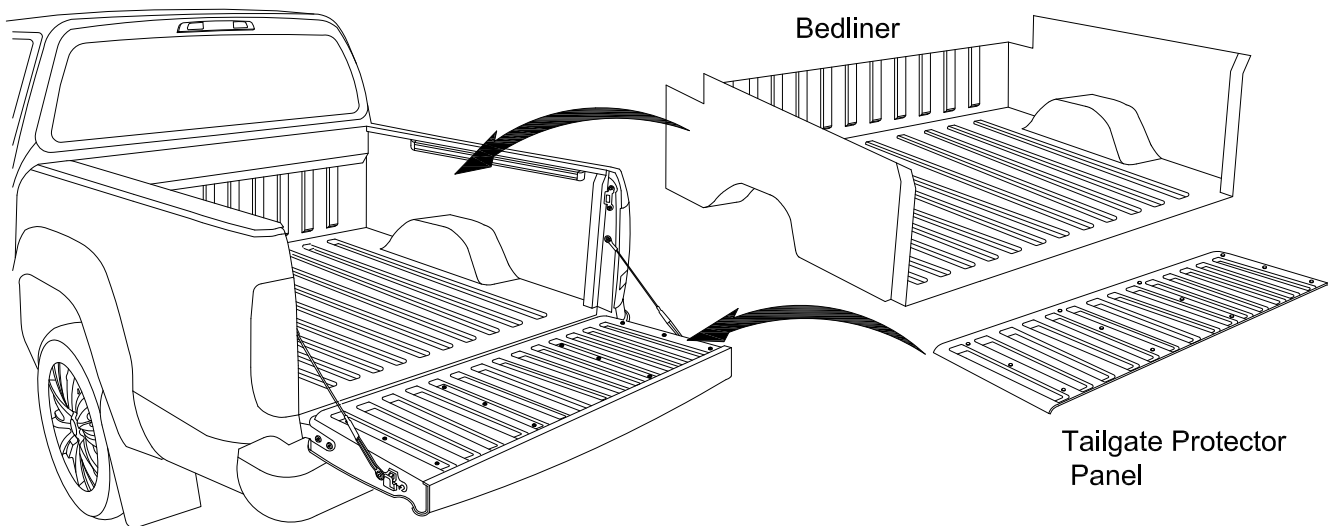
1 Remove bulkhead deck rail.



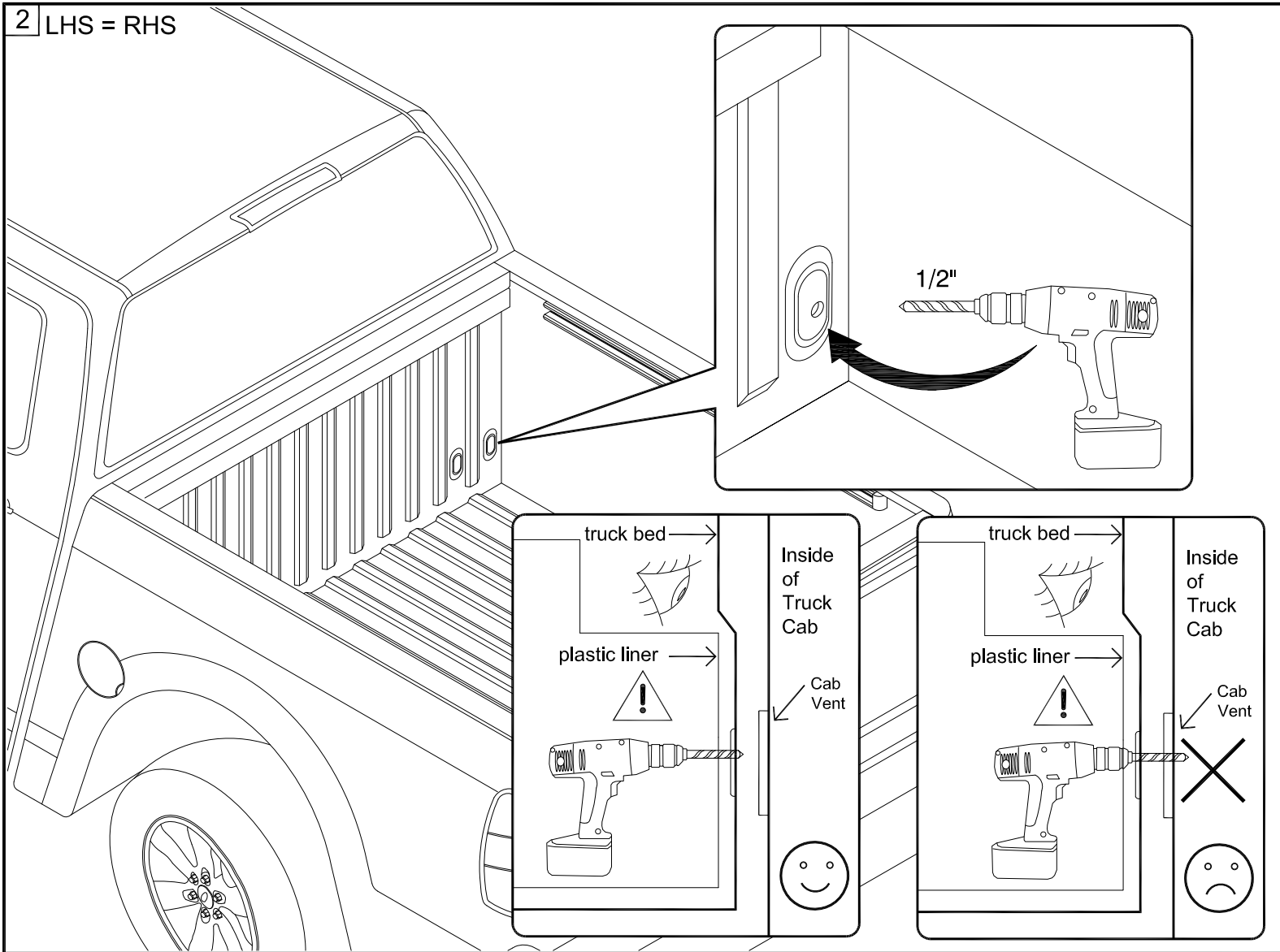
1b



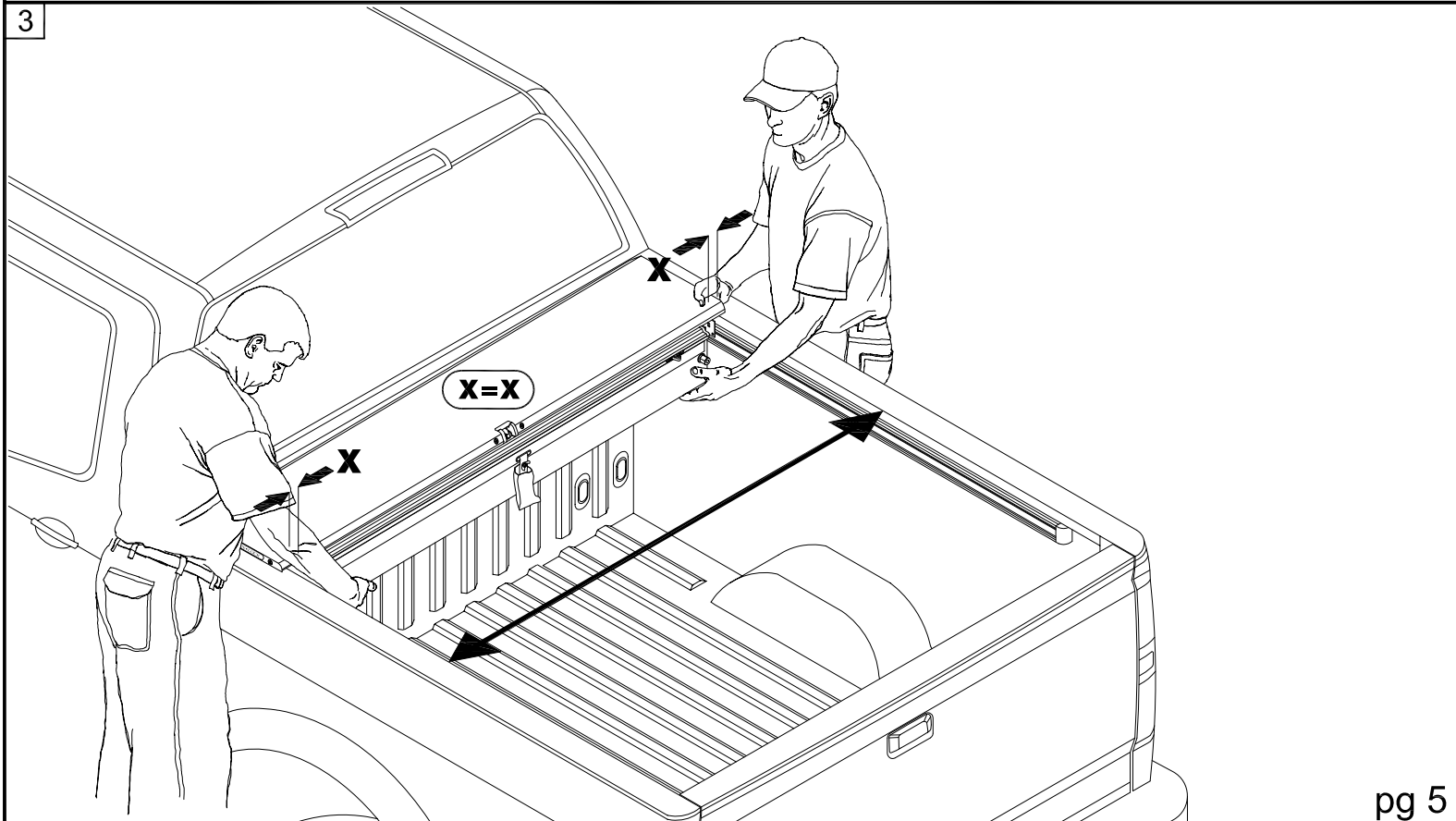
1c



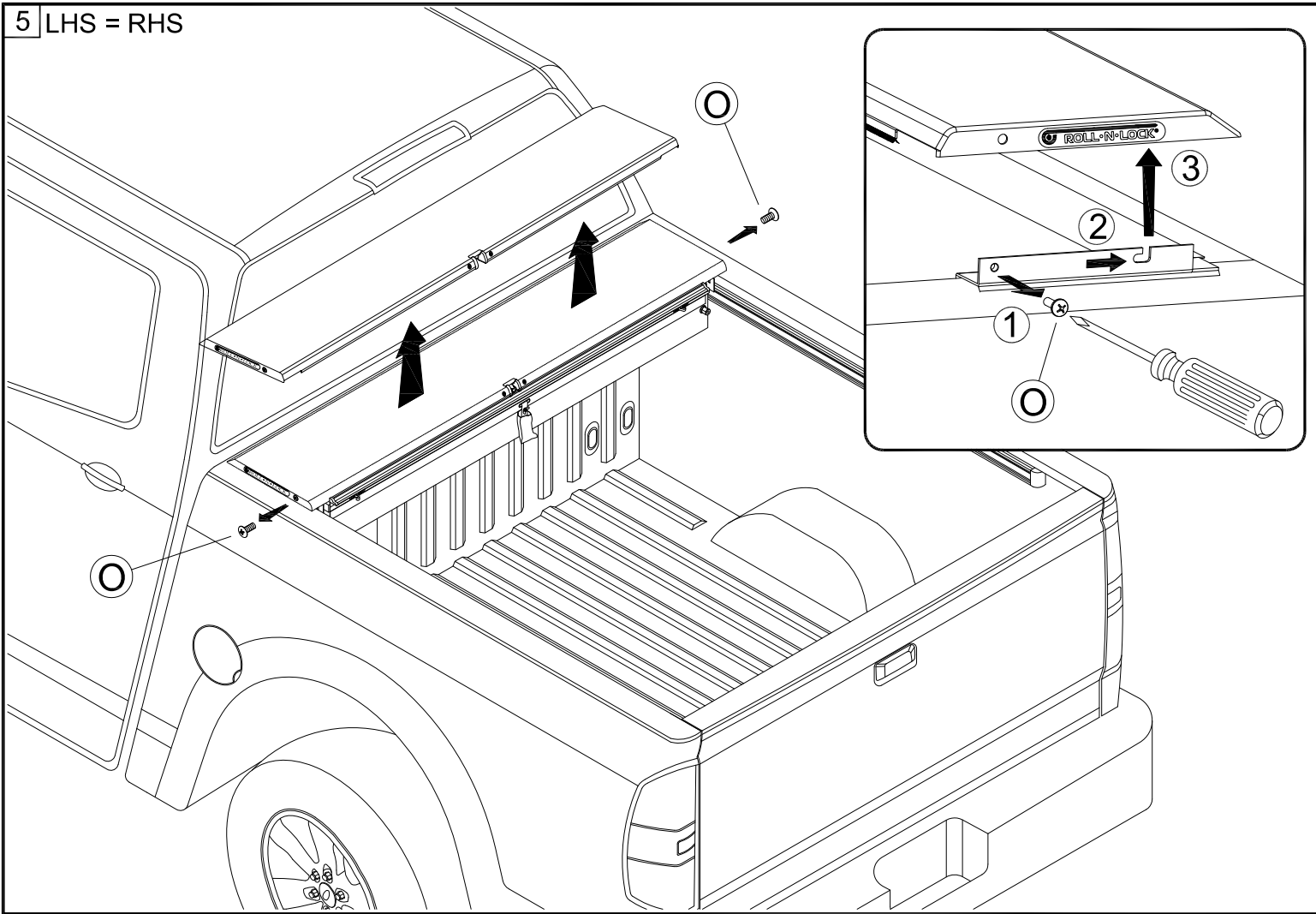
2 LHS = RHS



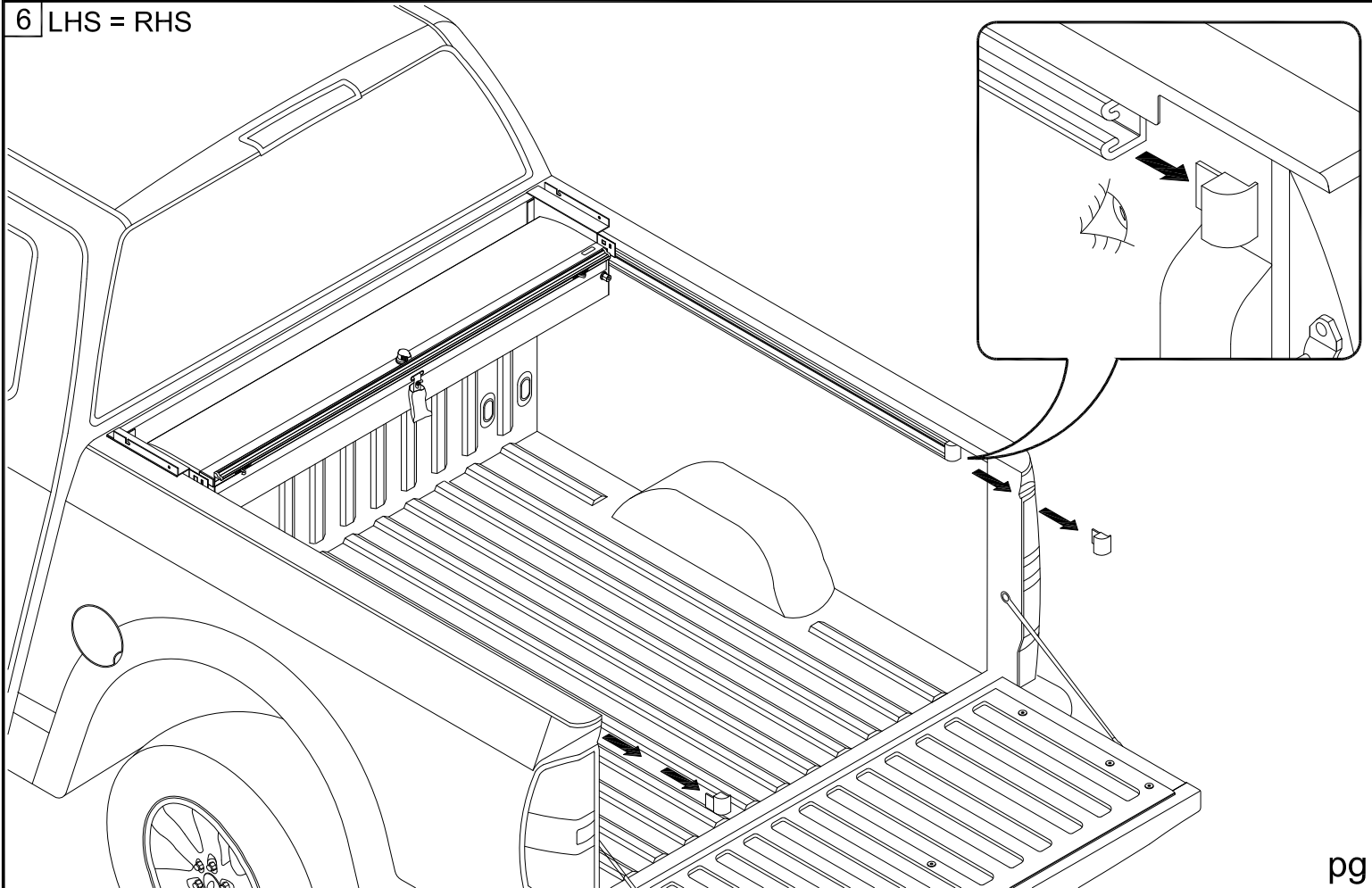
3



5 LHS = RHS

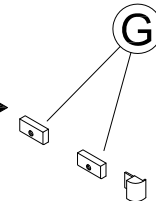
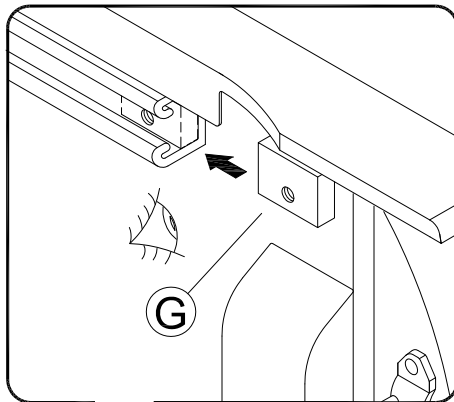


6 LHS = RHS



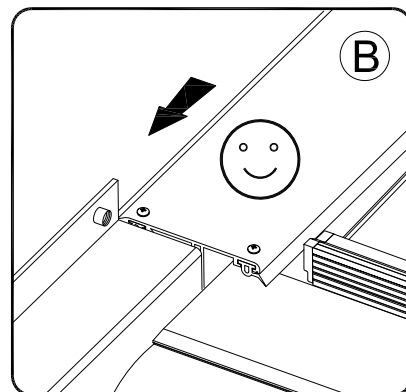
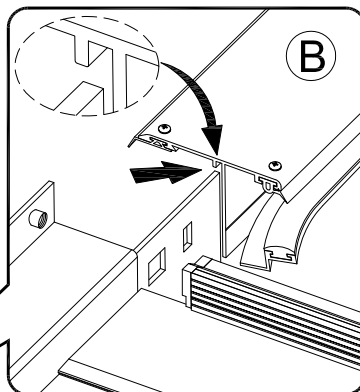
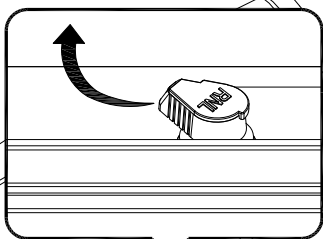
7 LHS = RHS

Note:
The threaded hole is
off-centered, insert block
with hole towards the bottom.



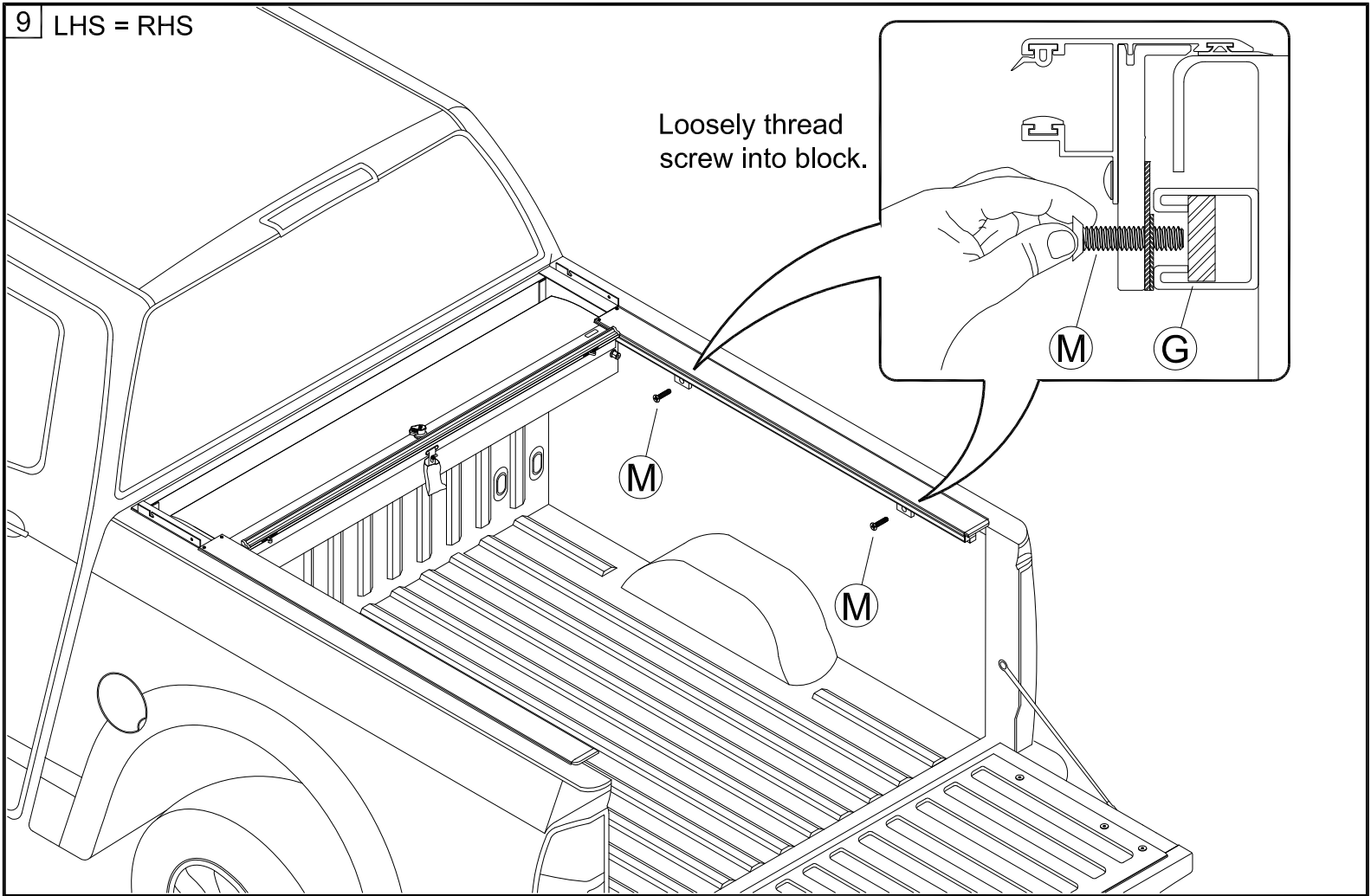
Note:
570M - 2 blocks
571M - 3 blocks
572M - 3 blocks

8 LHS = RHS

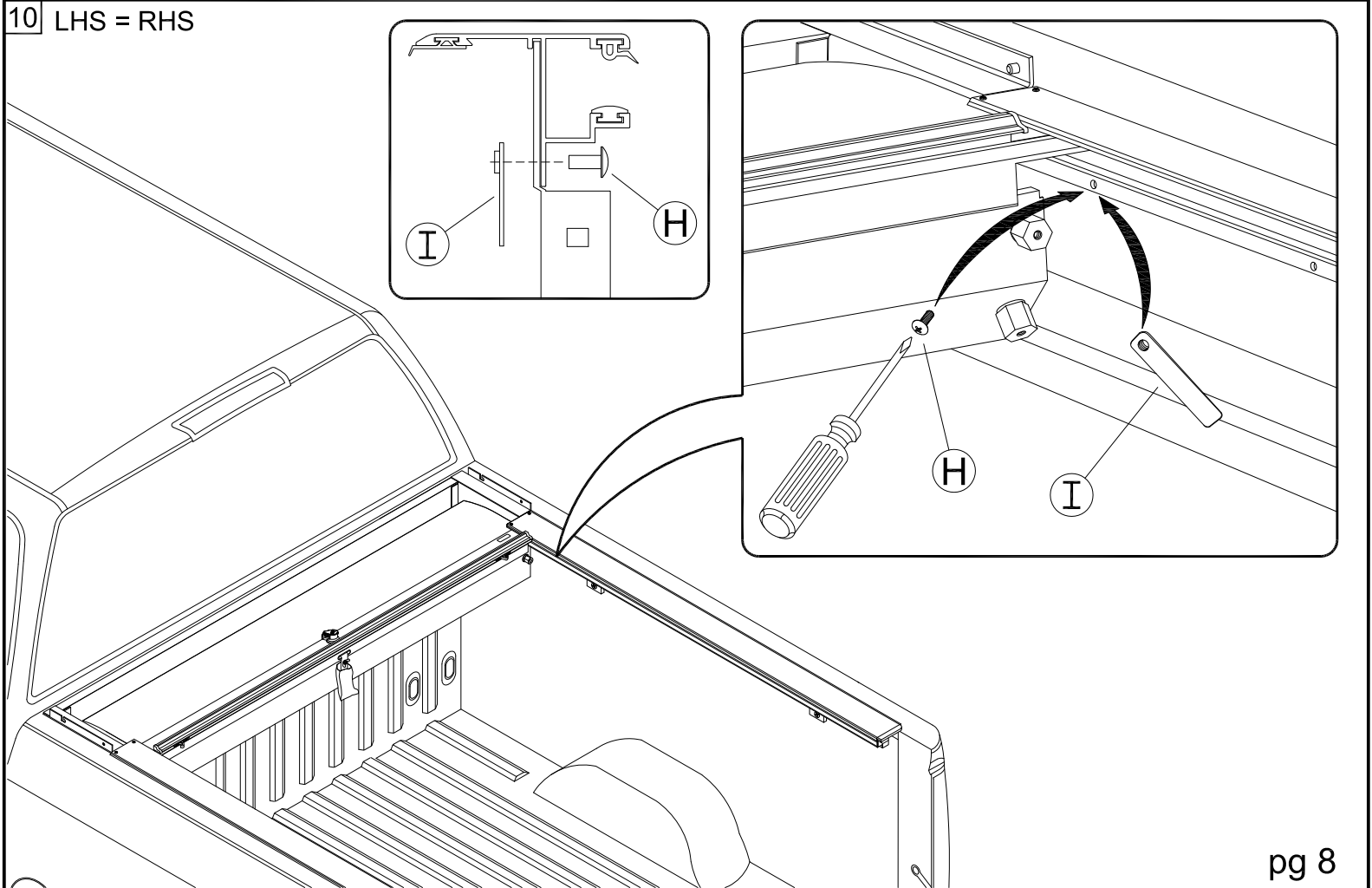


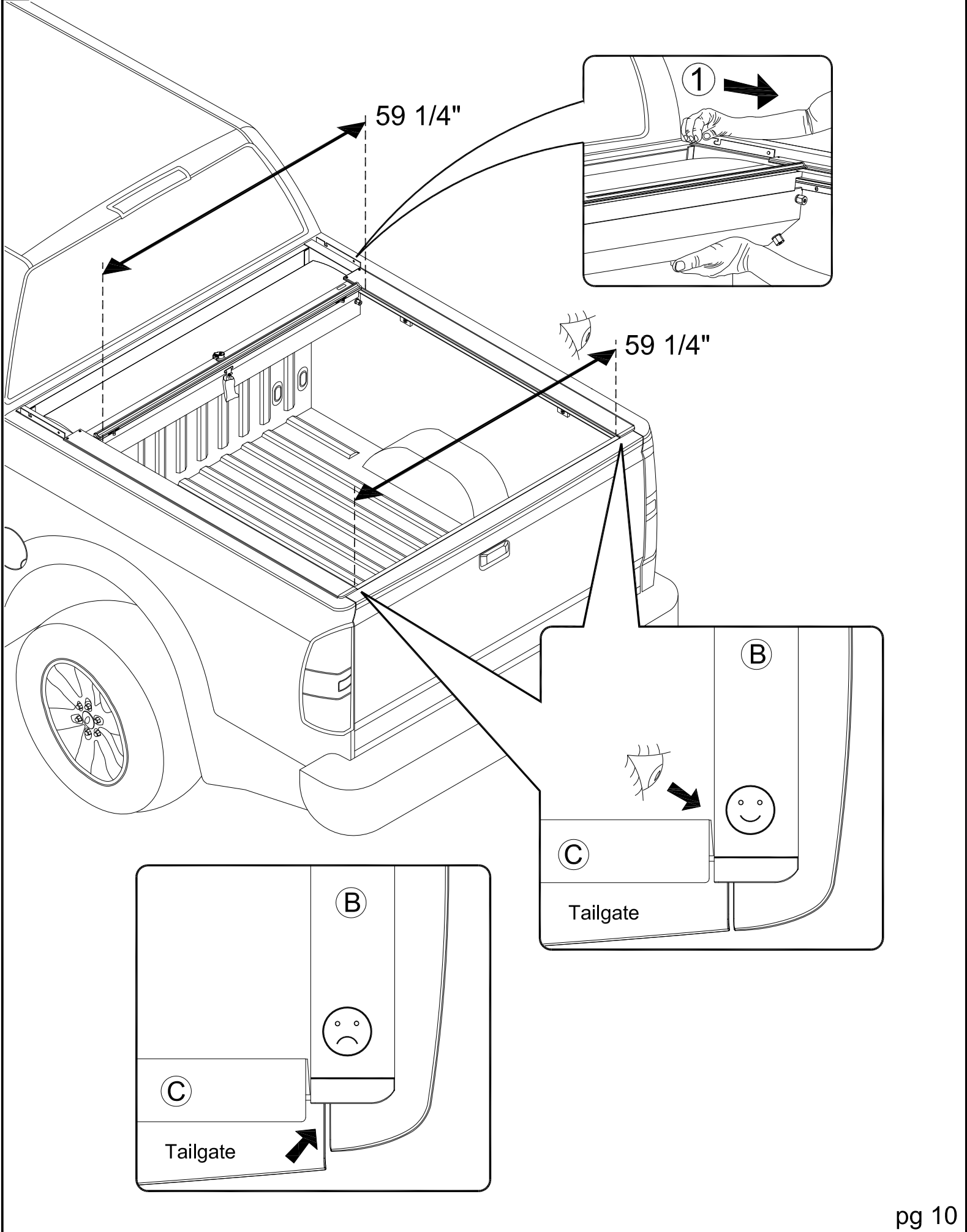
B

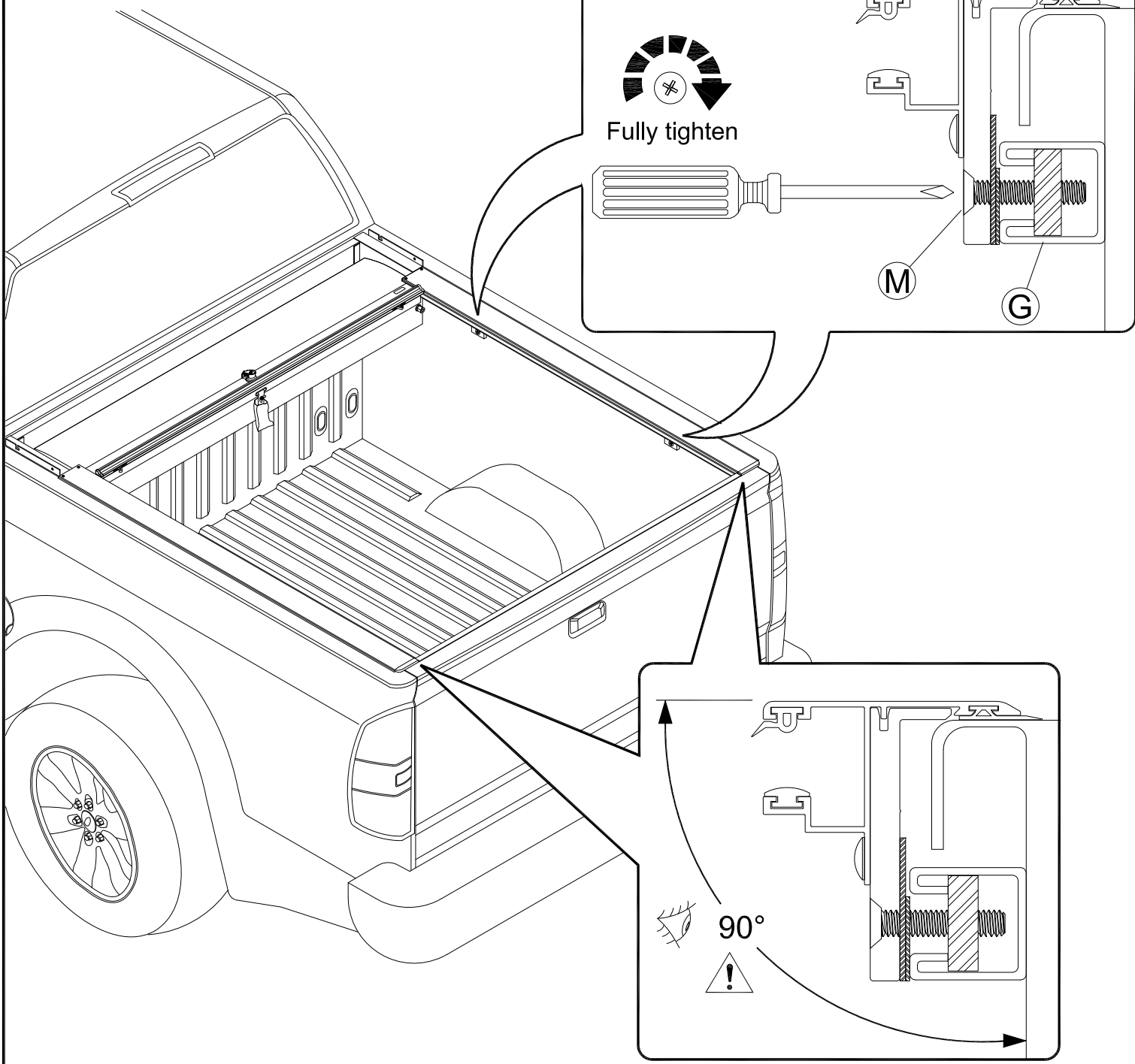
9 LHS = RHS



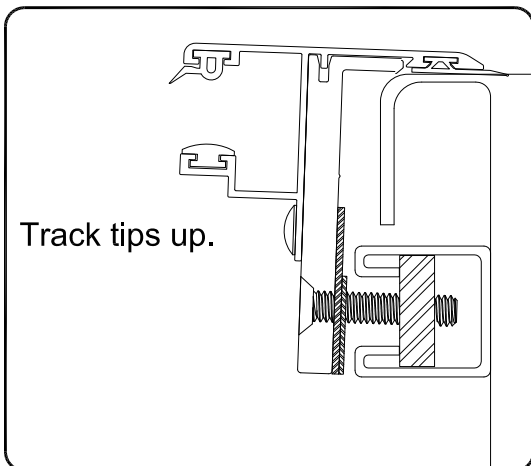
10 LHS = RHS



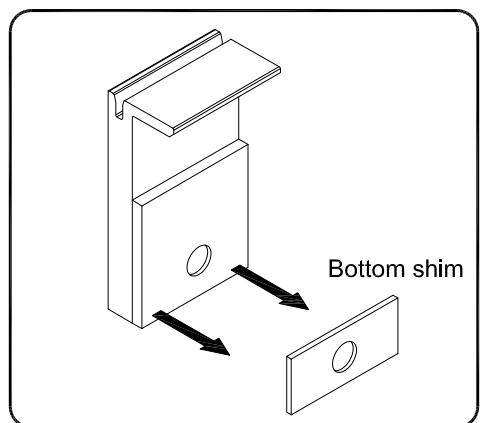




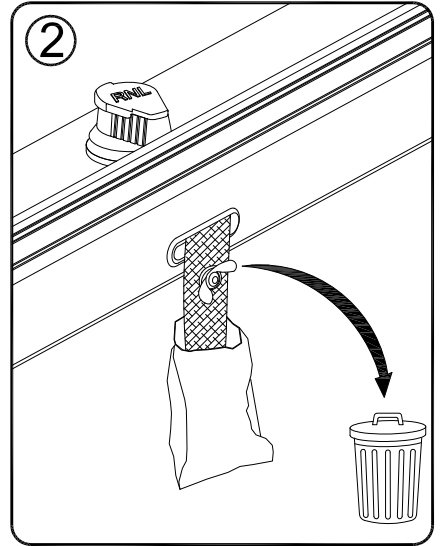
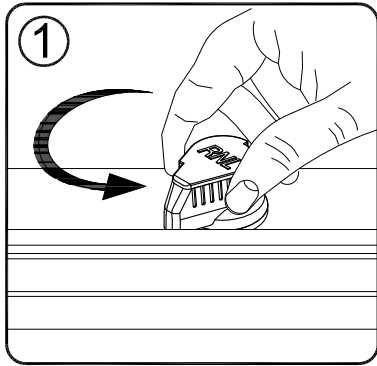
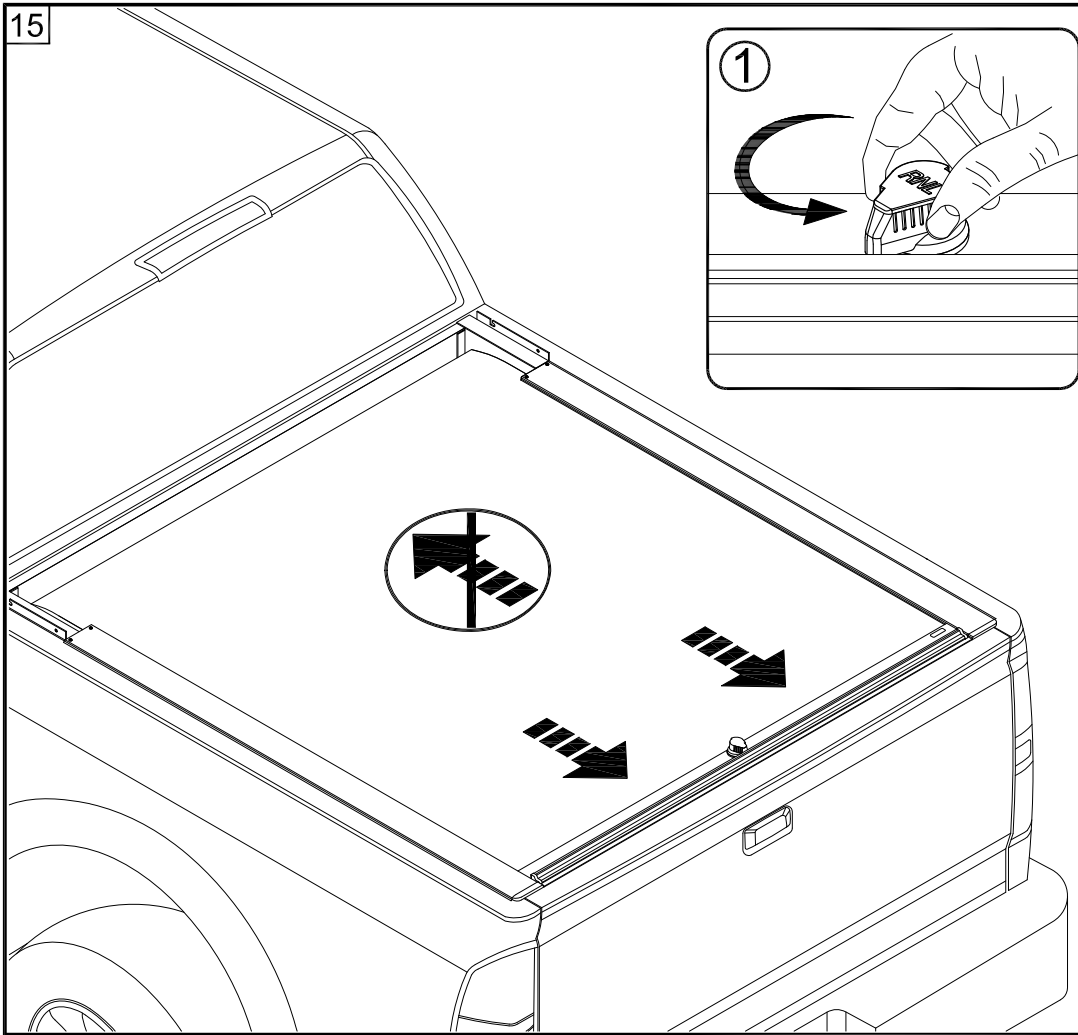
Trouble Shooting



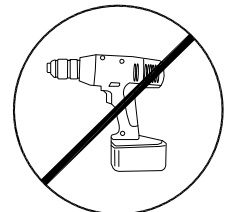
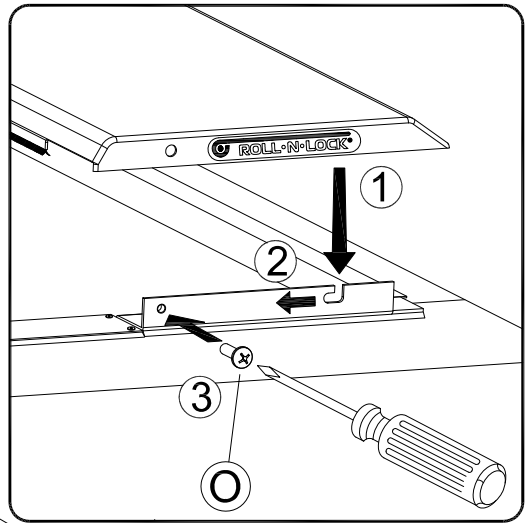
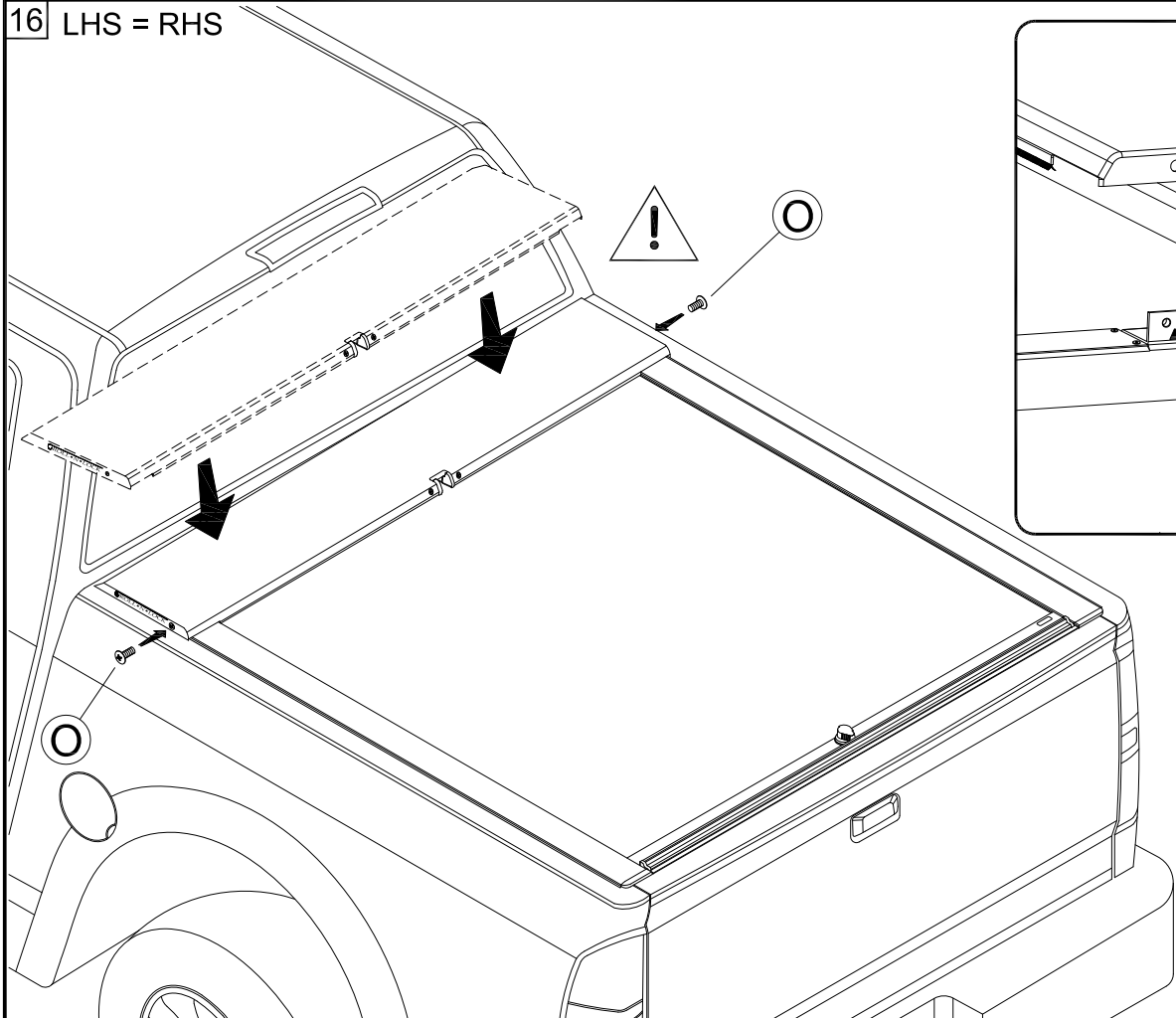
Remove bottom shims from back of track clamp.



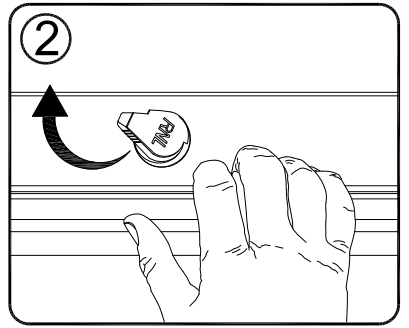
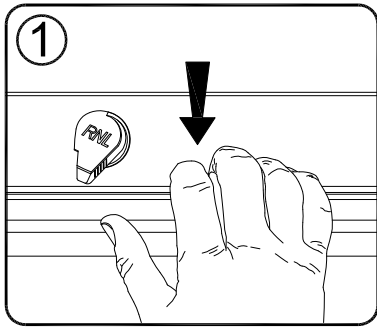
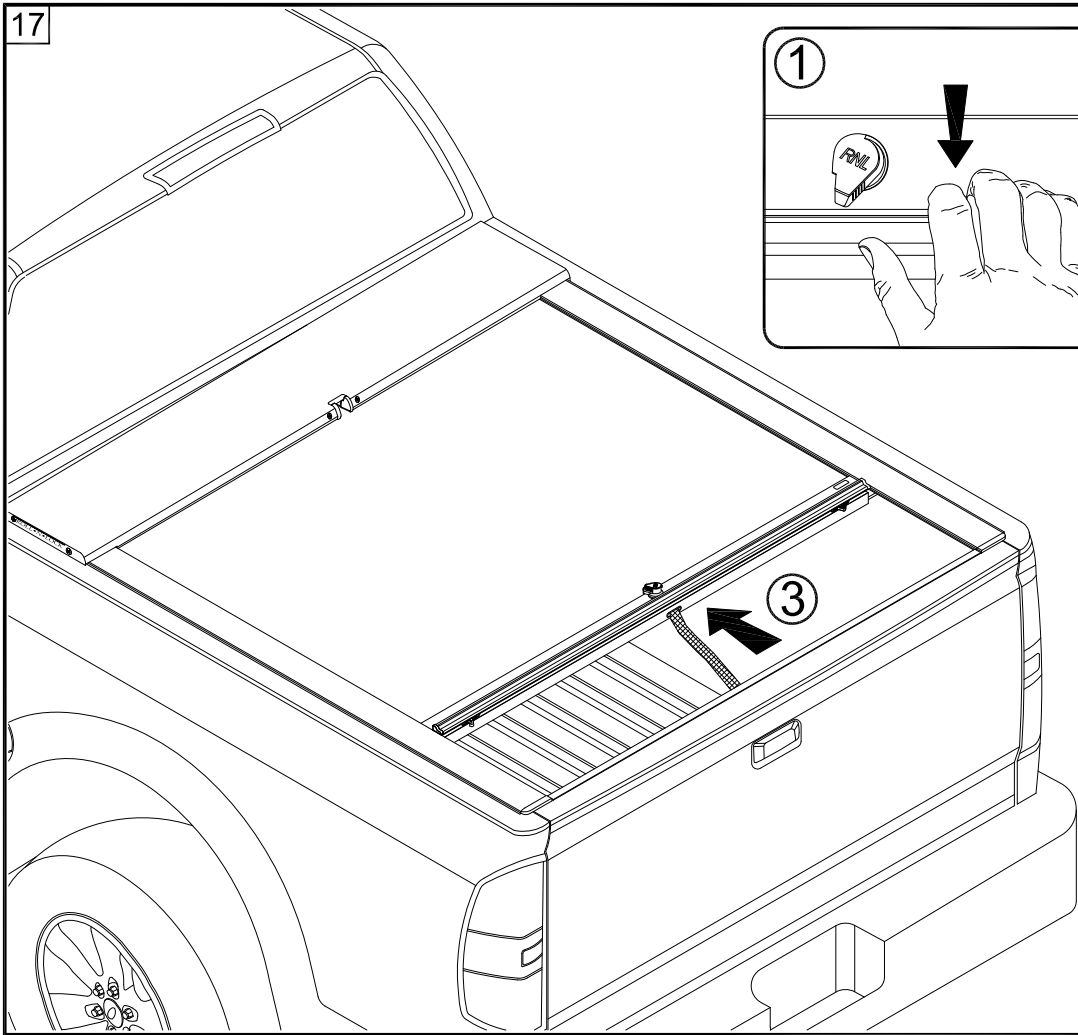
15



16 LHS = RHS

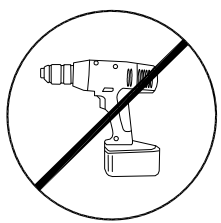
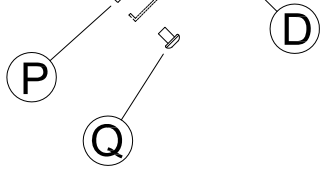
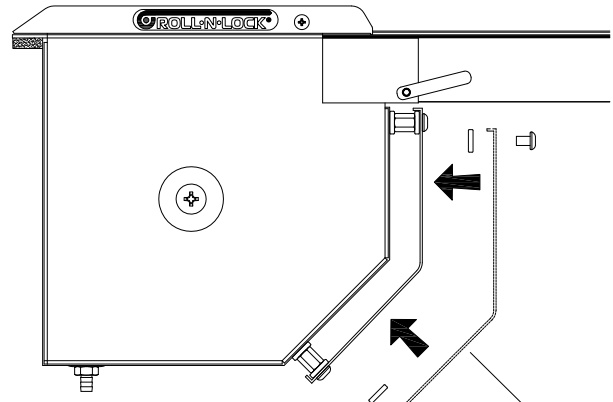
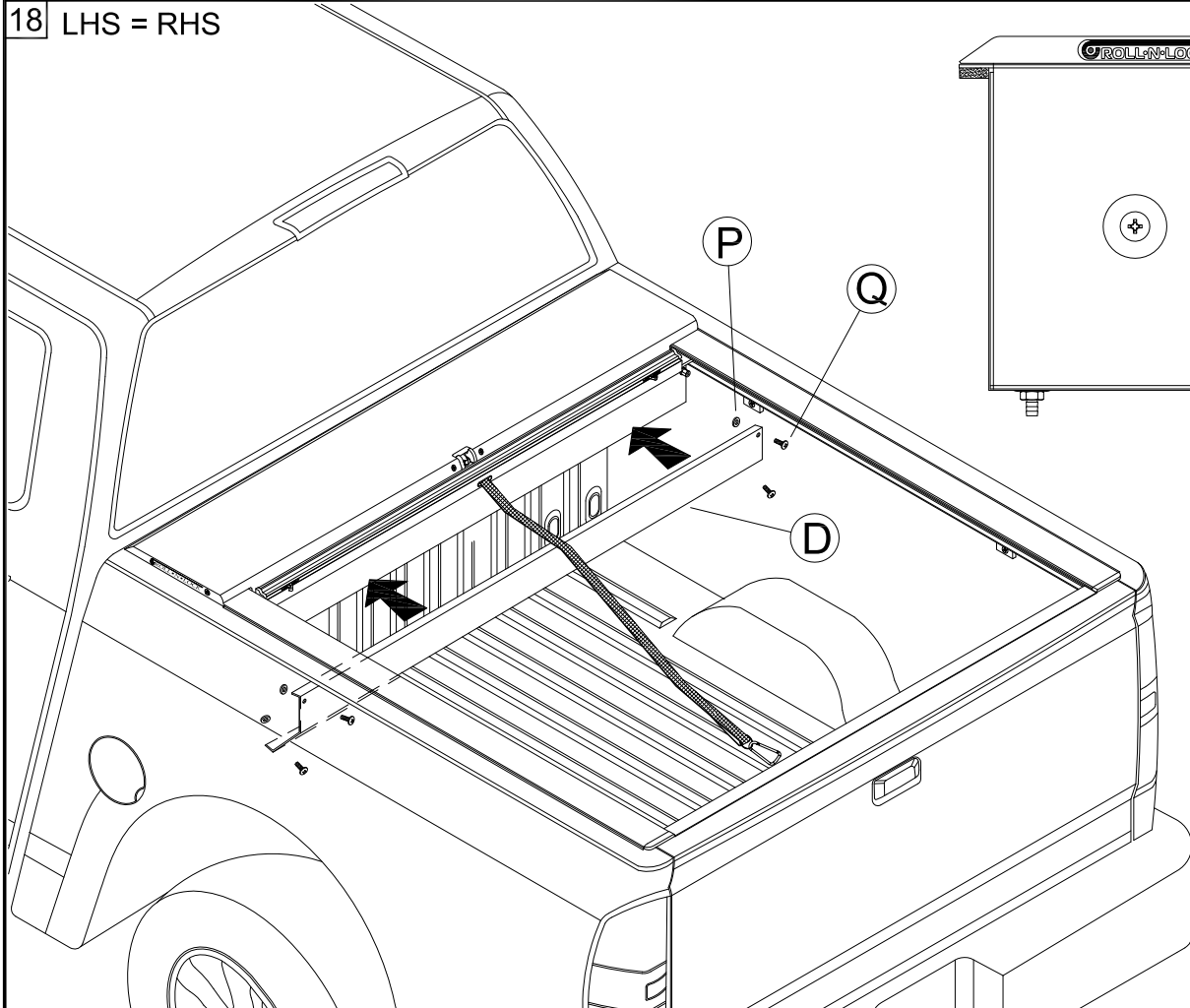


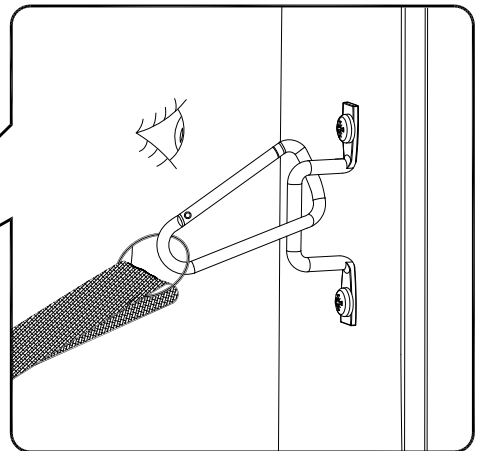
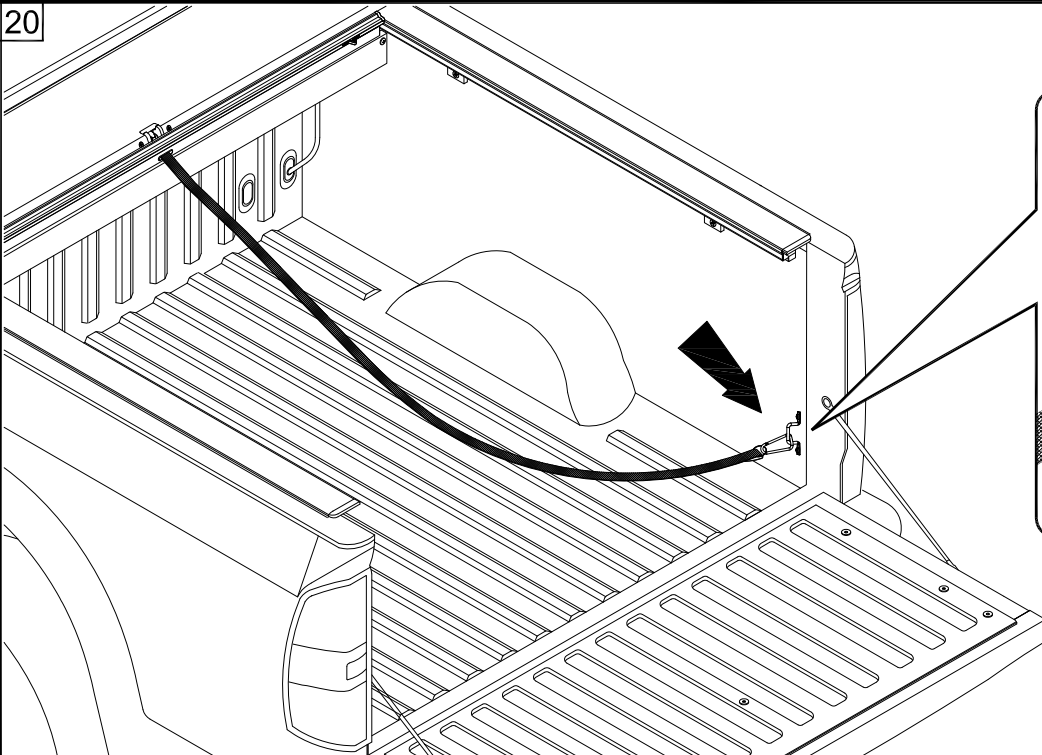
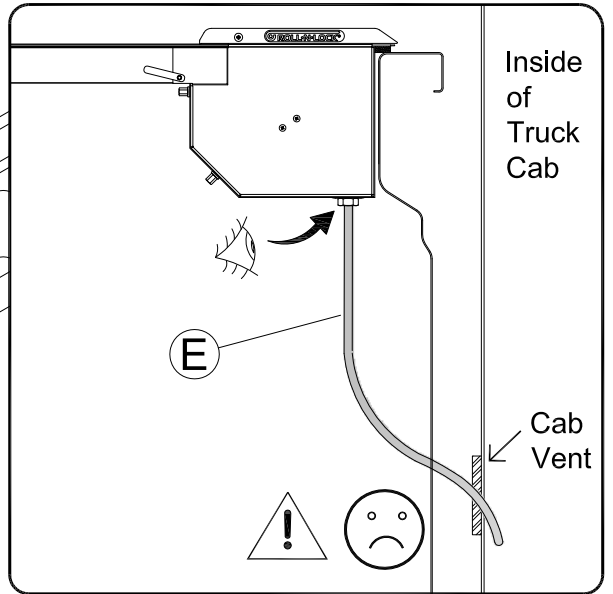
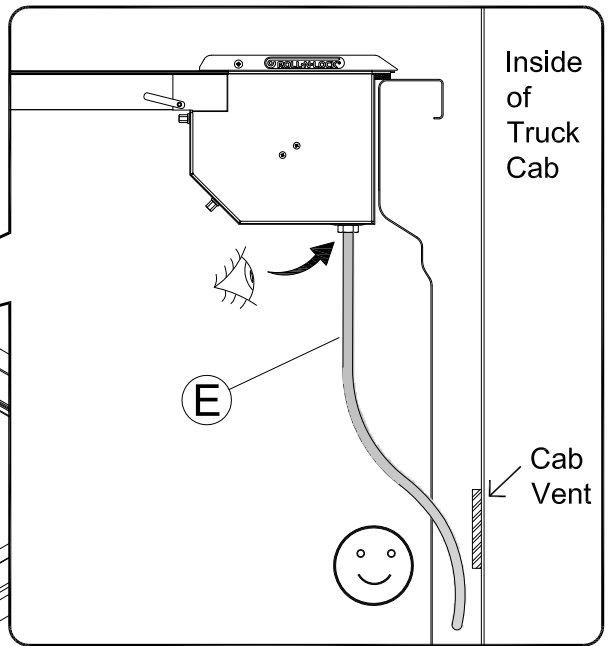
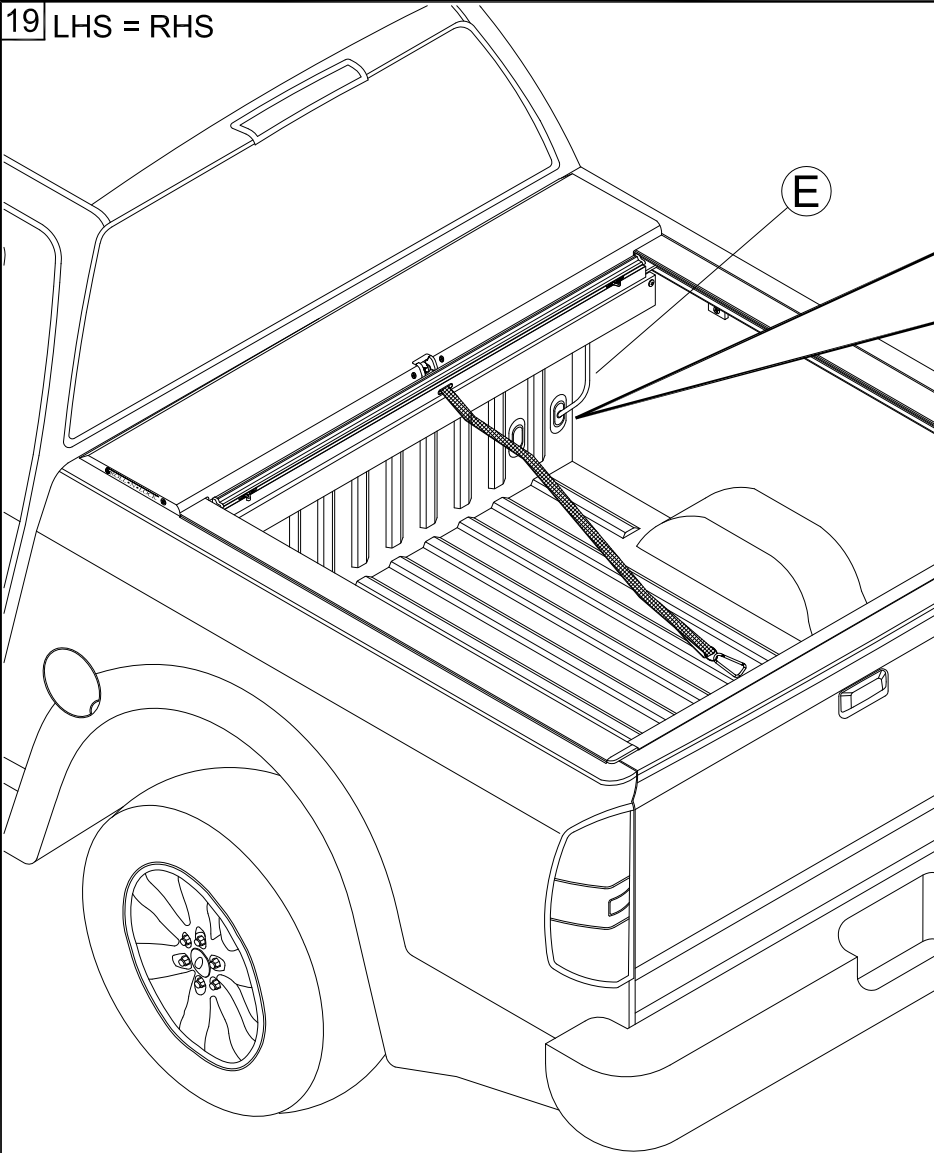
17



3

18 LHS = RHS

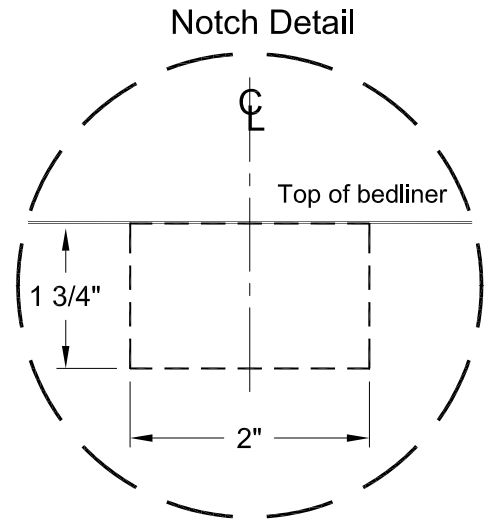
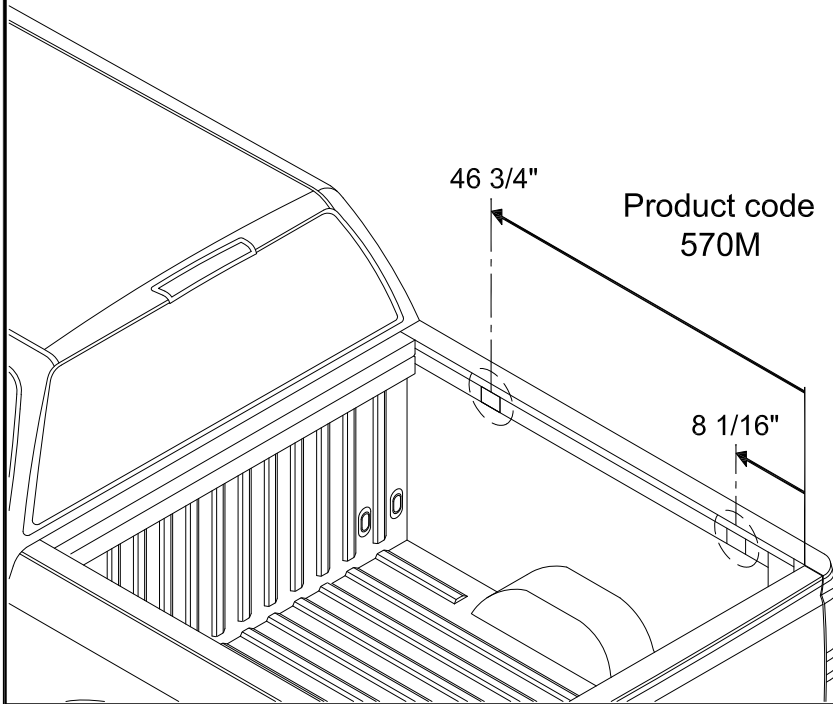




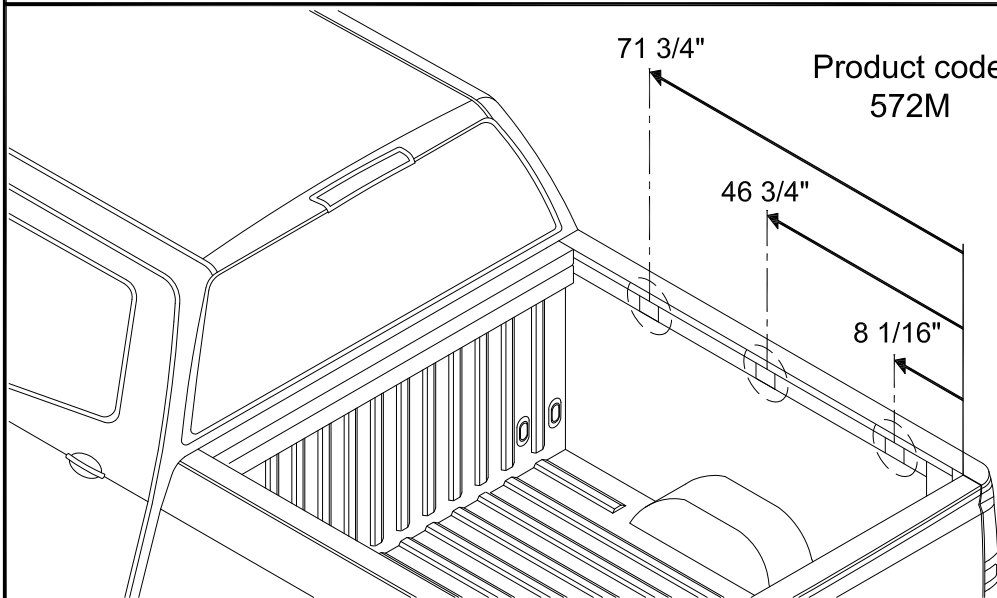
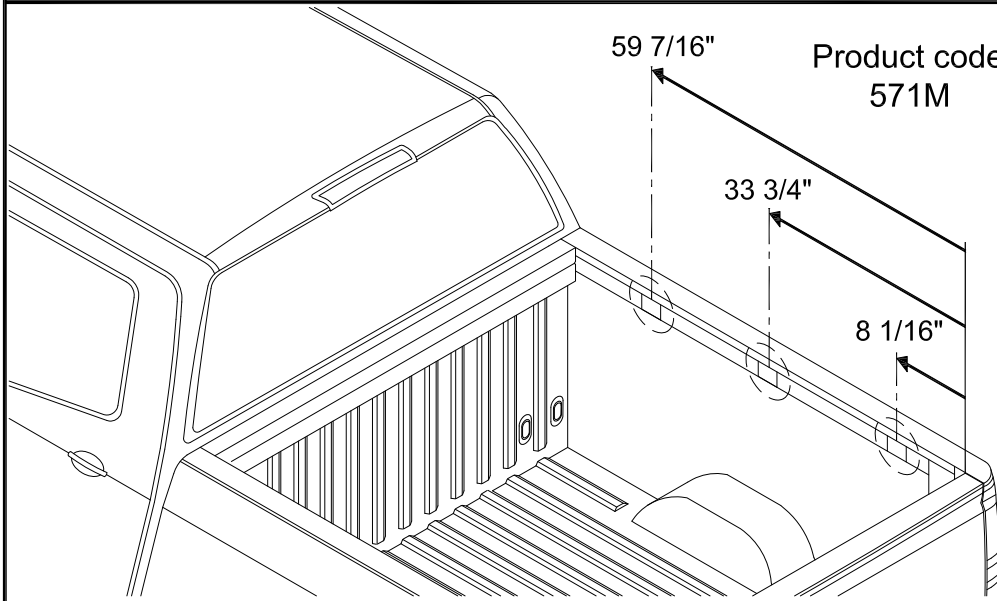
1

For applications with no "Deck Rail System"

If no bedliner present proceed to page 17.



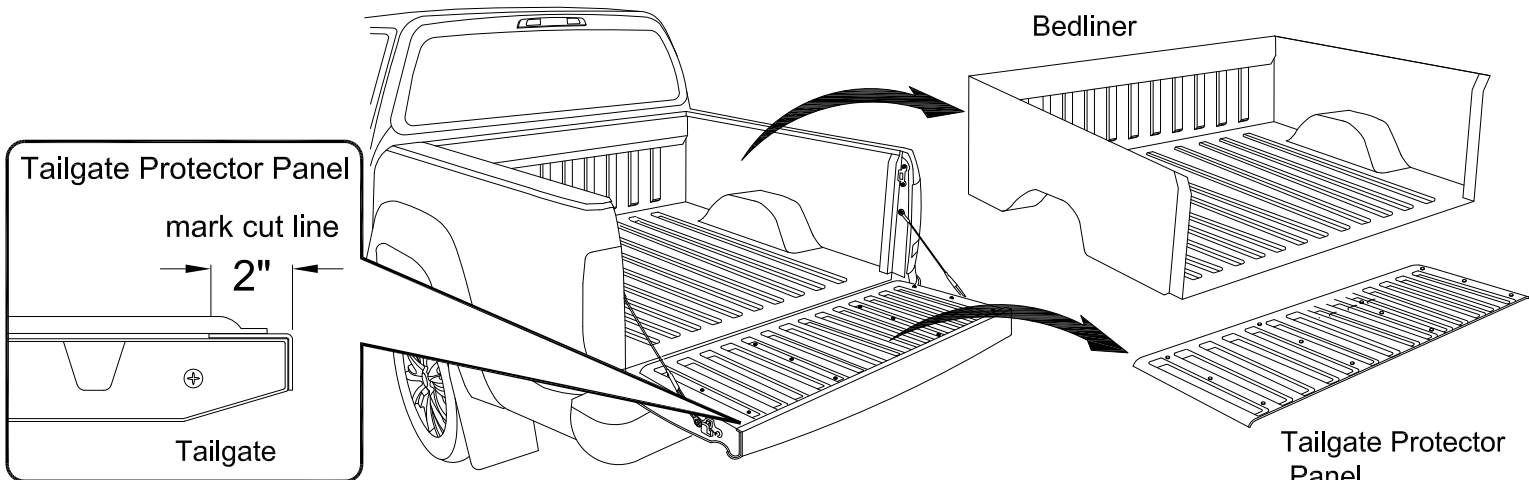
Measure from the inside of the tailgate along the top edge of the bedliner to each measurement provided below for your specific product code. Each mark is the center of 2" x 1 3/4" notch needed on the top edge of the bedliner.



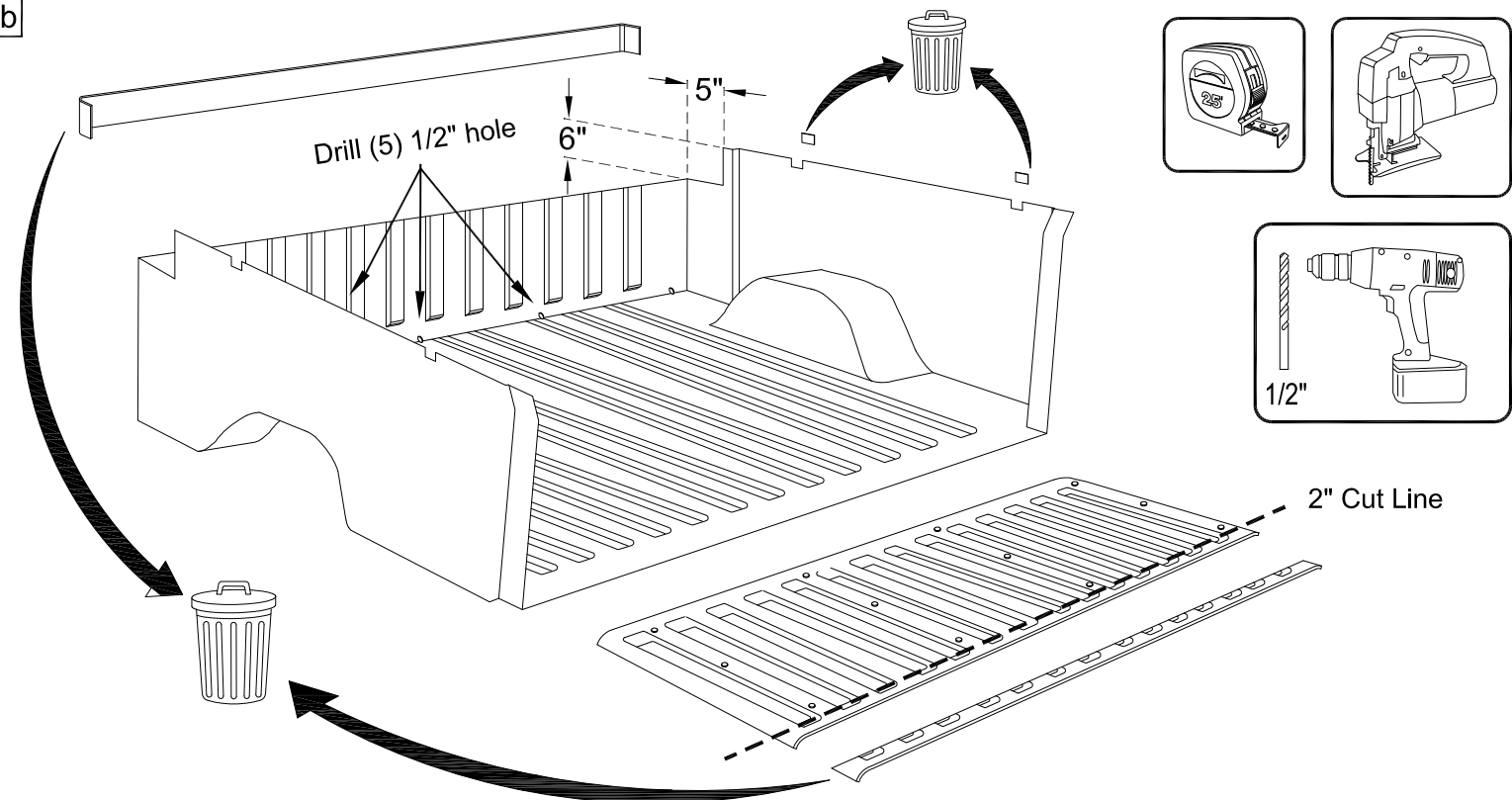
1a

For applications with no "Deck Rail System"

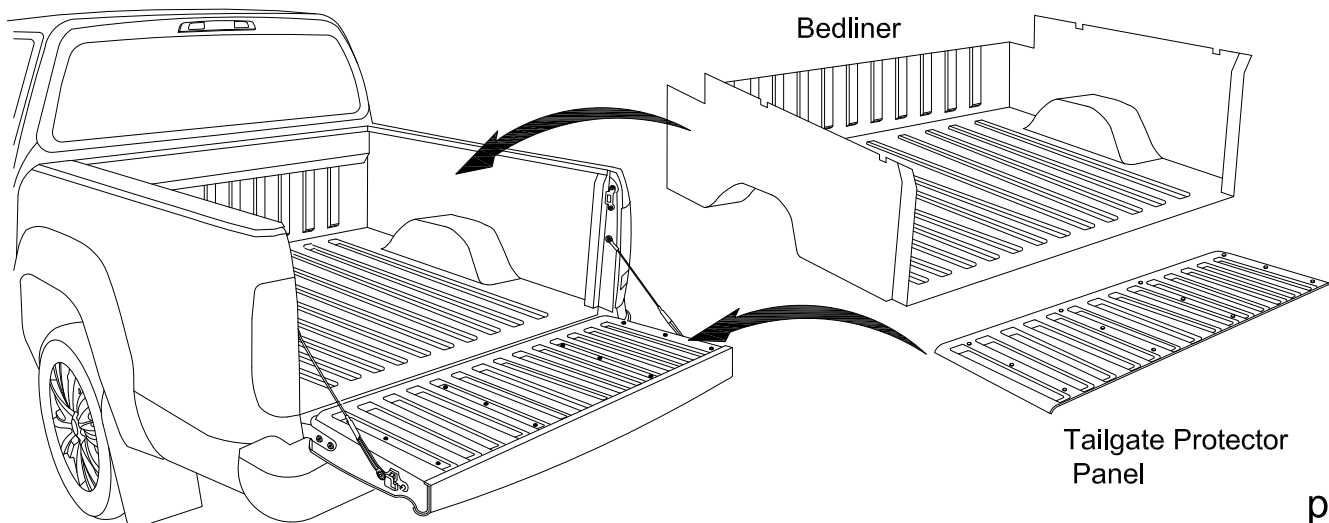
If no bedliner present proceed to page 17.



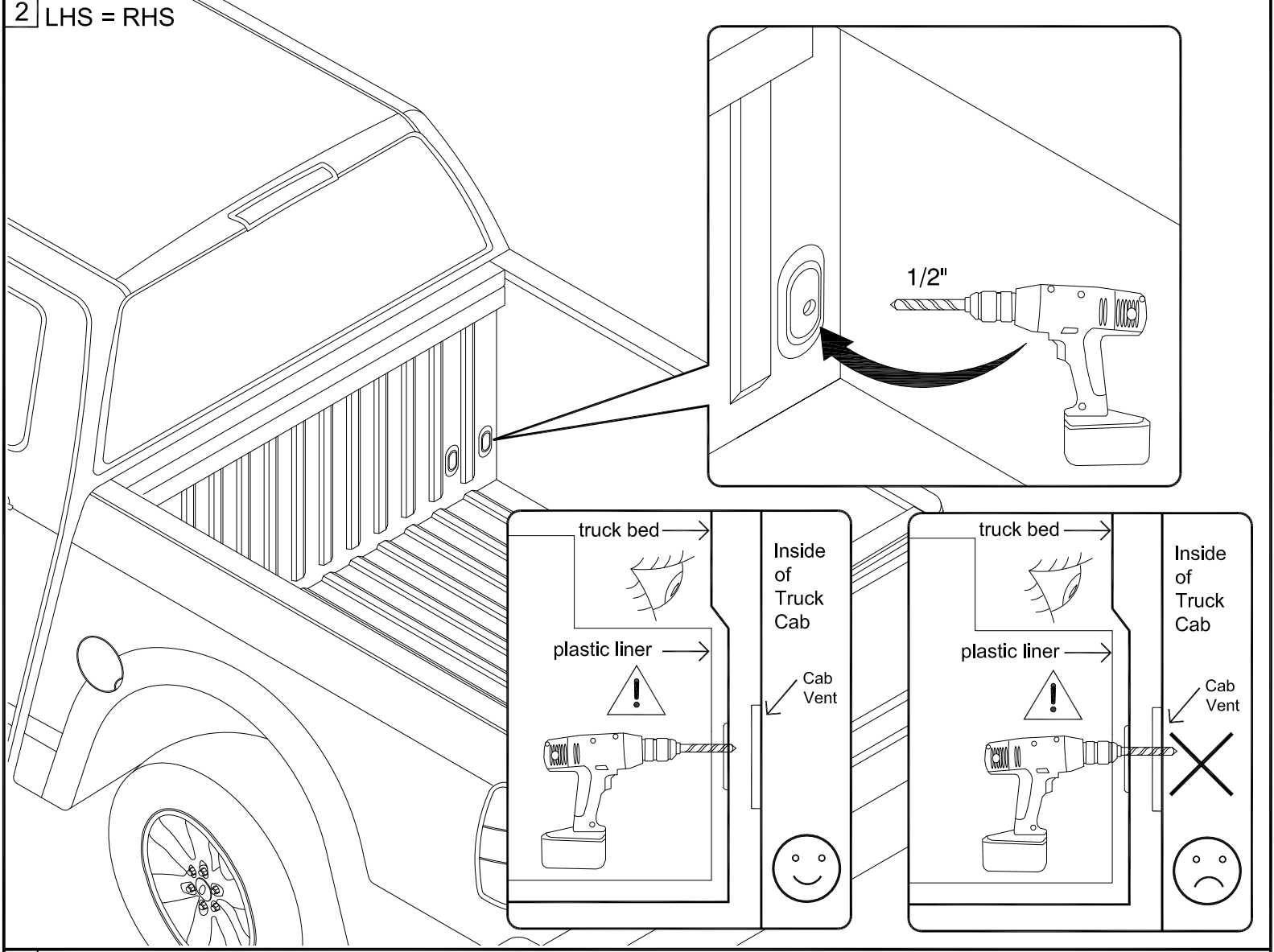
1b



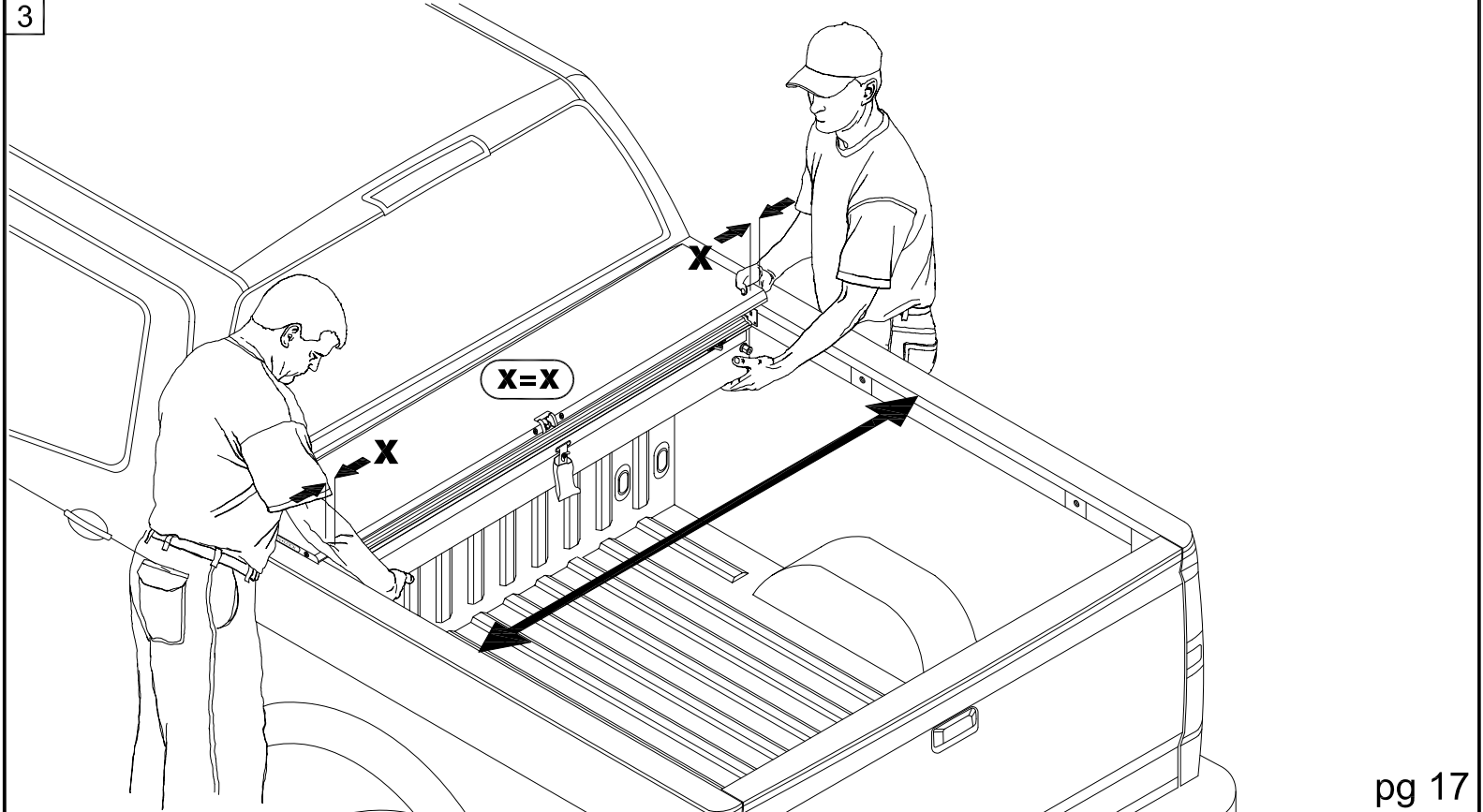
1c



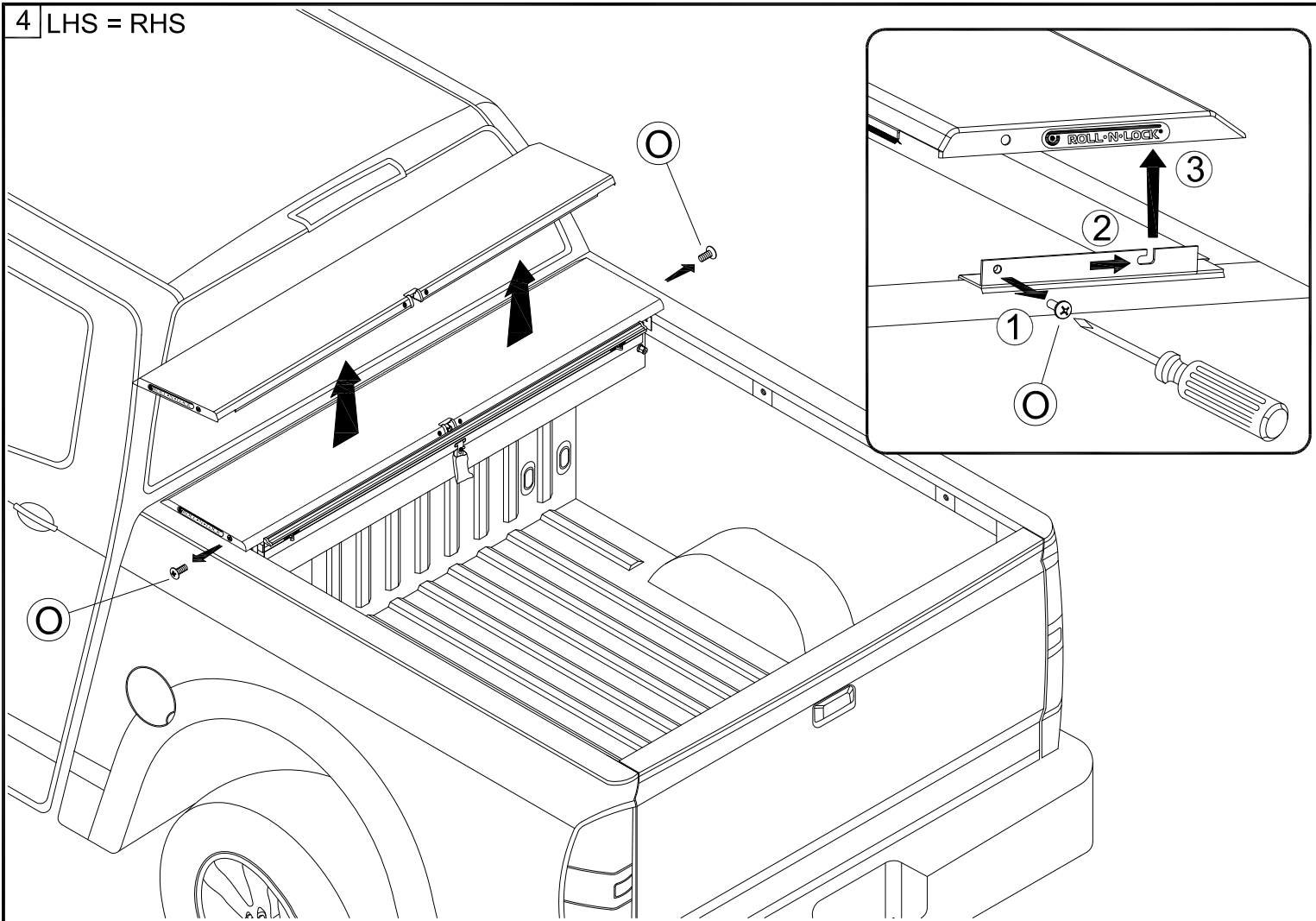
2 LHS = RHS



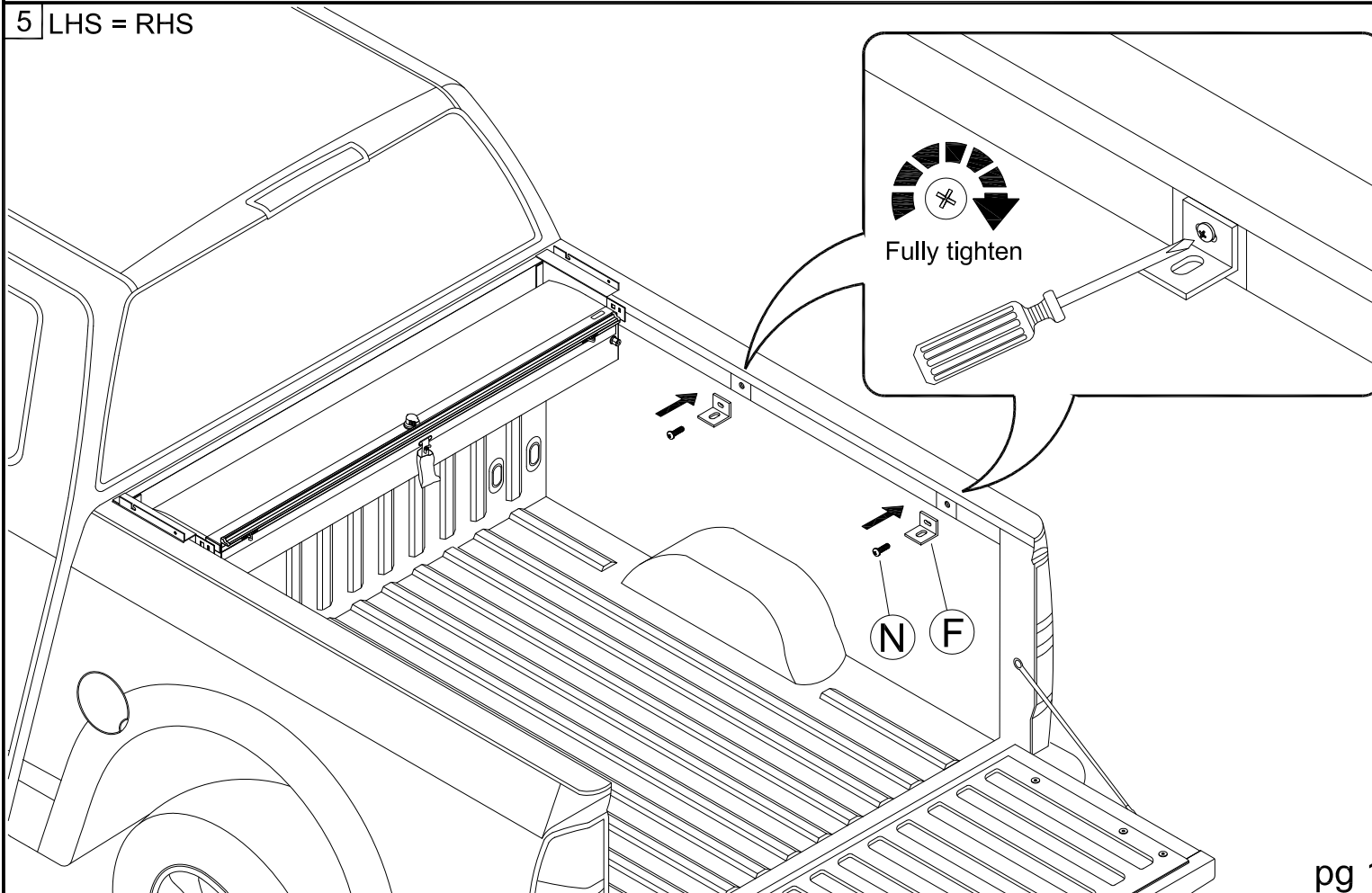
3



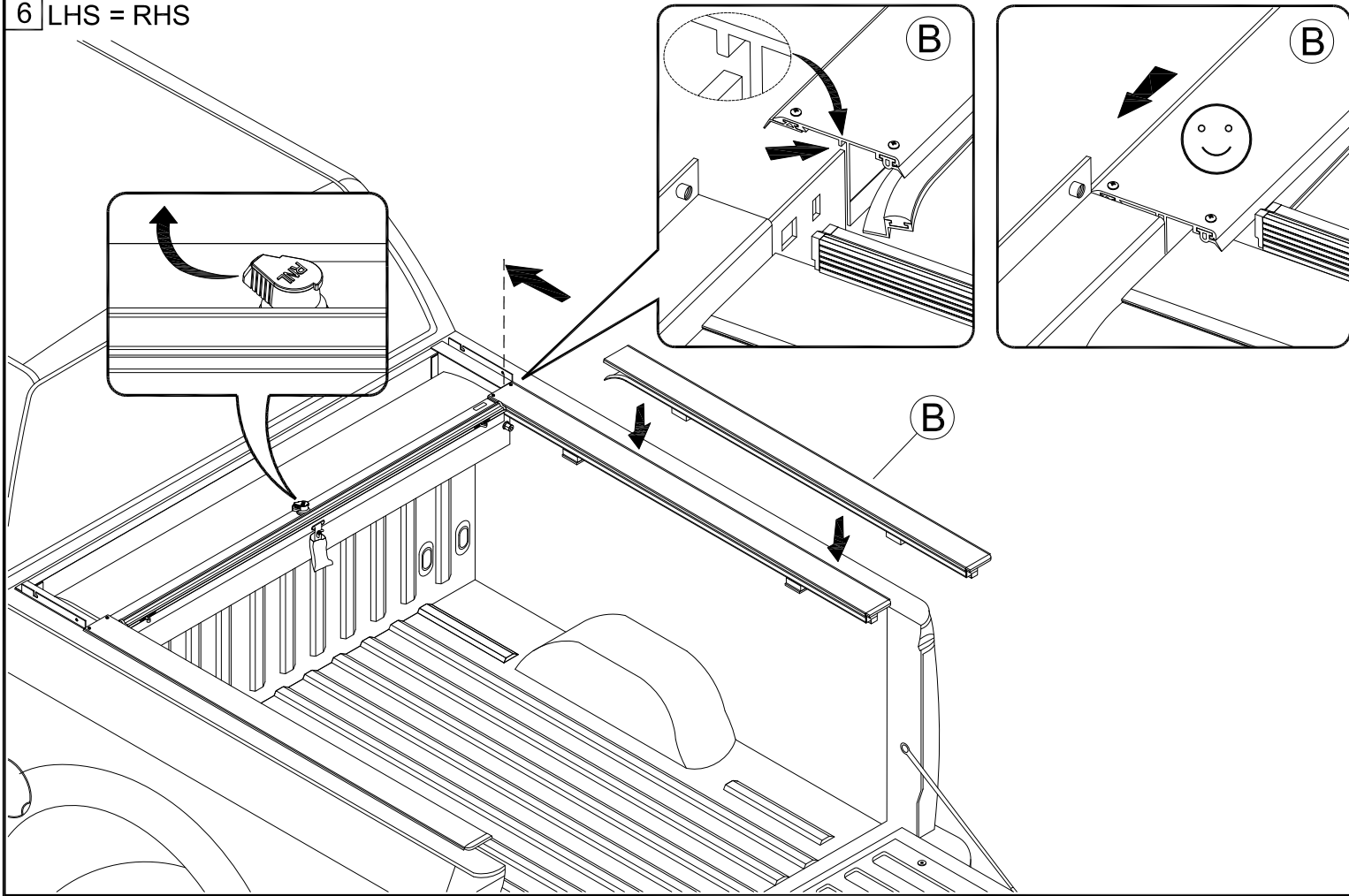
4 LHS = RHS



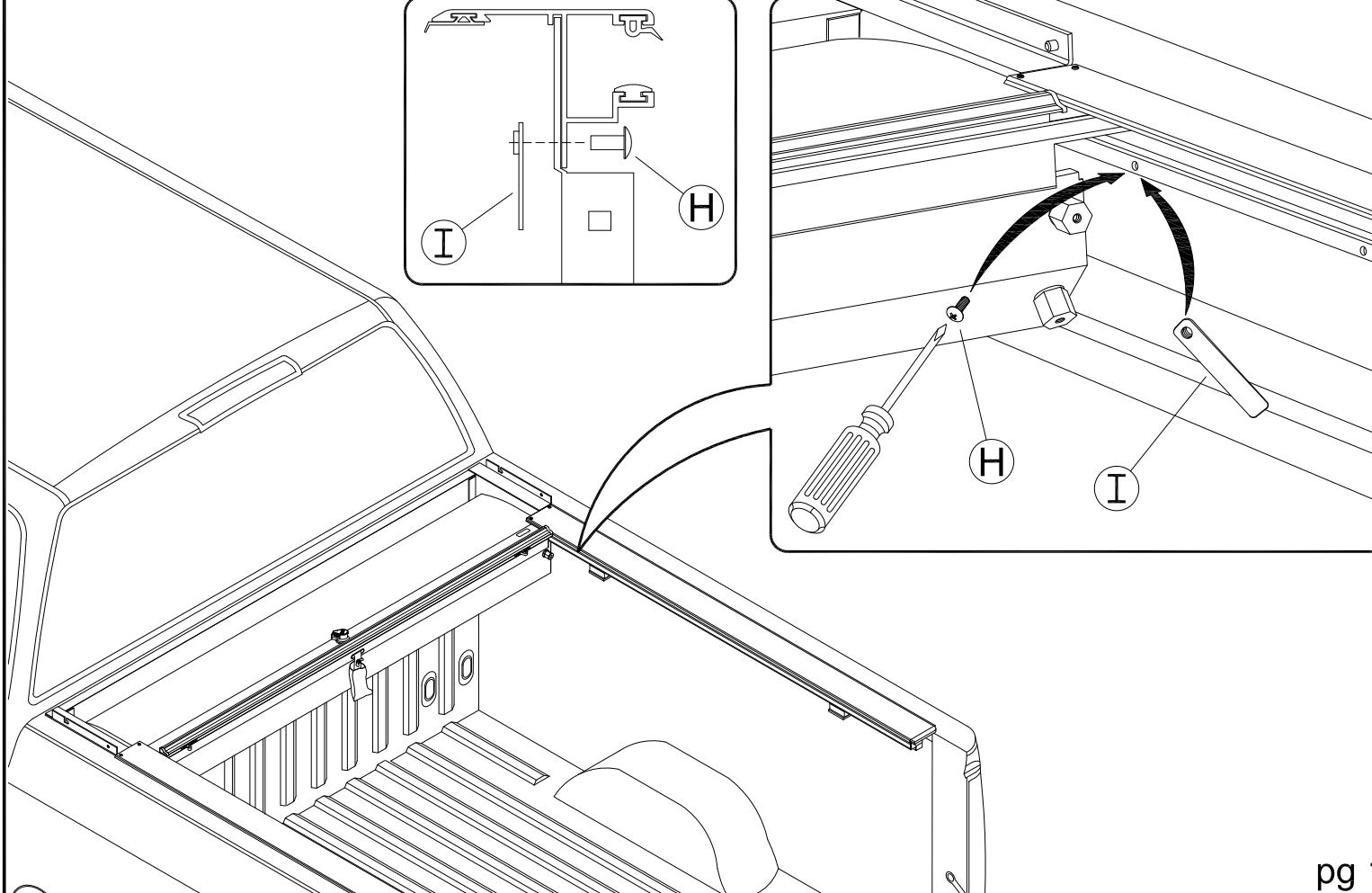
5 LHS = RHS



6 LHS = RHS

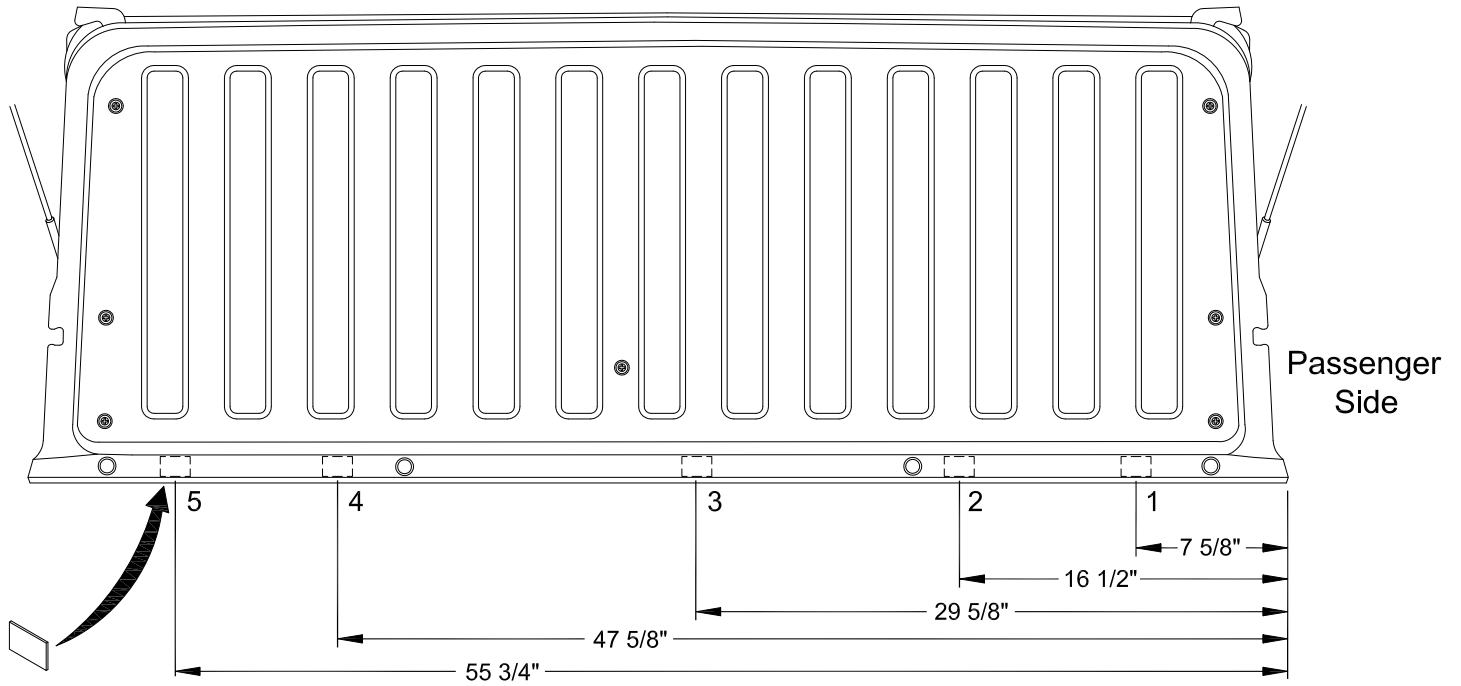


7 LHS = RHS



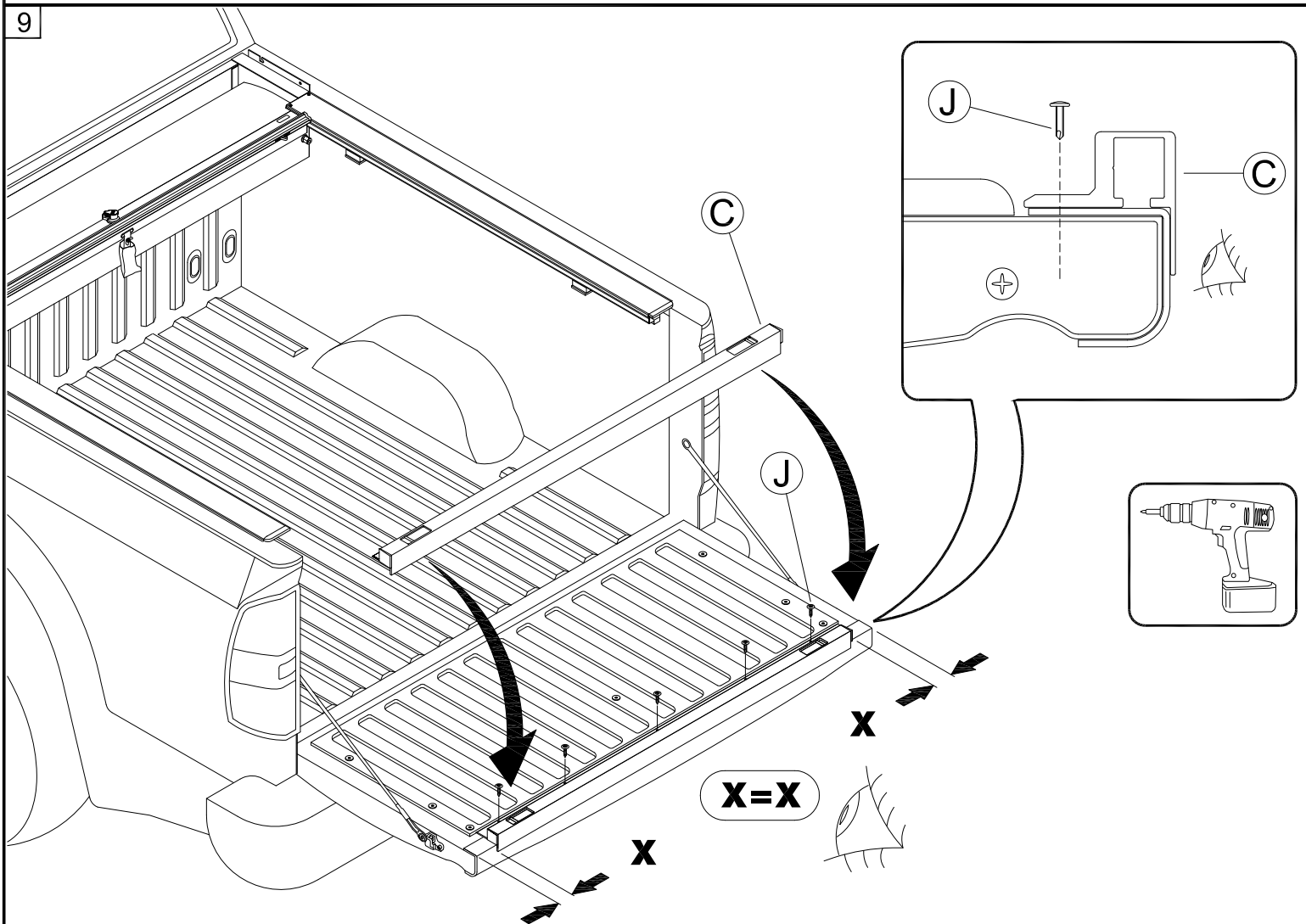
8

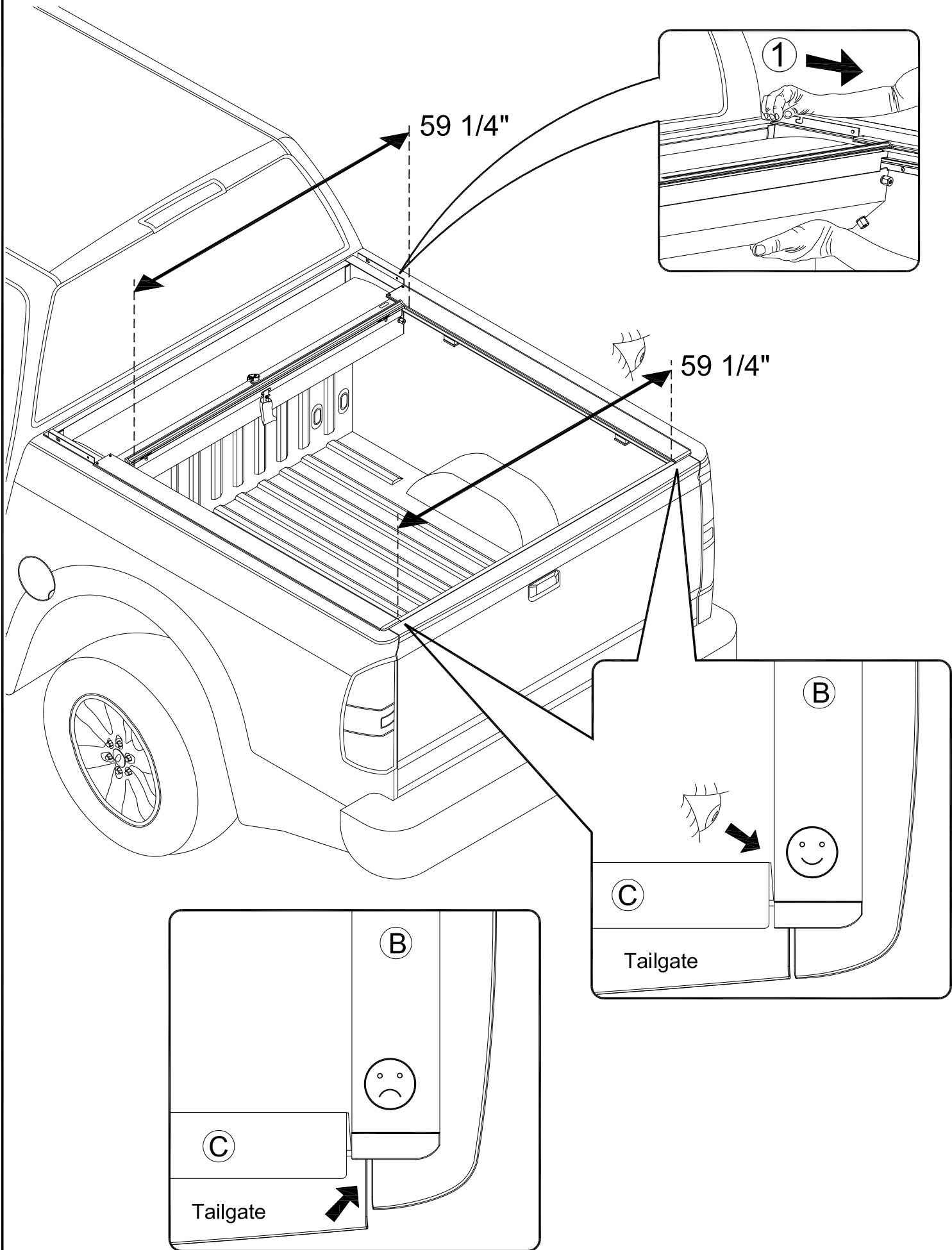
Install the Tailgate Extrusion

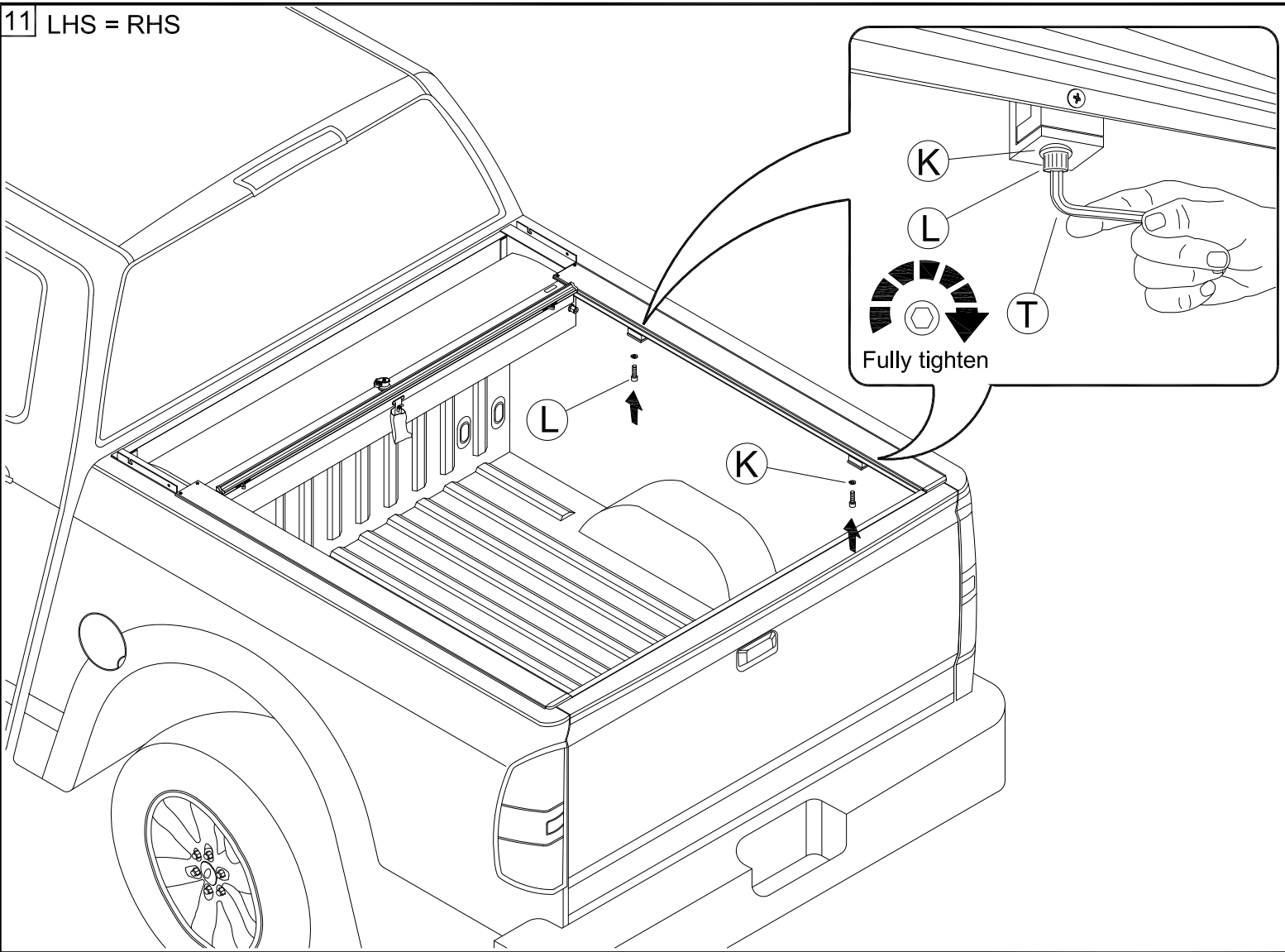


Lower the tailgate and insert (5) black plastic shims beneath the inside flange of the tailgate cap.

9

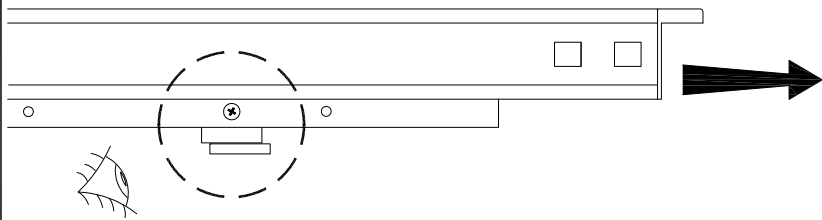




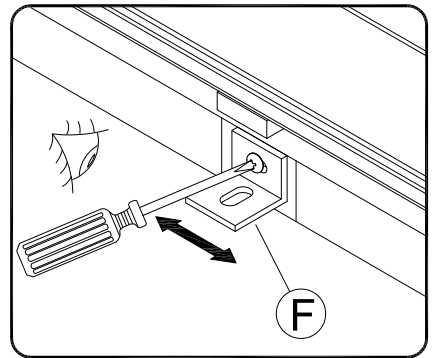


Trouble Shooting

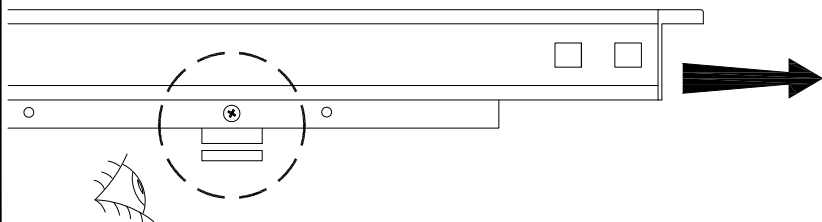
Angle and track clamp do not line up.



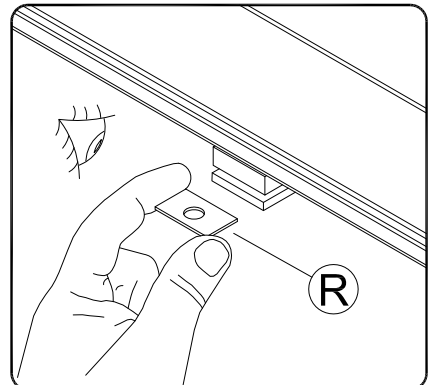
Lift track and shift angle to line up with track clamp.



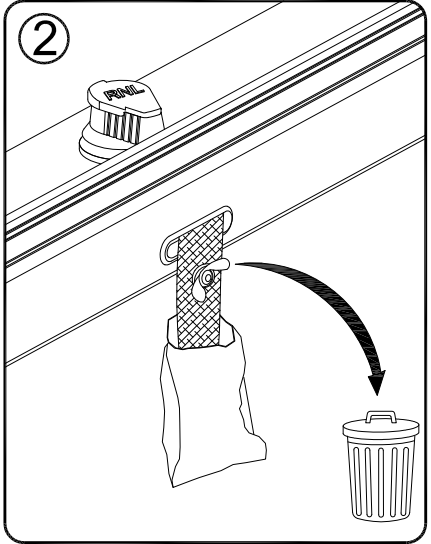
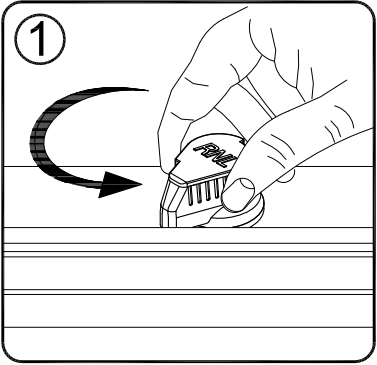
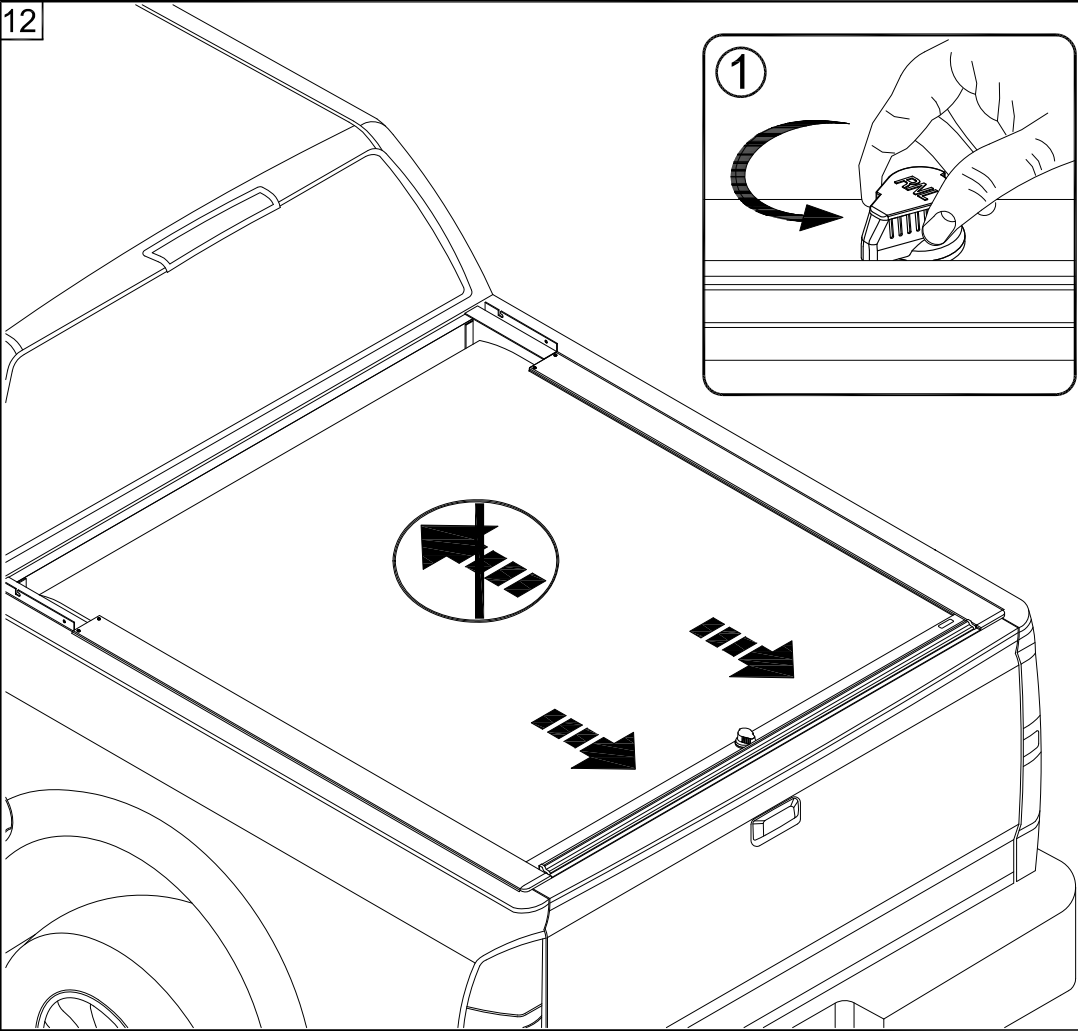
Space between track and angle.



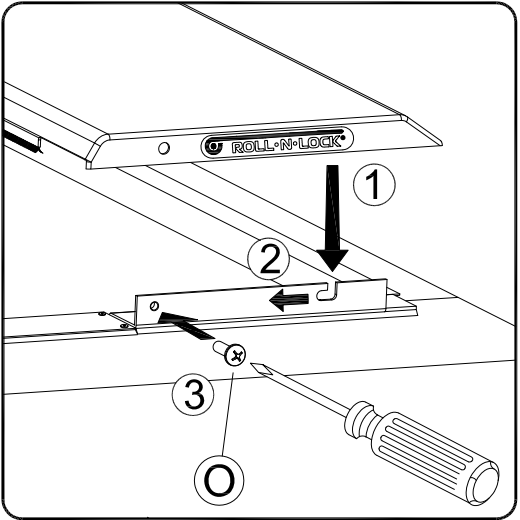
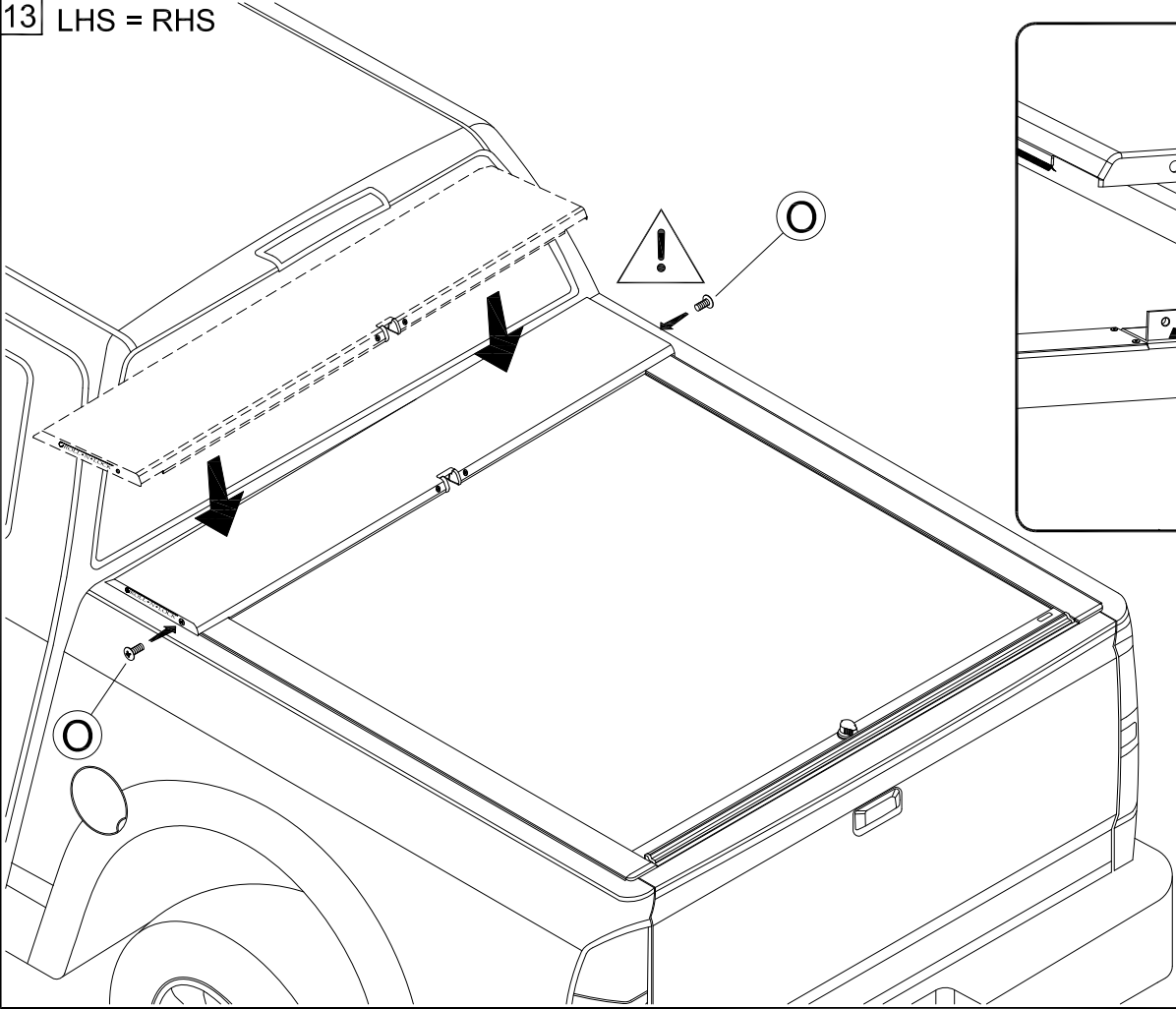
Add supplied shim between angle and track.



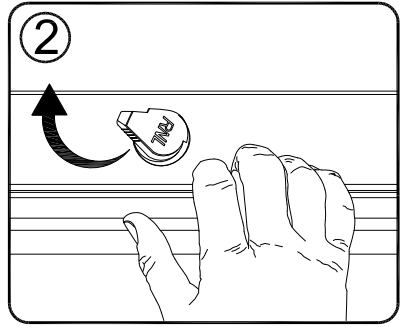
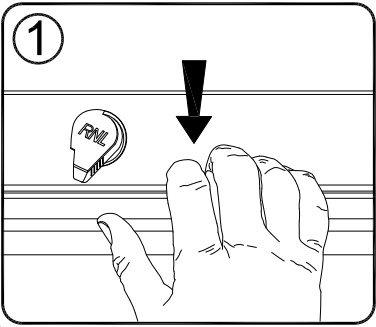
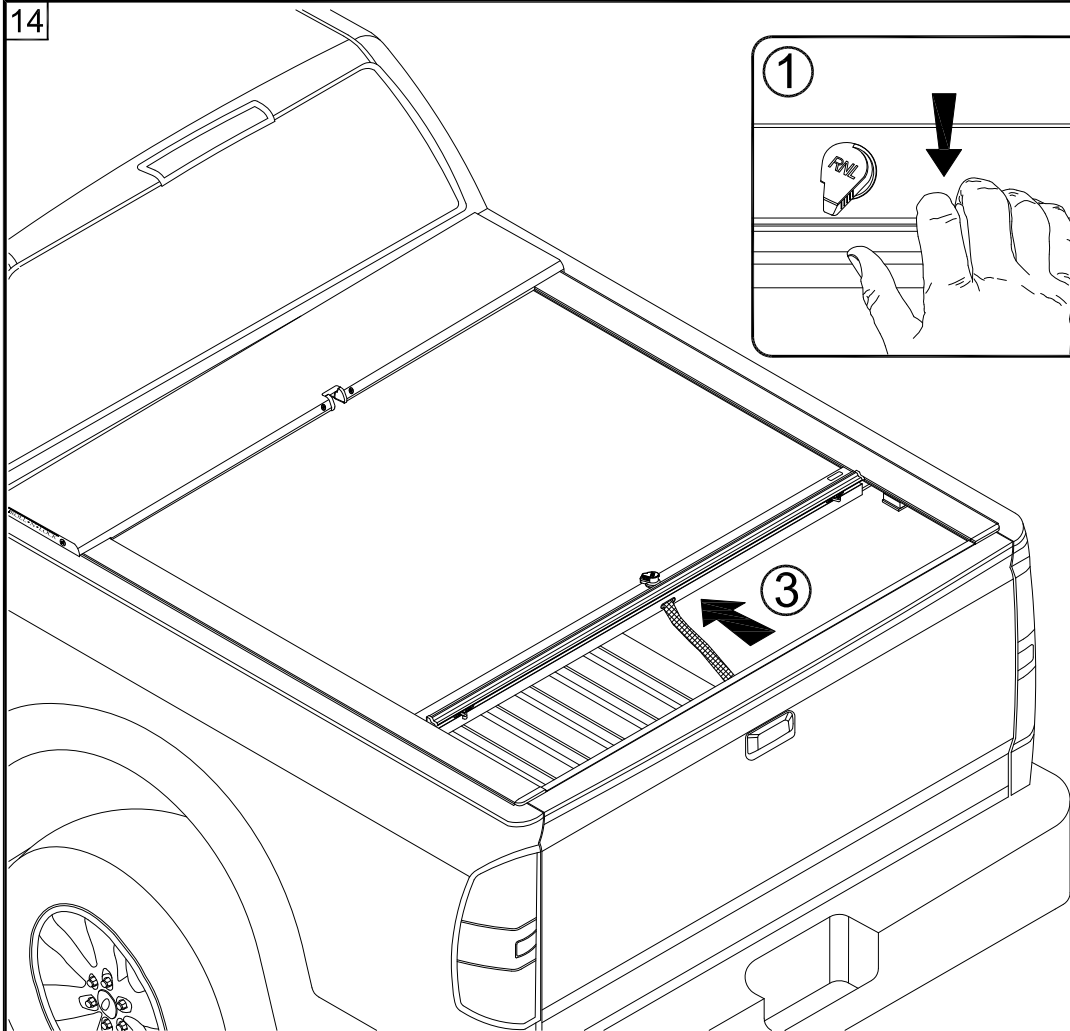
12



13 LHS = RHS

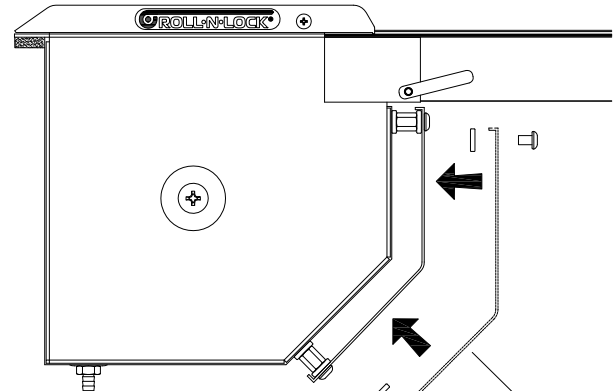
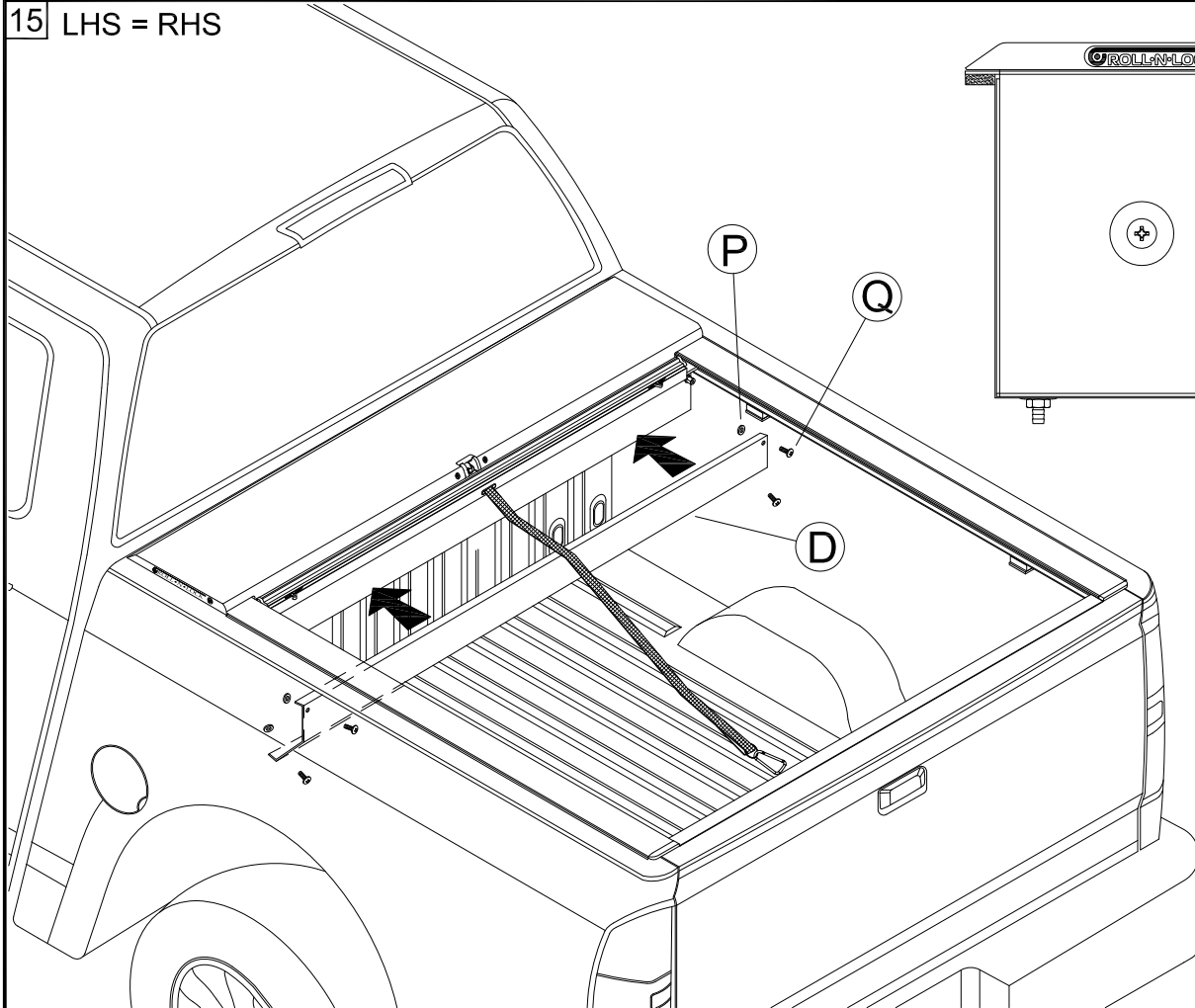


14

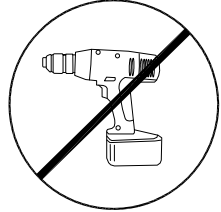


3

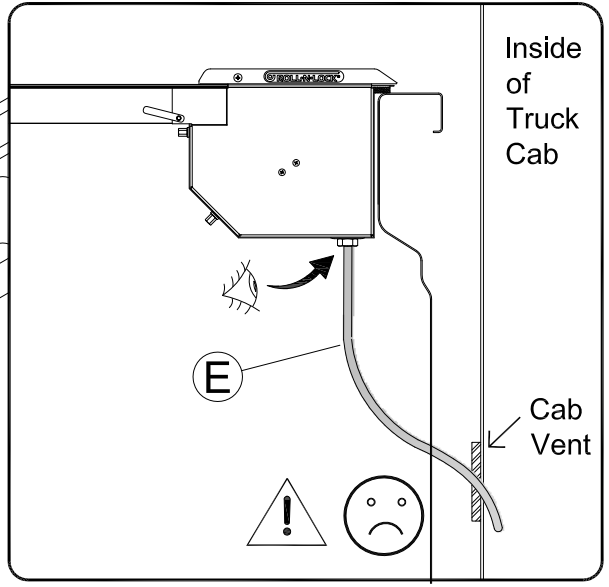
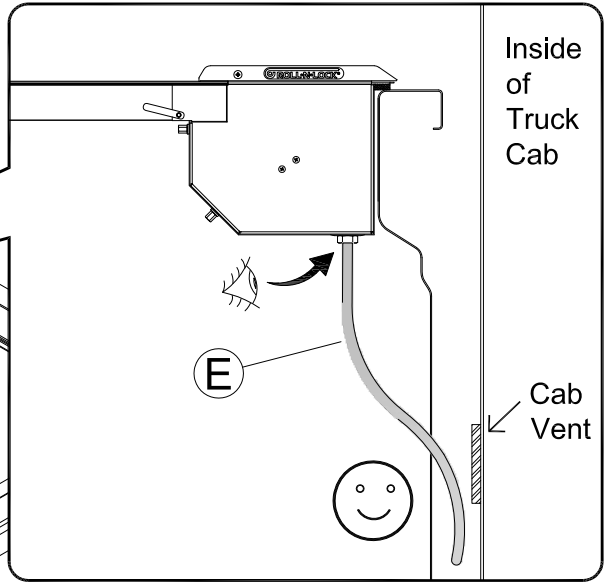
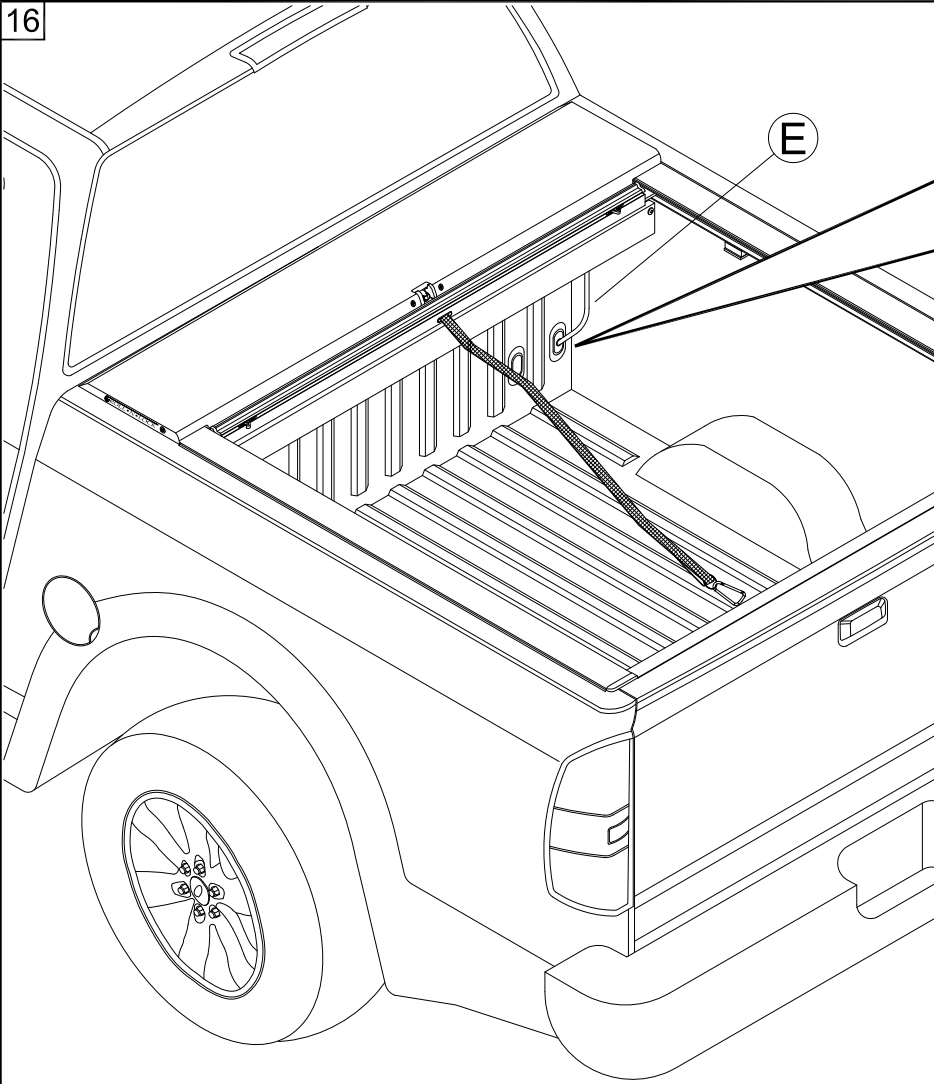
15 LHS = RHS



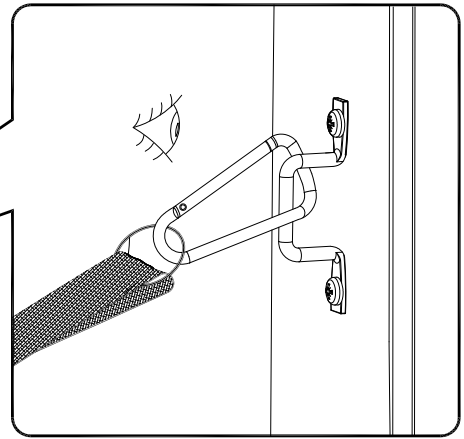
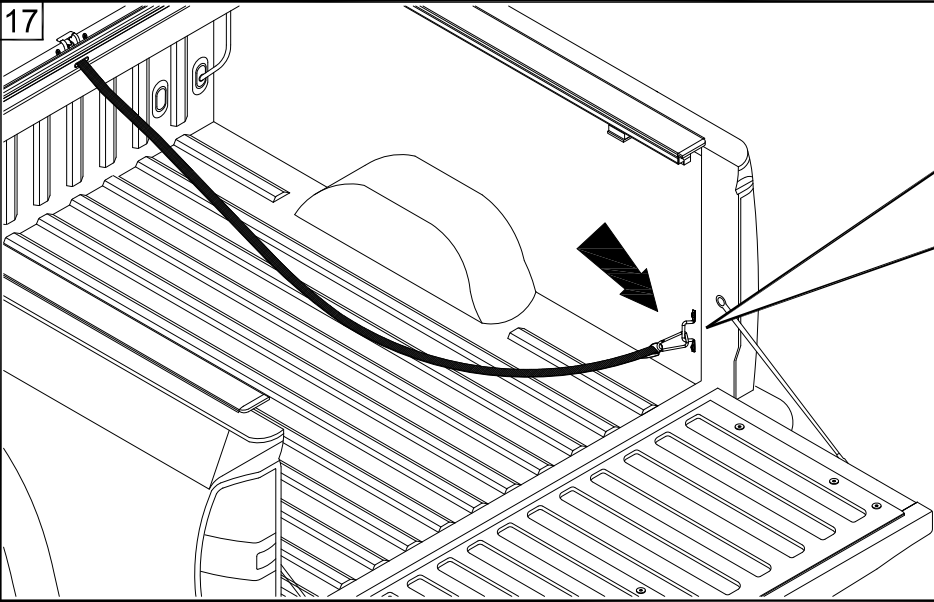
P
Q



16



17



Any questions please call Roll•N•Lock
 Customer Service at 800-952-7655 or rollnlock.com