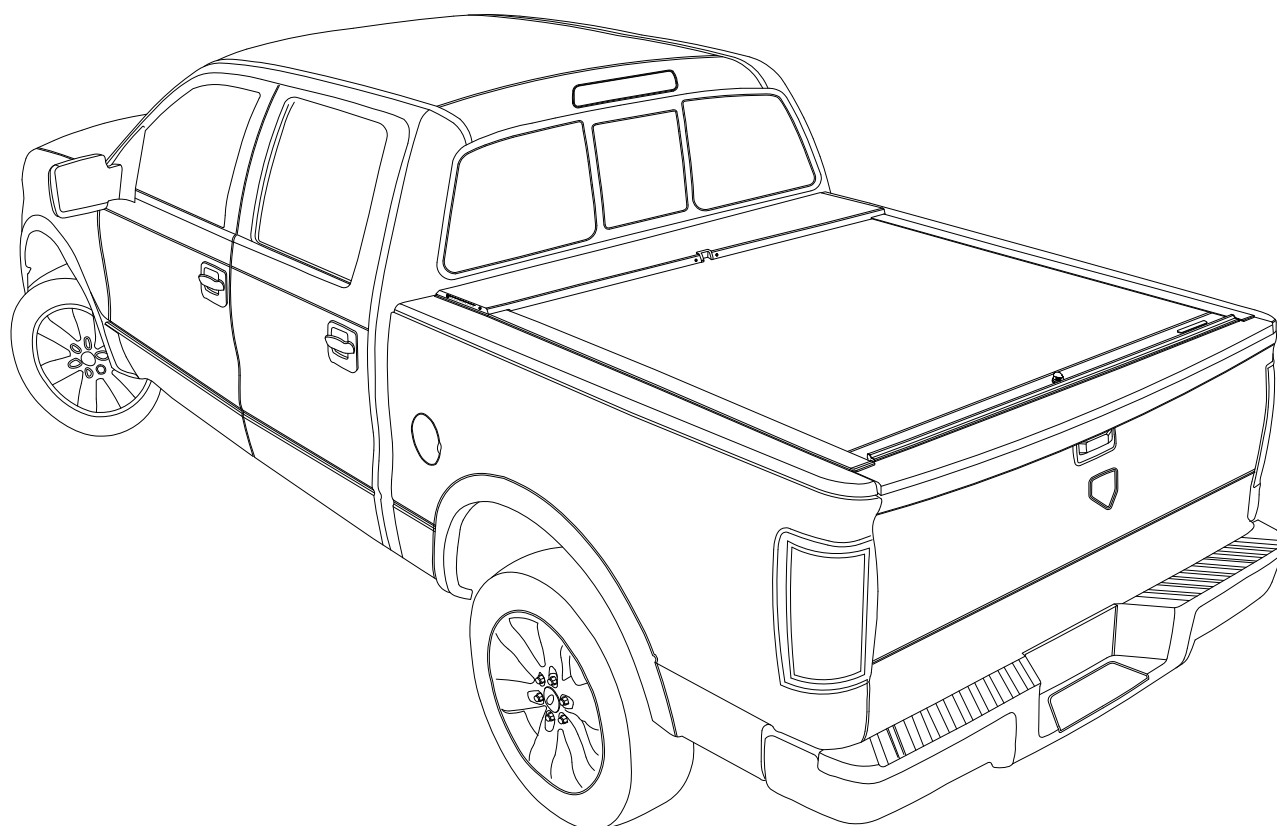




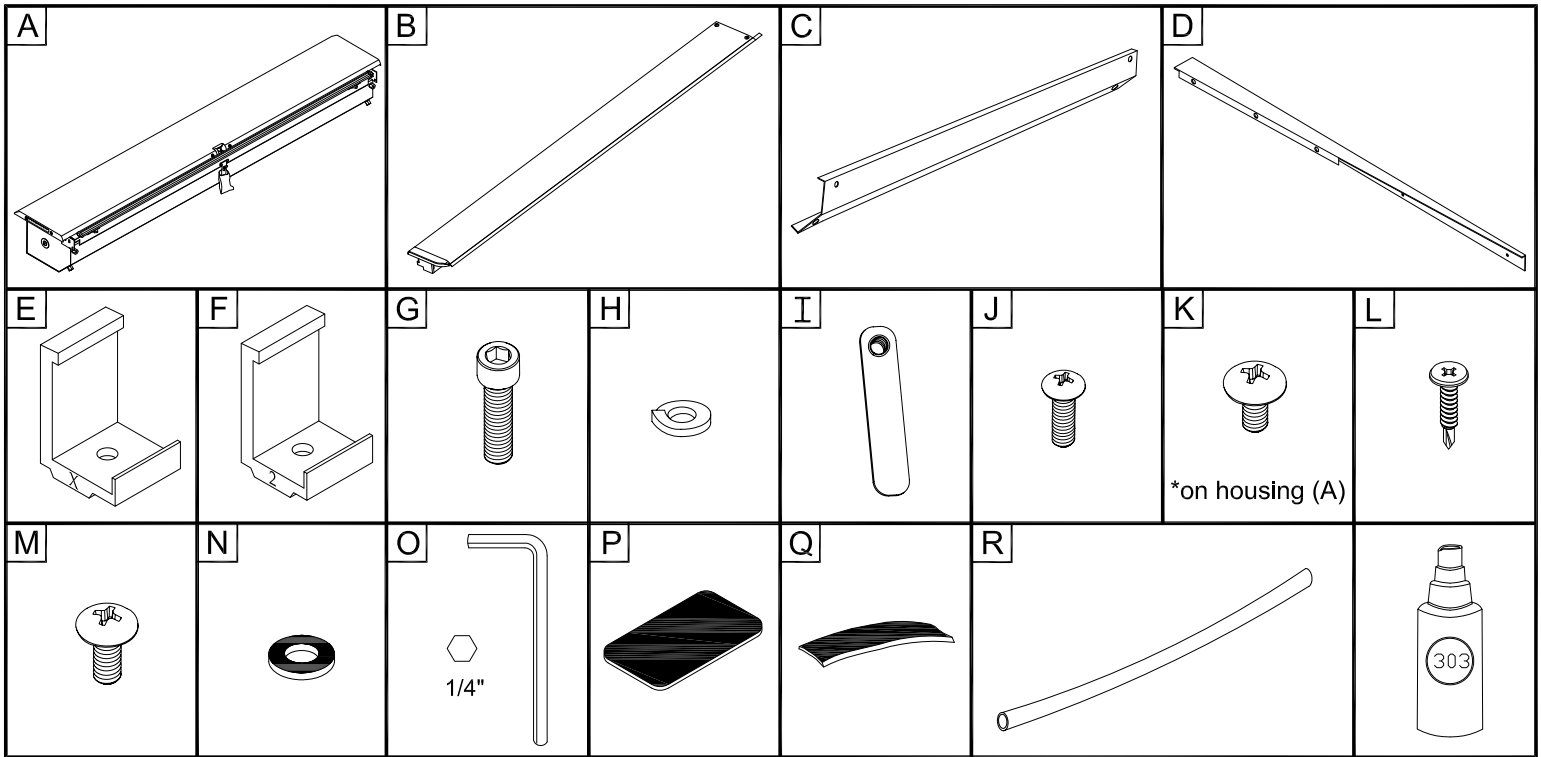
Dodge Ram Installation Guide



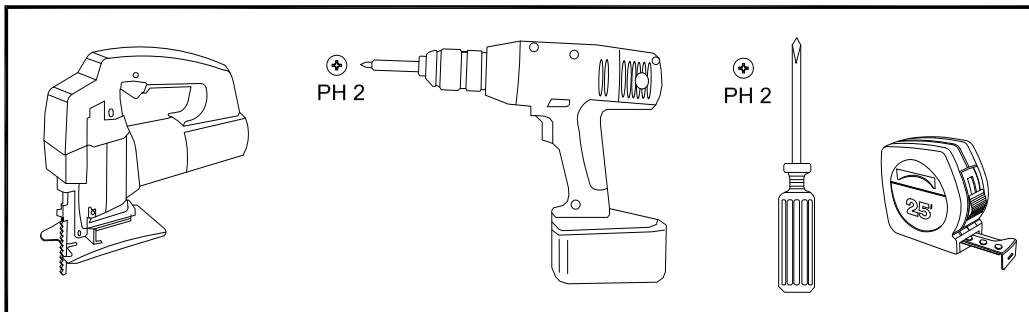
Product Code
448 - 449

Parts List

Item	Part Name	Qty.	Item	Part Name	Qty.	Item	Part Name	Qty.
A	Housing	1	G	5/16" x 1" Cap Screw	6	M	1/4-20 x 3/8" Screw	4
B	Track	2	H	5/16" Lock Washer	6	N	Rubber Washer	4
C	Cargo Shield	1	I	Cargo Nut	2	O	Allen Wrench (1/4")	1
D	Mounting Flange	2	J	#10-24 Screw	2	P	Stake Hole Cover	2
E	Bed "X" Clamp	2	K	1/4" Lid Screw	2	Q	Butyl Caulk Strip	2
F	Bed "2" Clamp	4	L	#8 x 3/4" Self Tap Screw	12	R	Drain Tube	2
							303 Vinyl Protector	1

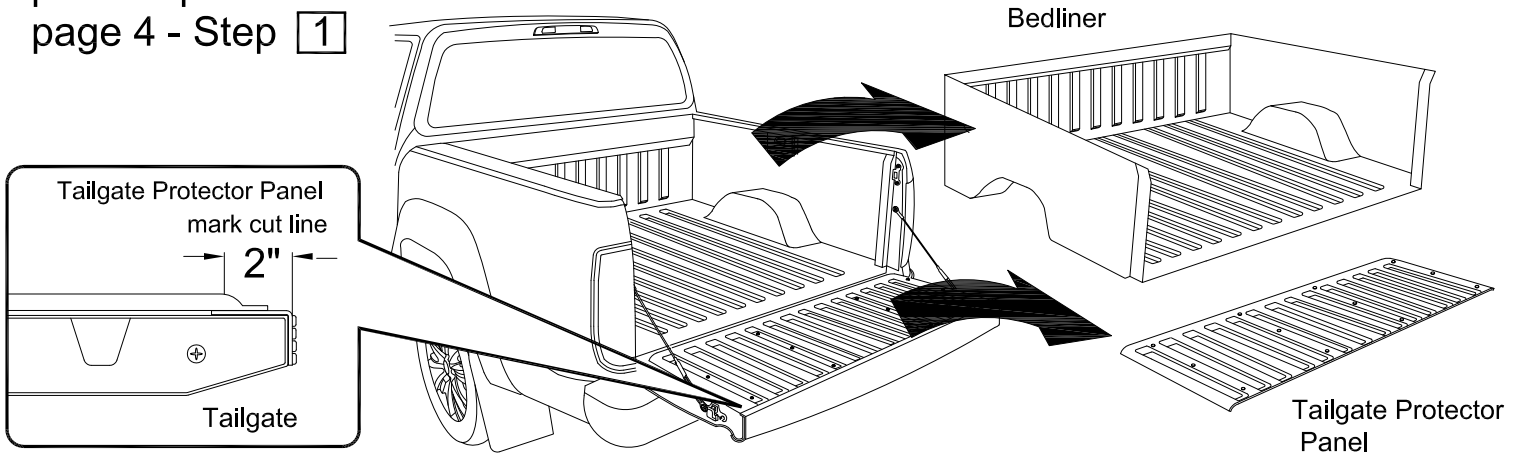


Tools Needed

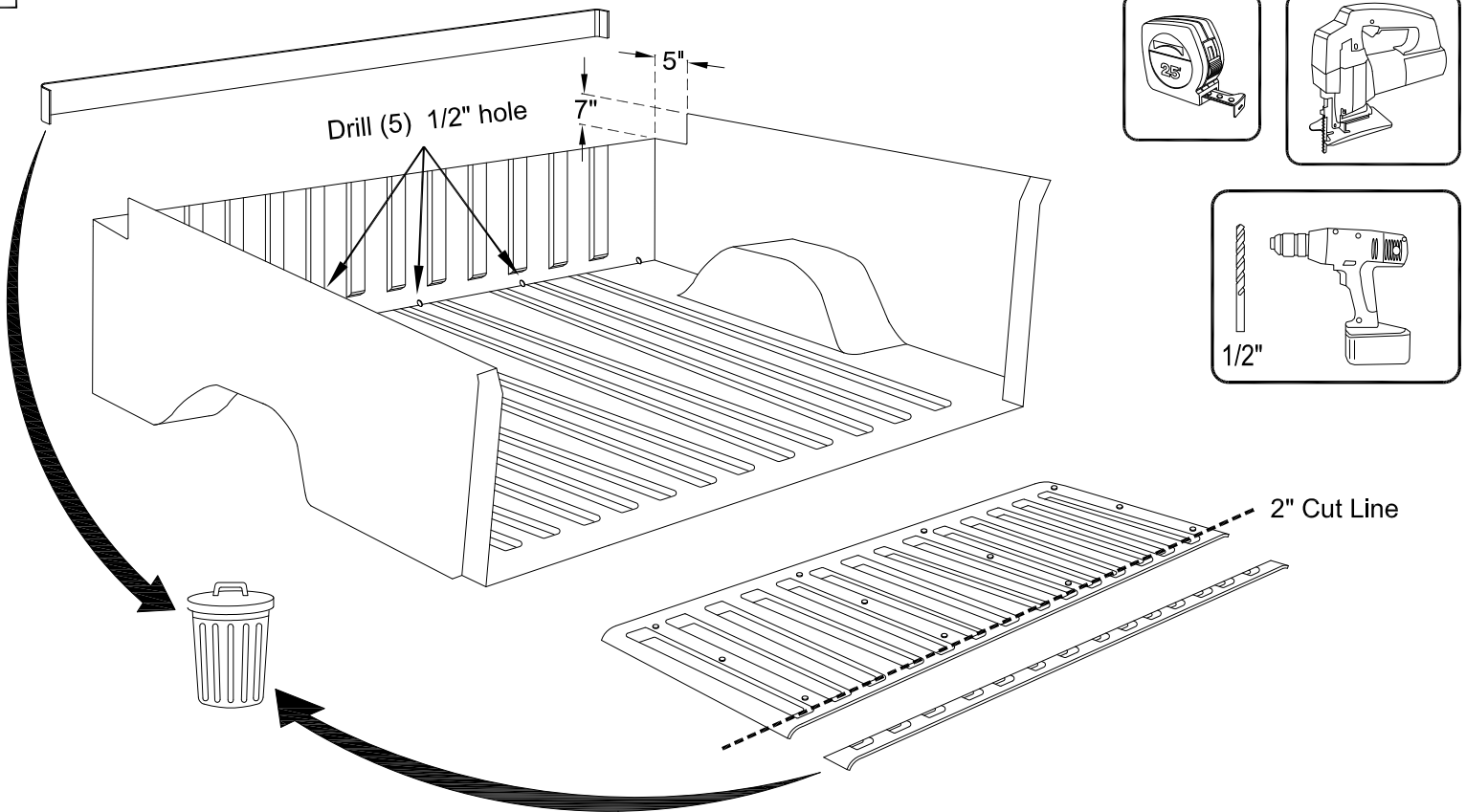


1a

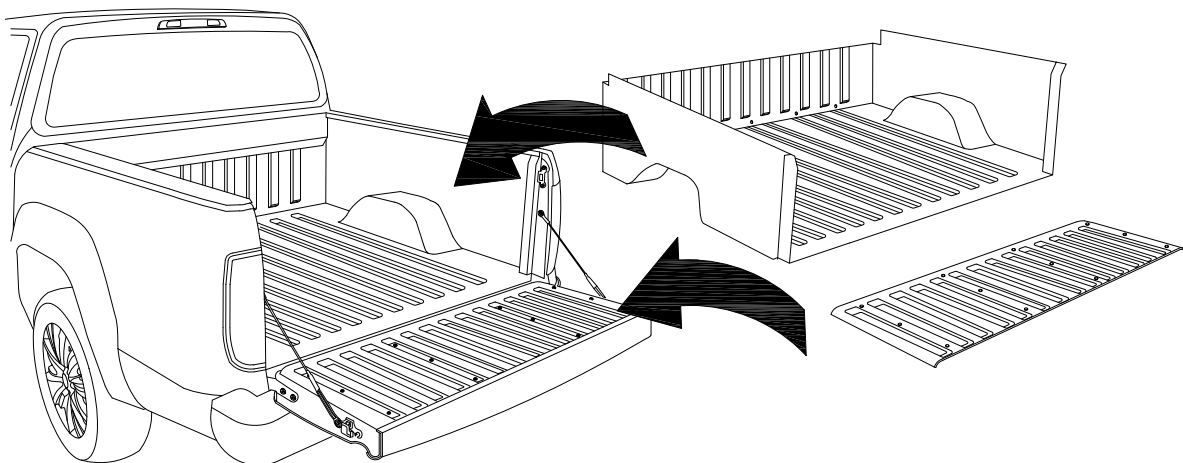
If no plastic bedliner present proceed to page 4 - Step 1



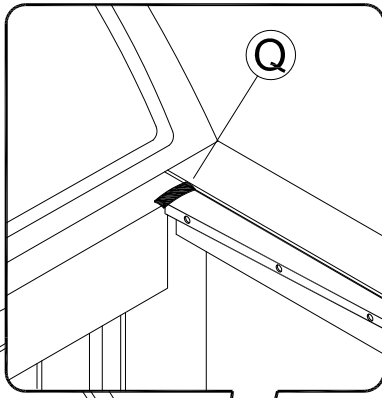
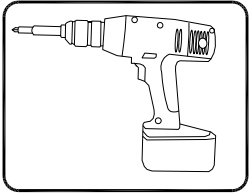
1b



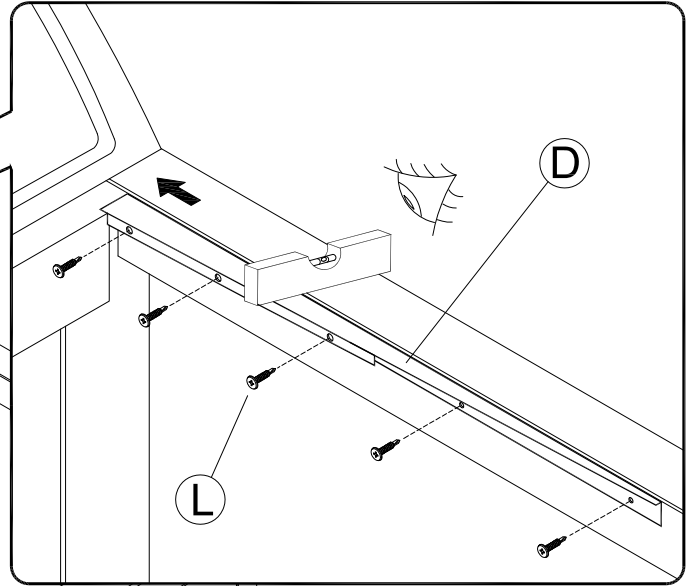
1c



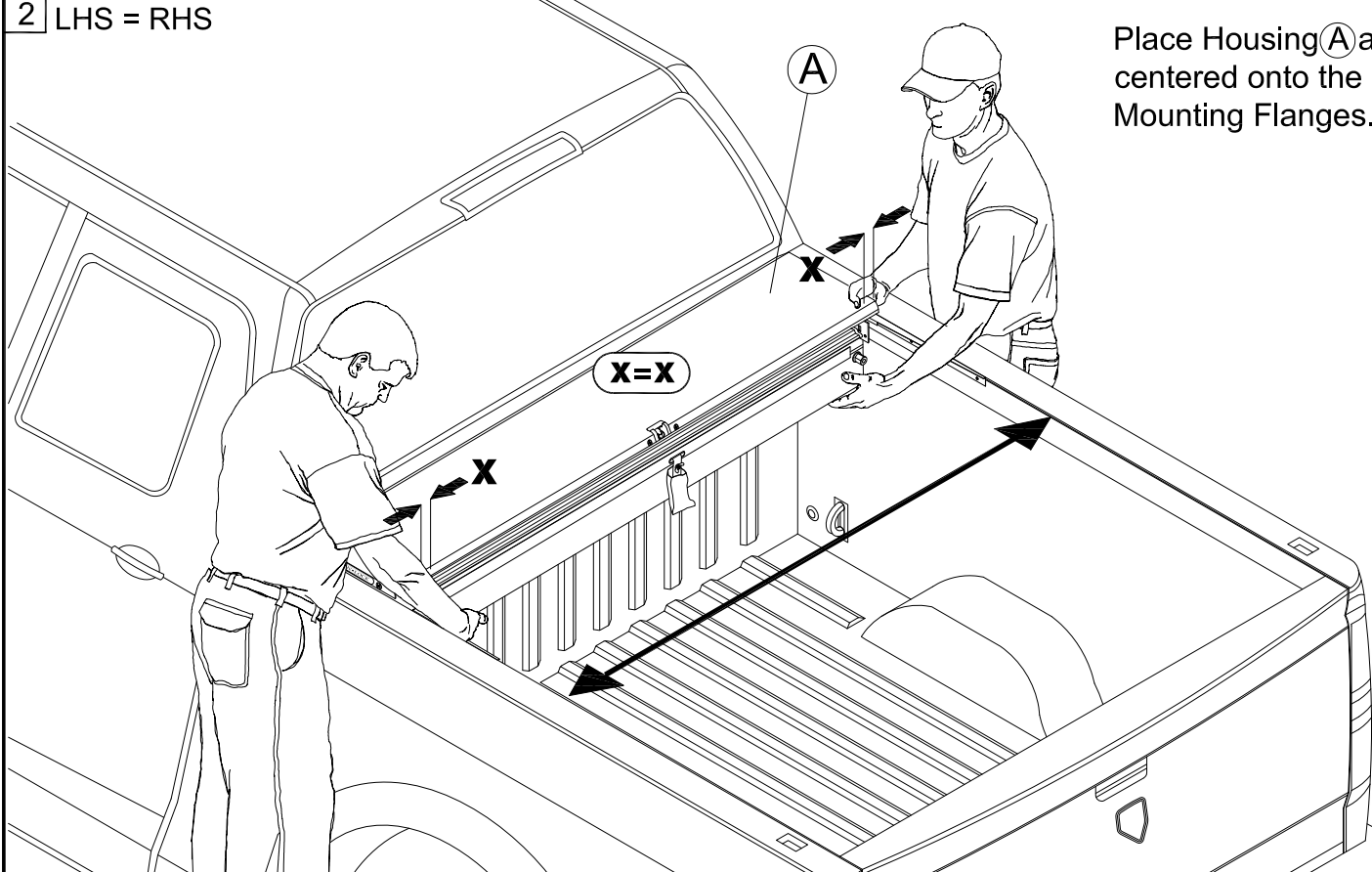
1 LHS = RHS



1. Attach Mounting Flange (D) up against bulkhead and flush with side rail.
2. Place Butyl Strip (Q) between the seam.



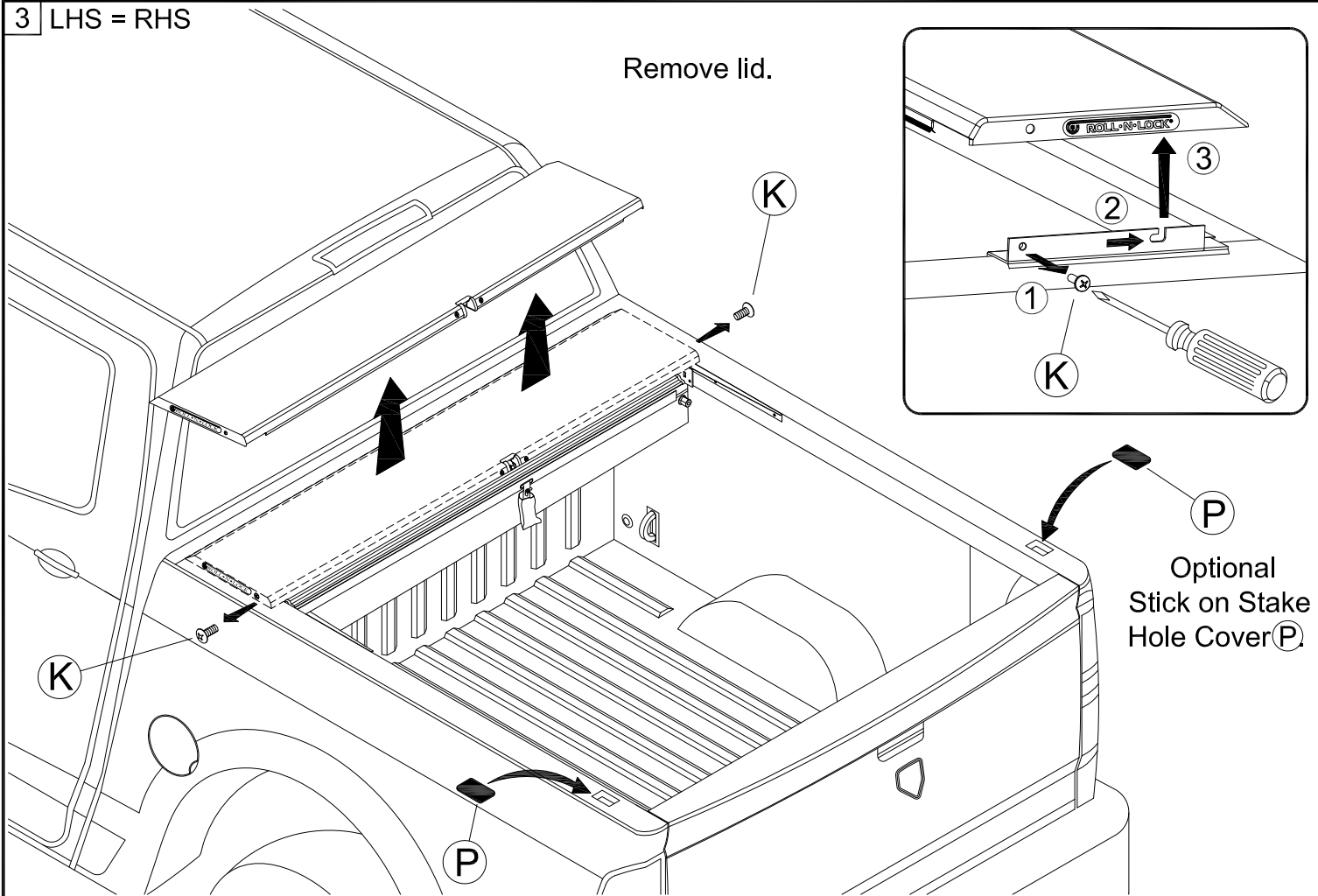
2 LHS = RHS



Place Housing (A) assembly centered onto the Track Mounting Flanges.

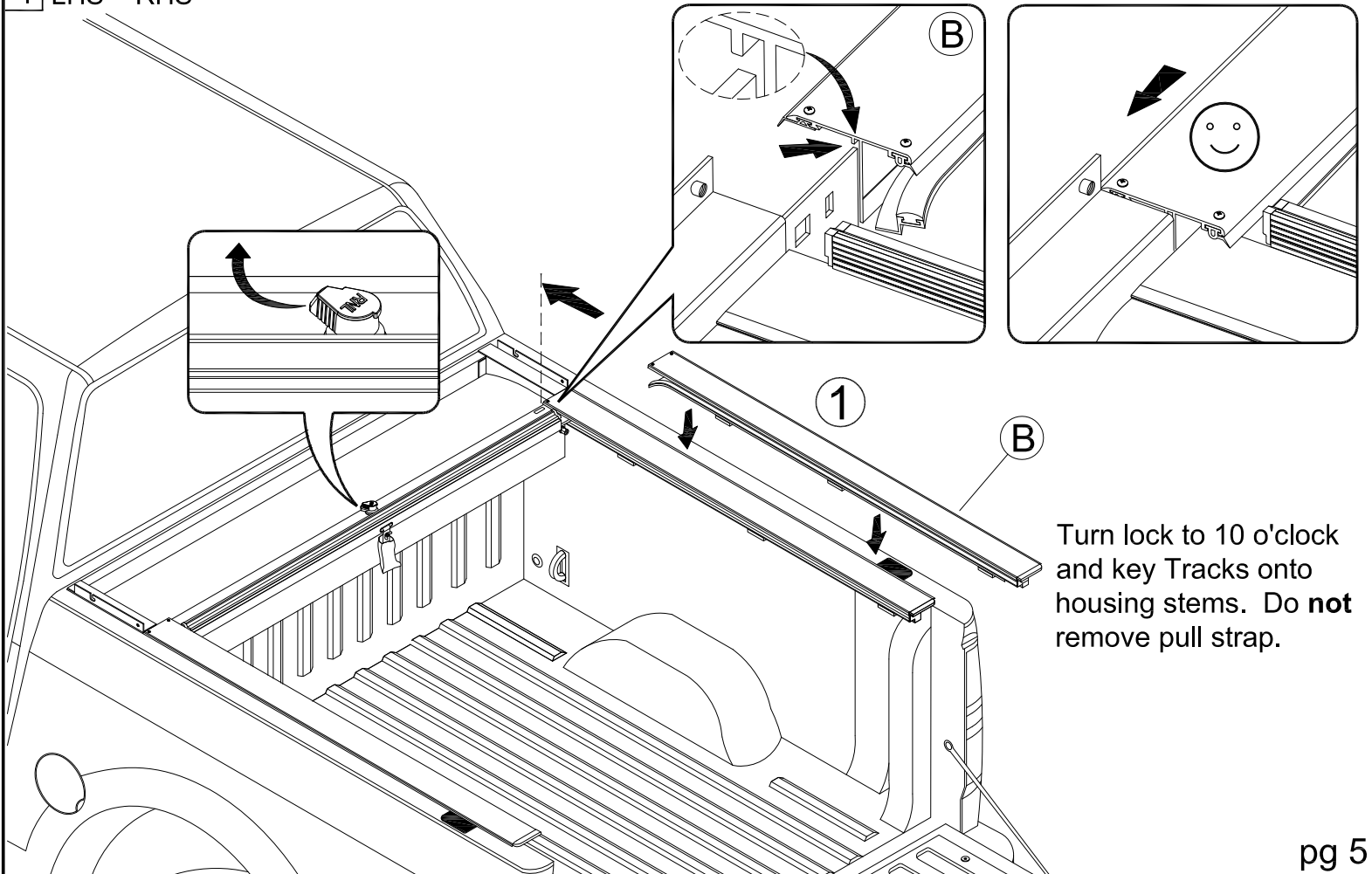
3 LHS = RHS

Remove lid.



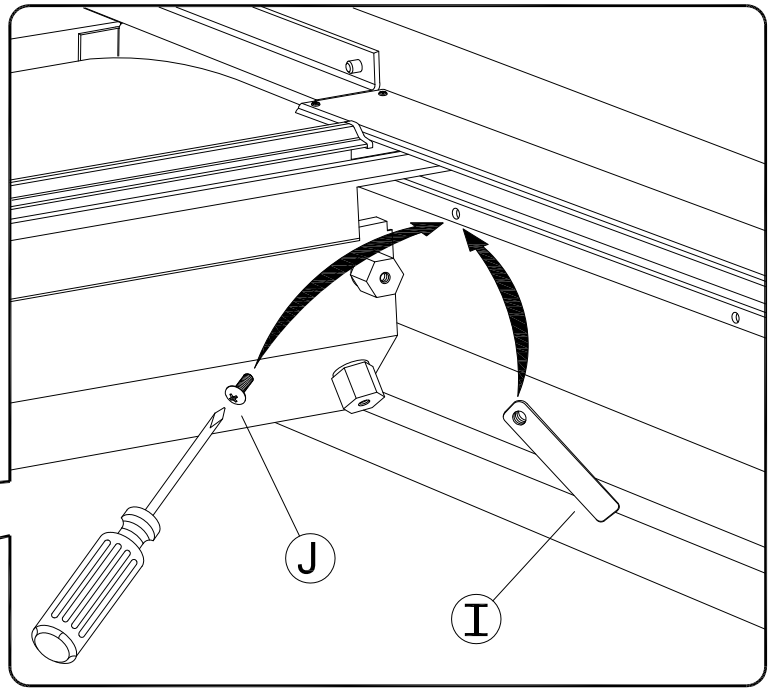
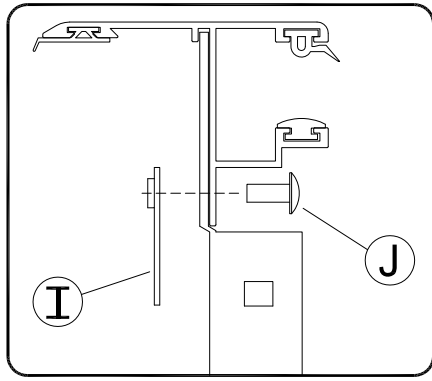
Optional
Stick on Stake
Hole Cover (P)

4 LHS = RHS



Turn lock to 10 o'clock
and key Tracks onto
housing stems. Do not
remove pull strap.

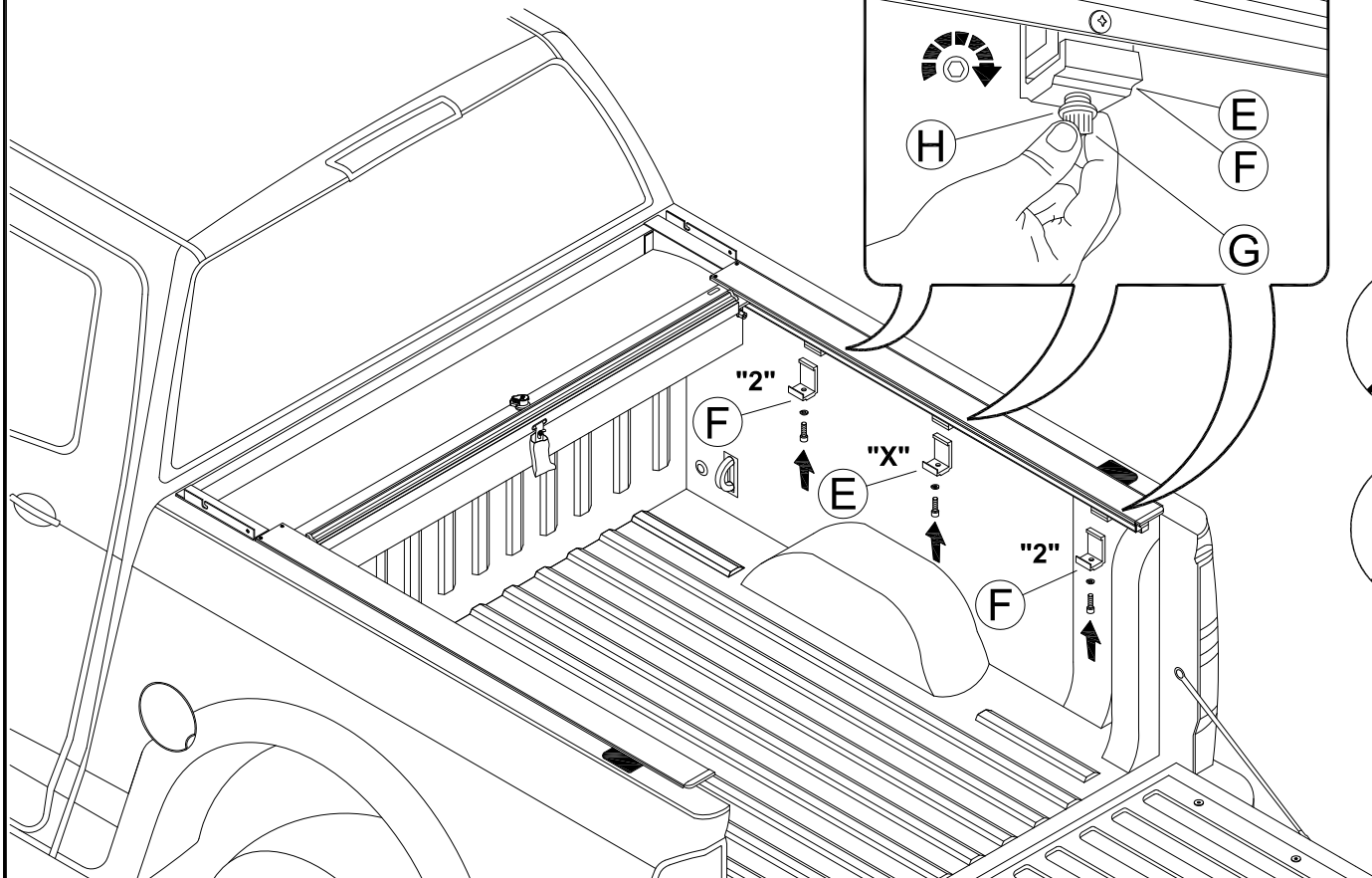
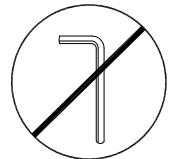
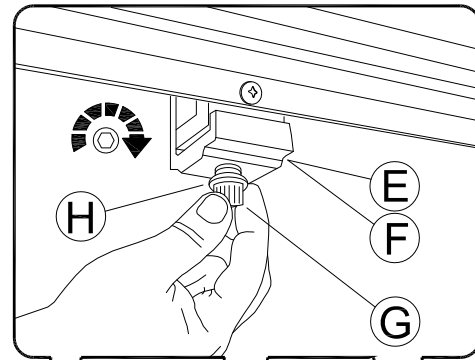
5 LHS = RHS



Secure Tracks to housing stems.

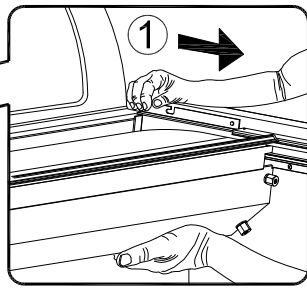
6 LHS = RHS

Loosely attach the Bed Clamps to the Track Clamps. Note location of ("X") clamp E.



7 LHS = RHS

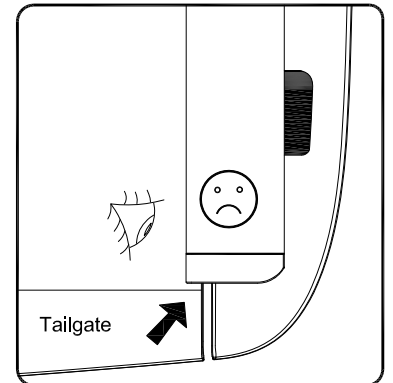
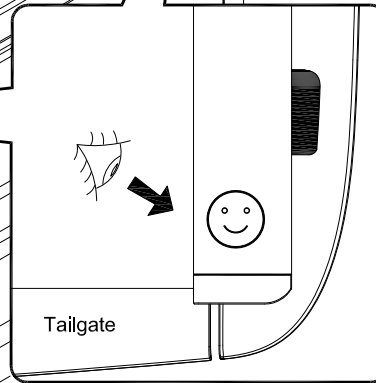
59 1/4"



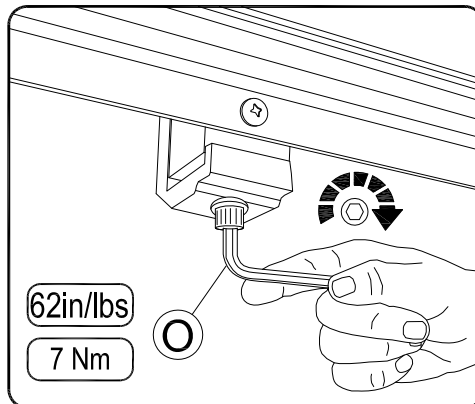
Carefully close tailgate, shift the housing back so the end of the tracks are up against the tailgate.

59 1/4" !

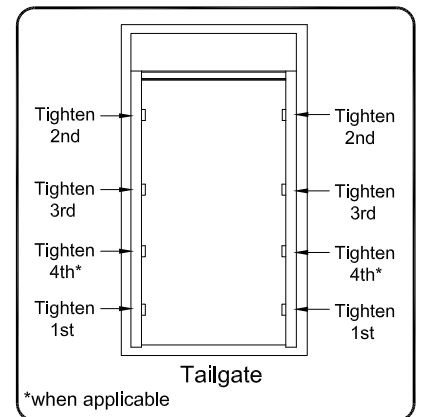
Important to check track to track inside dimension, otherwise the cover will not latch properly.



8 LHS = RHS



Tighten bed clamps to the track clamps. Note: When tight there may be a gap between the clamps, do not over tighten.

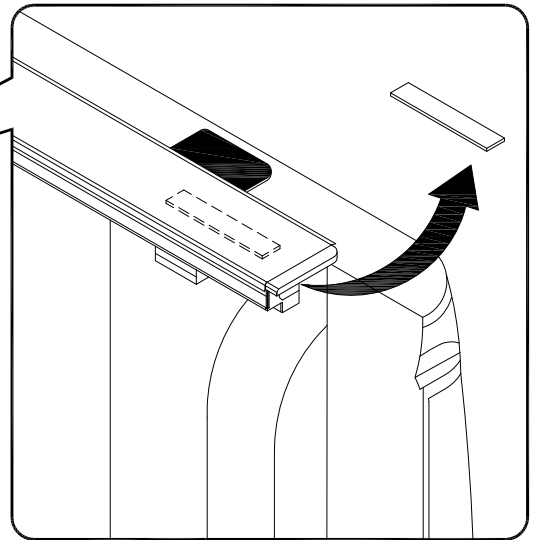
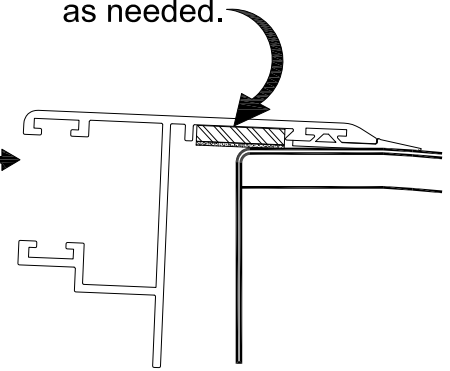
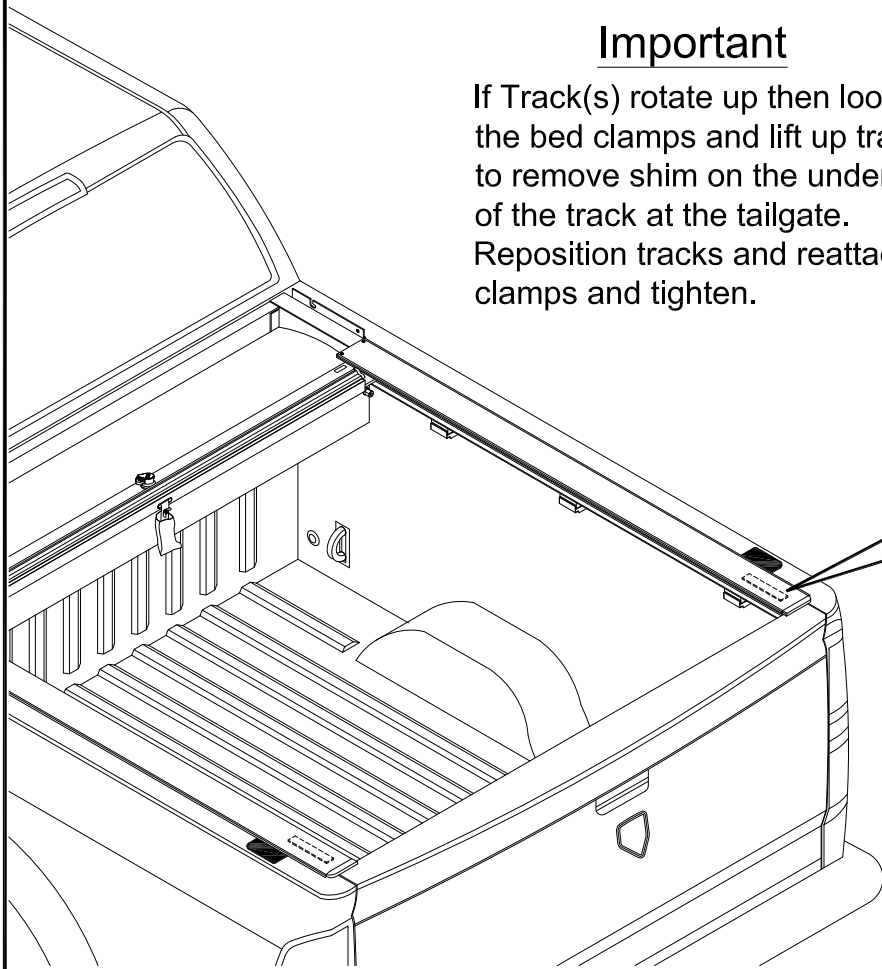


9 LHS = RHS

Important

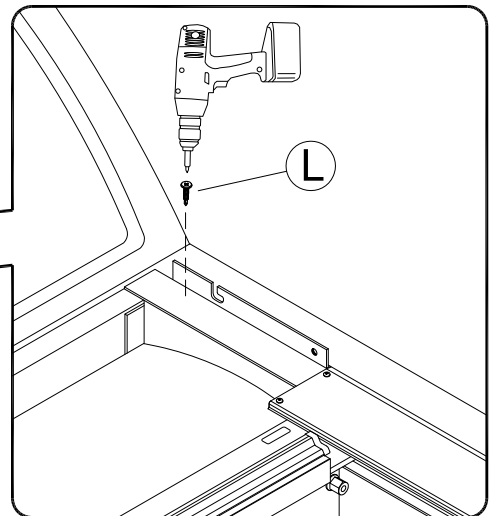
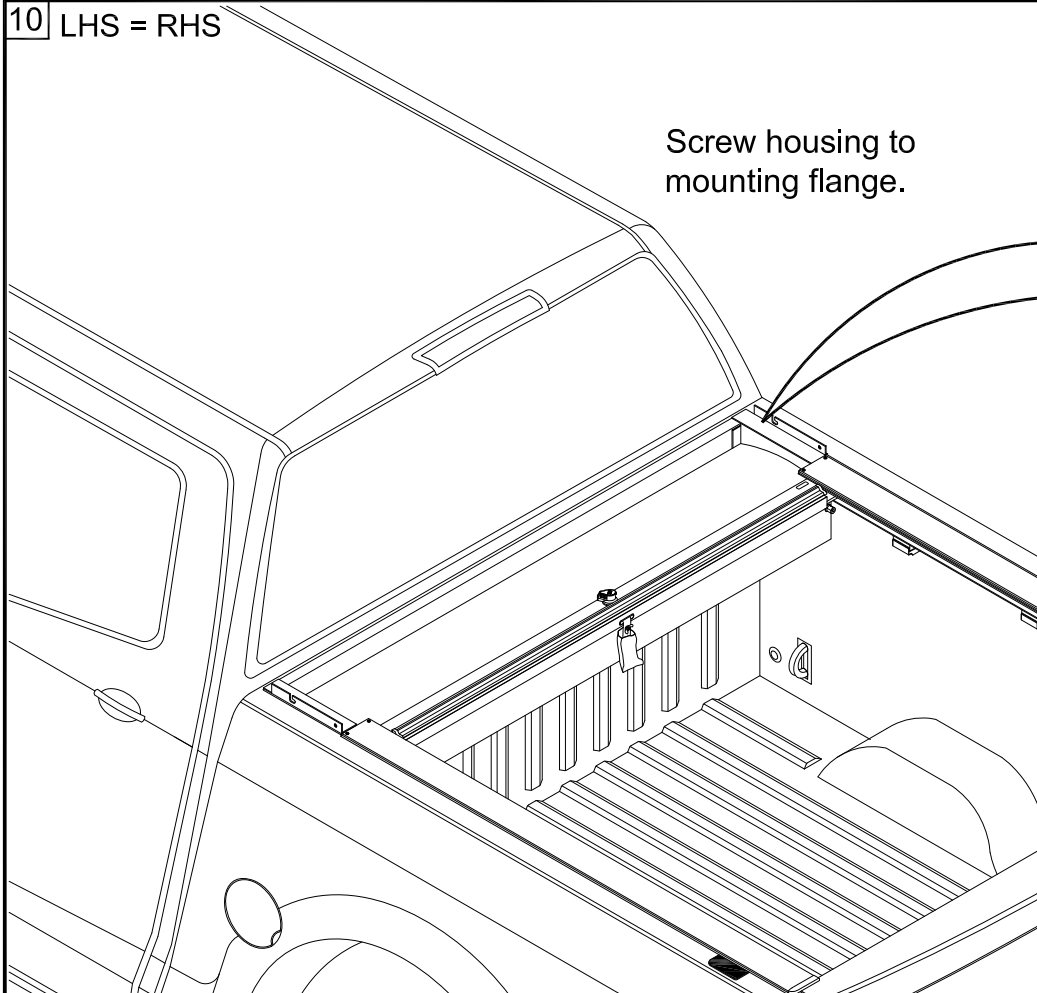
If Track(s) rotate up then loosen the bed clamps and lift up track to remove shim on the underside of the track at the tailgate. Reposition tracks and reattach clamps and tighten.

Remove shim under tracks as needed.

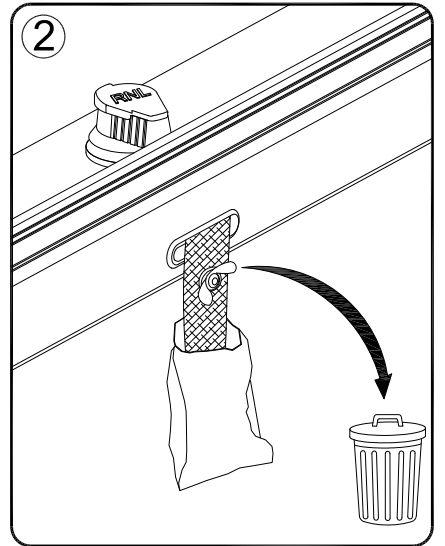
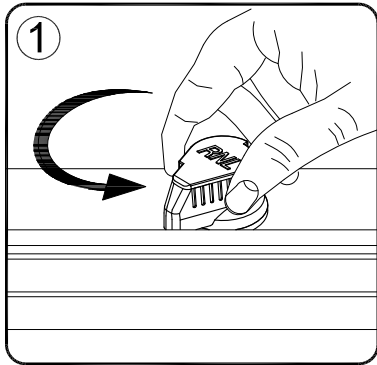
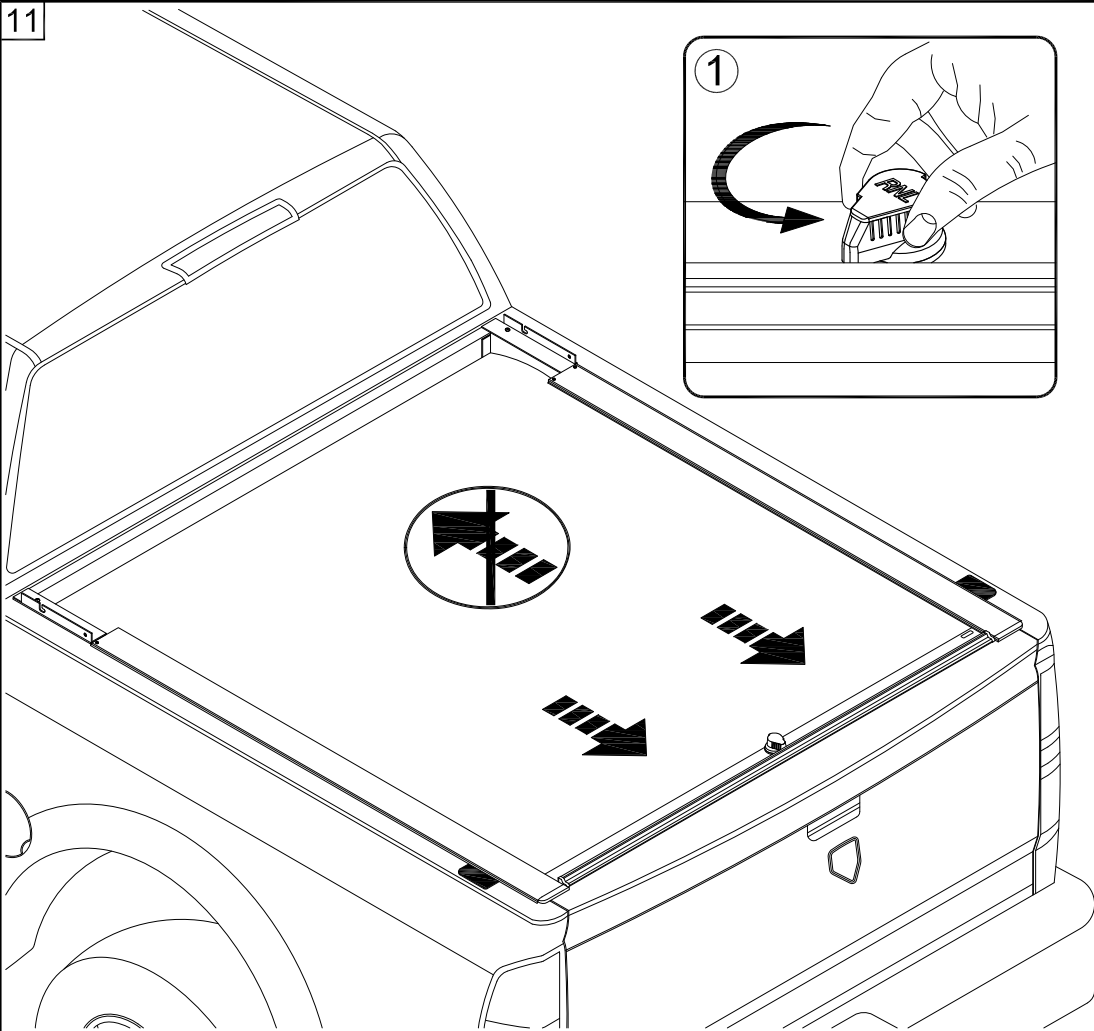


10 LHS = RHS

Screw housing to mounting flange.

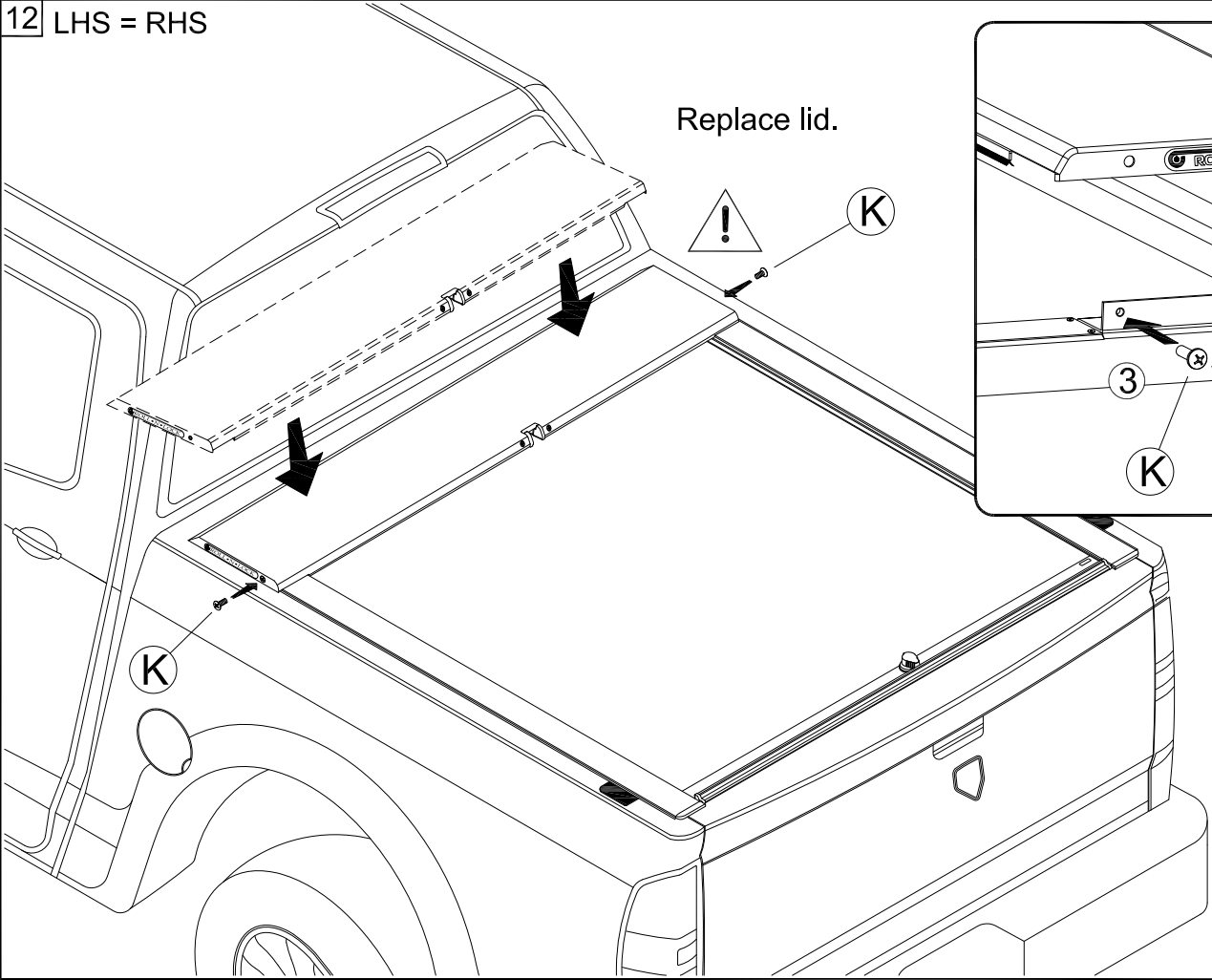


11

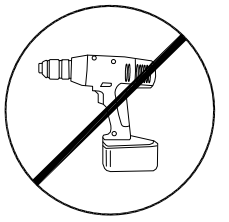
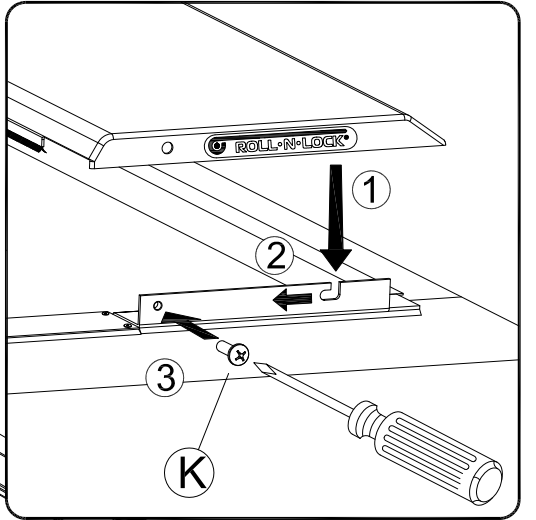


Turn lock to 7 o'clock, remove plastic wing nut and pull cover back to tailgate.

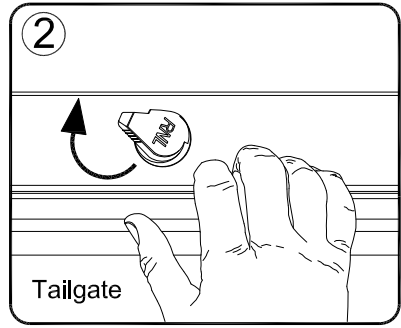
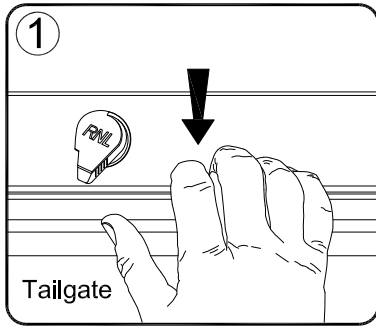
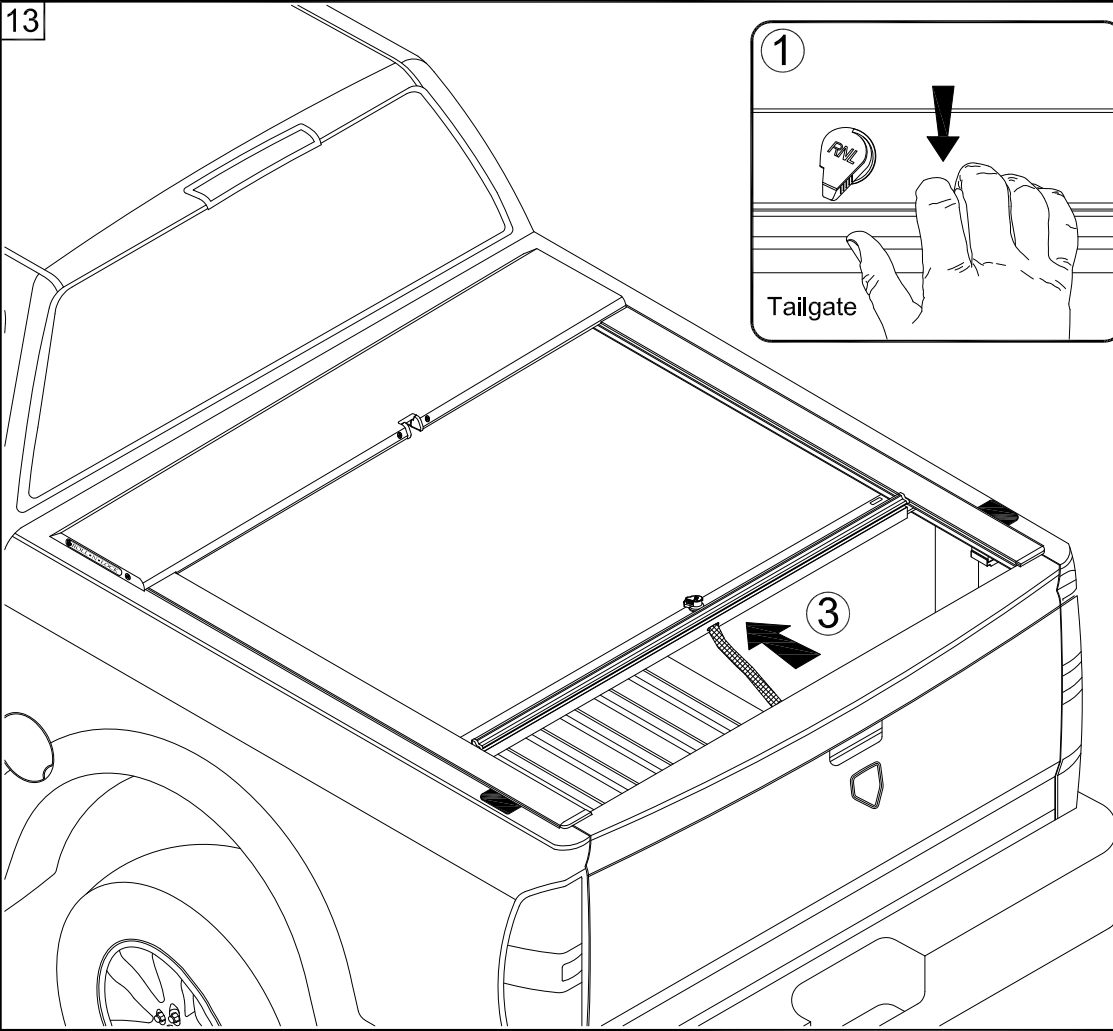
12 LHS = RHS



Replace lid.

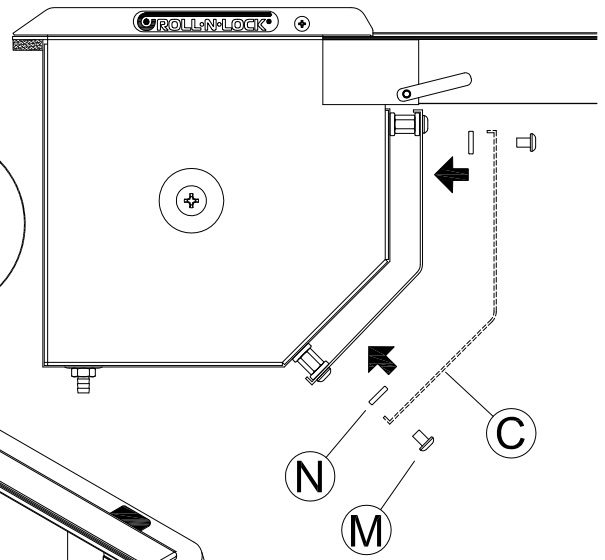
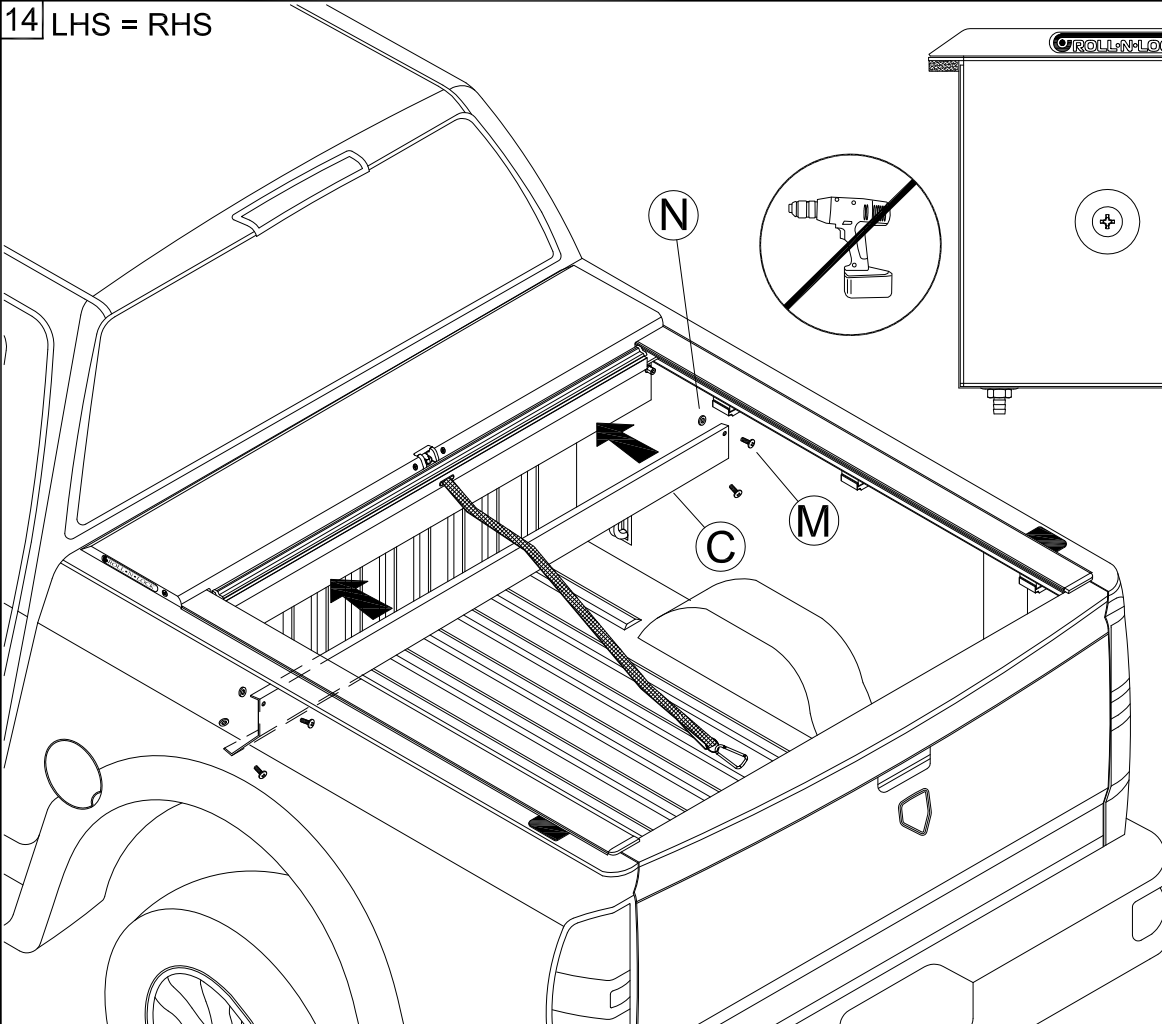


13



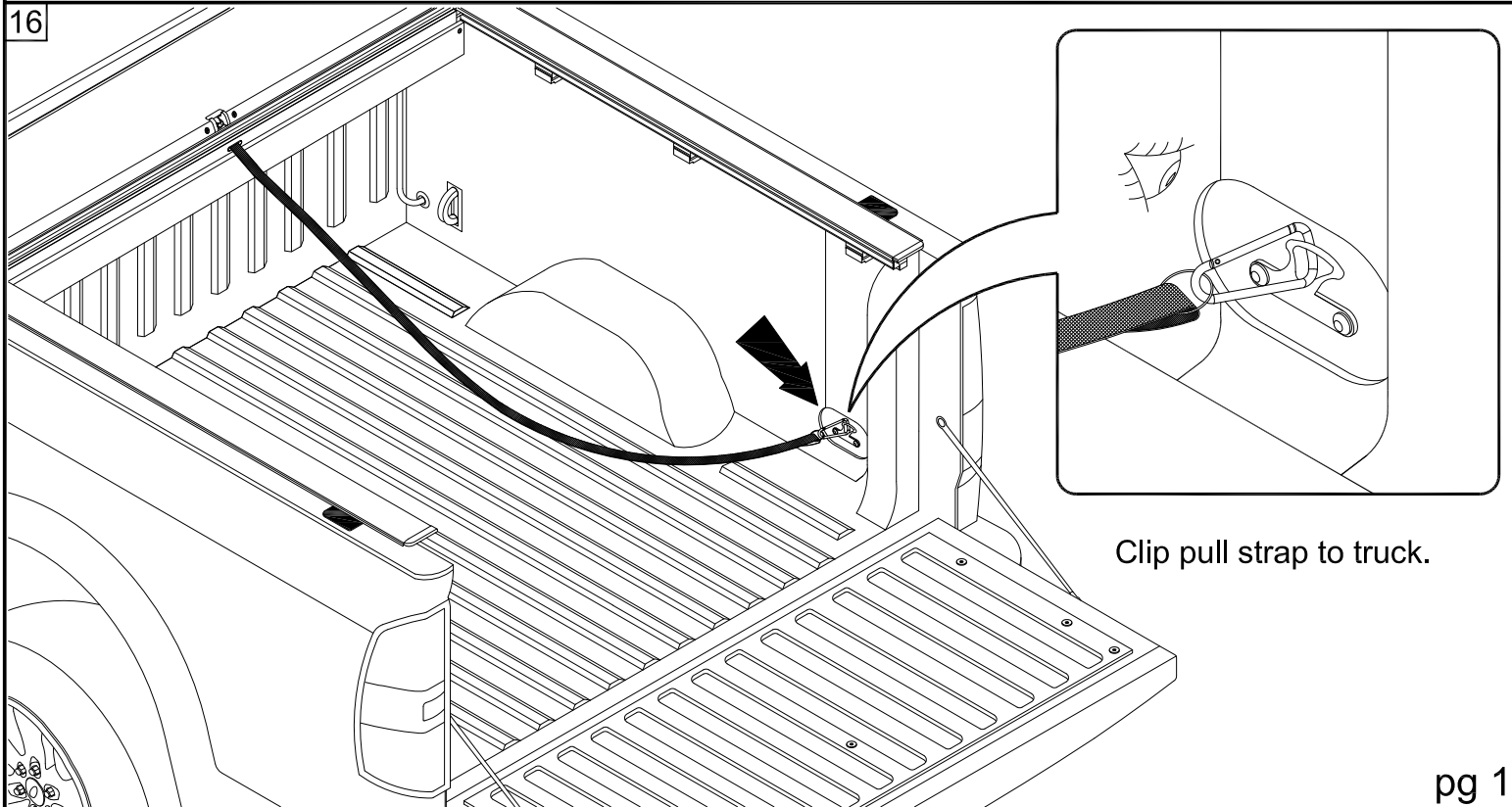
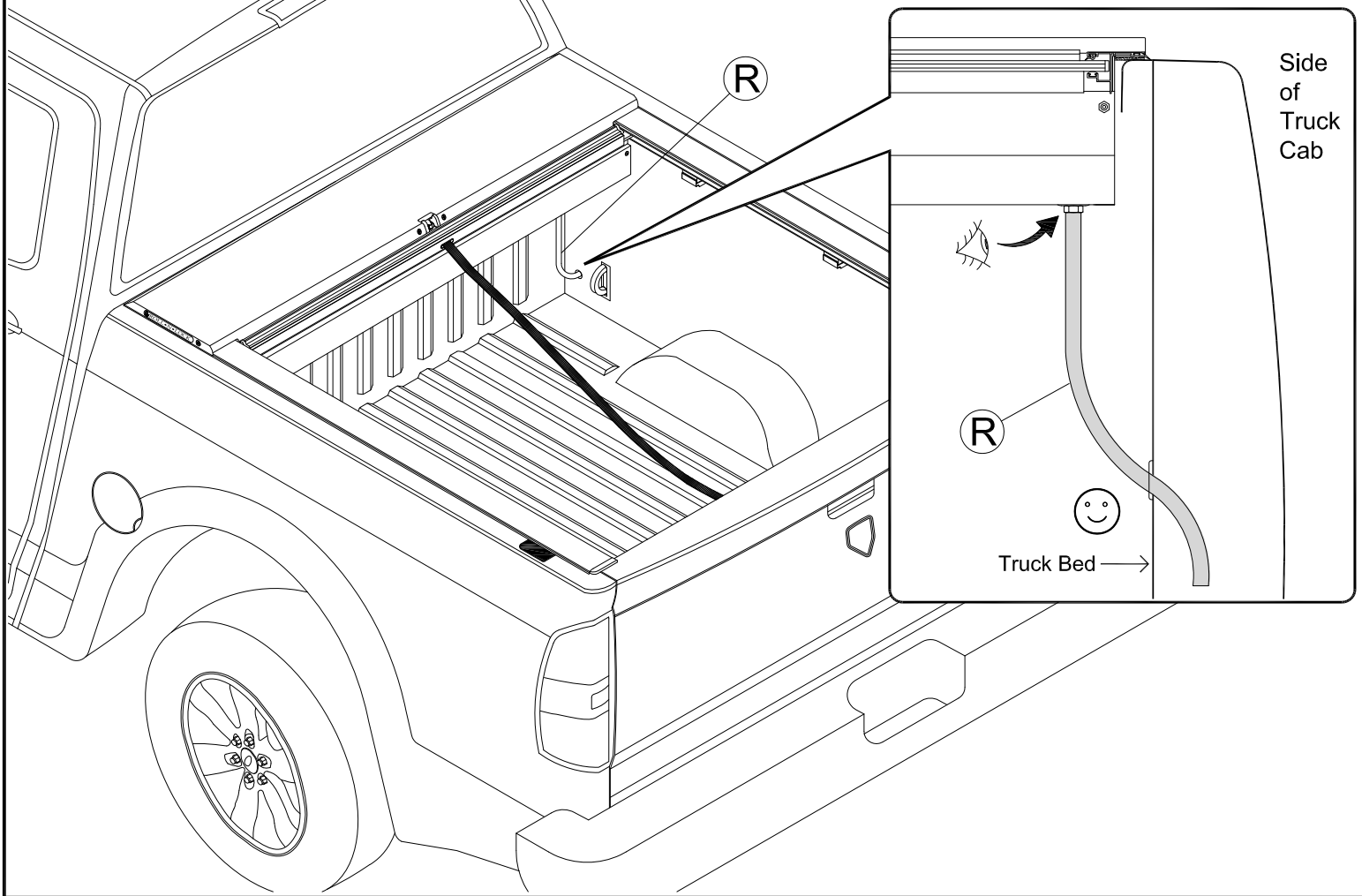
To open cover pull back on the handle, turn the lock to 10 o'clock and let the cover retract into the housing while holding onto the pull-strap.

14 LHS = RHS



Attach the Cargo Shield © to the housing. Note washer ① placement.

Fit one end of the Drain Tube® onto housing and insert other end into the existing hole on the side of truck.



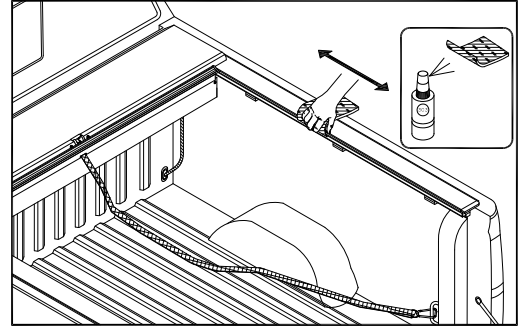
Clip pull strap to truck.

Troubleshooting

Cover is hard to pull or retract.



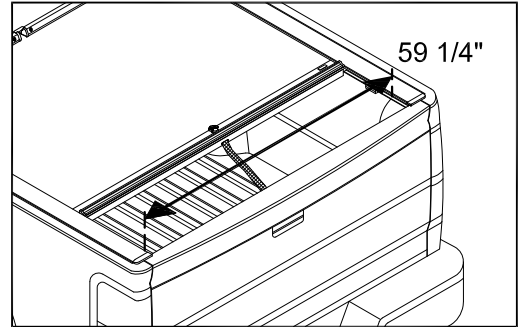
Spray 303[®] on a rag and wipe the top gasket in the Track back and forth.



Cover does not latch.



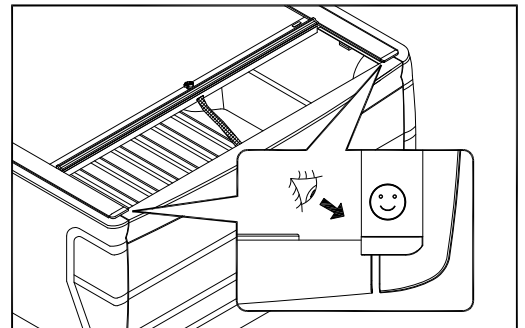
Check track to track measurement.



Cover does reach tailgate.



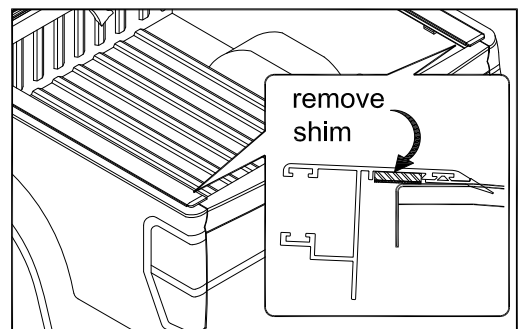
Make sure Tracks are back against tailgate.



Track tips up.



Remove shim on the underside of the track(s).



Any questions please call Customer Service at 800-952-7655
or email customerservice@rollnlock.com