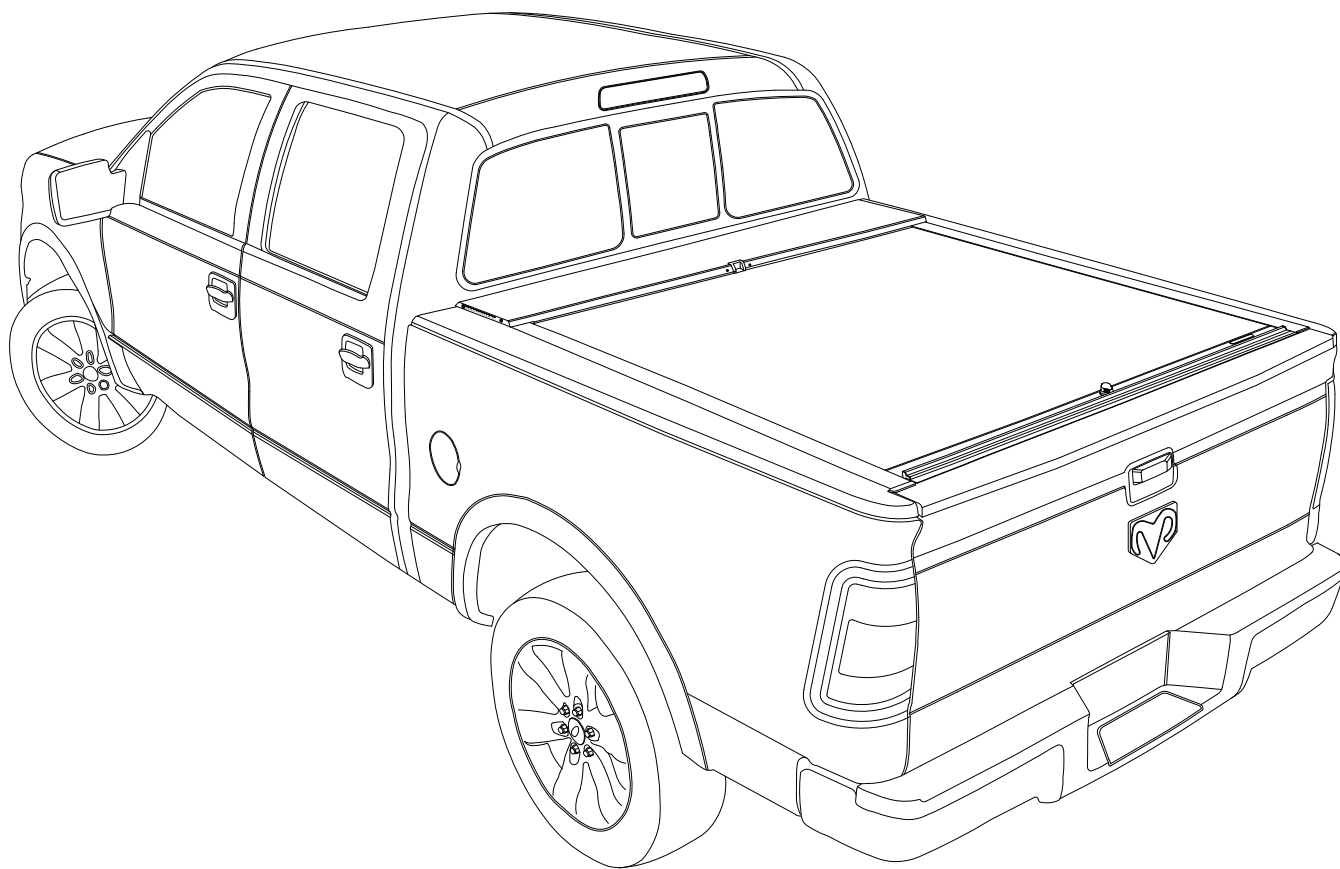




2019 Ram Installation Guide

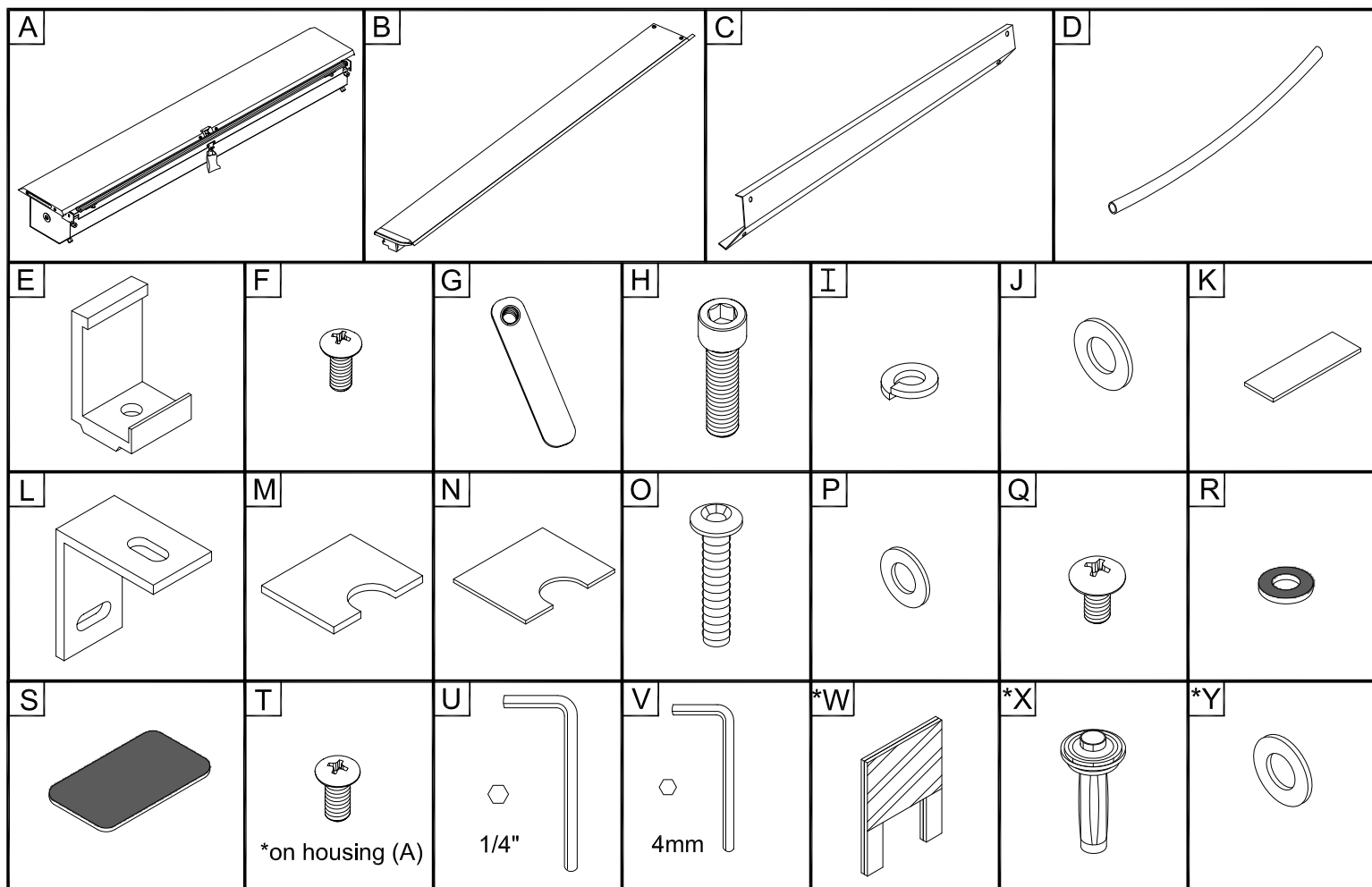


Product Code
401 - 402

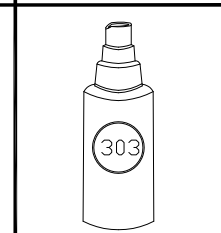
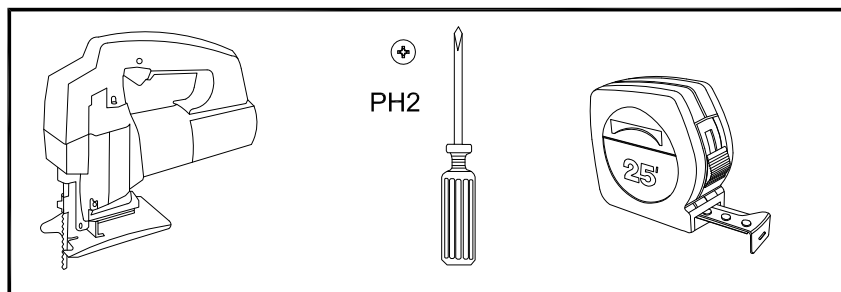
Parts List

Item	Part Name	Qty.	Item	Part Name	Qty.	Item	Part Name	Qty.
A	Housing	1	J	5/16 Flat Washer	2	S	Stake Hole Cover	2
B	Track	2	K	1 3/8" x 3/8" Shim	4	T	1/4" - 20 Lid Screw	2
C	Cargo Shield/Track spacer	1	L	3" x 3" Track Angle	2	U	Allen Wrench (1/4")	1
D	Drain Tube	2	M	1/8" Thick Bed Clamp Shim	2	V	Allen Wrench (4mm)	1
E	Bed Clamp	6/8	N	1/16" Thick Bed Clamp Shim	4	*W	*Clamp Angle Shim	2
F	#10-24 Screw	2	O	6mm x 40mm Bolt	2	*X	*Expansion Bolt	2
G	Cargo Nut	2	P	M6 Washer	2	*Y	*1/4" x 5/8 Washer	2
H	5/16" x 1" Cap Screw	6/8	Q	1/4-20 x 3/8" Screw	4		303 Vinyl Protector	1
I	5/16" Lock Washer	6/8	R	Black Rubber Washer	4			

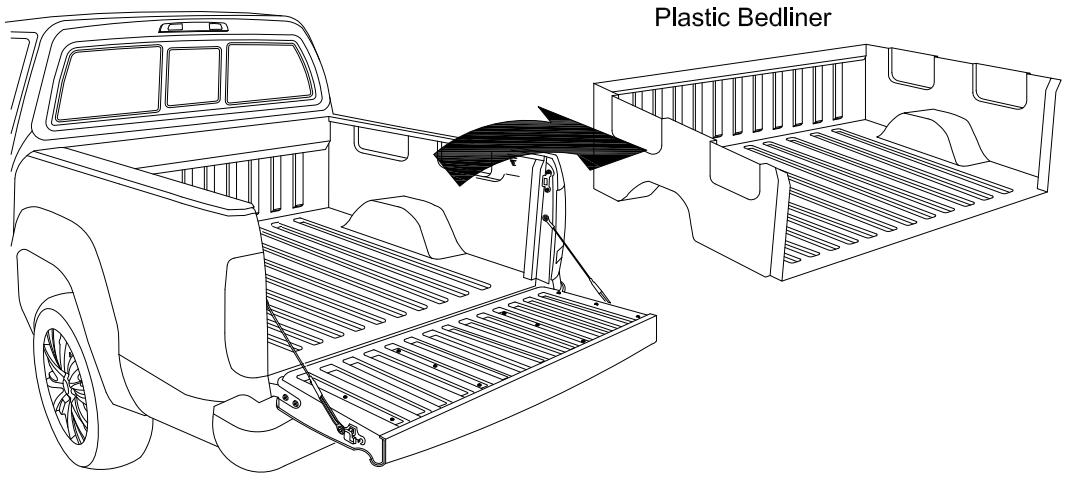
*Use if no tie-down channel is present



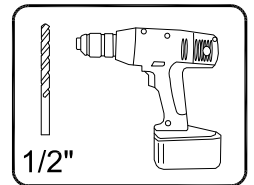
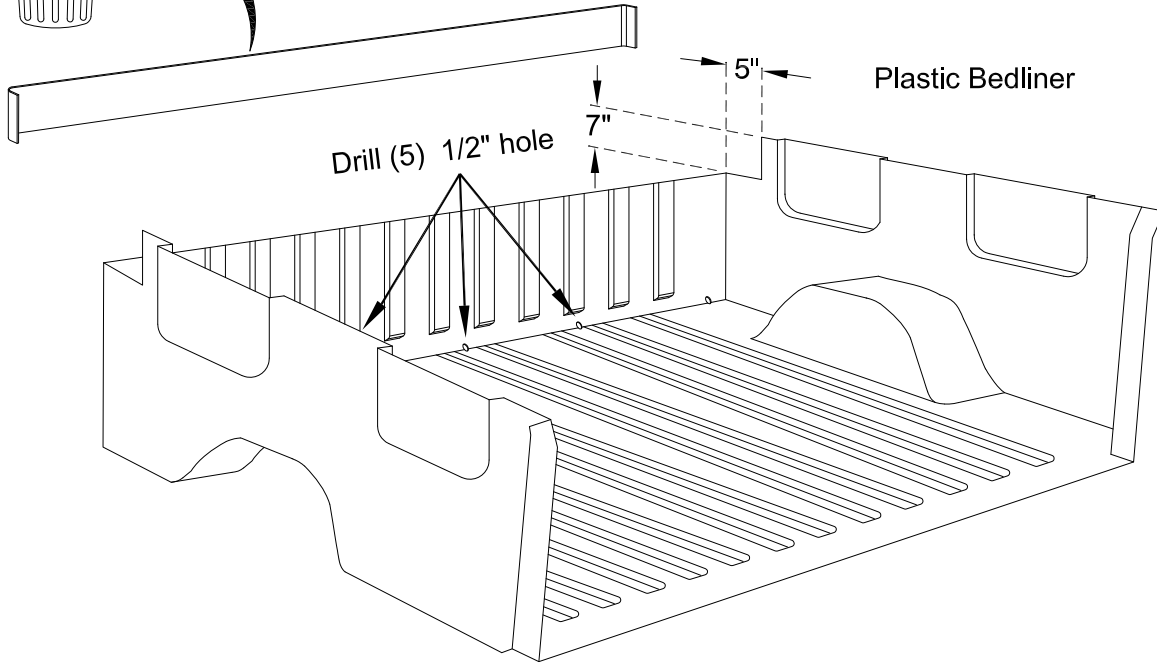
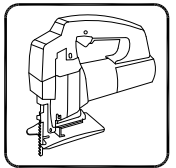
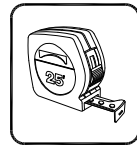
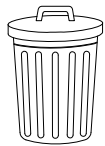
Tools Needed



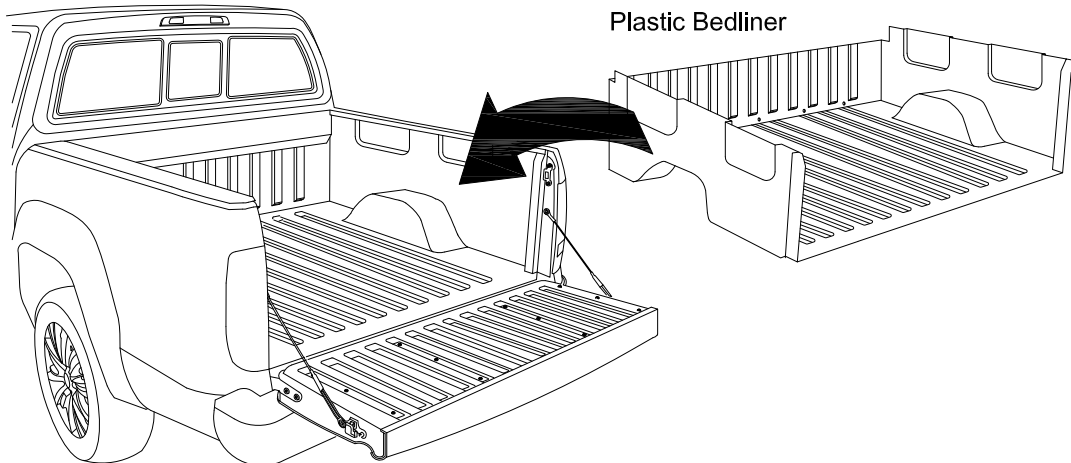
1a If no plastic bedliner present proceed to page 4 - Step 1



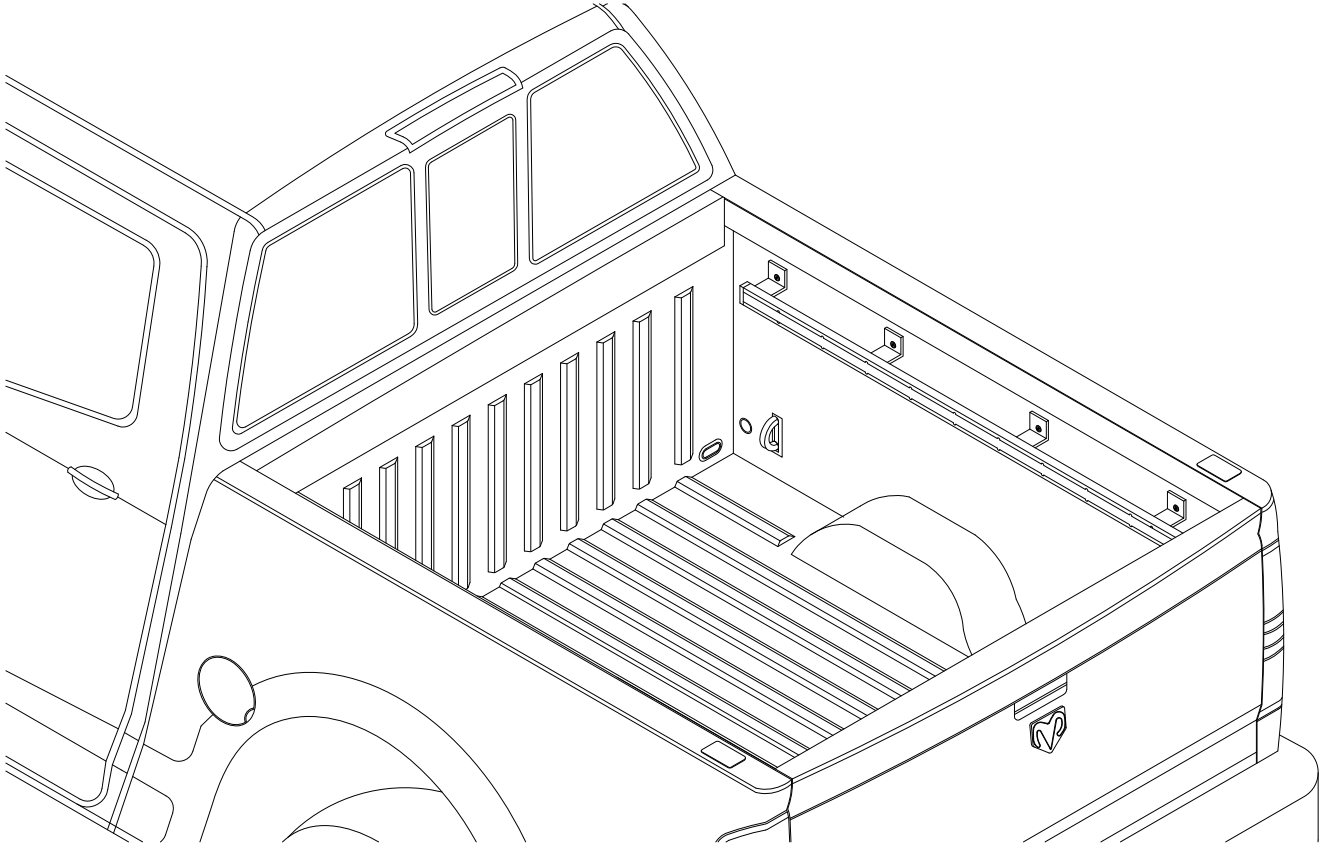
1b



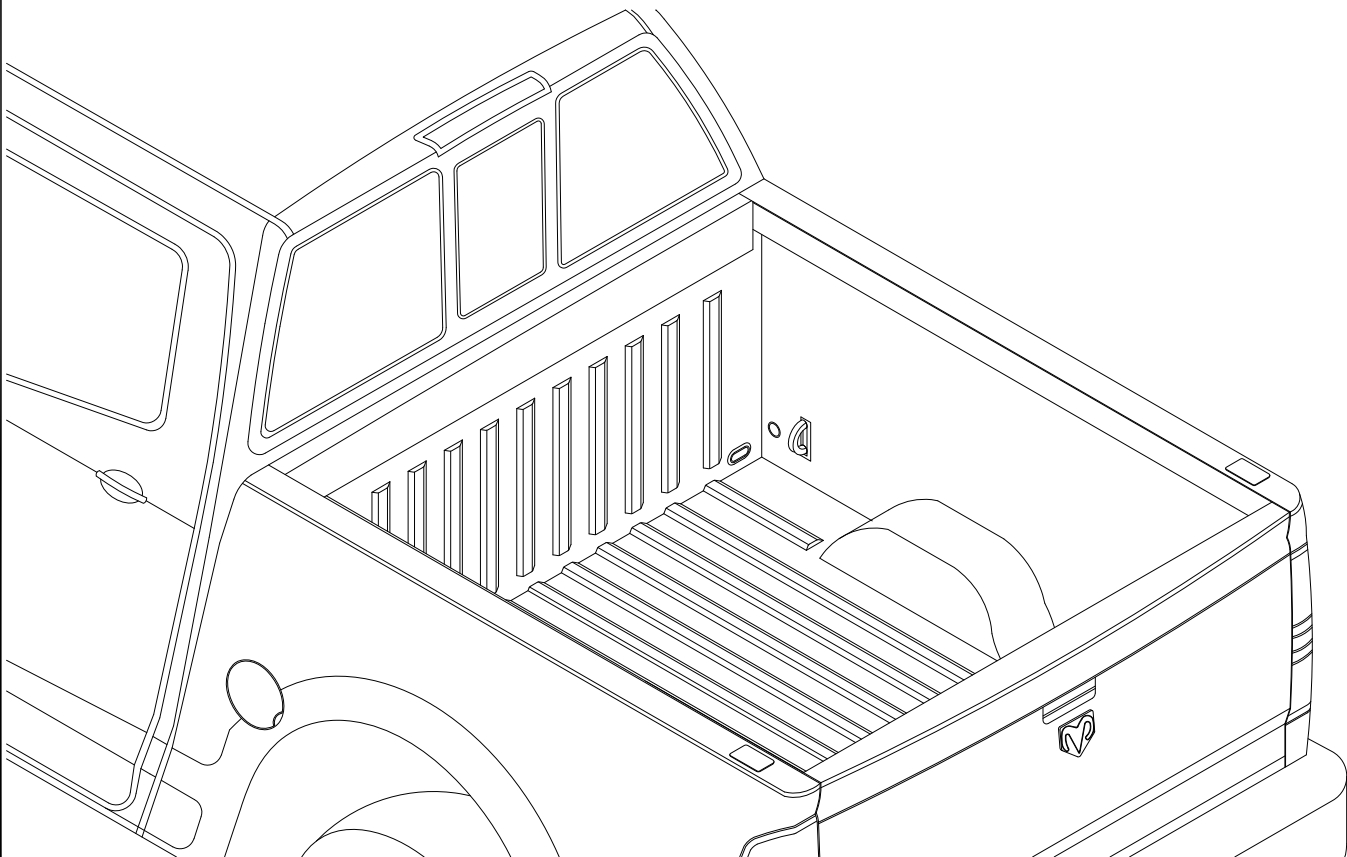
1c



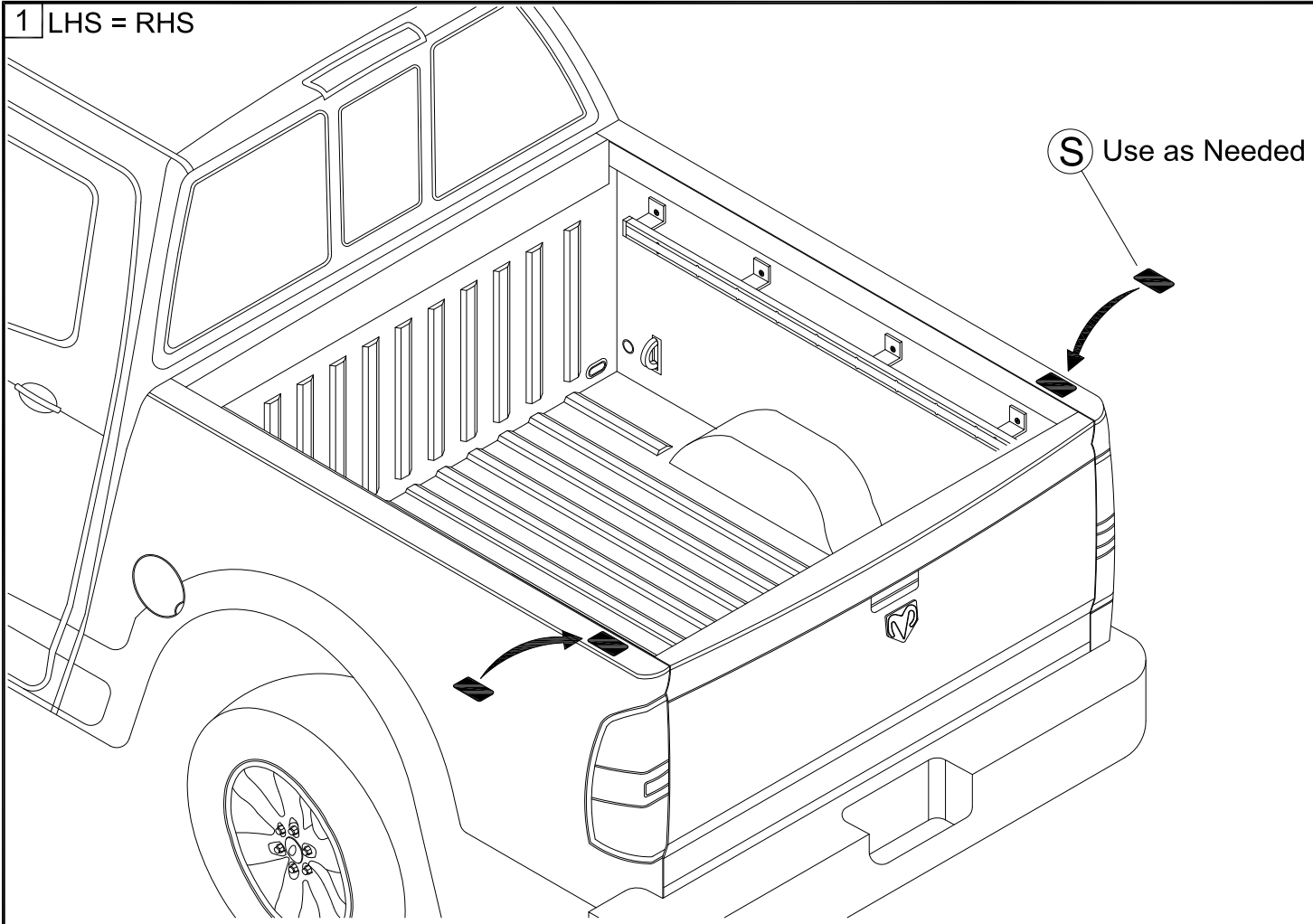
IF THIS RAM IS IS EQUIPPED WITH UTILITY
RAILS REFER TO PAGES 5-12



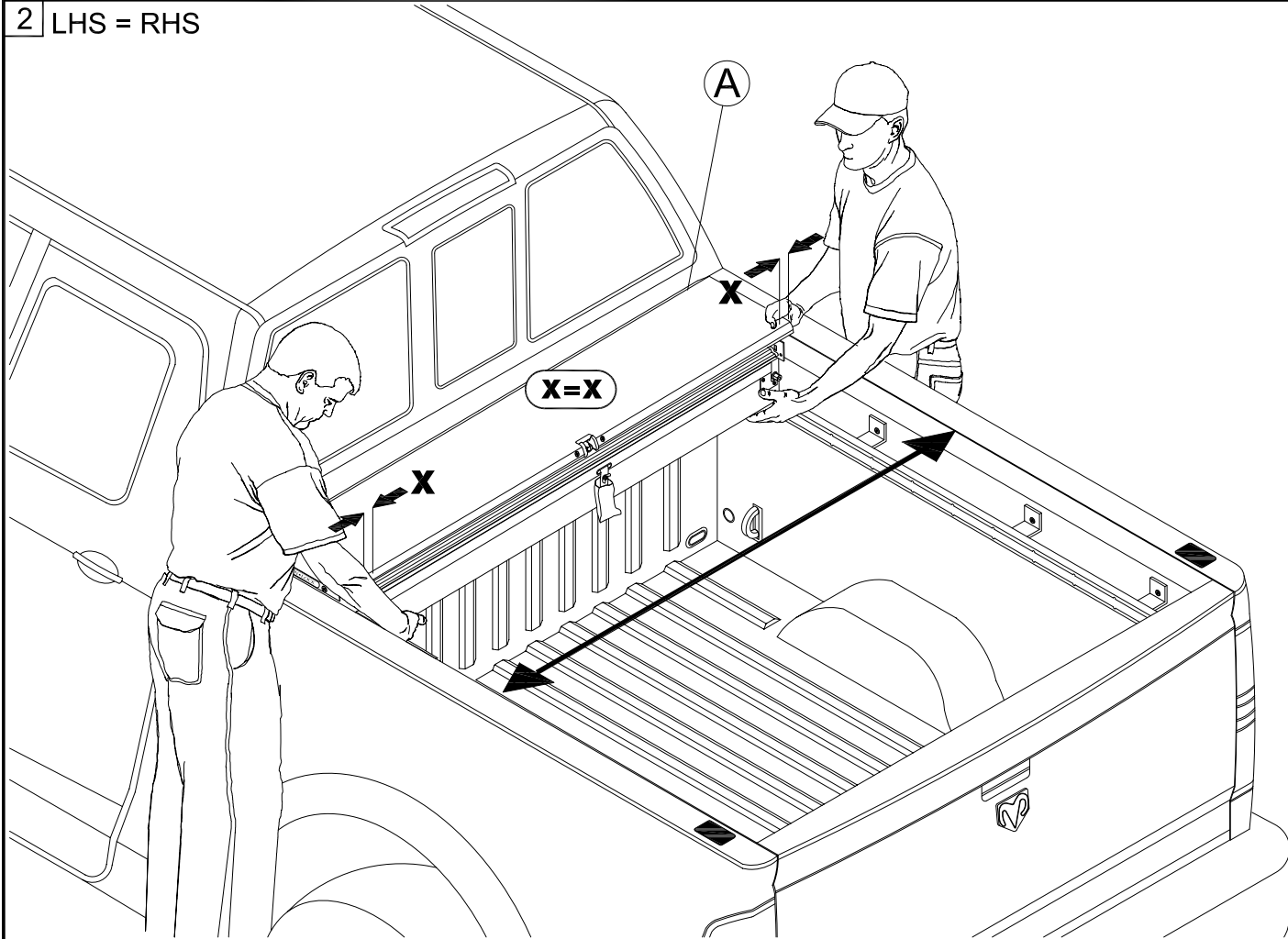
IF THIS RAM IS NOT EQUIPPED WITH
UTILITY RAILS REFER TO PAGES 14-23



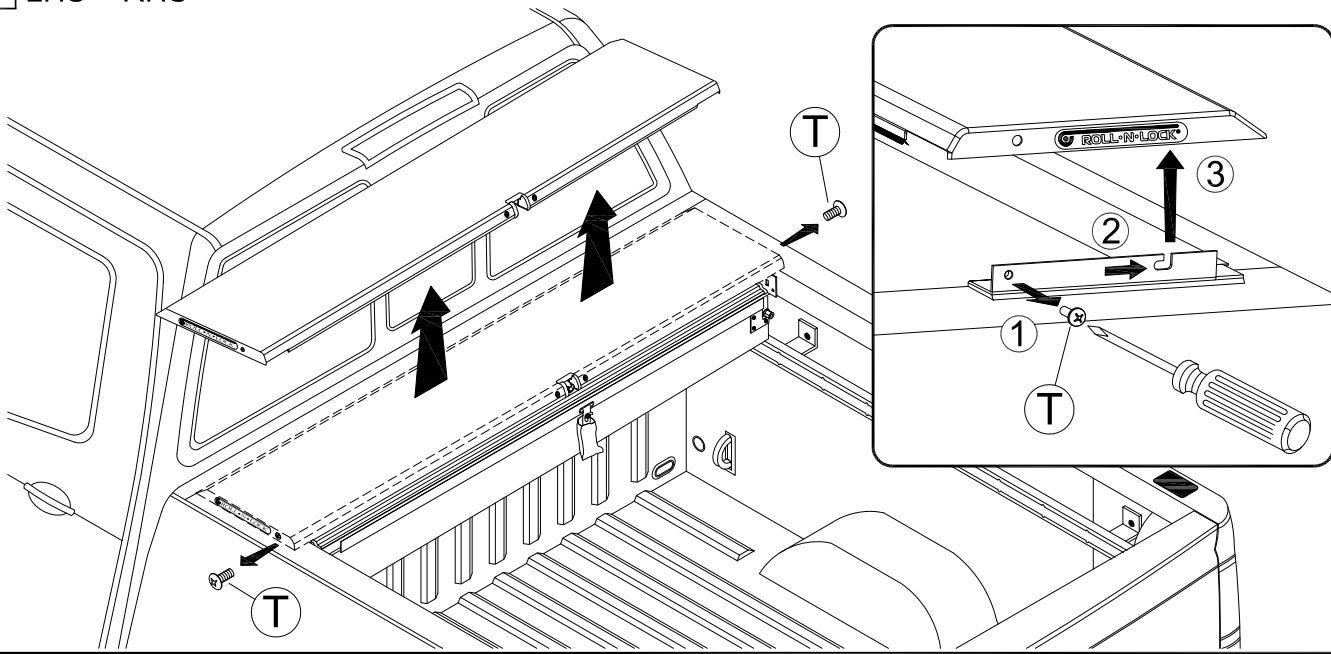
1 LHS = RHS



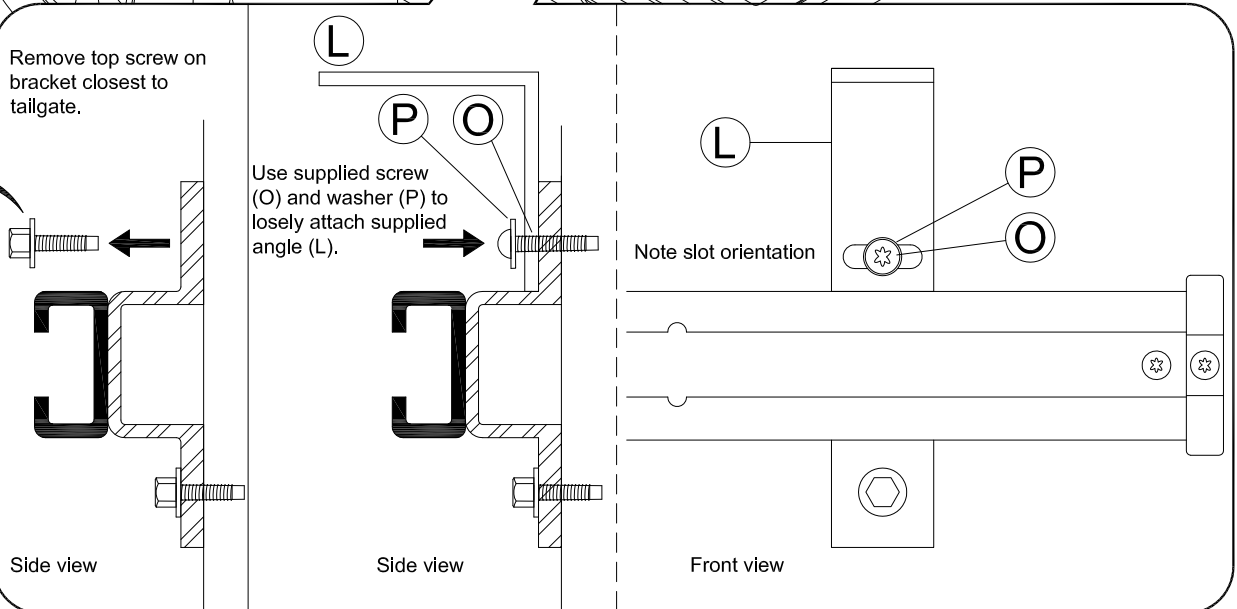
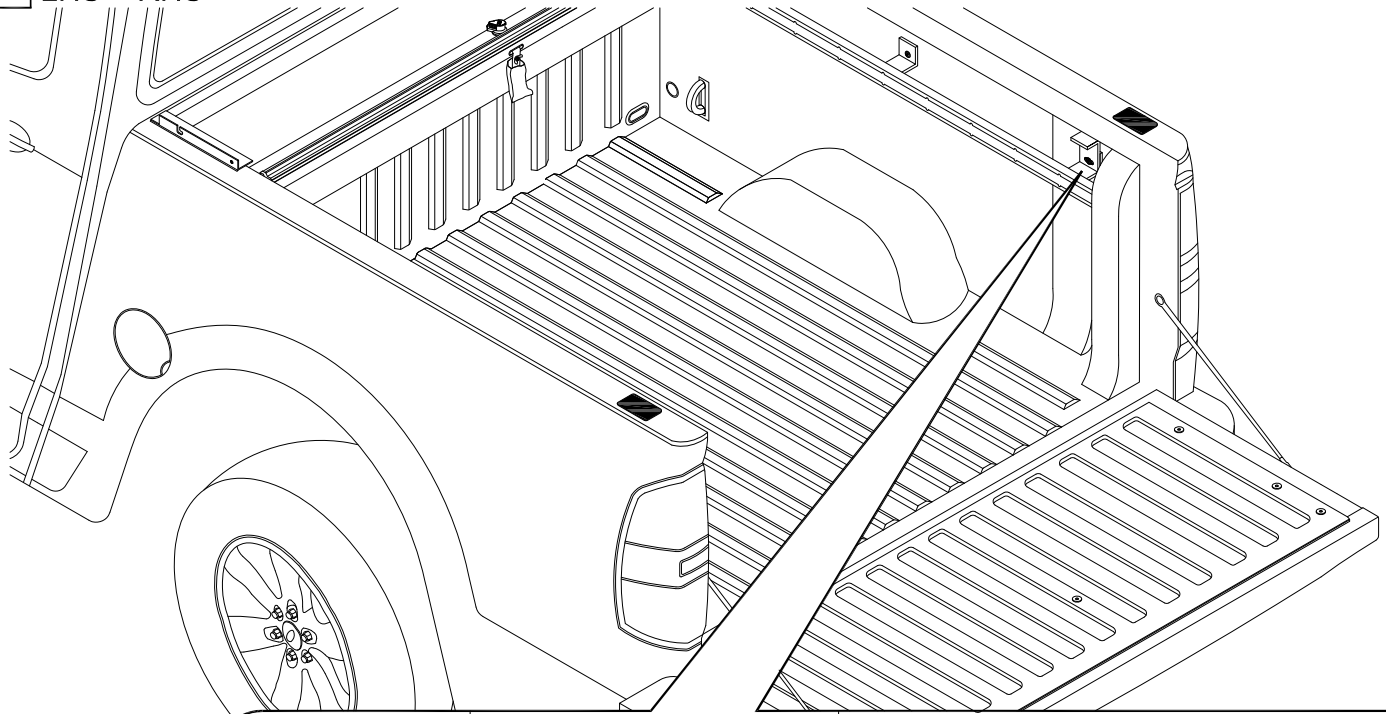
2 LHS = RHS



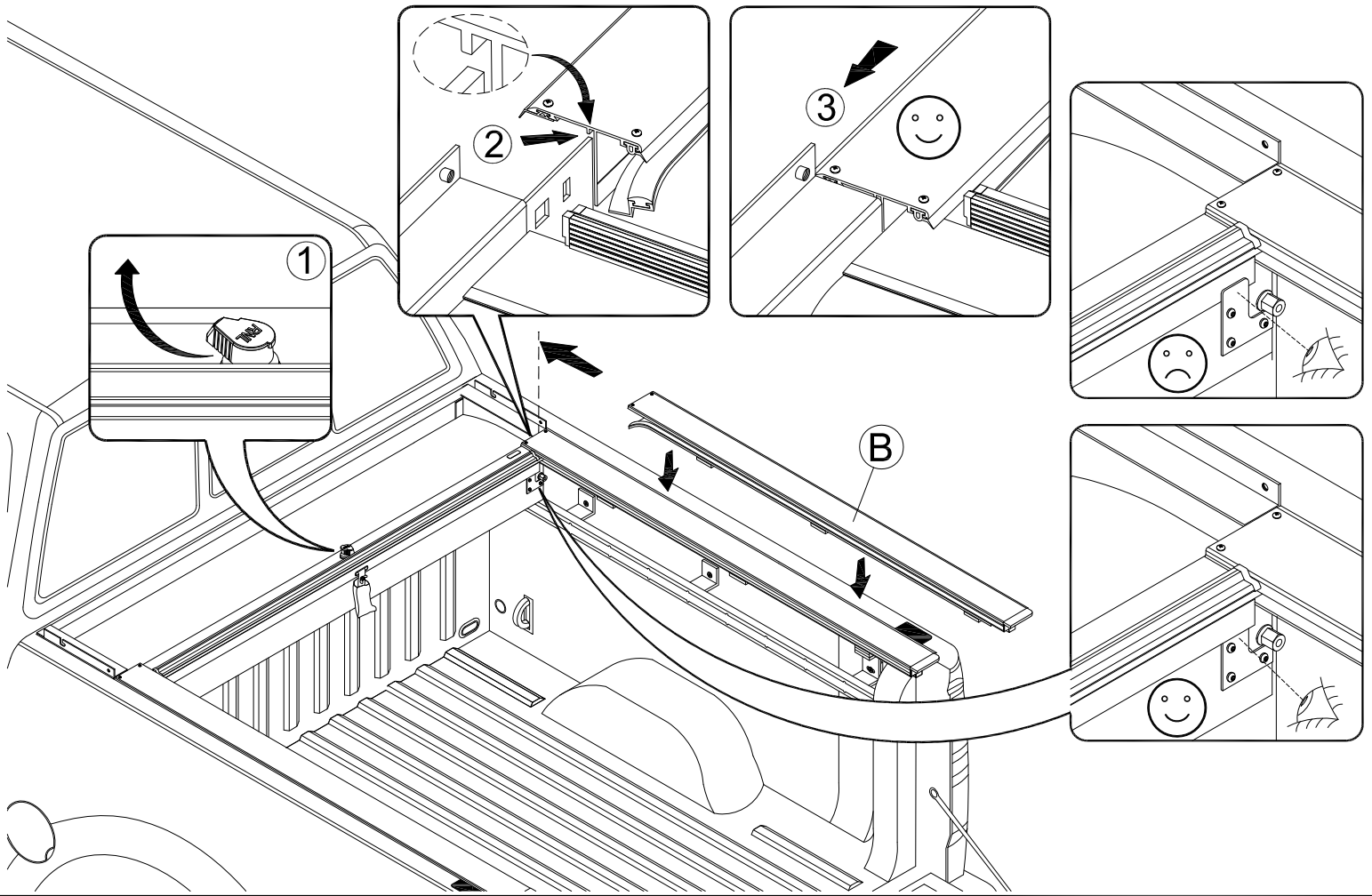
3 LHS = RHS



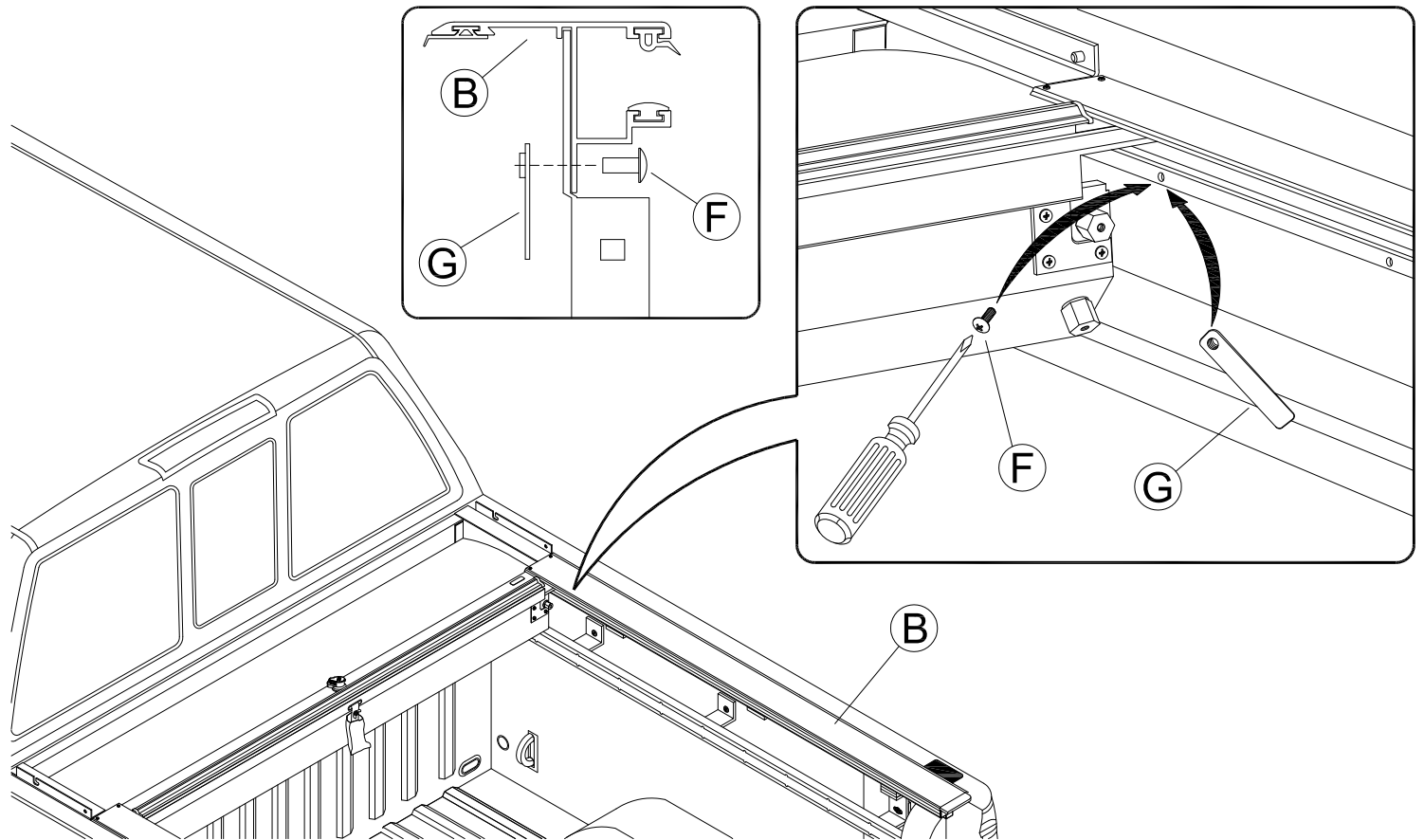
4 LHS = RHS



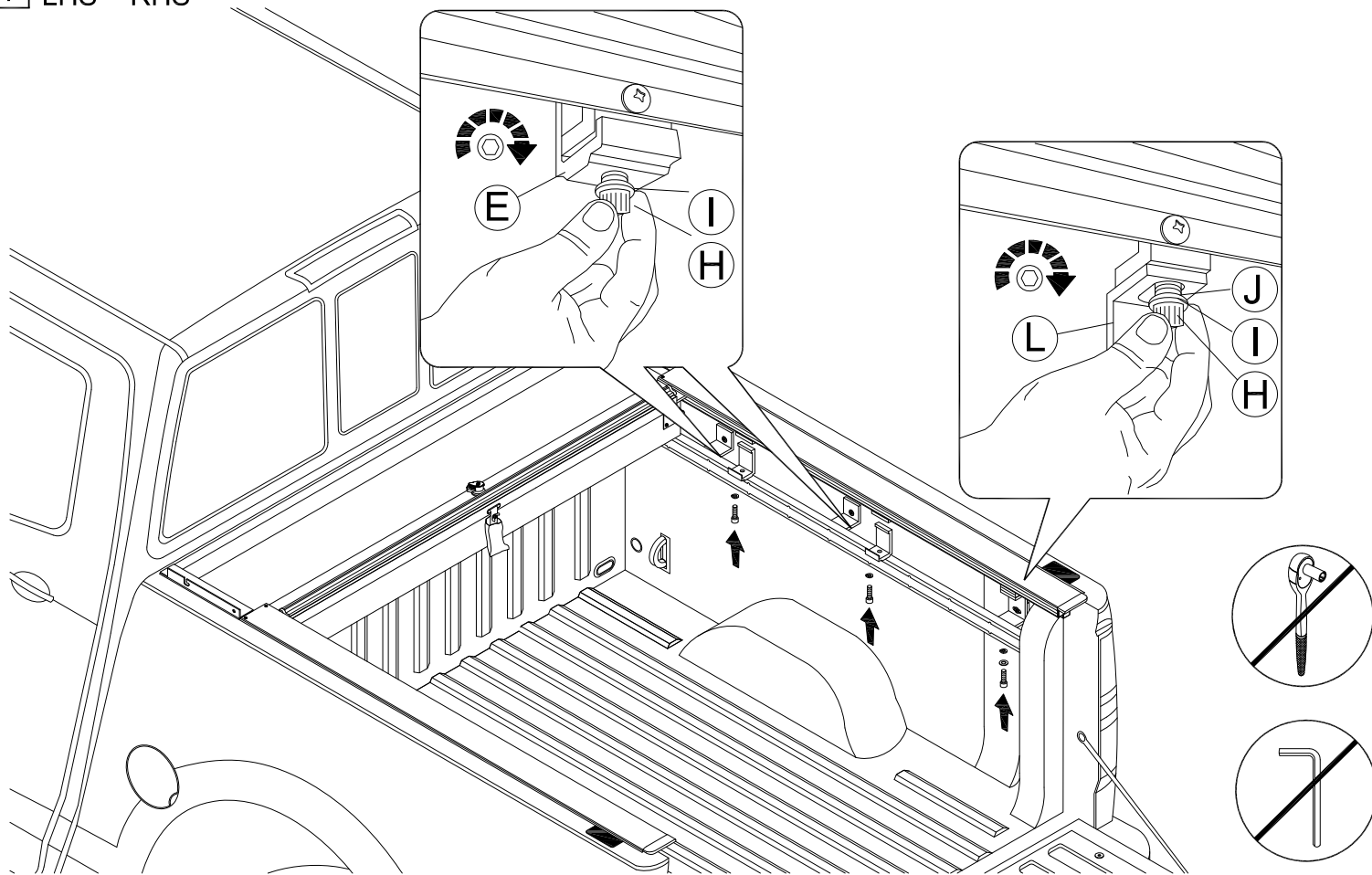
5 LHS = RHS



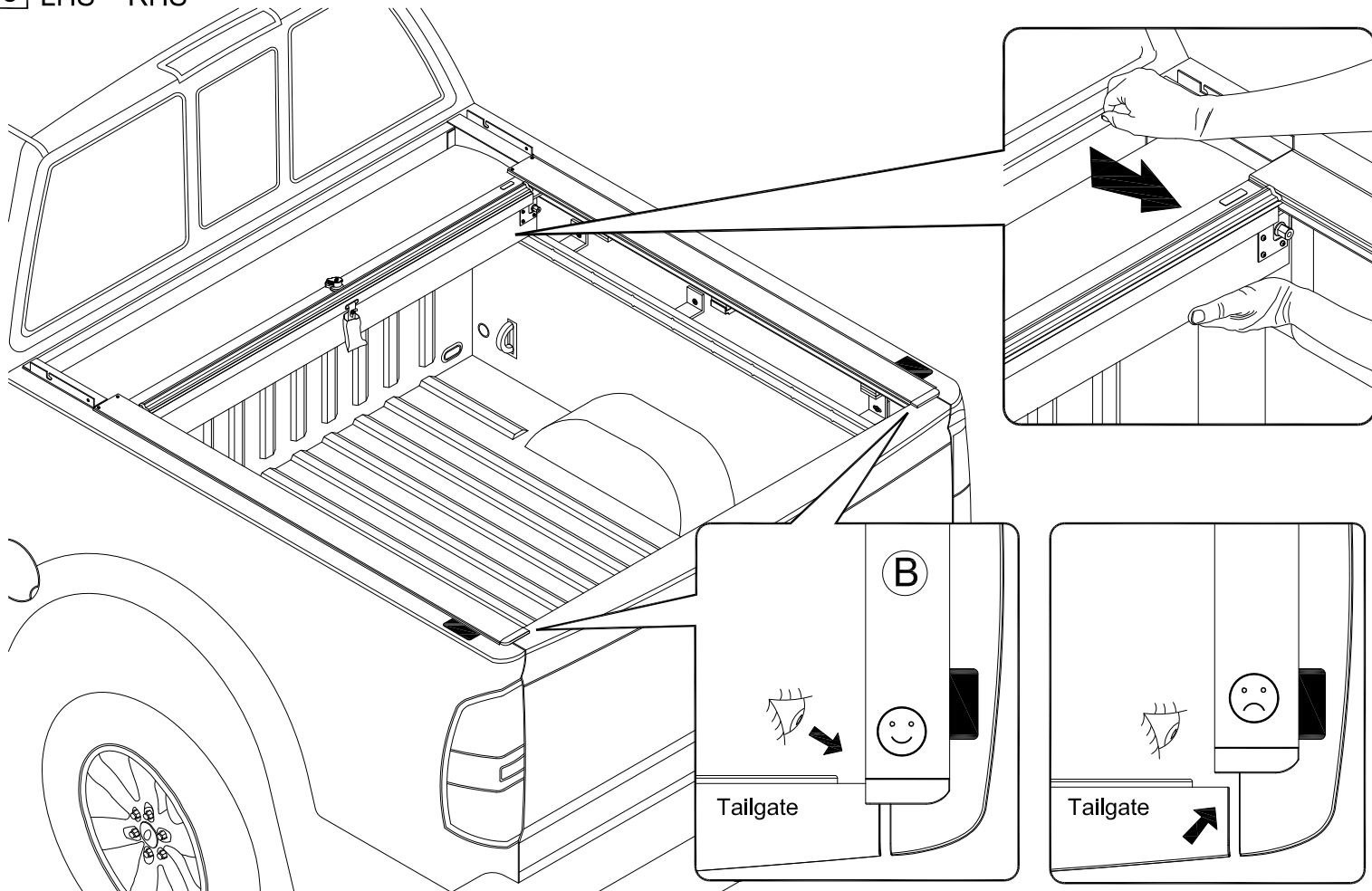
6 LHS = RHS



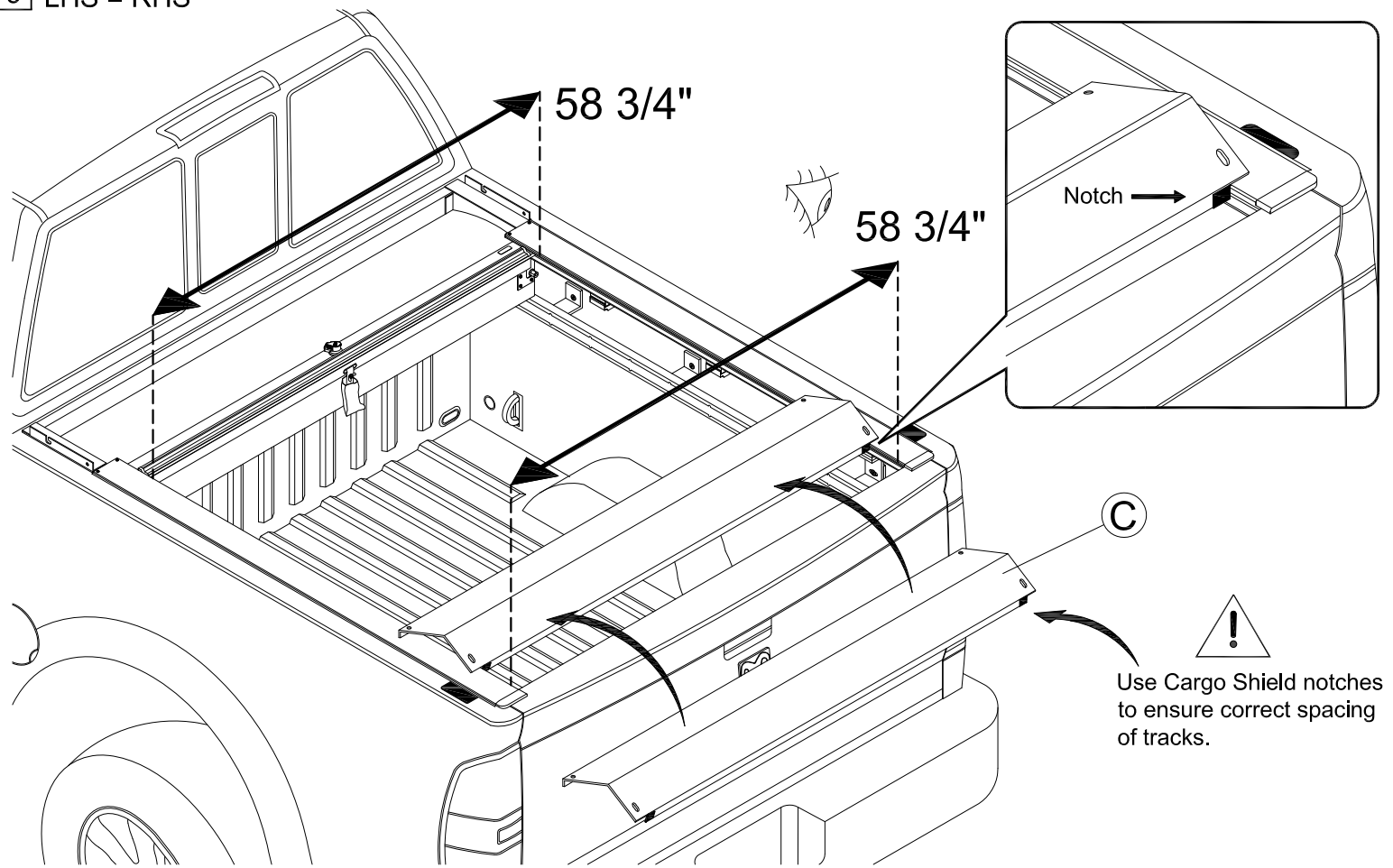
7 LHS = RHS



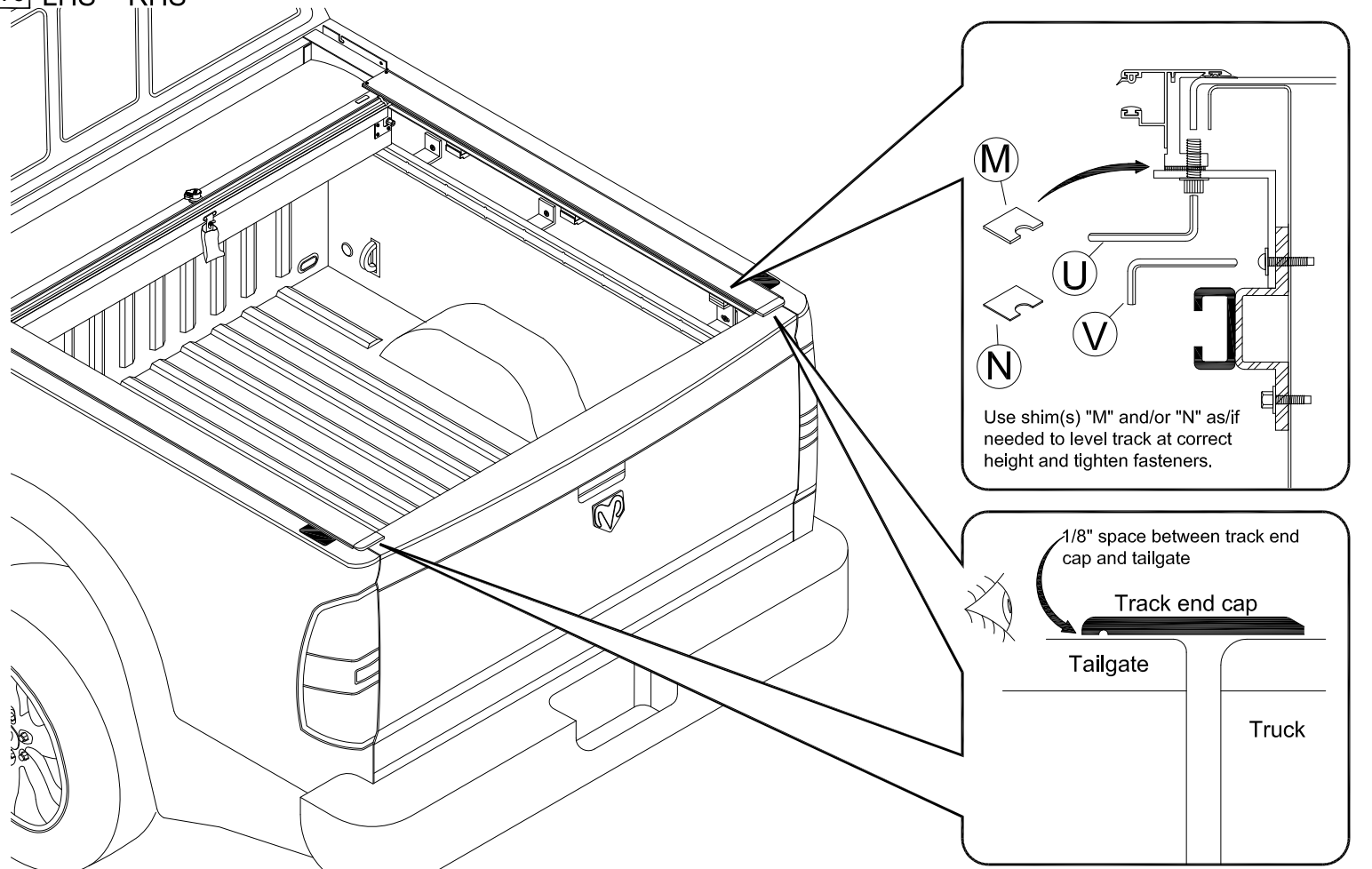
8 LHS = RHS

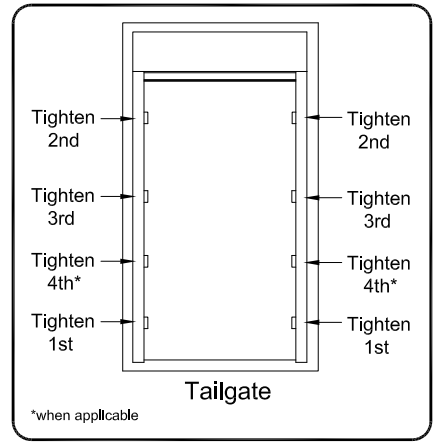
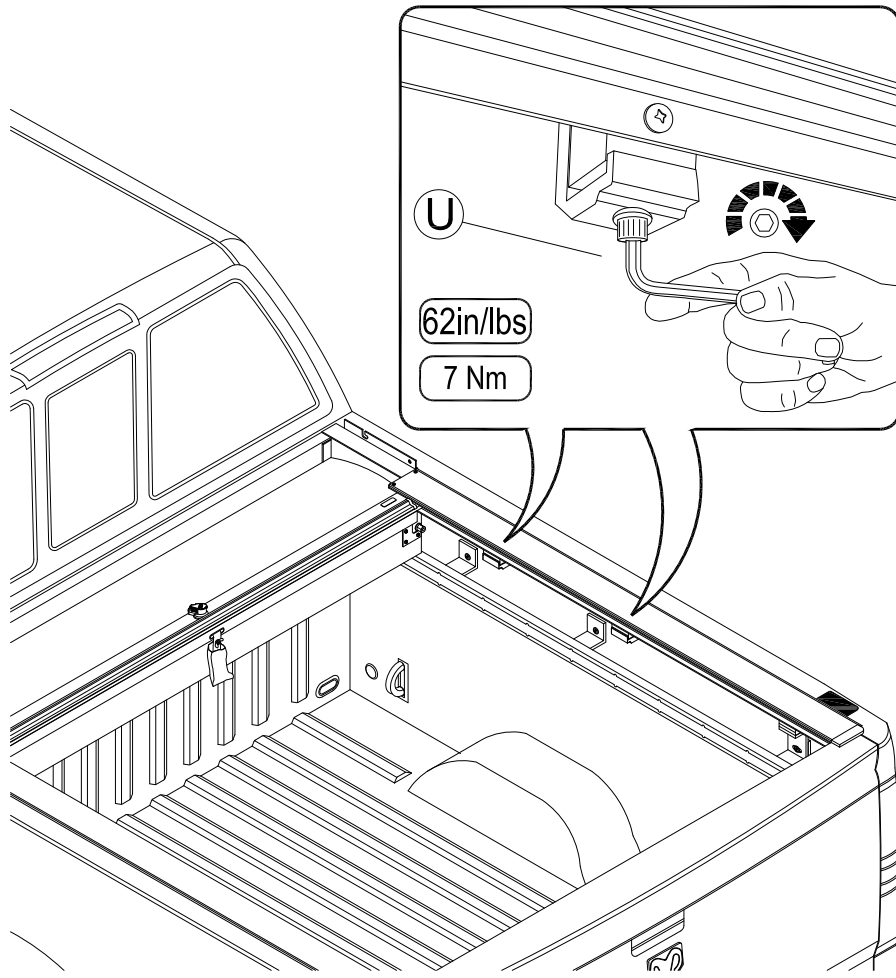


9 LHS = RHS



10 LHS = RHS



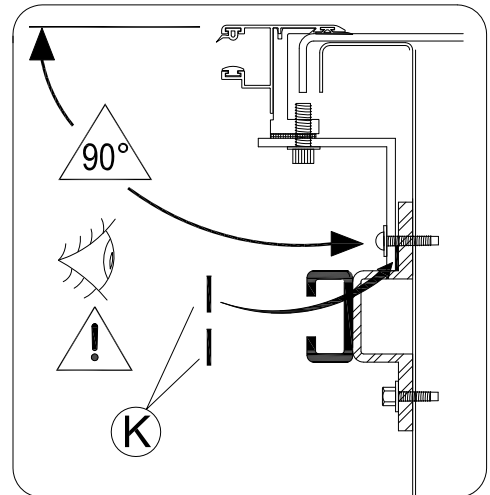
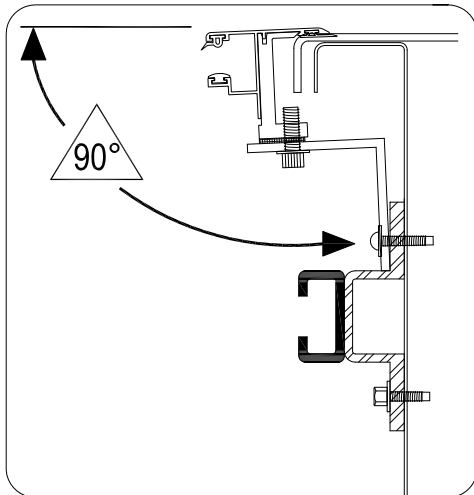


Trouble Shooting

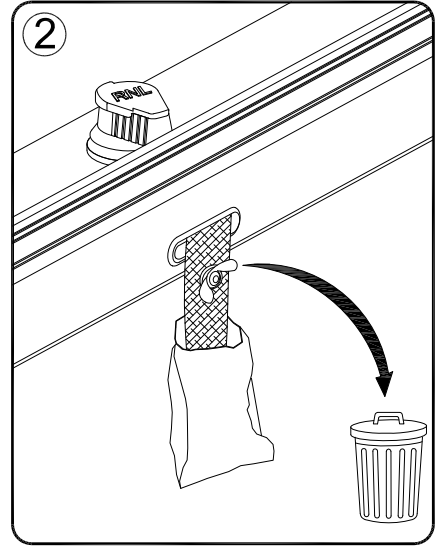
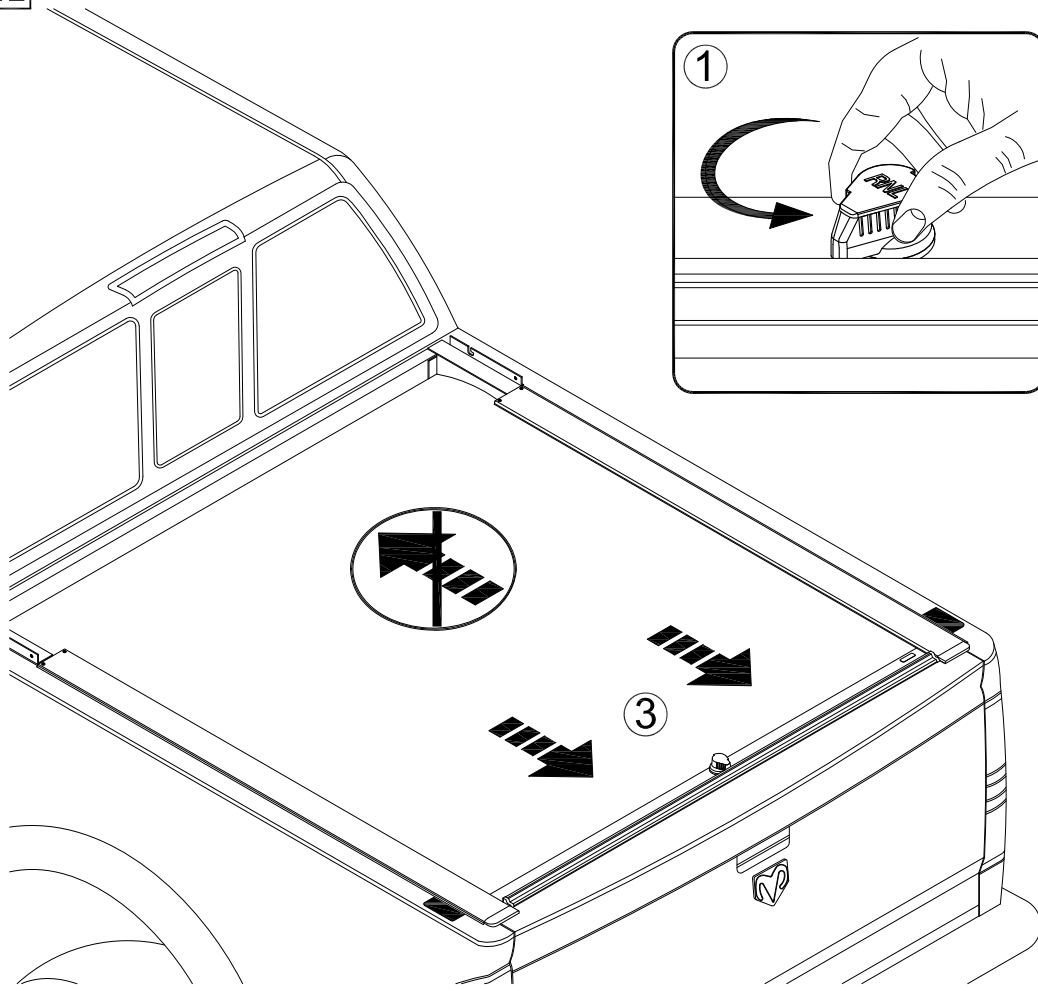
Track tips down.



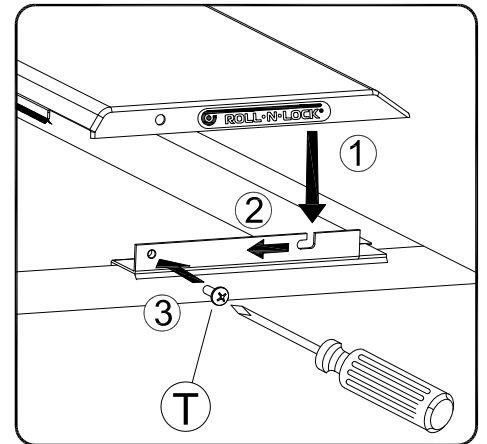
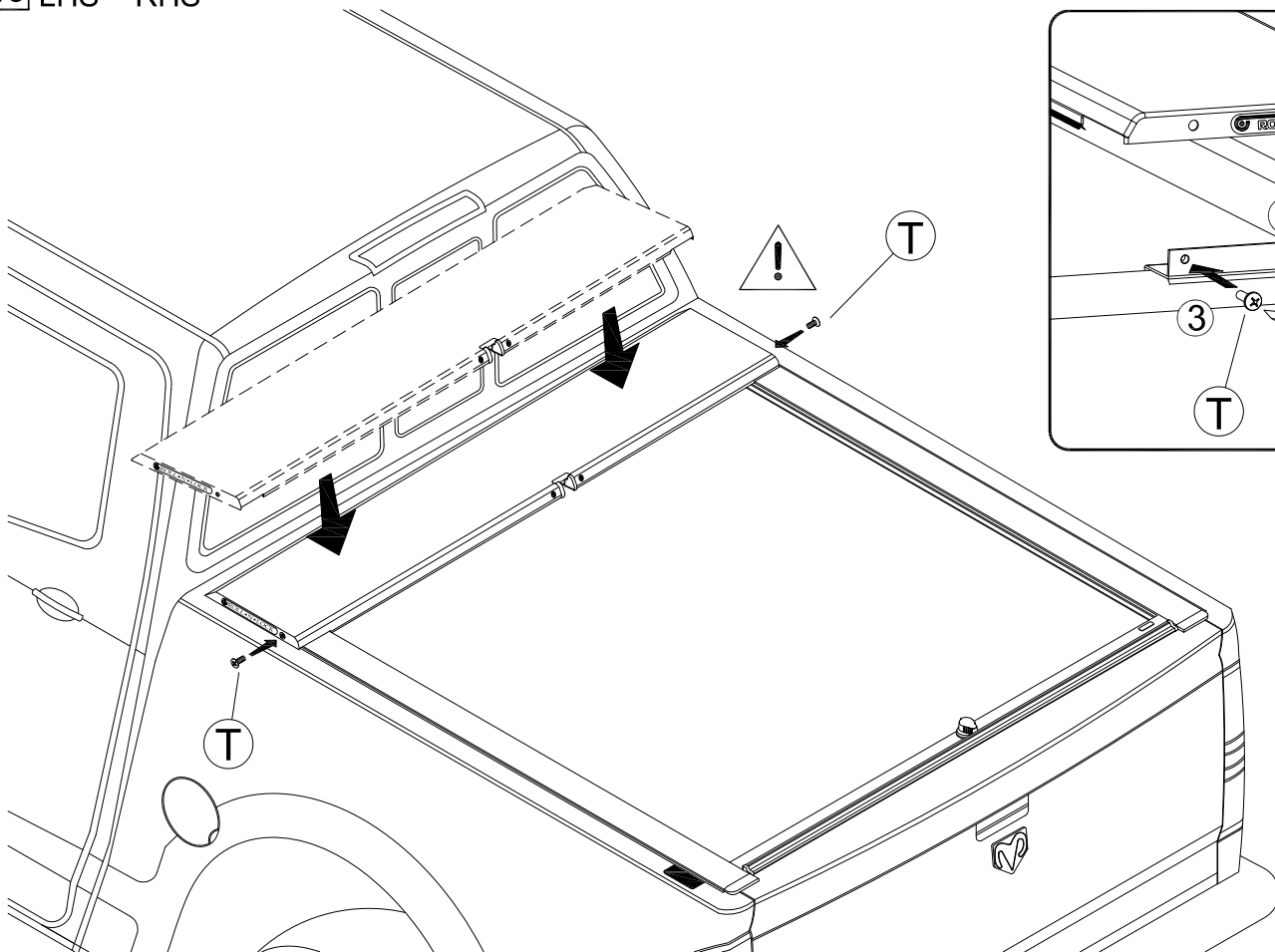
Loosen screw (O) and slide shim(s) (K) behind angle (L) at the bottom and retighten.

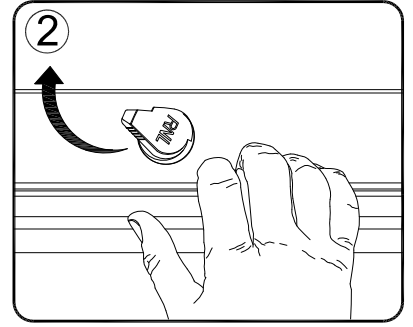
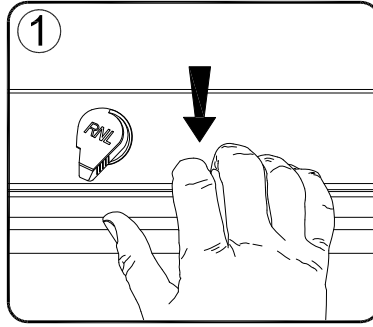
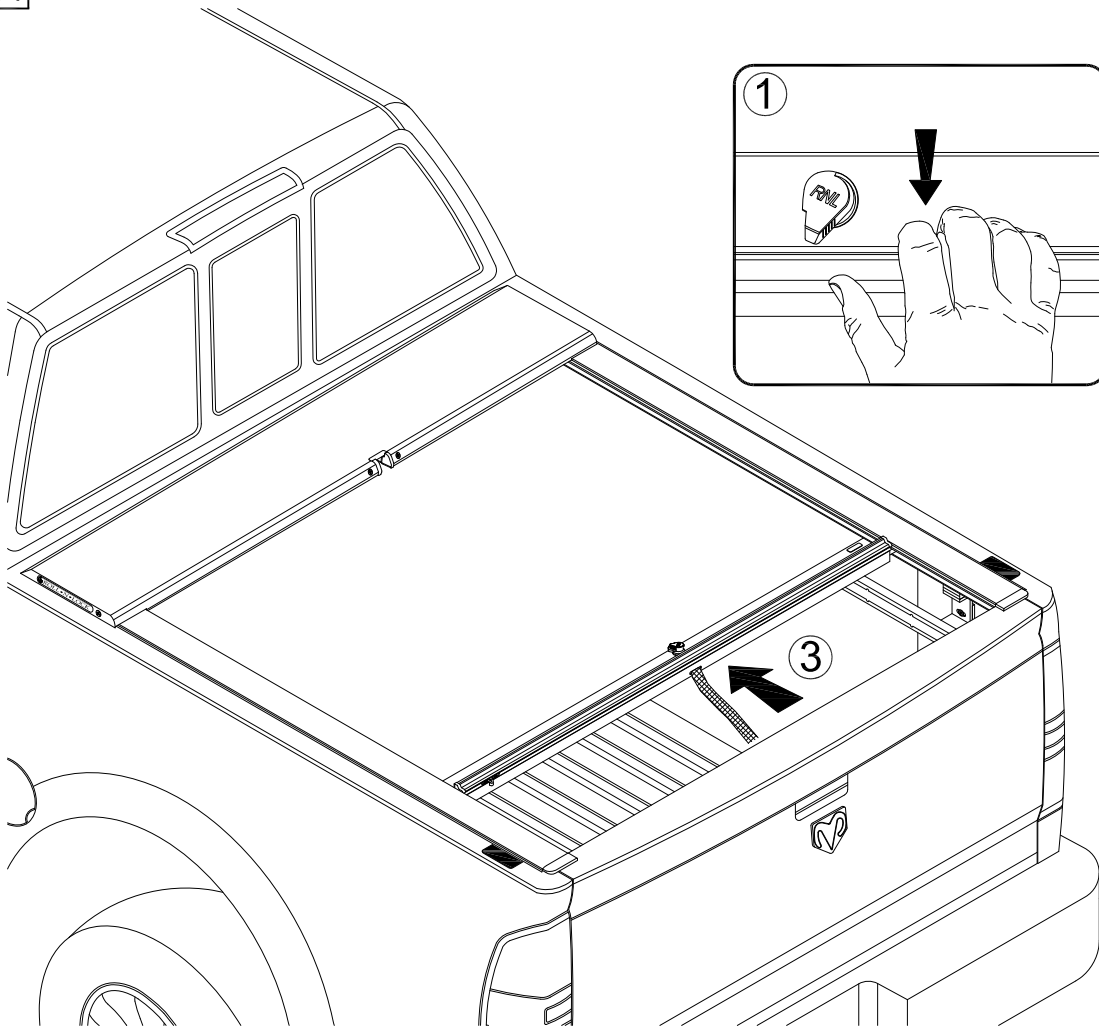


12

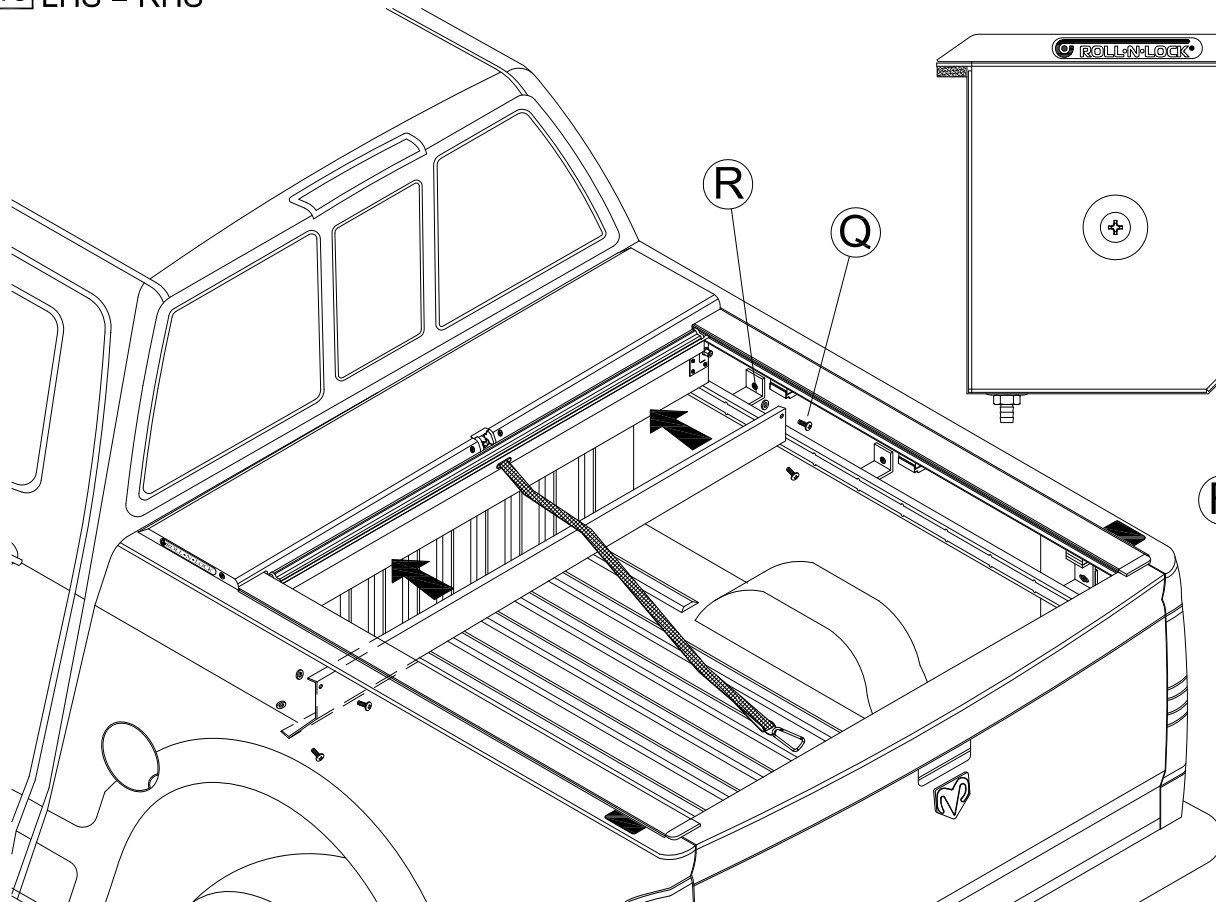


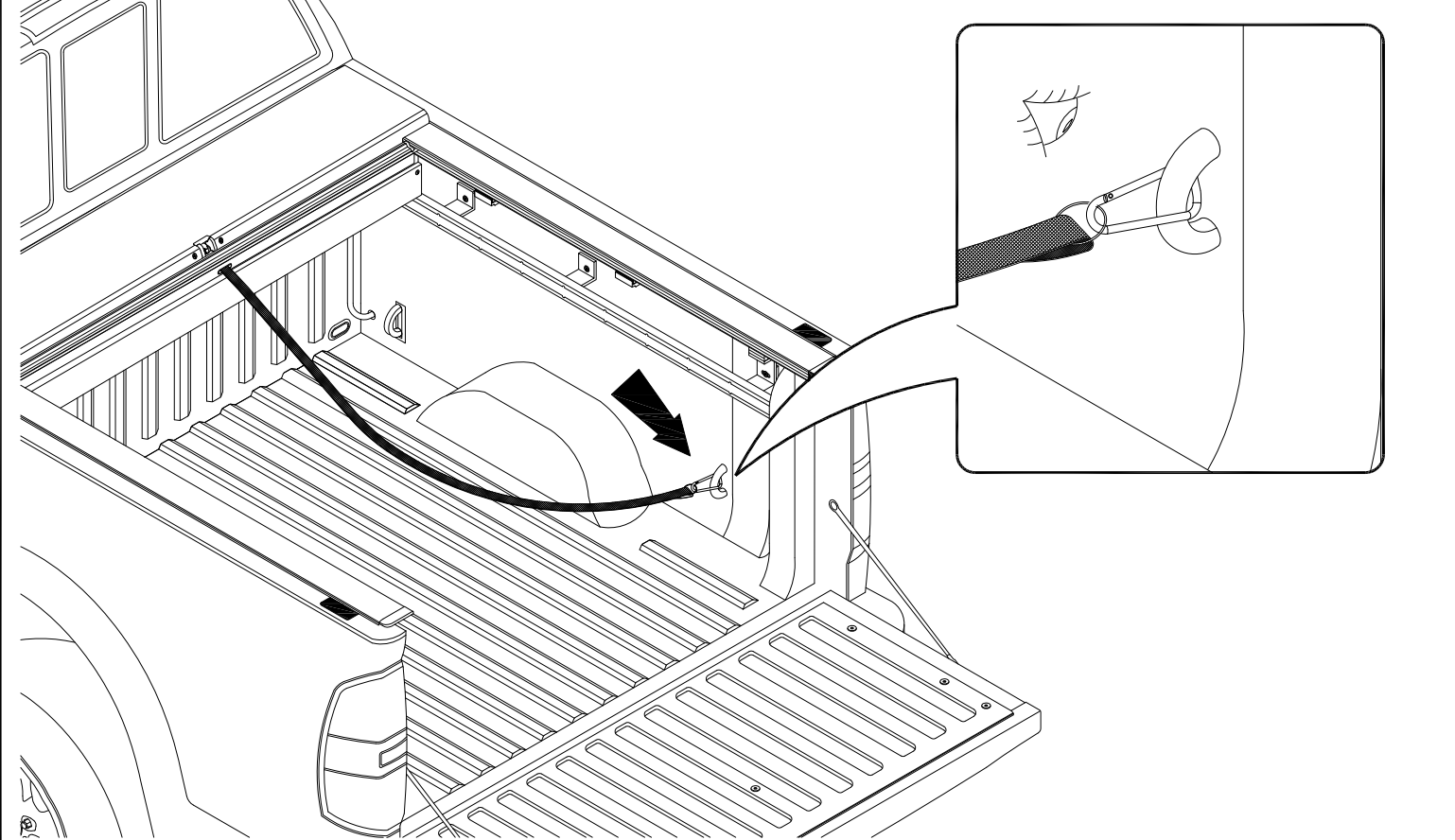
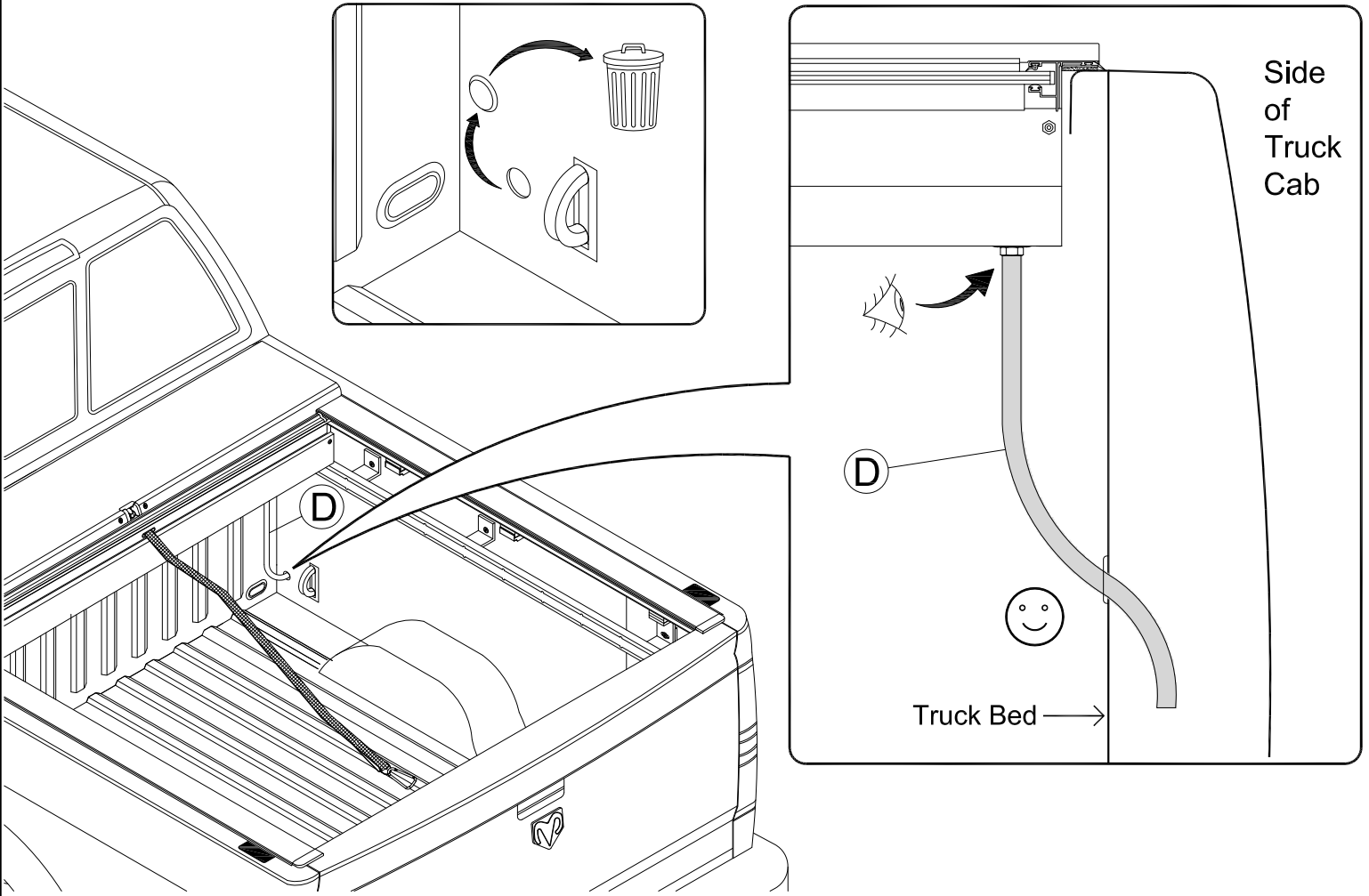
13 LHS = RHS





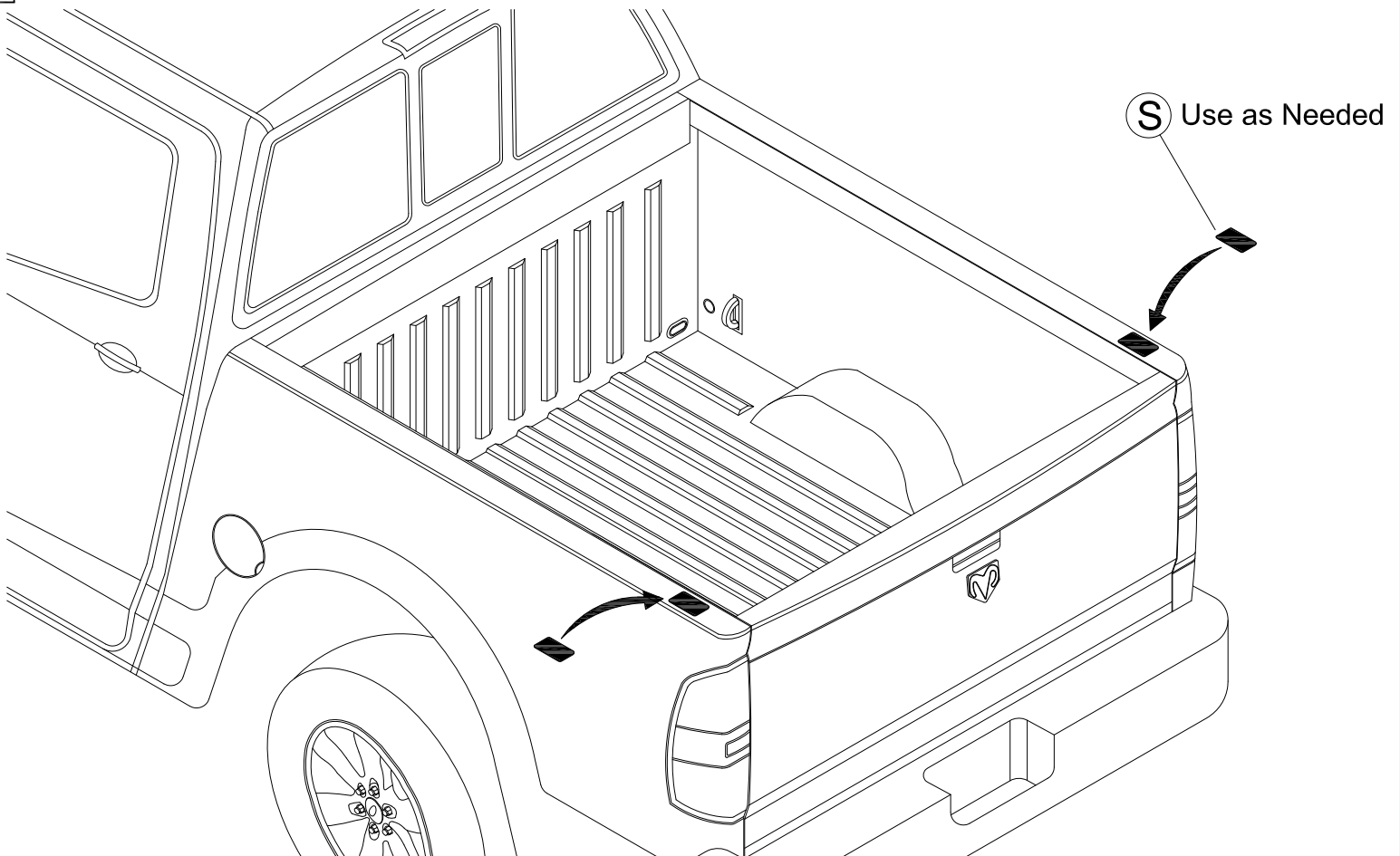
15 LHS = RHS



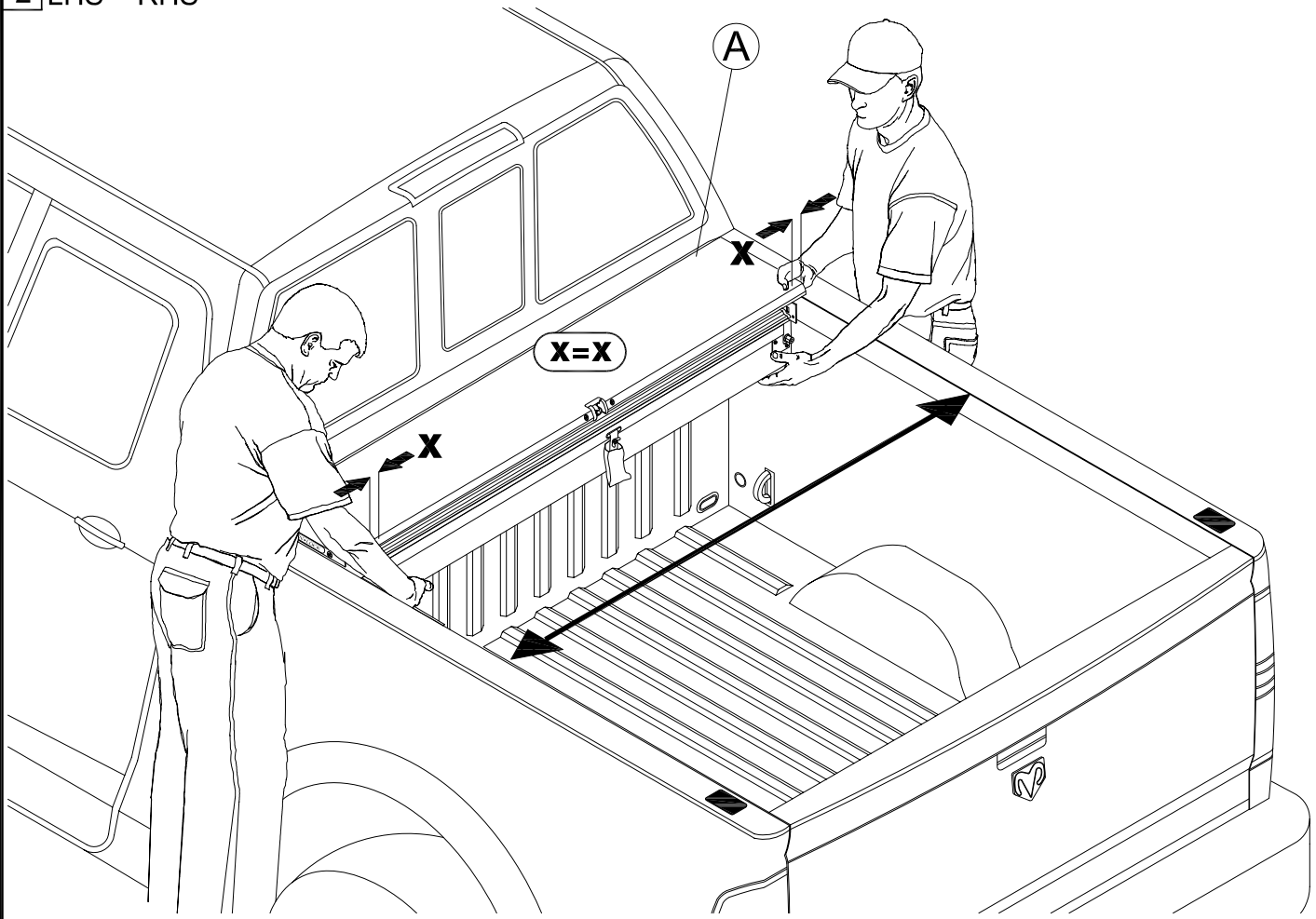


IF TRUCK IS **NOT** EQUIPPED WITH
UTILITY RAILS PROCEED WITH
INSTRUCTIONS ON PAGES 14 - 23

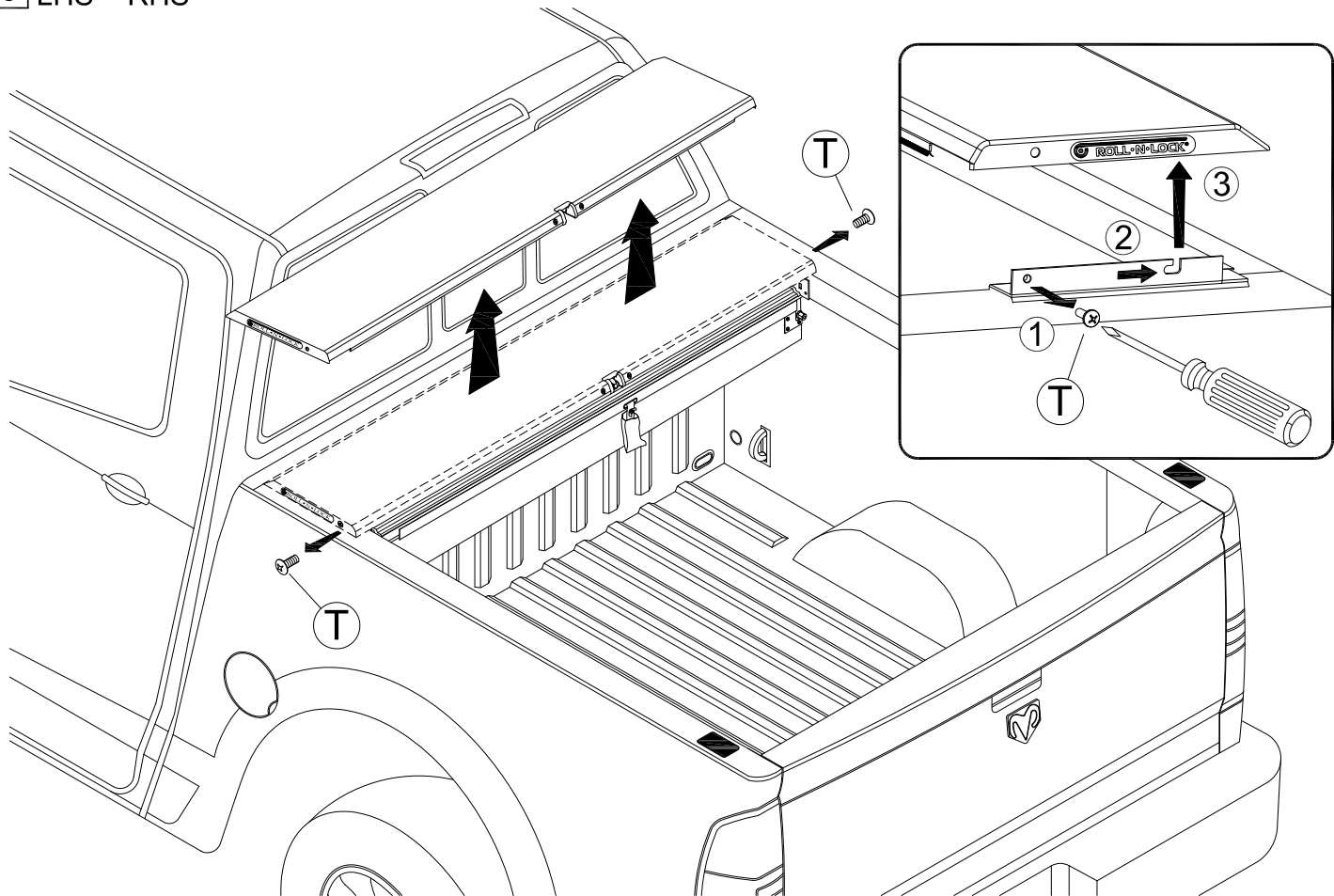
1 | LHS = RHS

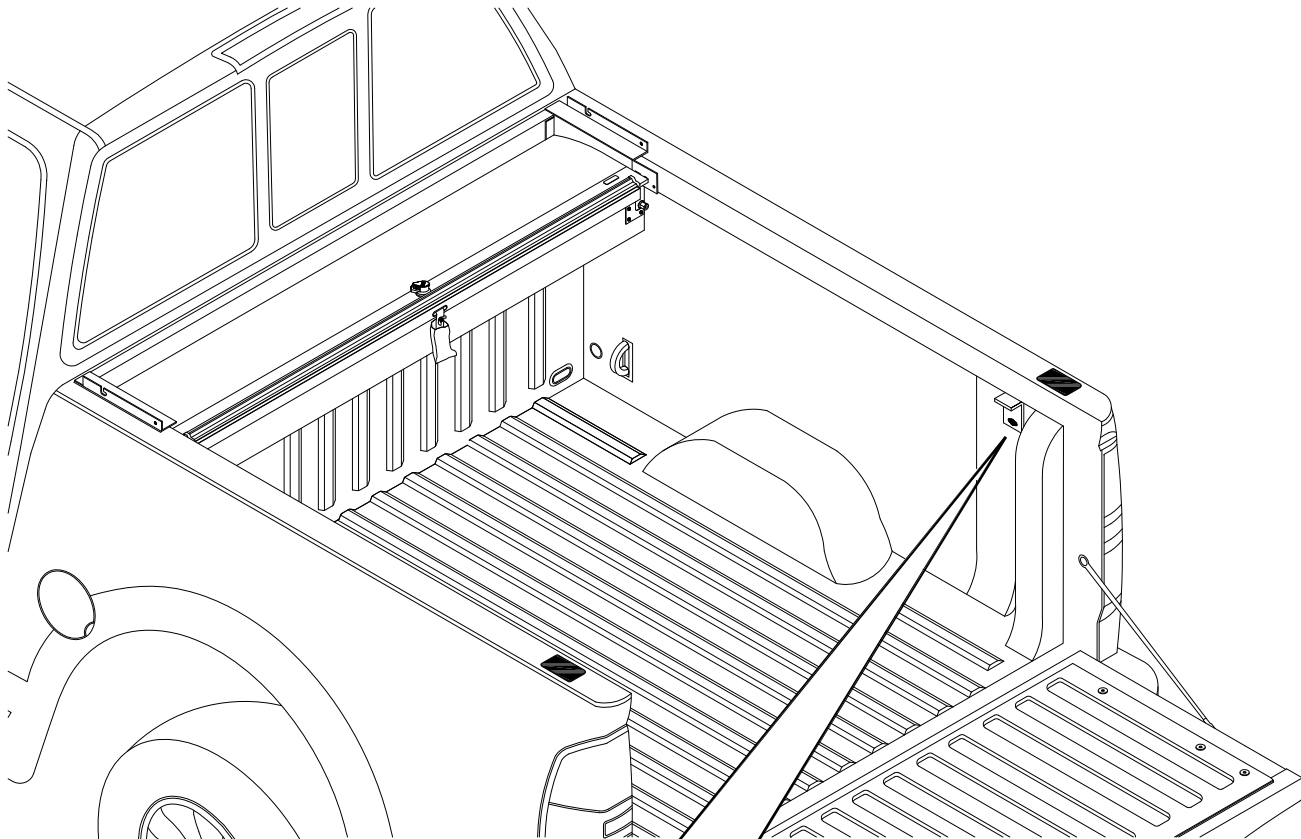


2 LHS = RHS

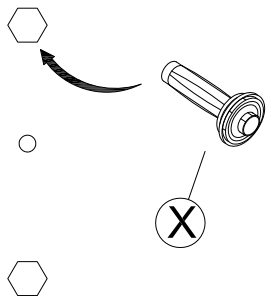


3 LHS = RHS

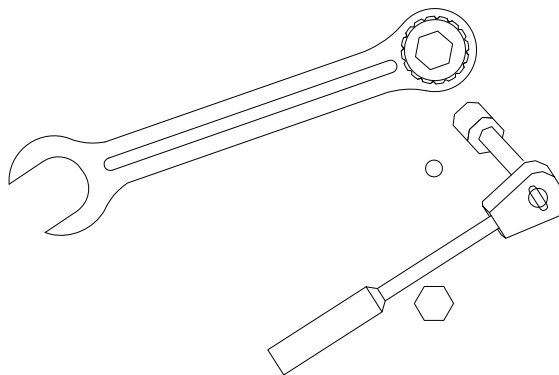




Insert expansion bolt fastener into the top hex hole back towards the tailgate



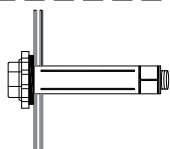
Use a 5/8" box wrench onto the holding sleeve and with a 8mm socket ratchet the bolt tight to secure clamping tines.



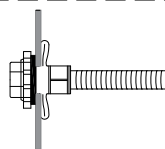
Back out screw leaving threaded insert.



before tighten



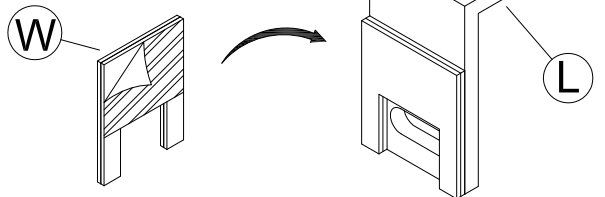
after tighten



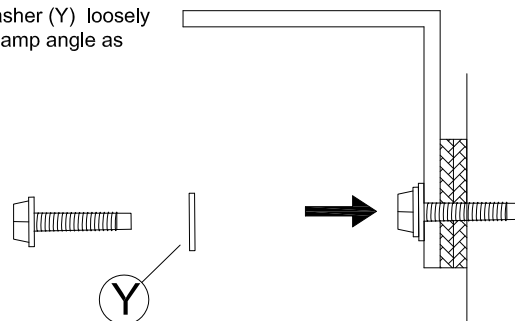
screw removed



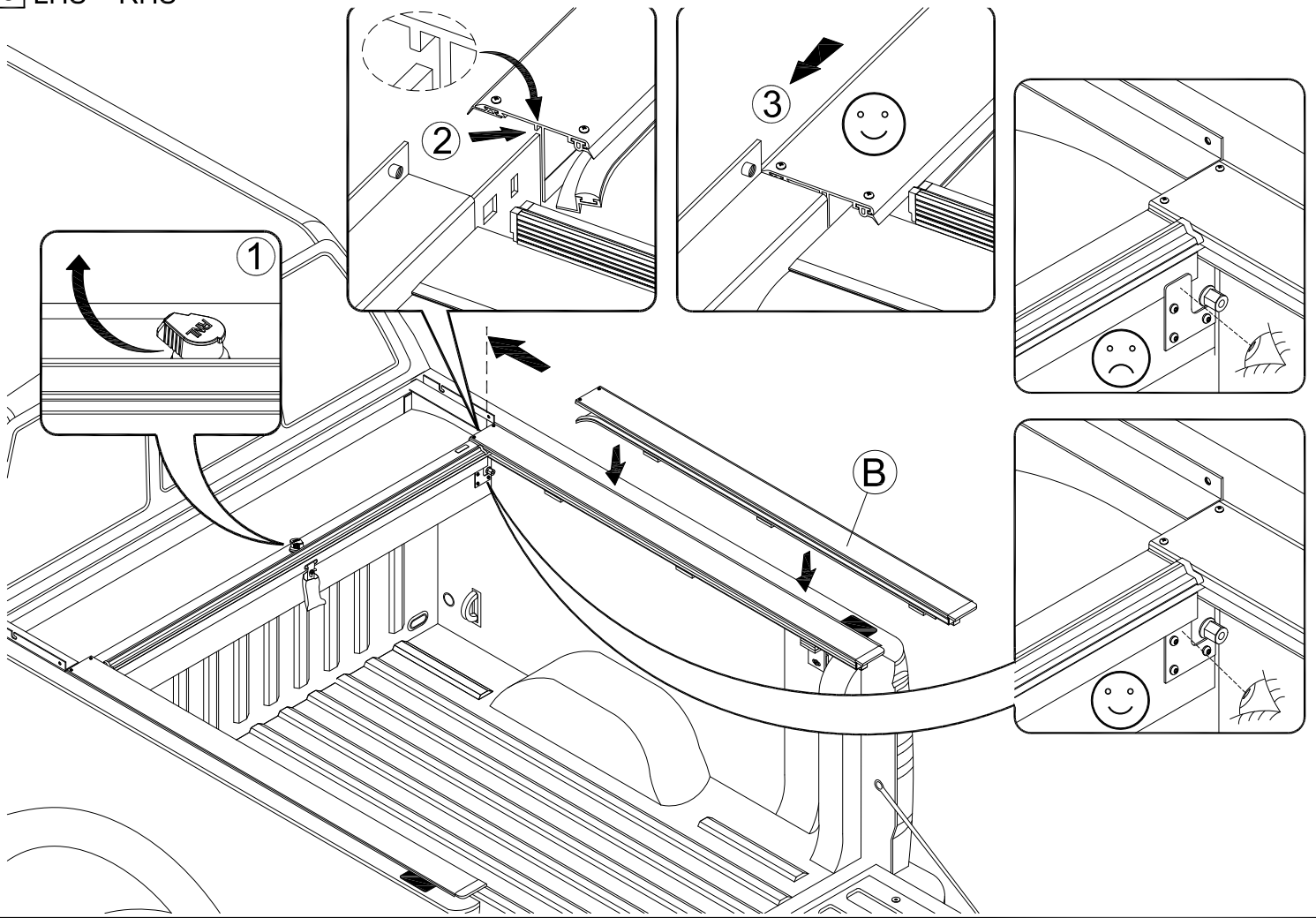
Peel paper from back of shim and stick onto the back of the clamp angle.



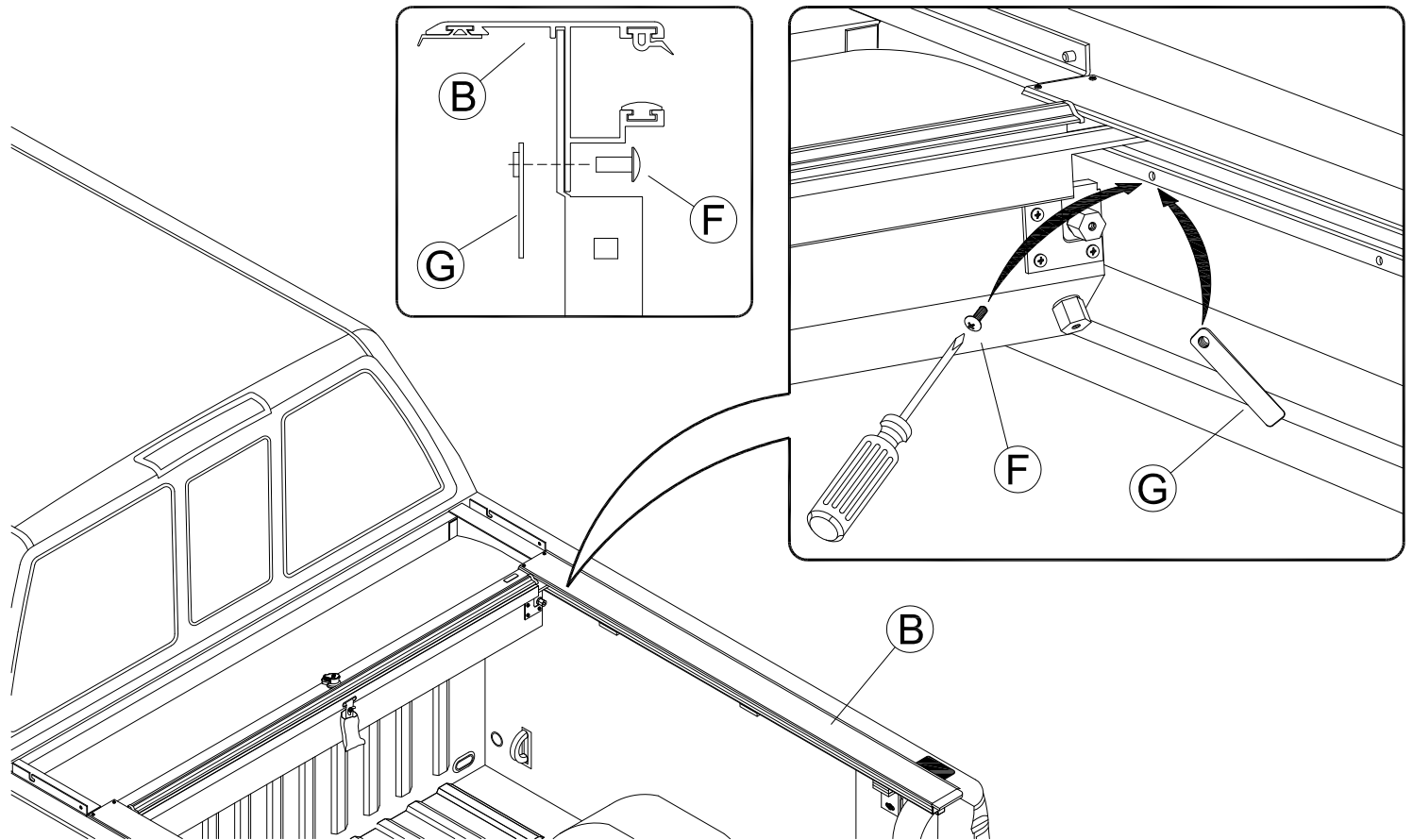
Using the same screw with a supplied washer (Y) loosely install the clamp angle as shown.



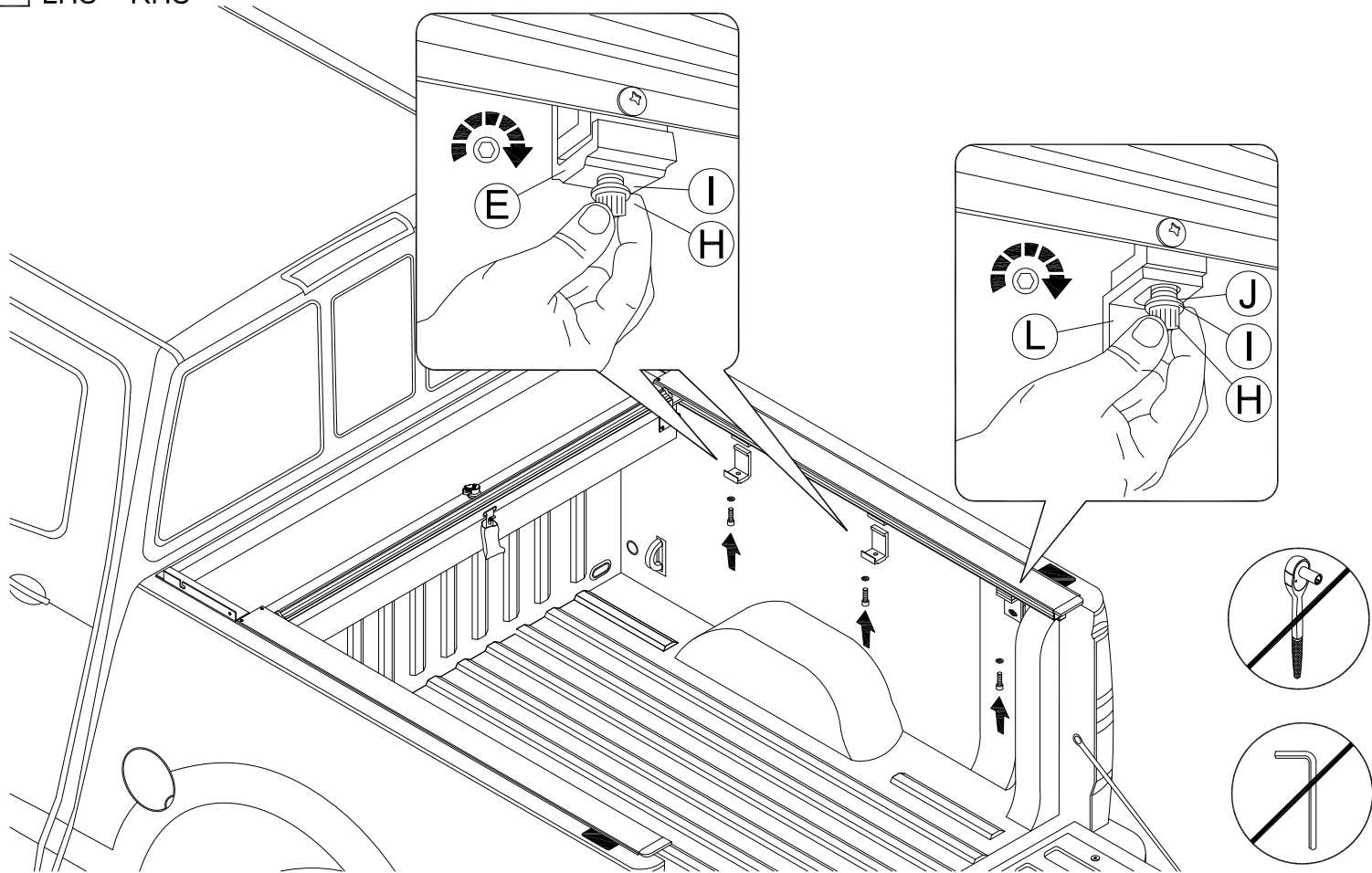
5 LHS = RHS



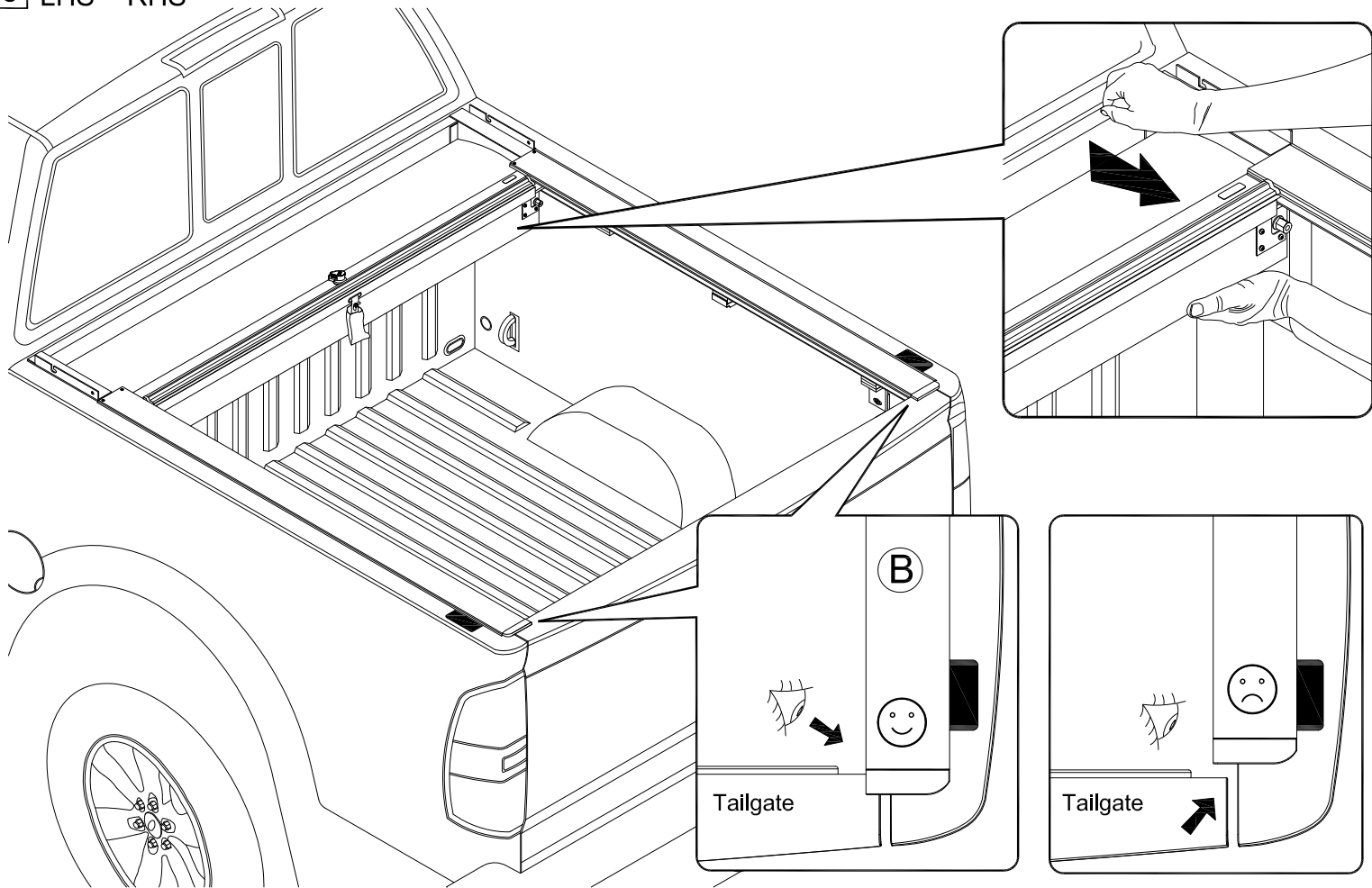
6 LHS = RHS



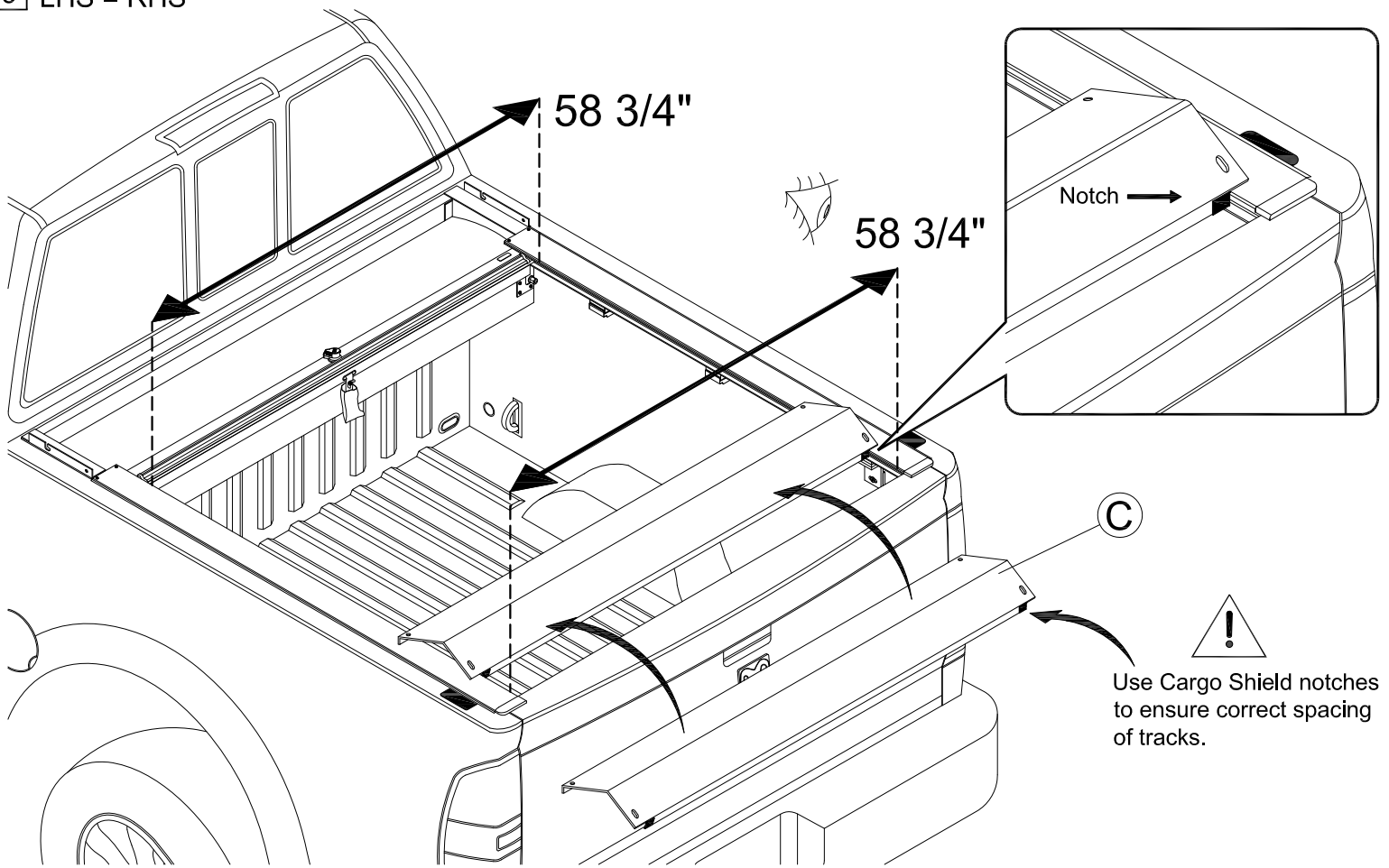
7 LHS = RHS



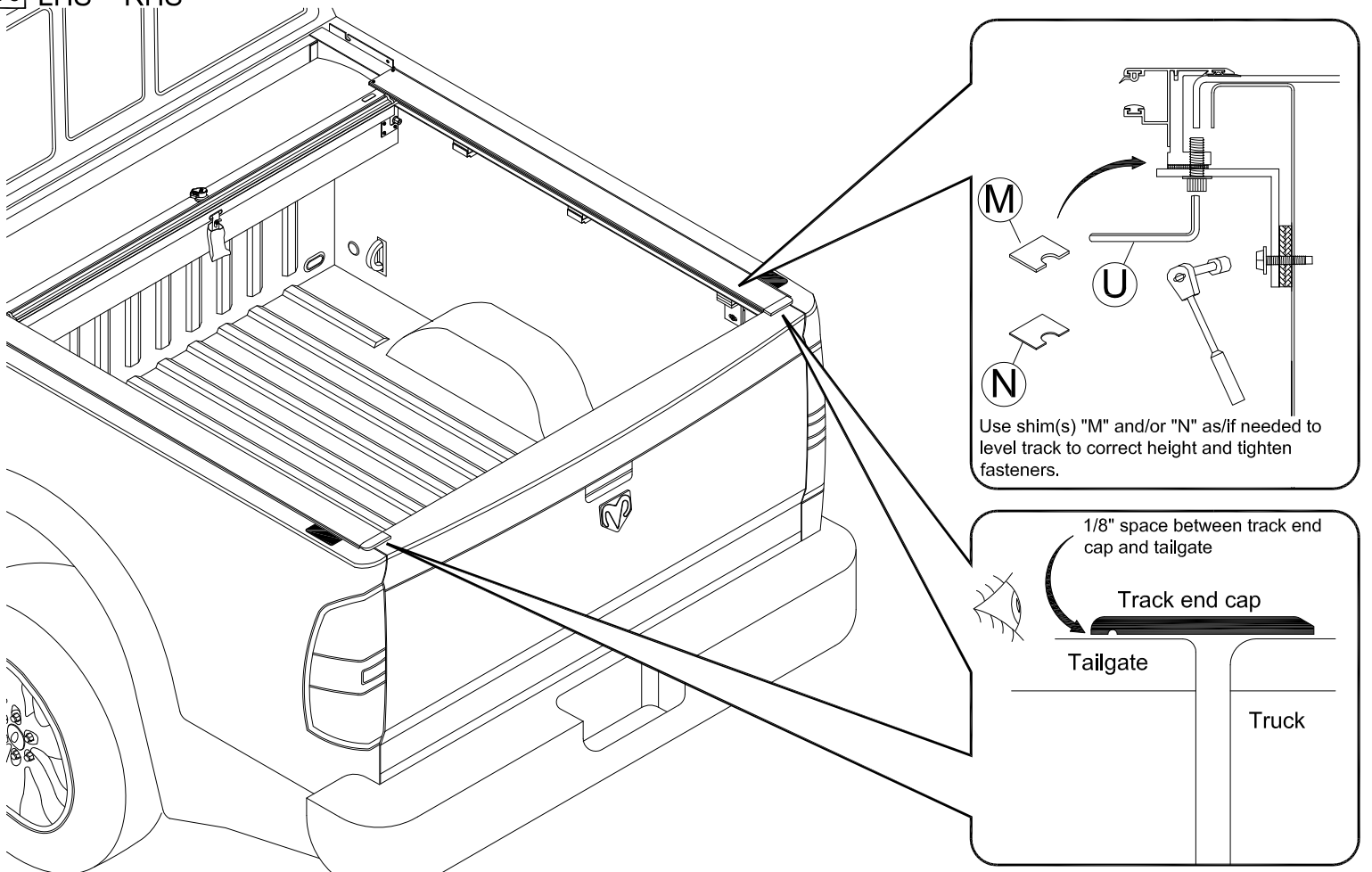
8 LHS = RHS



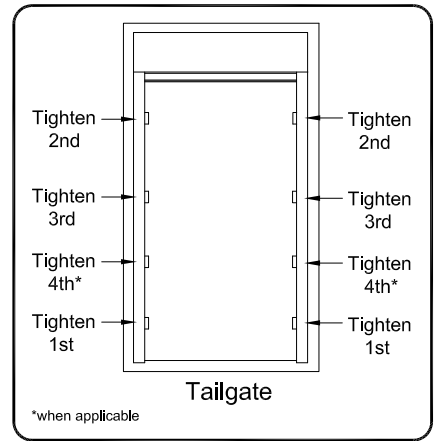
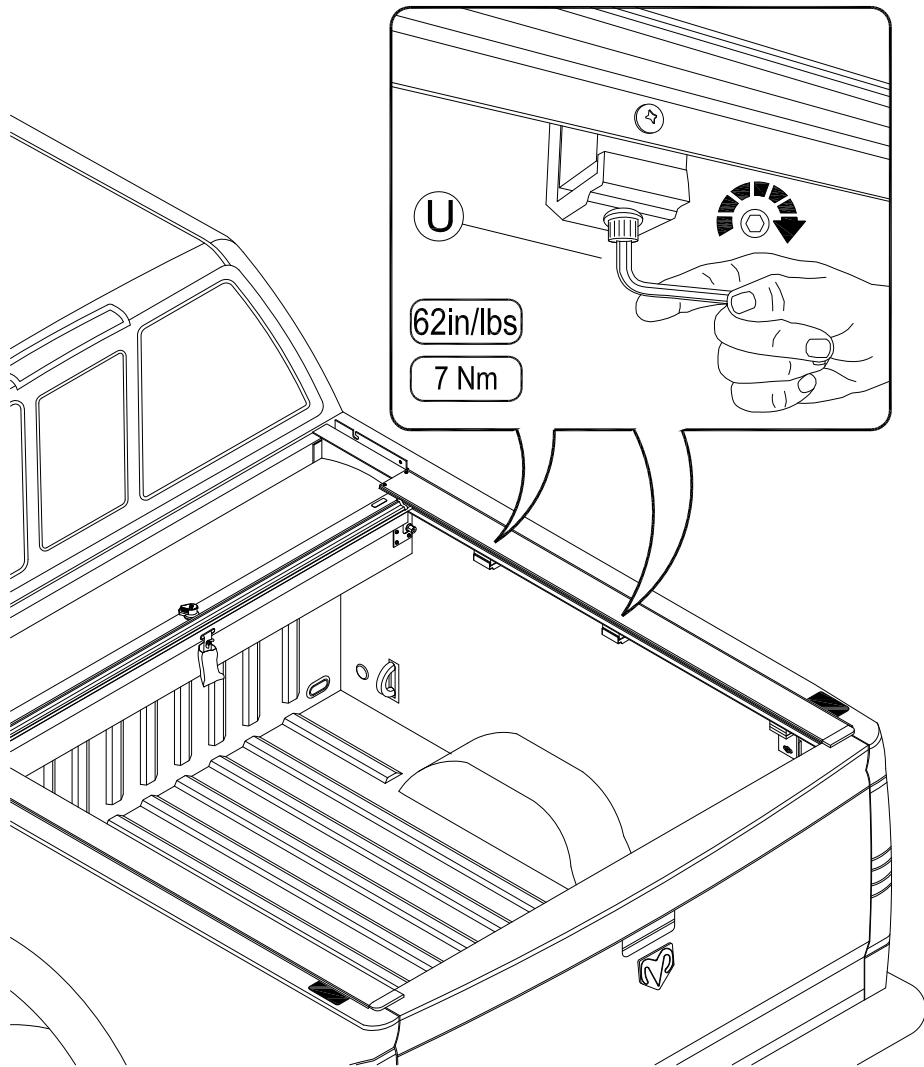
9 LHS = RHS



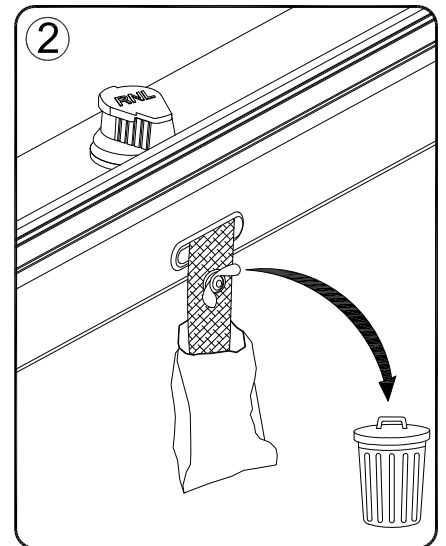
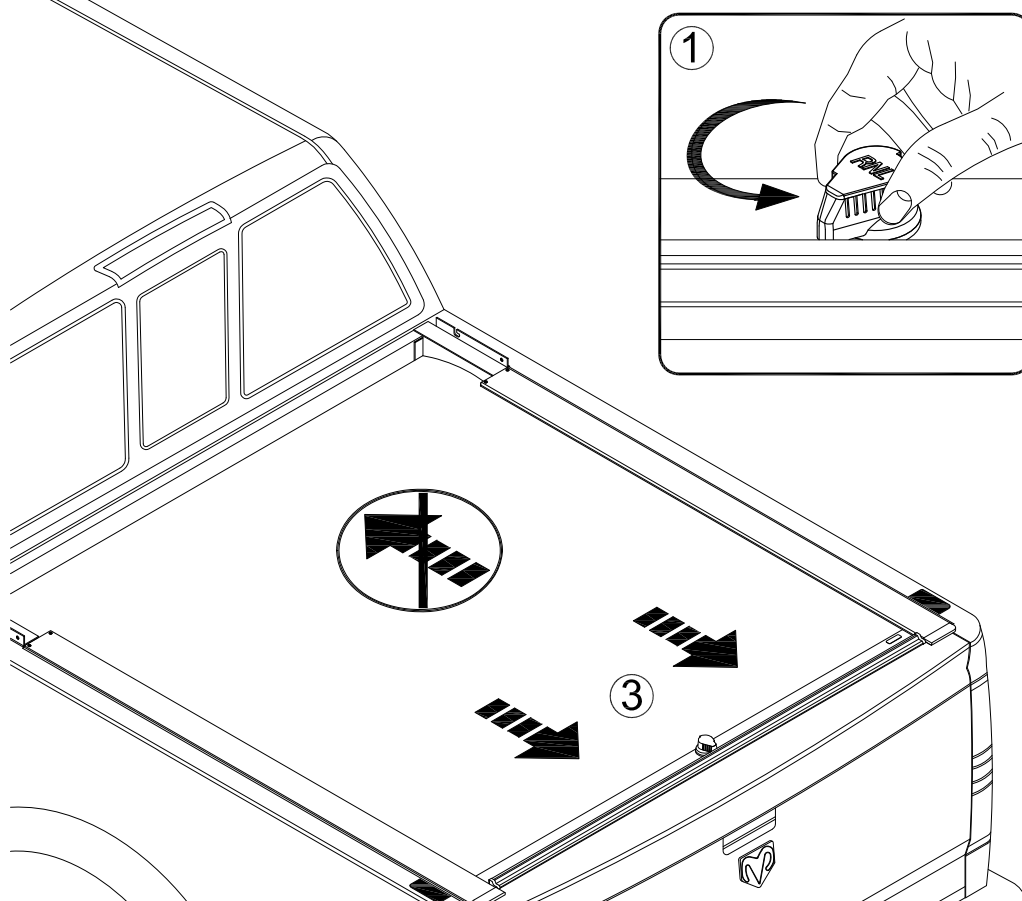
10 LHS = RHS



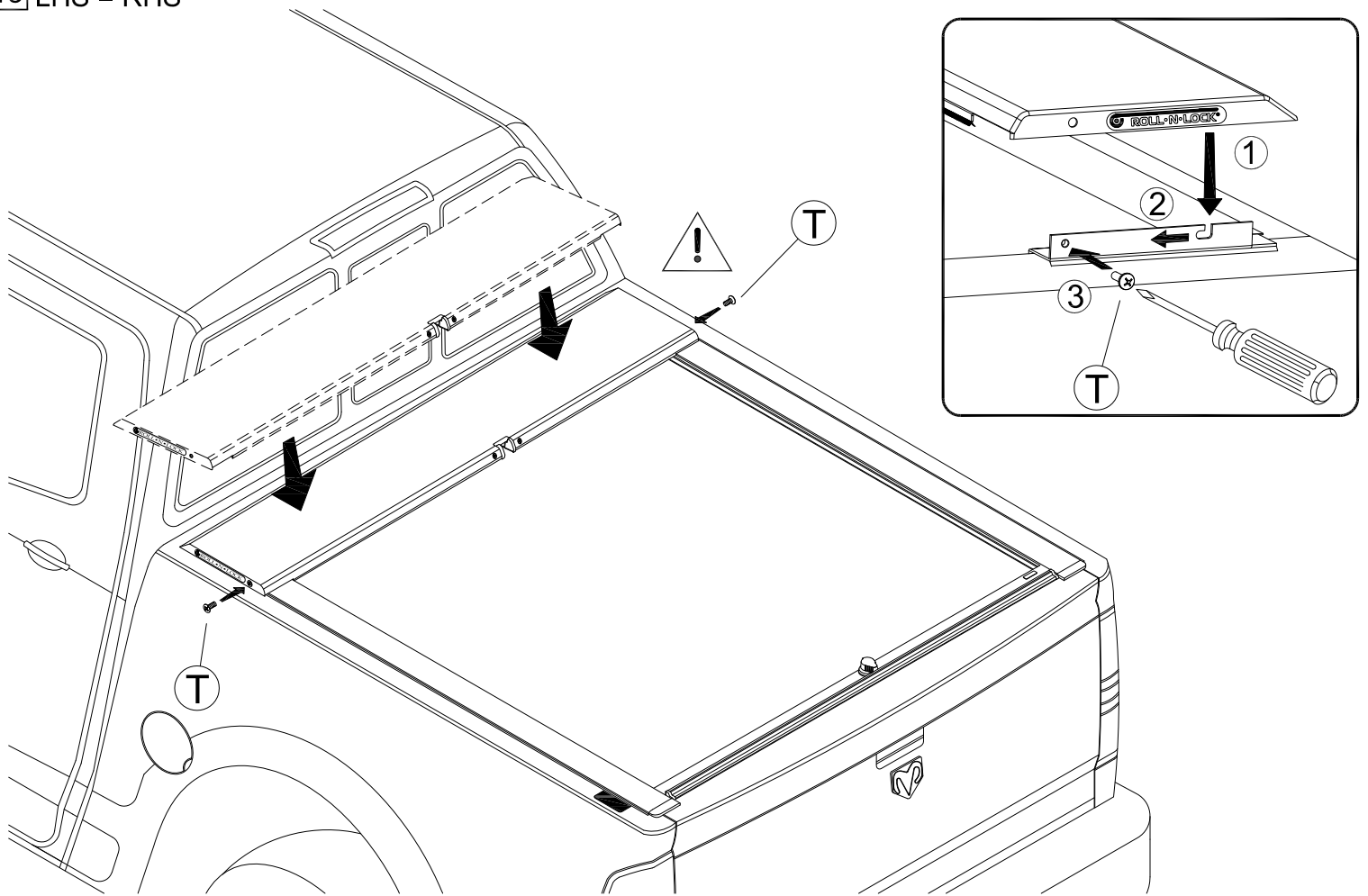
11 LHS = RHS



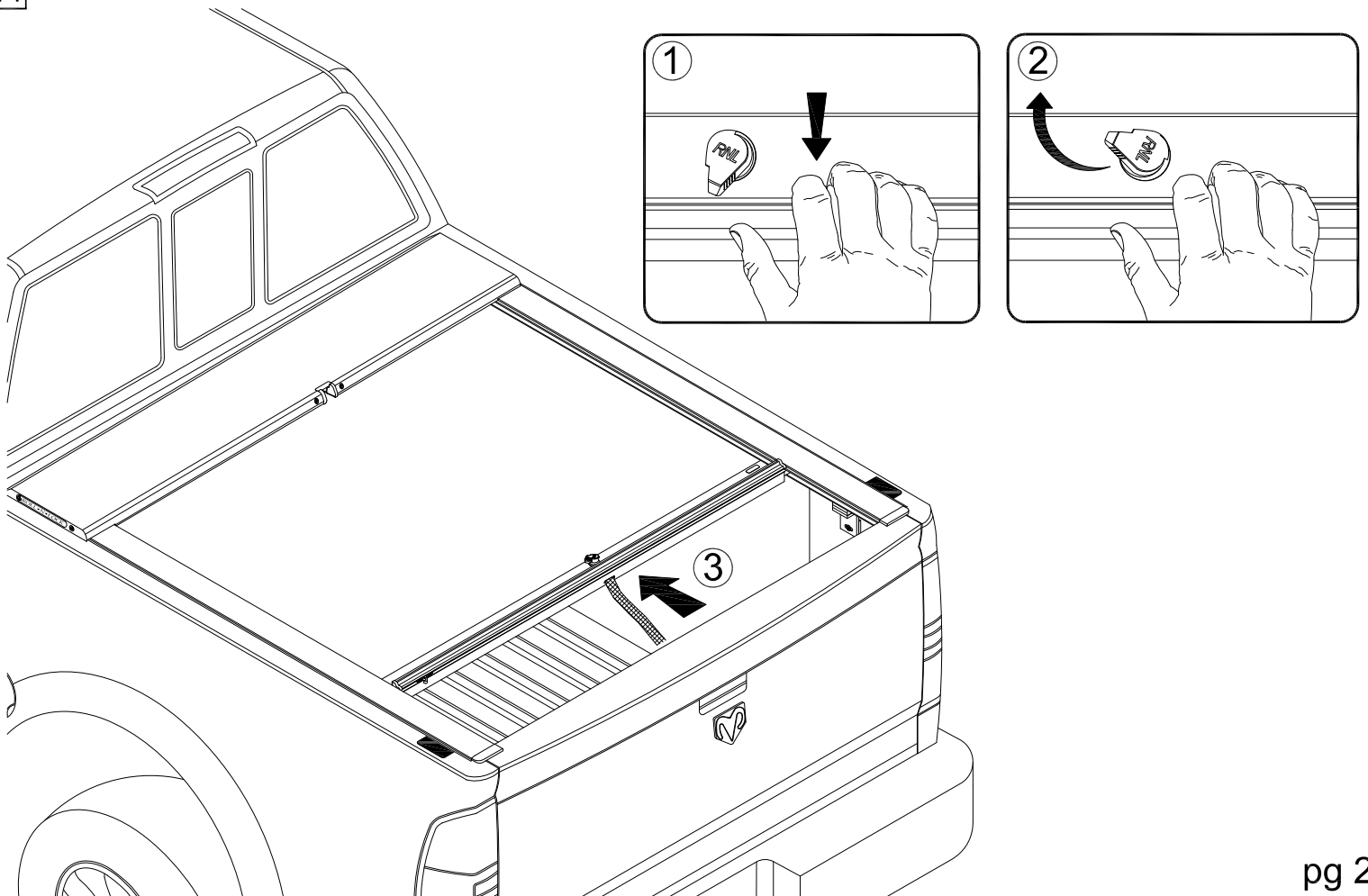
12



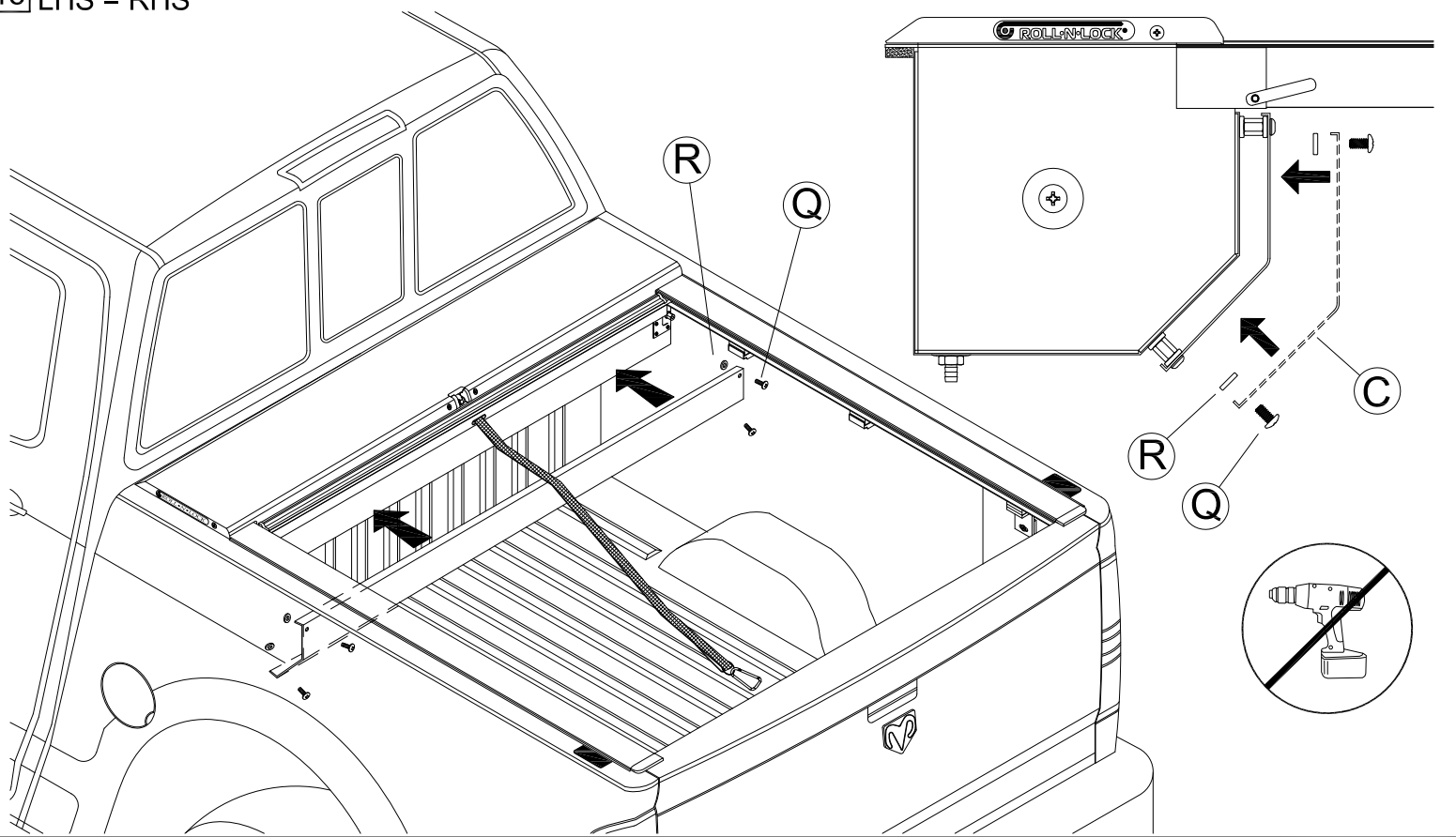
13 LHS = RHS



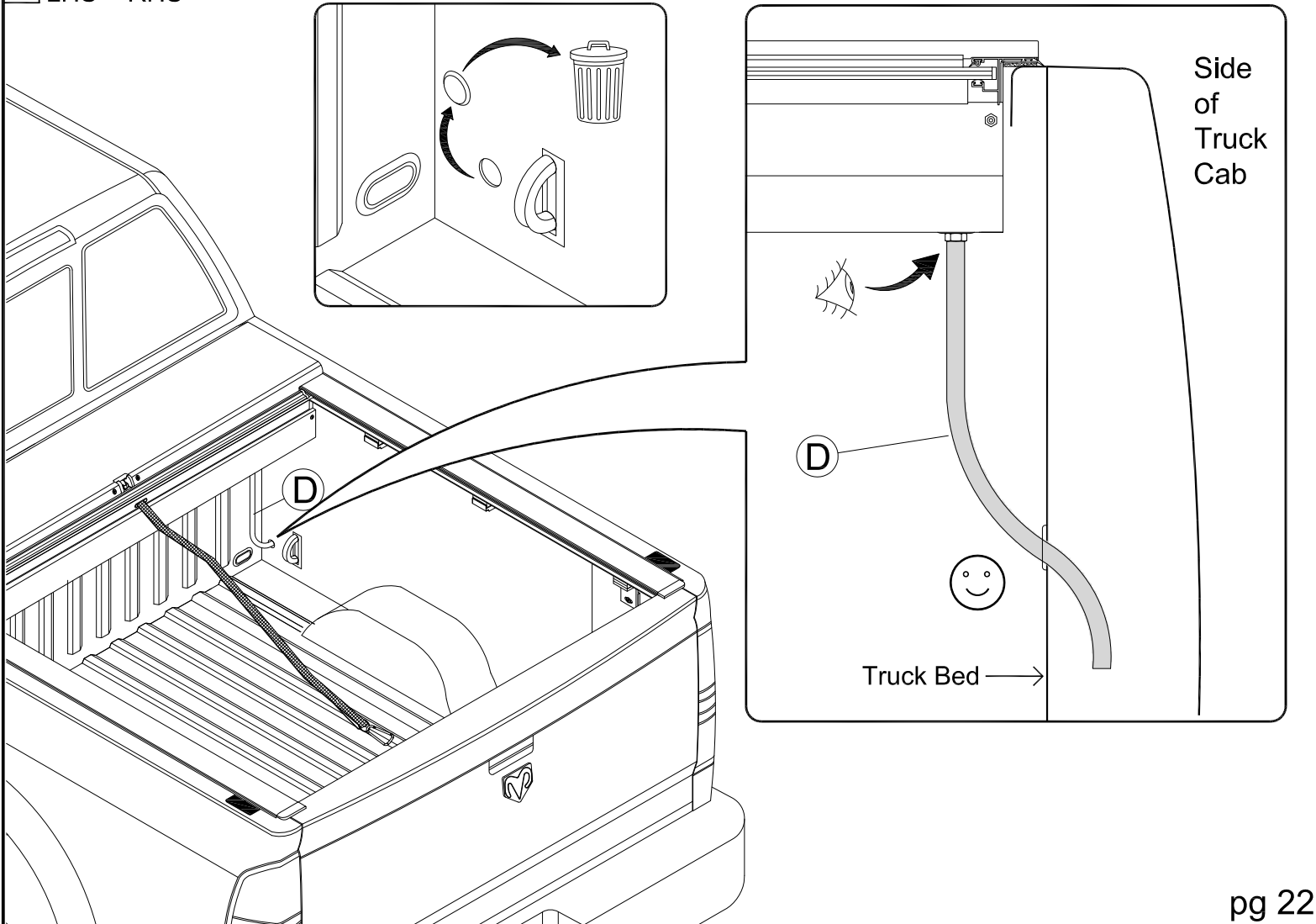
14

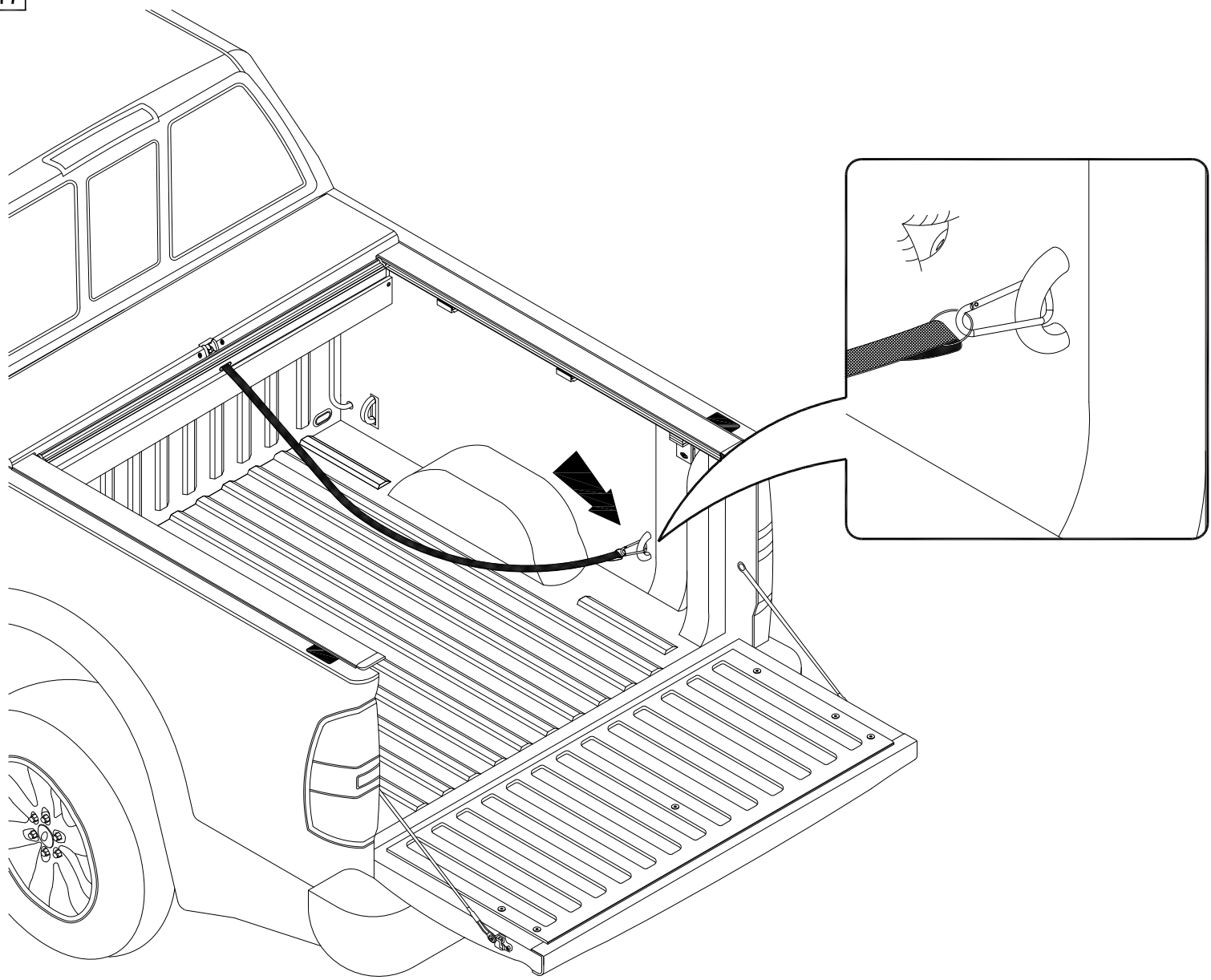


15 LHS = RHS



16 LHS = RHS







Any questions please call Customer Service at 800-952-7655
or email customerservice@rollnlock.com