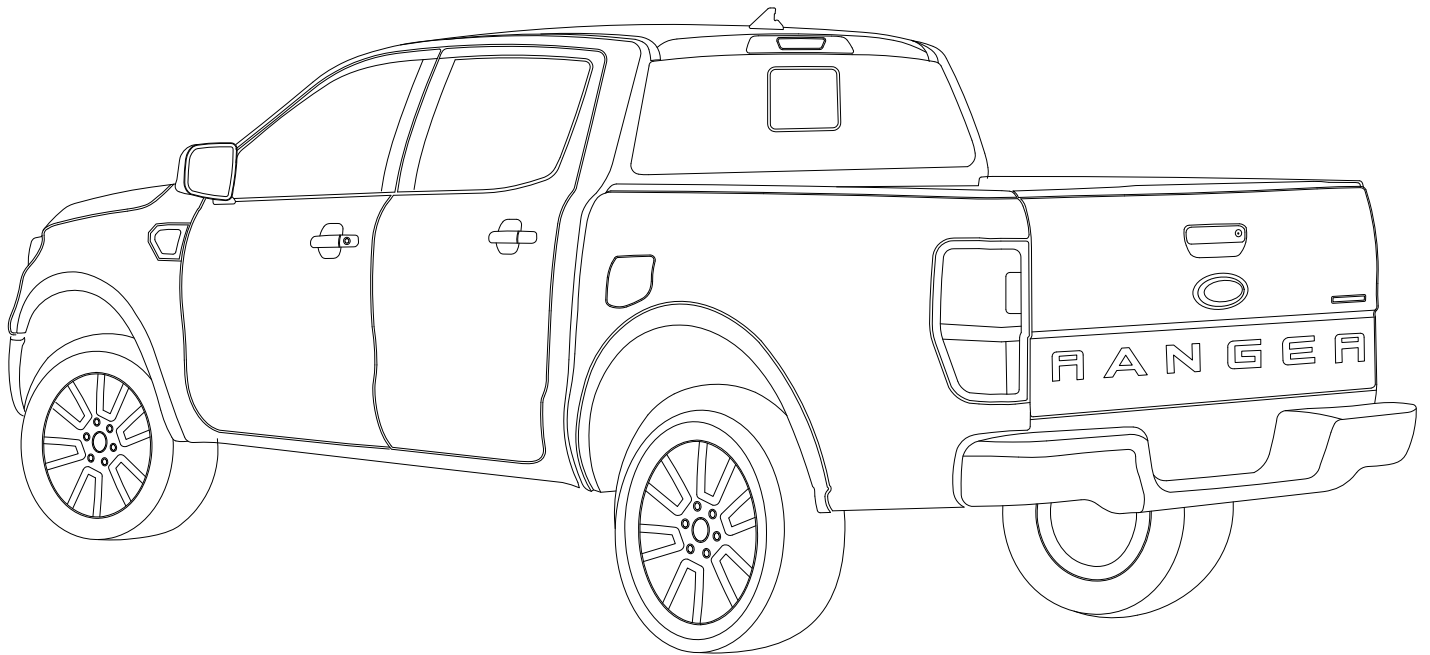




Installation Guide

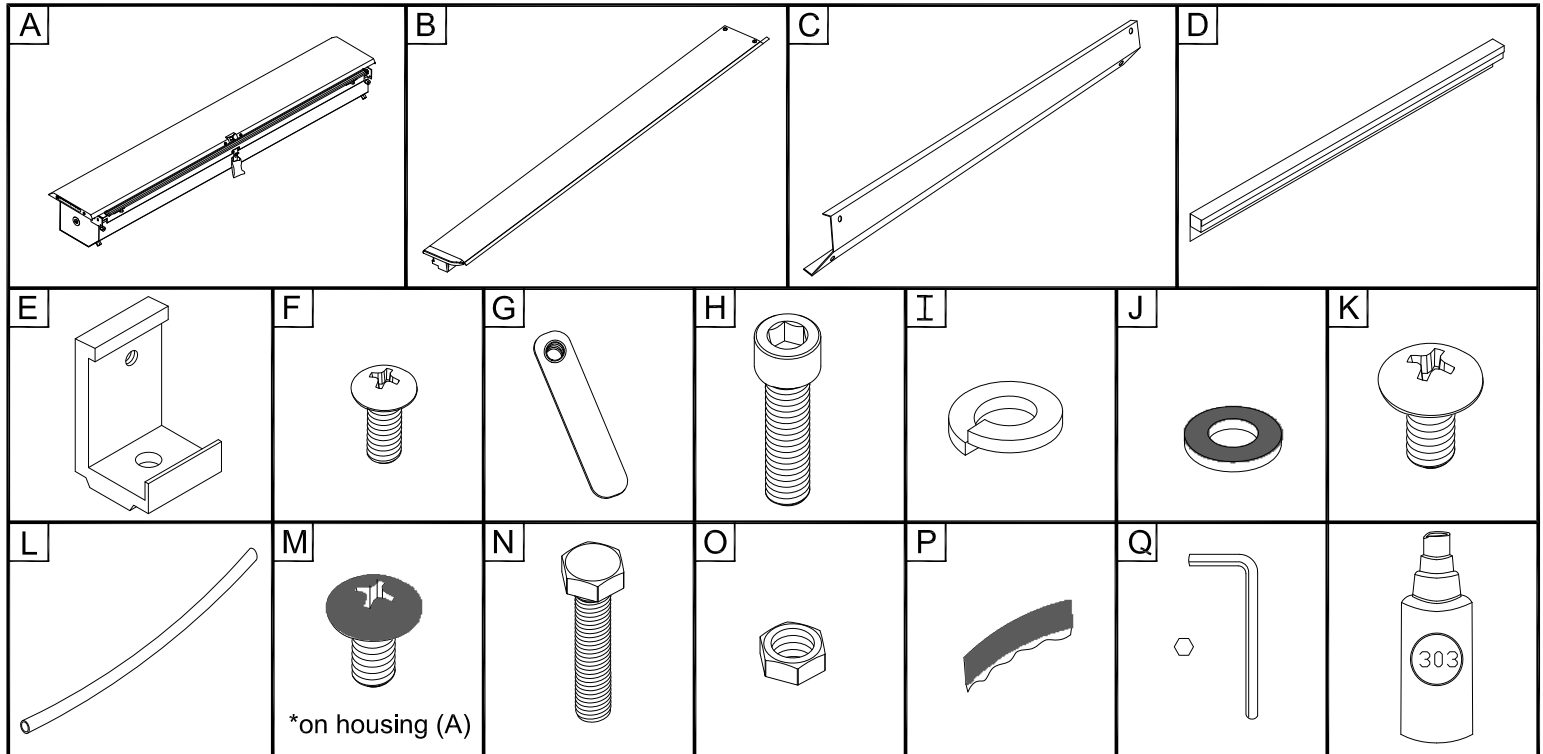
2019 Ford Ranger



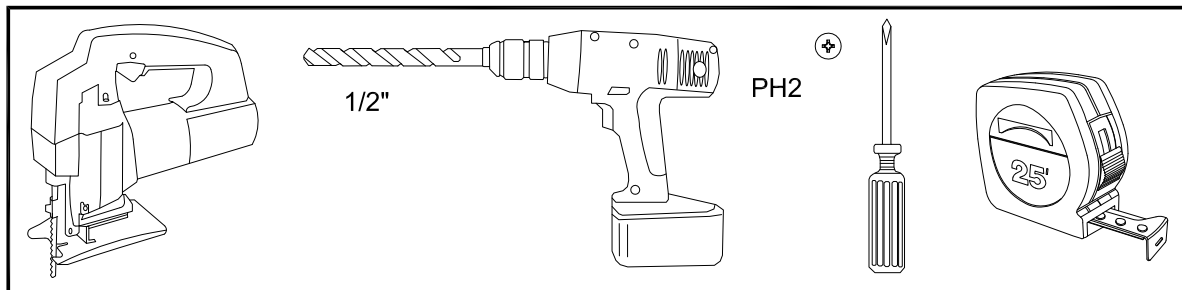
Product Code
122-123

Parts List

Item	Part Name	Qty.	Item	Part Name	Qty.	Item	Part Name	Qty.
A	Housing	1	G	Cargo Nut	2	M	1/4-20 Lid Screw	2
B	Track	2	H	5/16-18 x 1" Cap Screw	6	N	1/4-20 x 1" Screw	2
C	Cargo Shield/Track spacer	1	I	5/16 Lock Washer	6	O	1/4-20 Nut	2
D	Bulkhead Flashing	1	J	Black Rubber Washer	4	P	Butyl Caulk Strip	2
E	Bed Clamp	6	K	1/4-20 x 3/8" Screw	4	Q	Allen Wrench (1/4")	1
F	#10-24 Screw	2	L	Drain Tube	2		303 Vinyl Protector	1

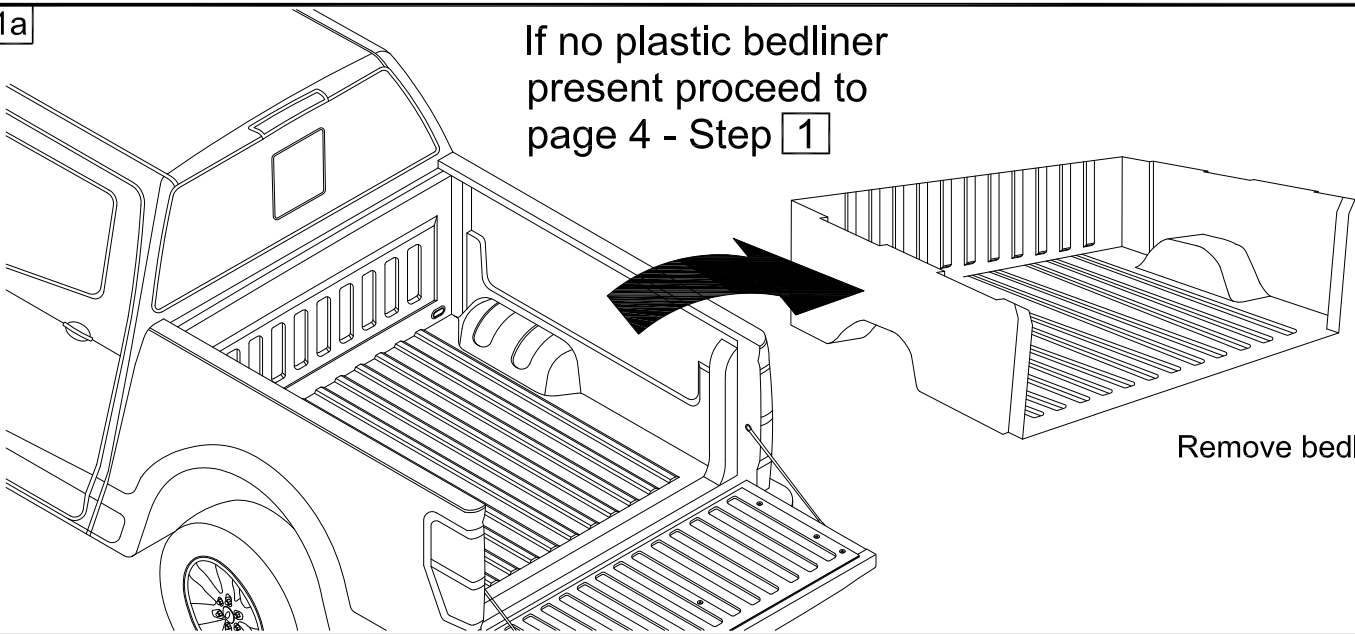


Tools Needed



1a

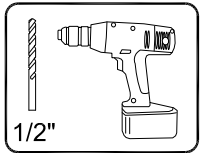
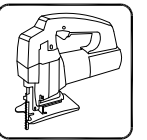
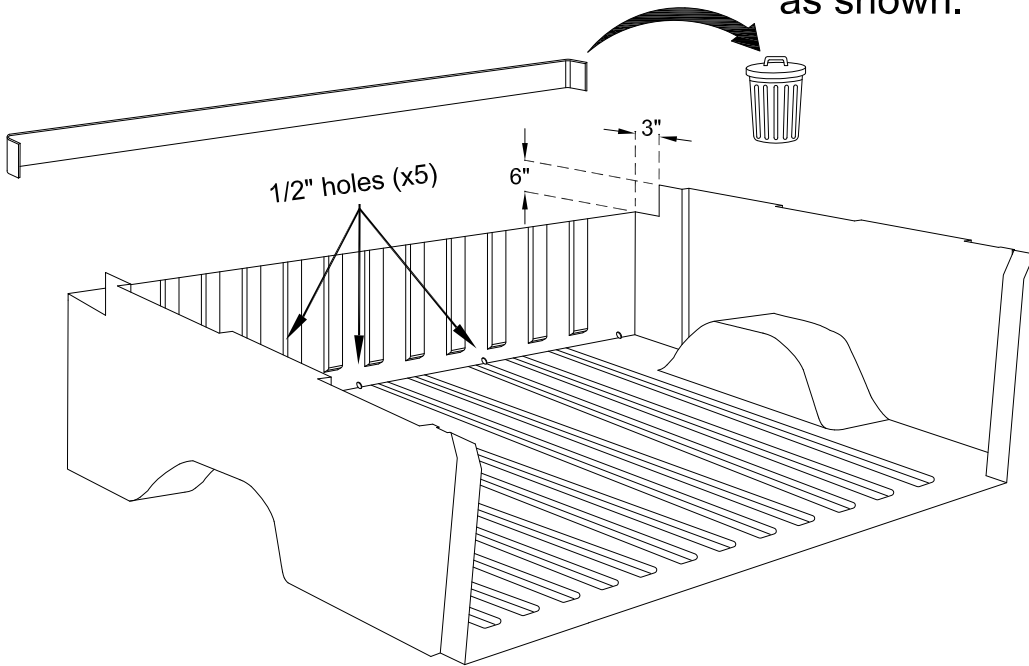
If no plastic bedliner present proceed to page 4 - Step 1



Remove bedliner

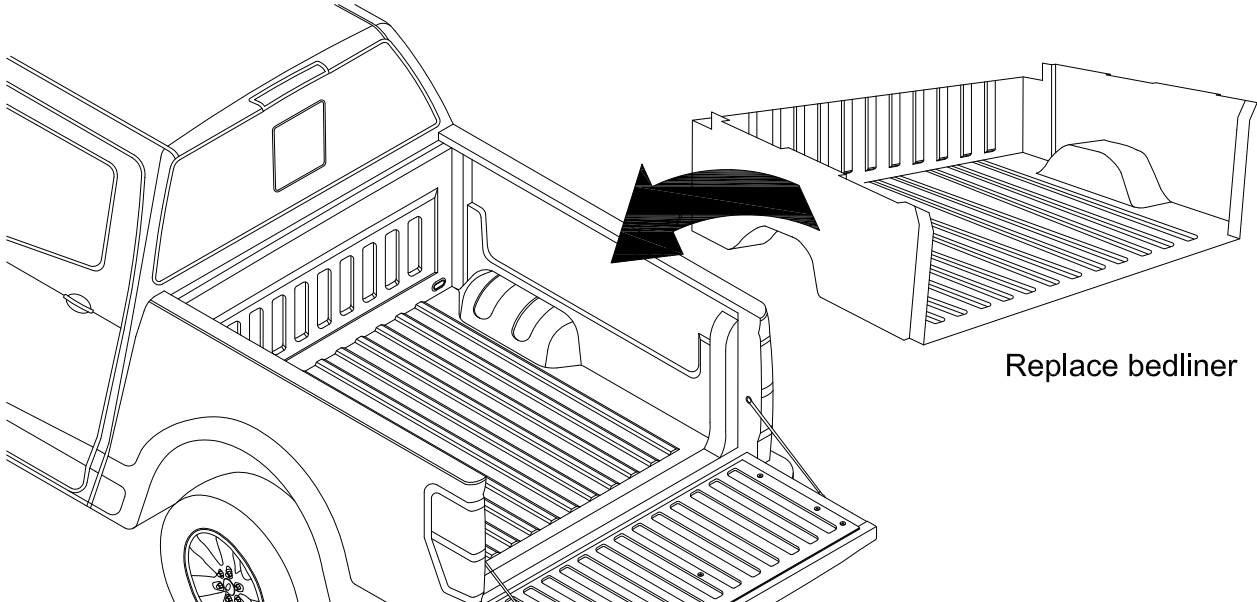
1b

Cut bedliner as shown.



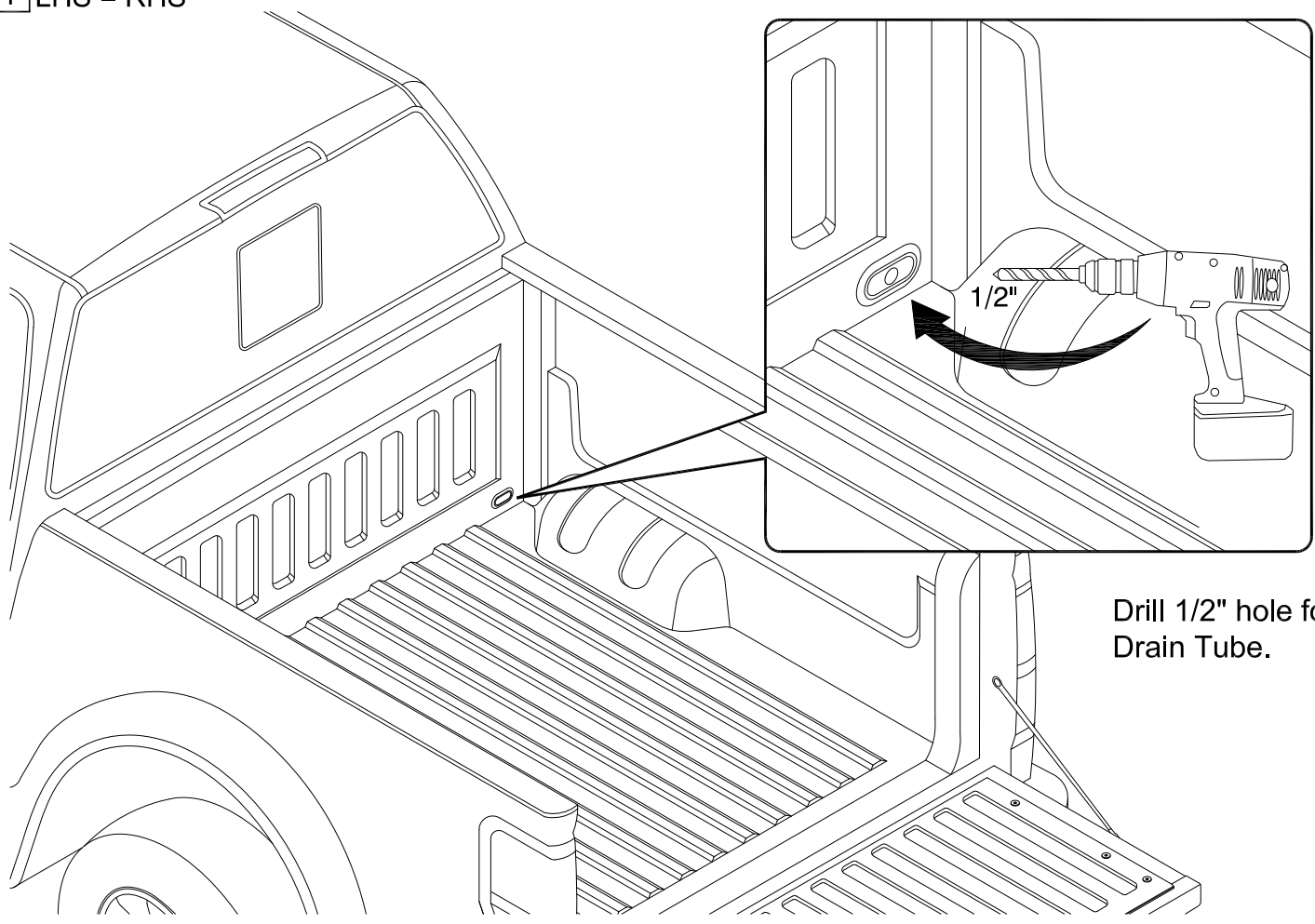
1/2"

1c



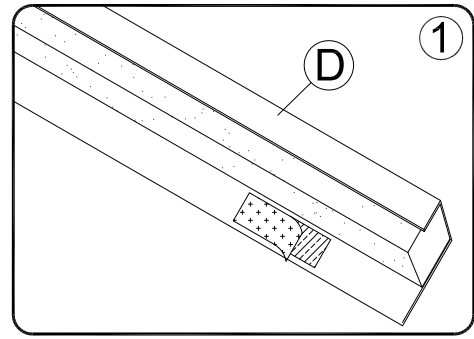
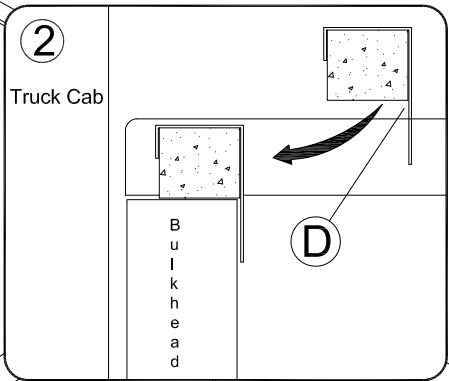
Replace bedliner

1 LHS = RHS

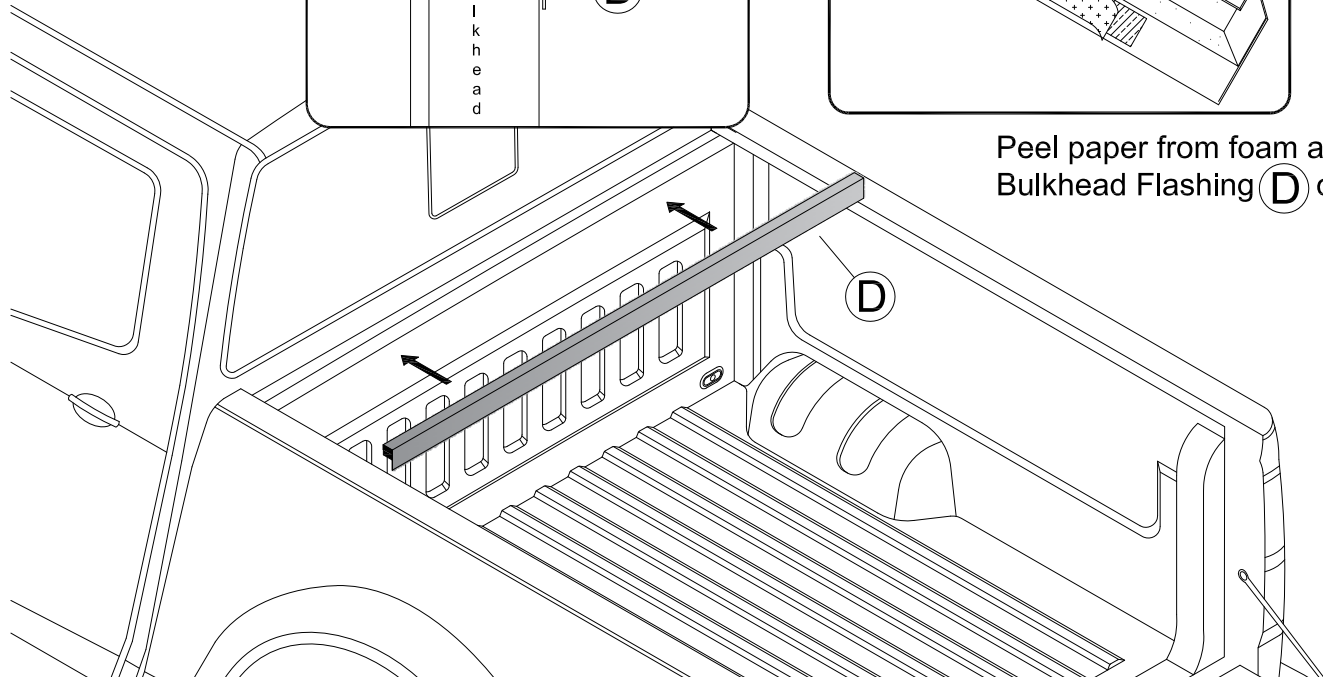


Drill 1/2" hole for
Drain Tube.

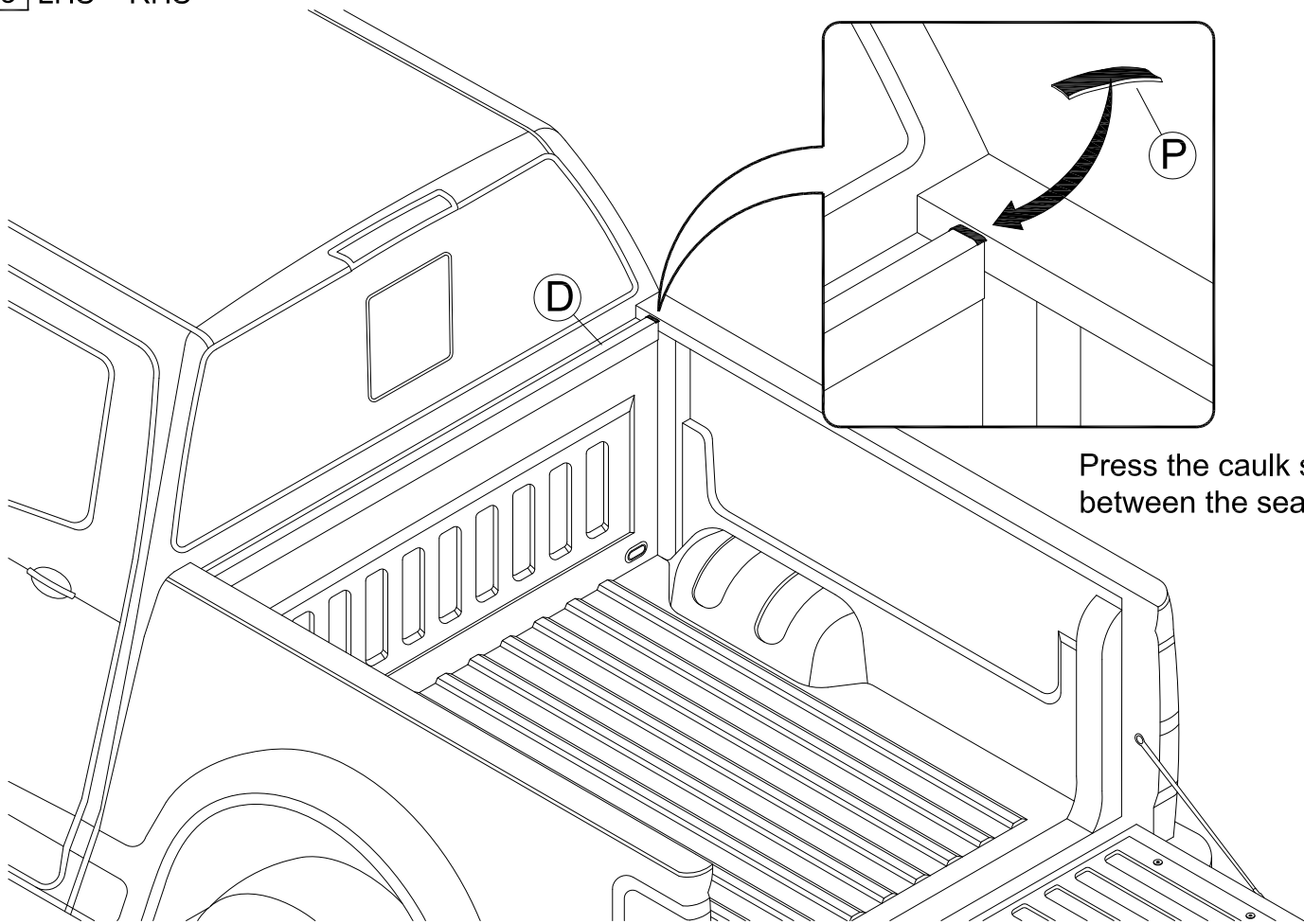
2



Peel paper from foam and stick
Bulkhead Flashing (D) onto bulkhead.

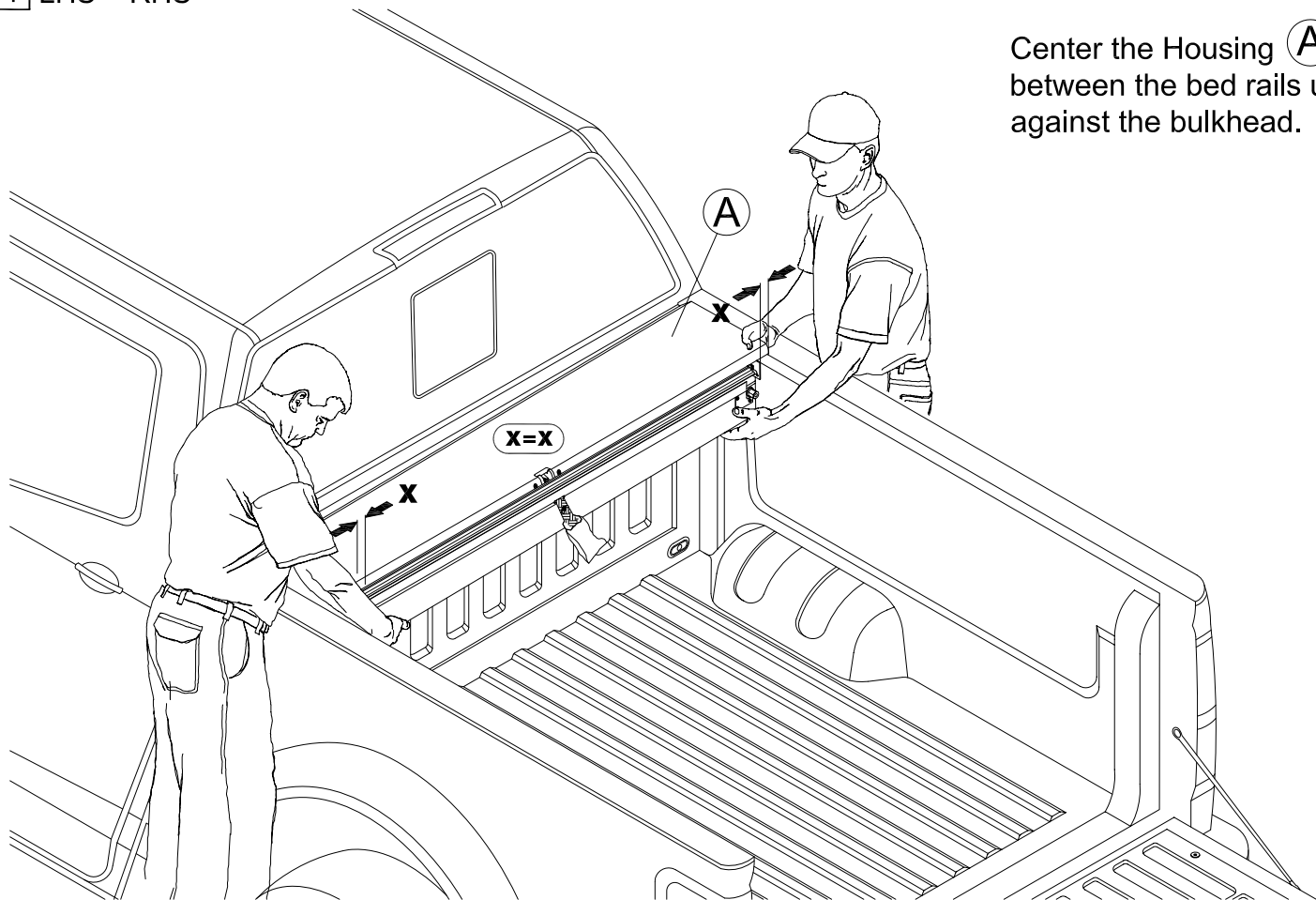


3 LHS = RHS



Press the caulk strip (P) between the seams.

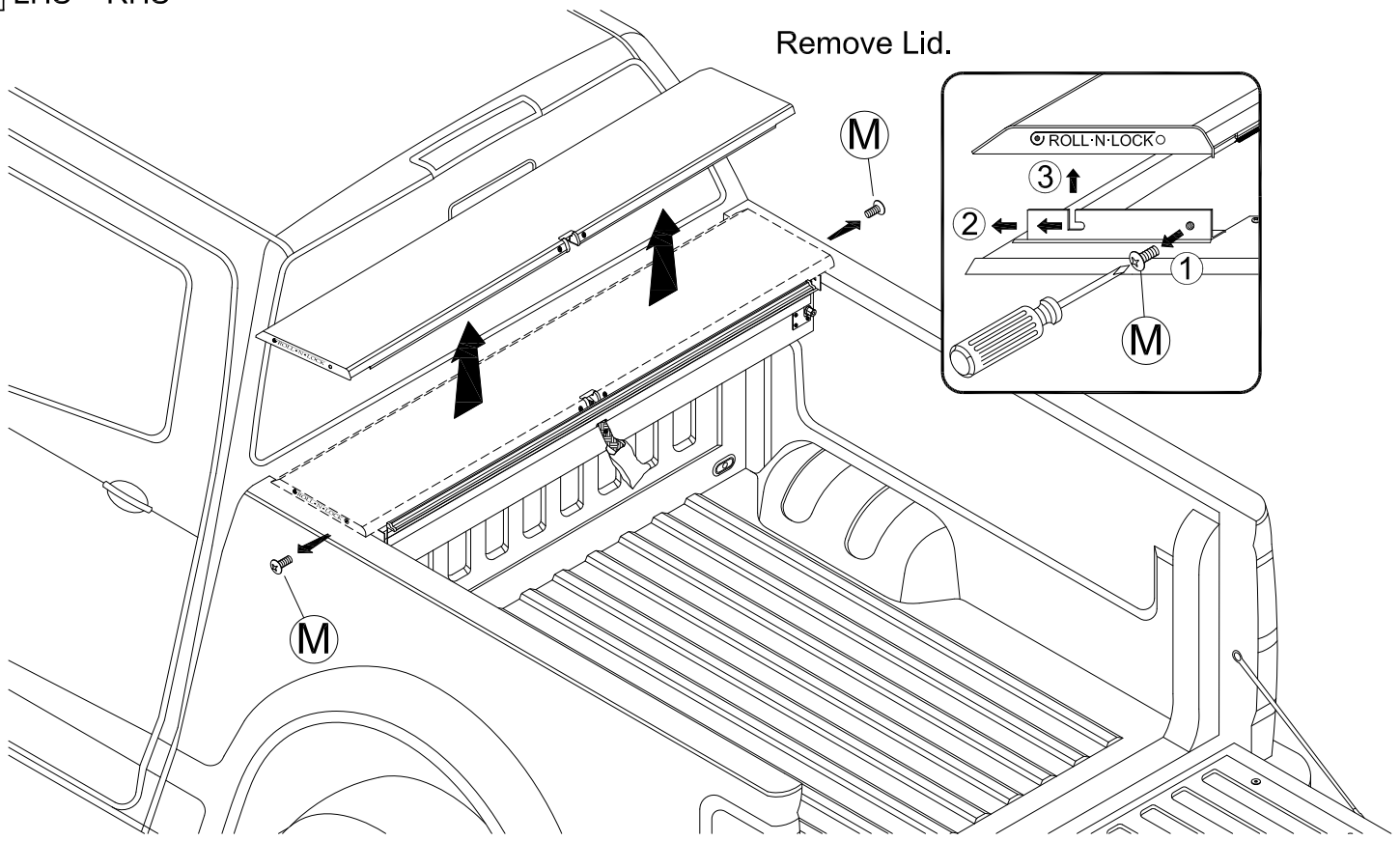
4 LHS = RHS



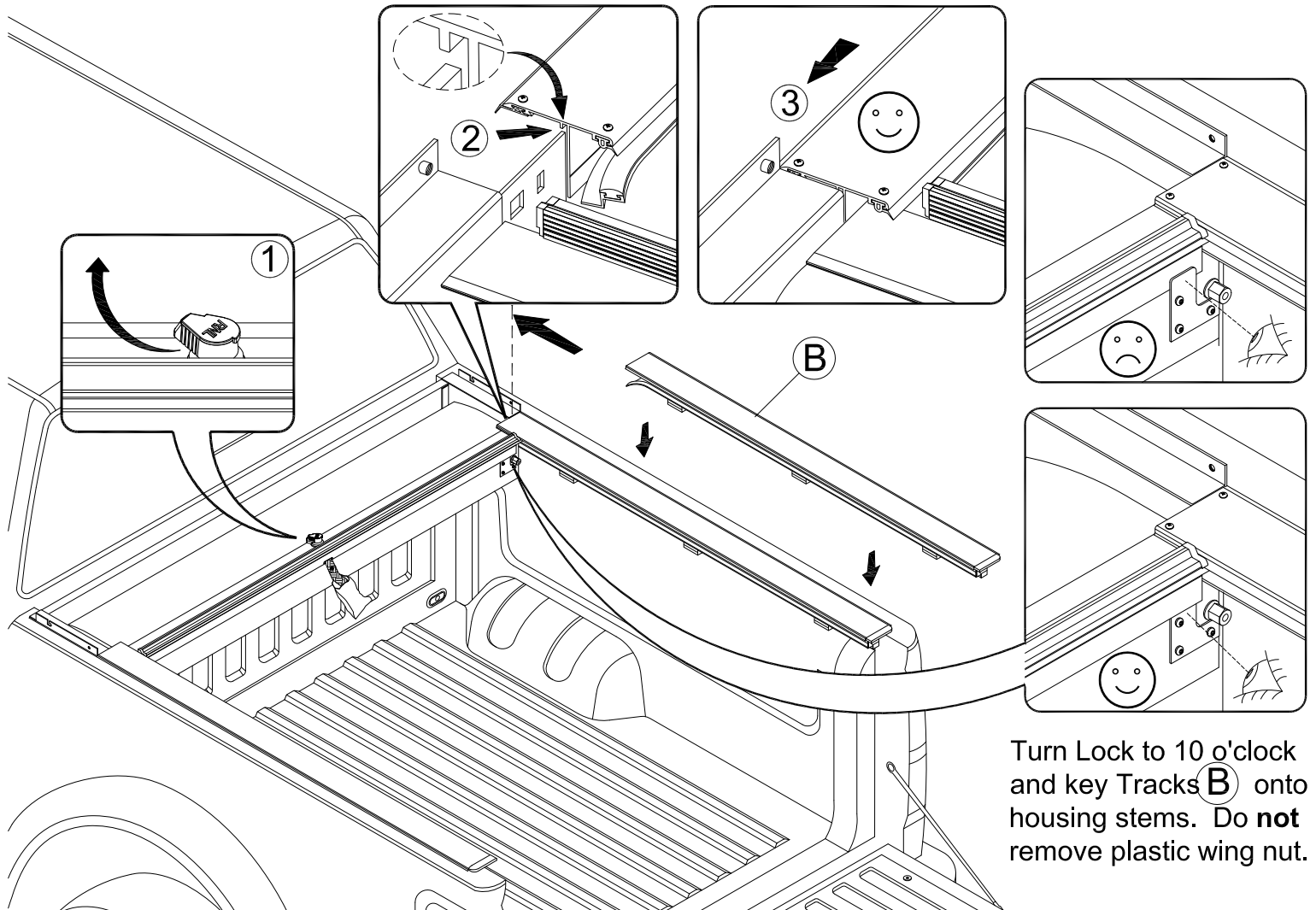
Center the Housing (A) between the bed rails up against the bulkhead.

5 LHS = RHS

Remove Lid.

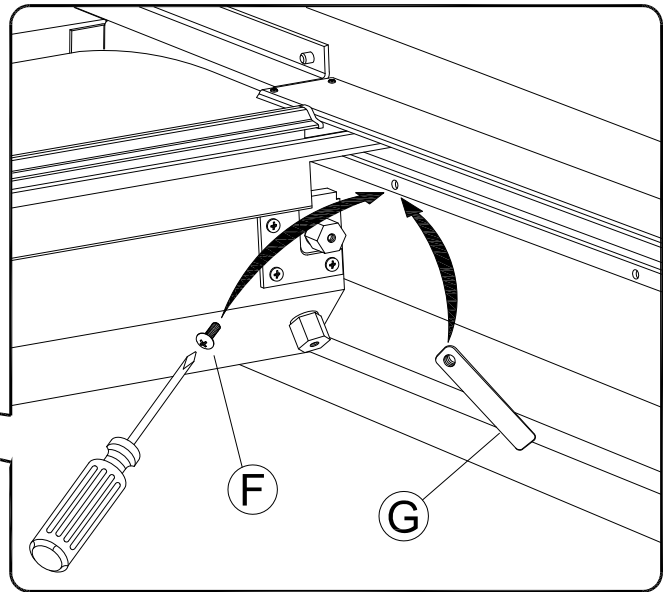
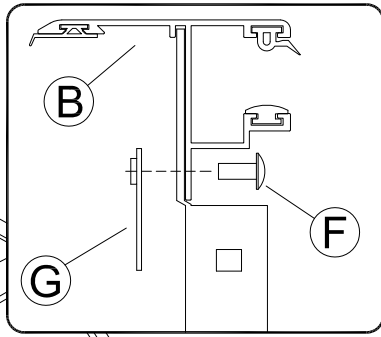


6 LHS = RHS



Turn Lock to 10 o'clock and key Tracks **B** onto housing stems. Do **not** remove plastic wing nut.

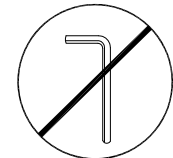
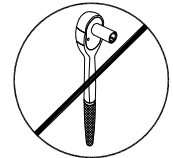
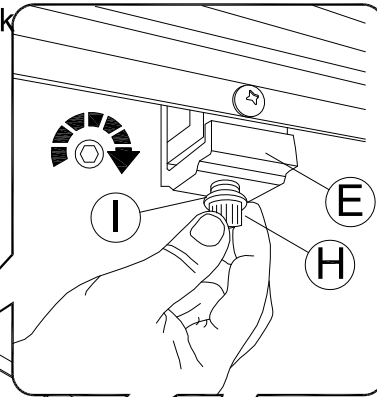
7 LHS = RHS



Secure Tracks to housing stems.

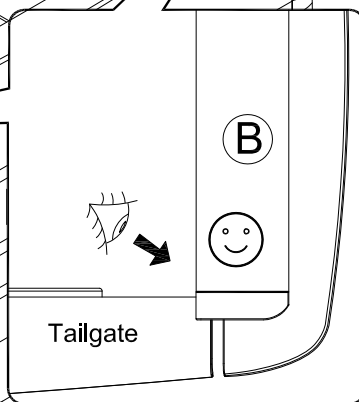
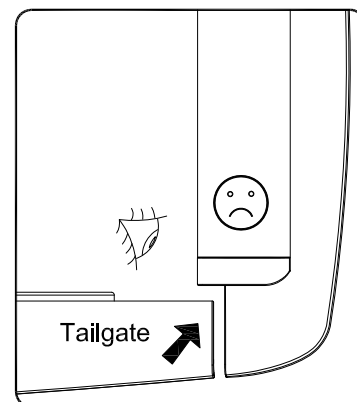
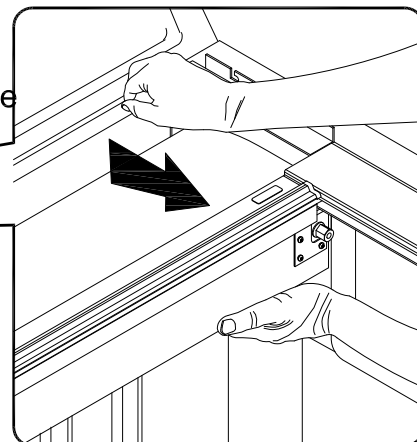
8 LHS = RHS

Loosely attach the Bed Clamps (E) to the Track Clamps.

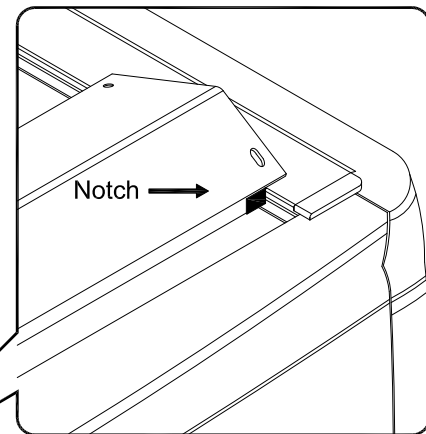
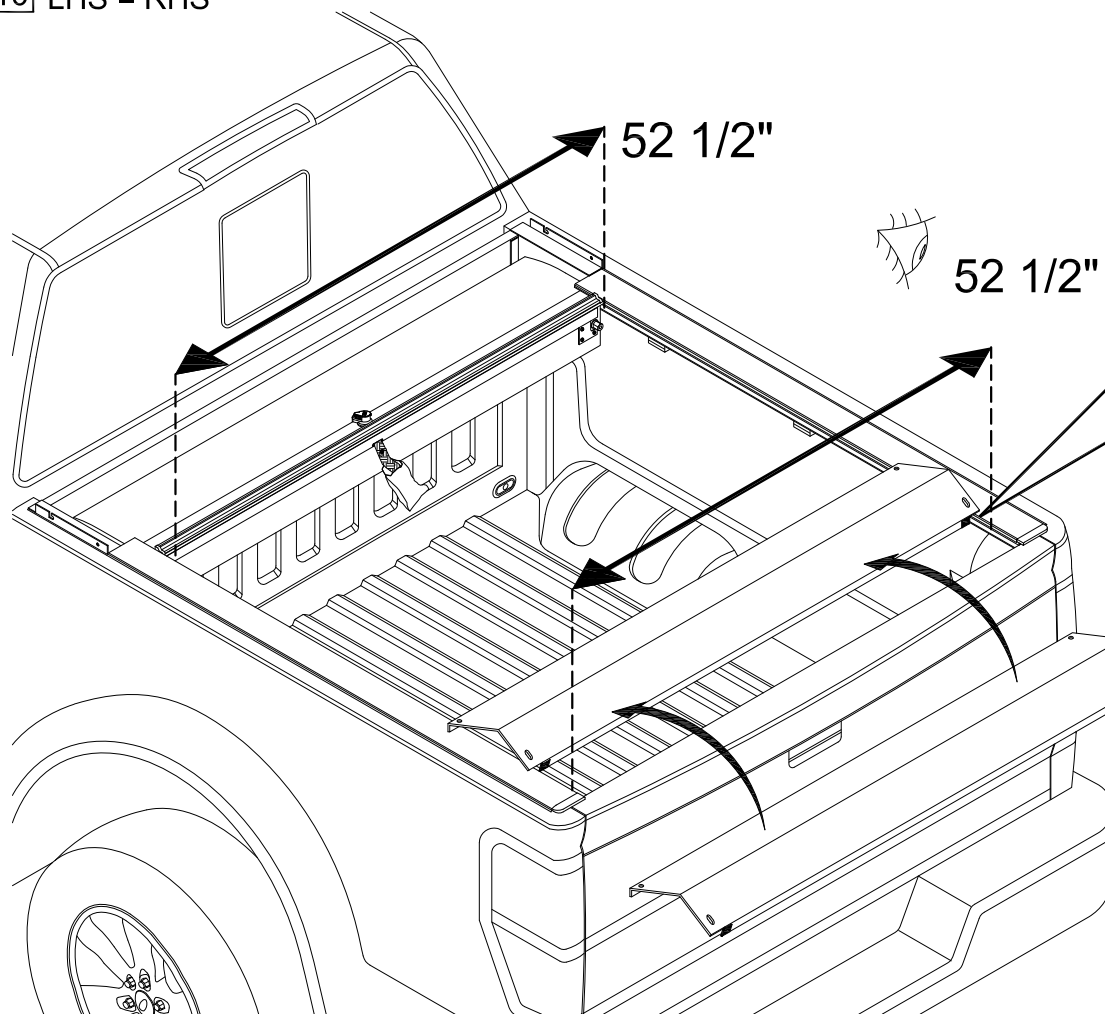


9 LHS = RHS

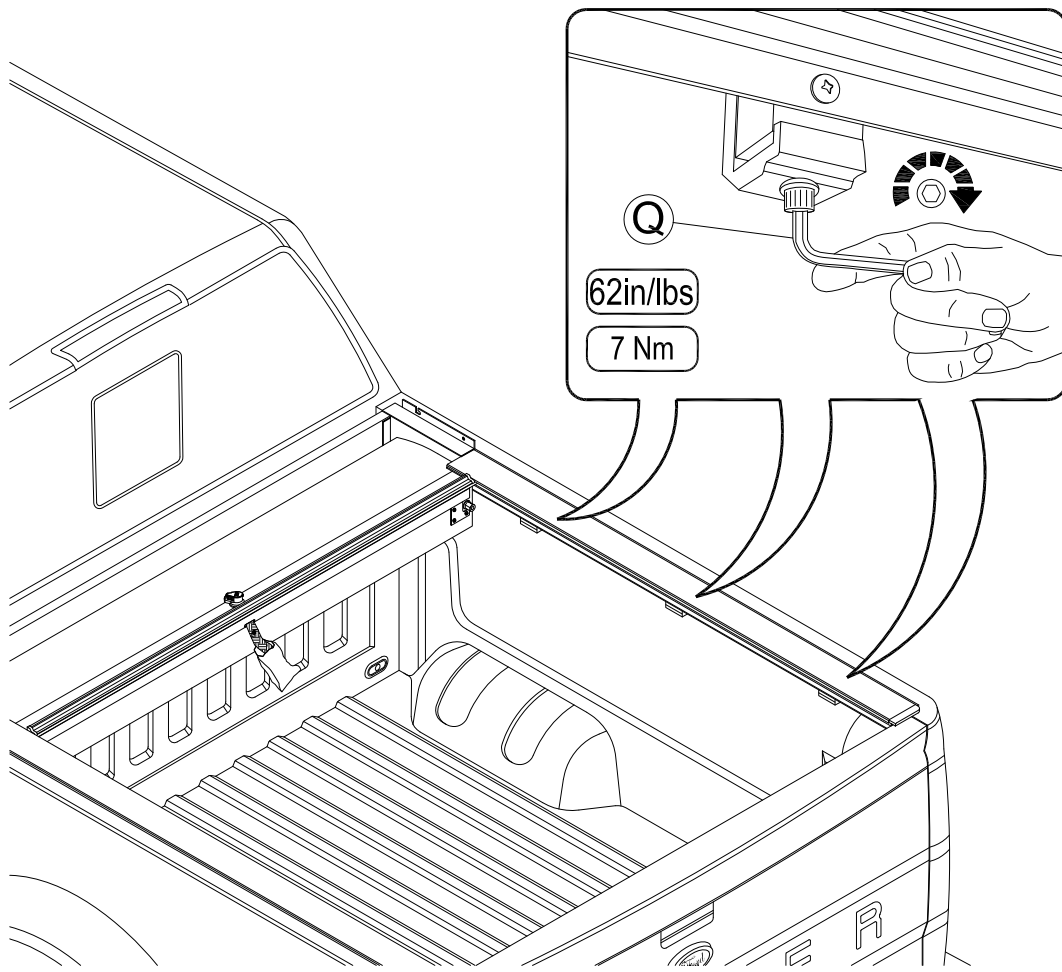
Close tailgate, shift the Housing back so the end of the Tracks are up against the tailgate.



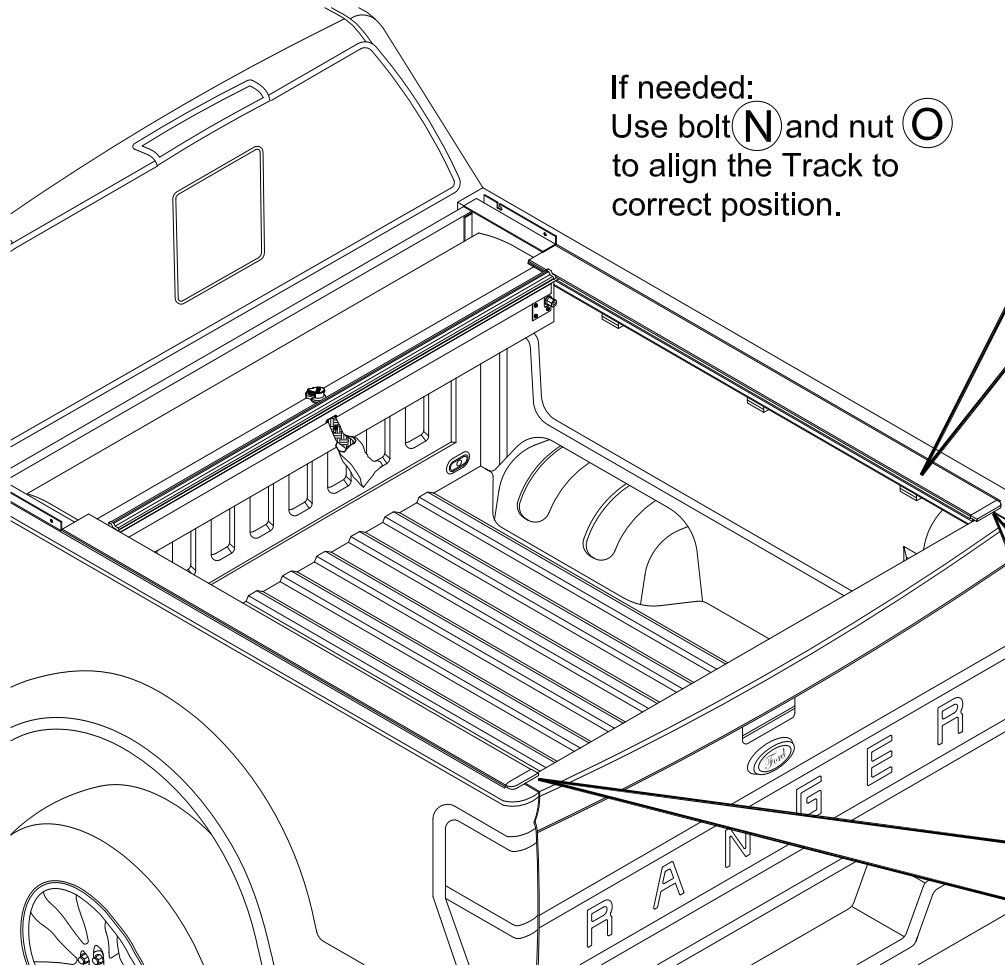
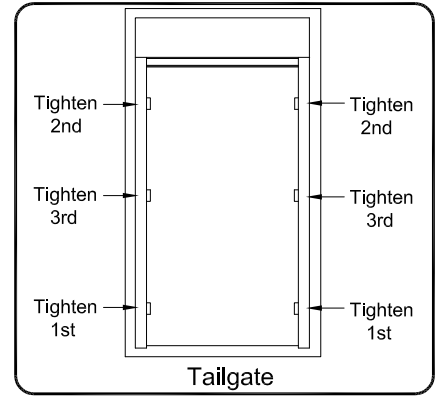
10 LHS = RHS



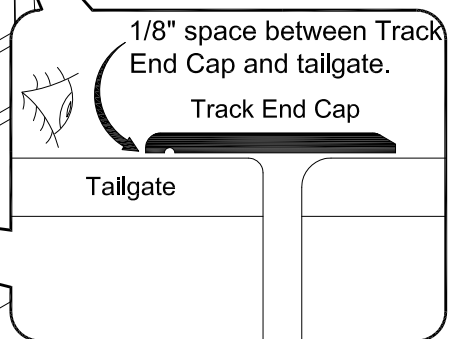
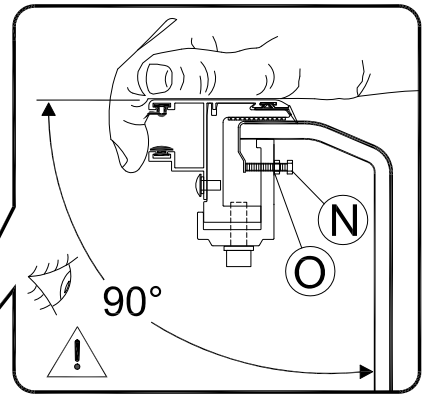
Use Cargo Shield notches to ensure correct spacing of Tracks.



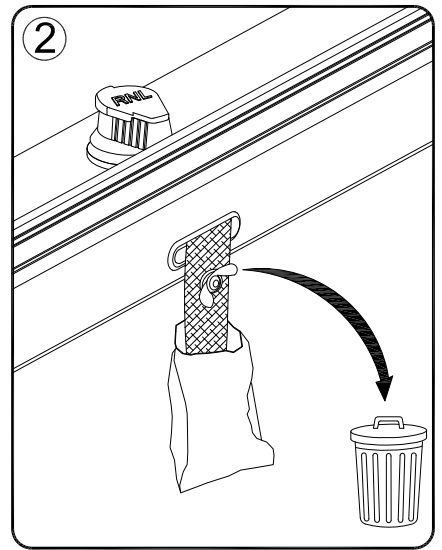
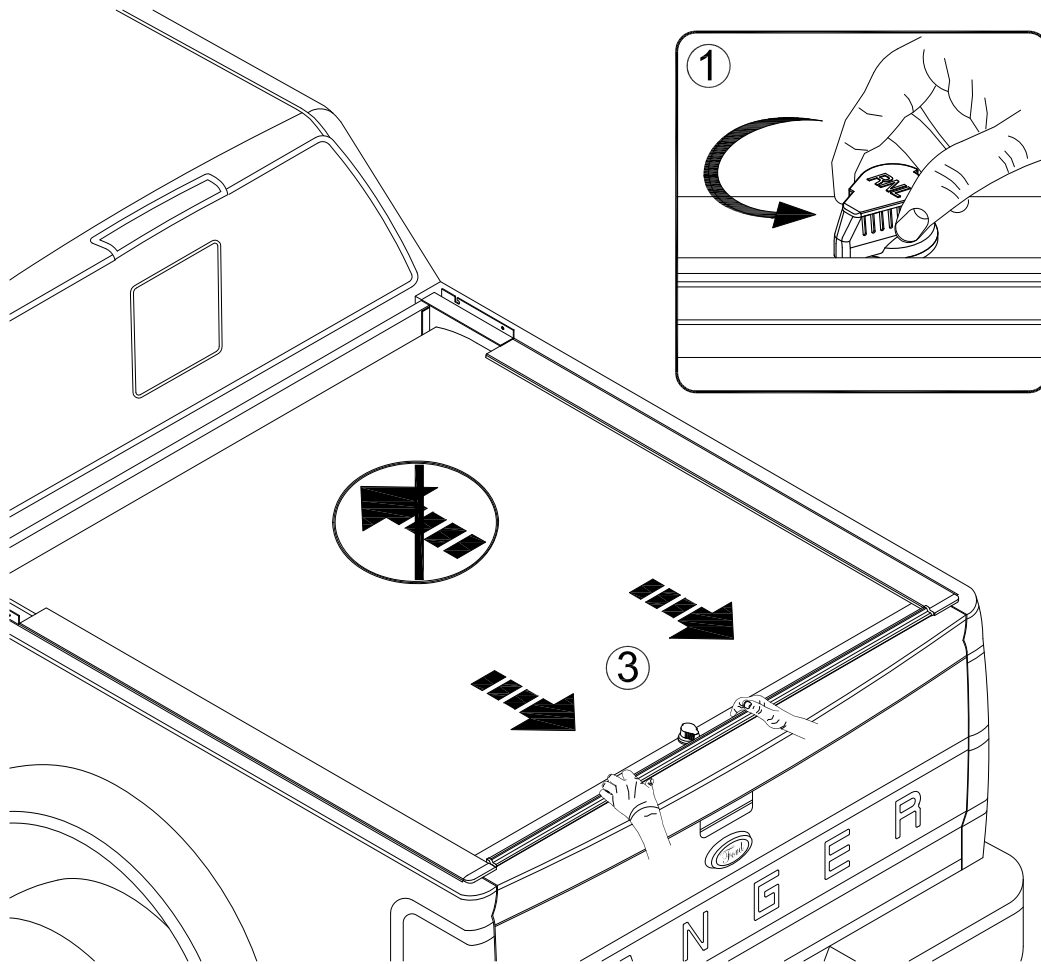
Tighten Bed Clamps to the Track Clamps.



If needed:
Use bolt **N** and nut **O**
to align the Track to
correct position.

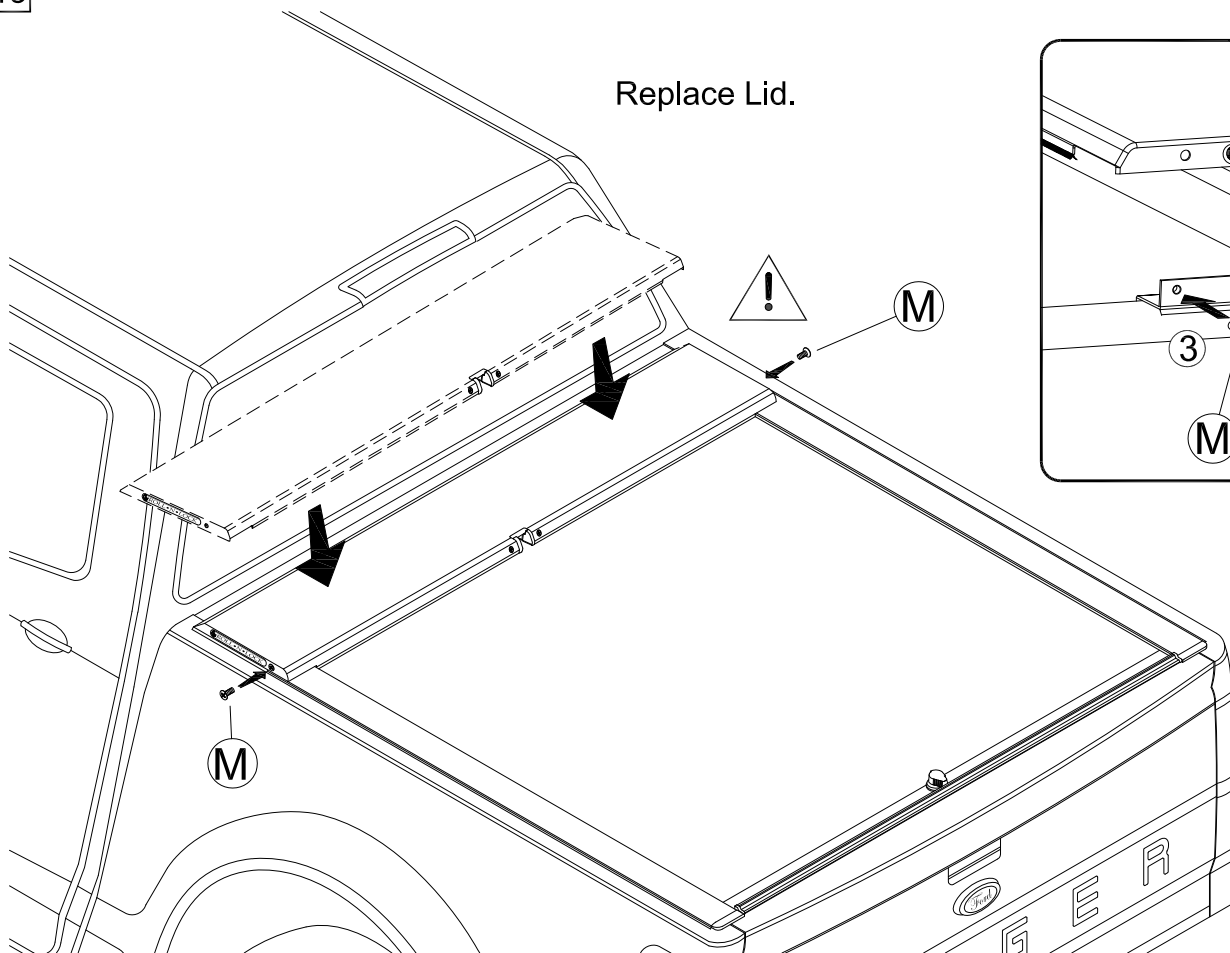


12

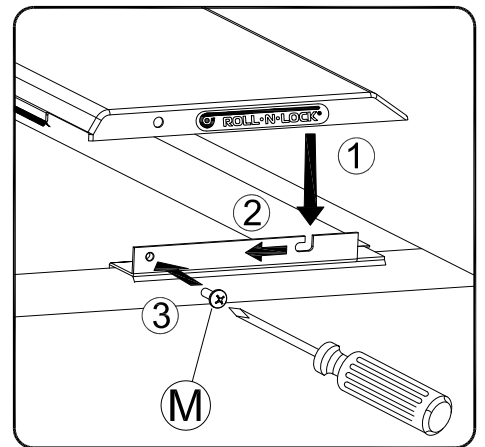


Turn Lock to 7 o'clock, remove plastic wing nut and using both hands pull Cover back to tailgate.

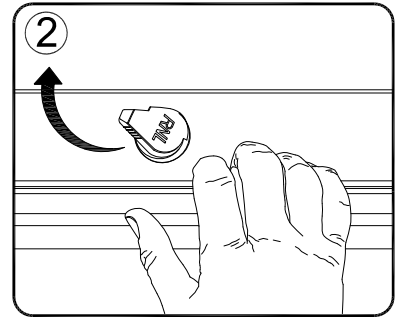
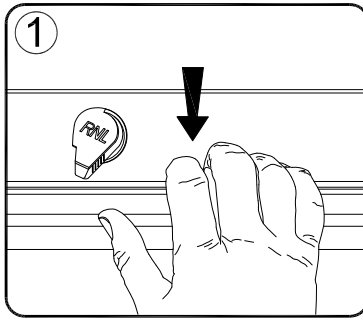
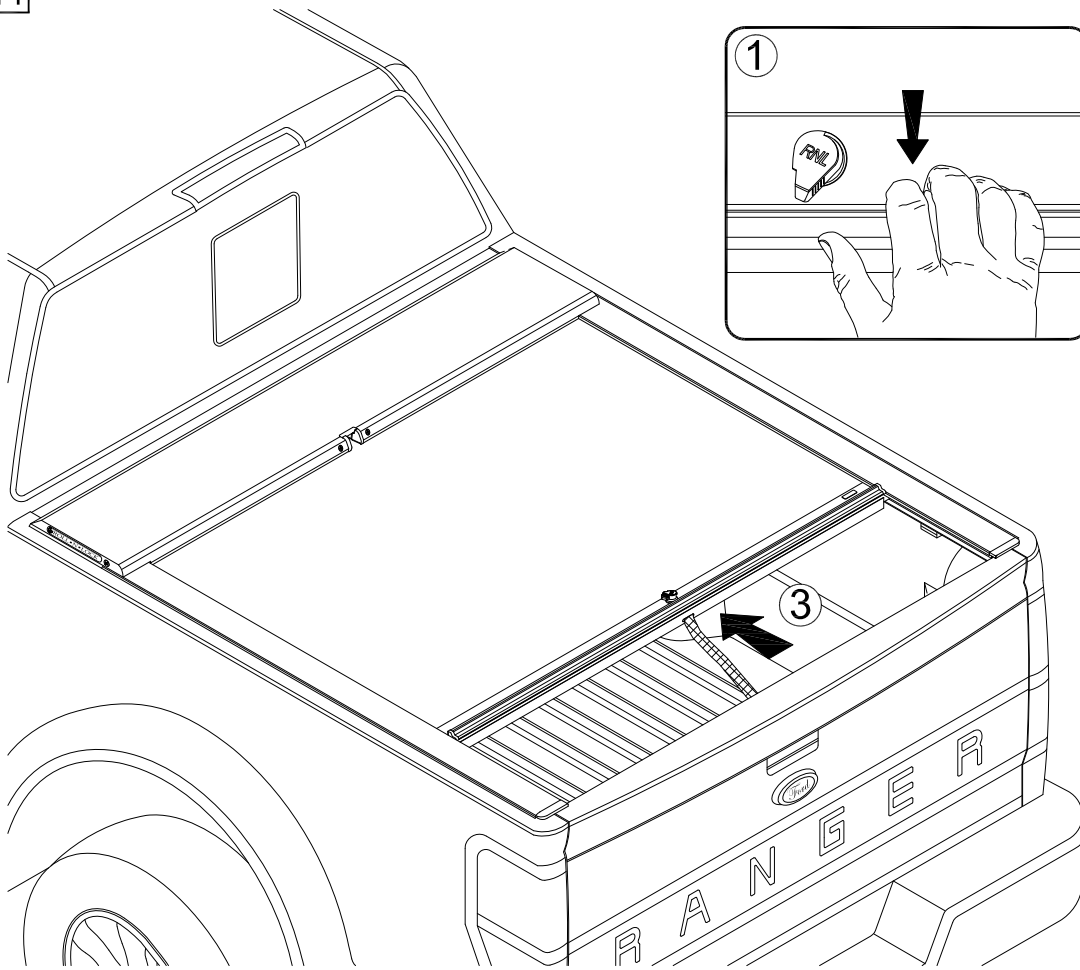
13



Replace Lid.



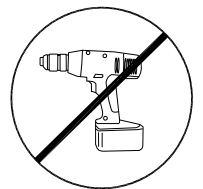
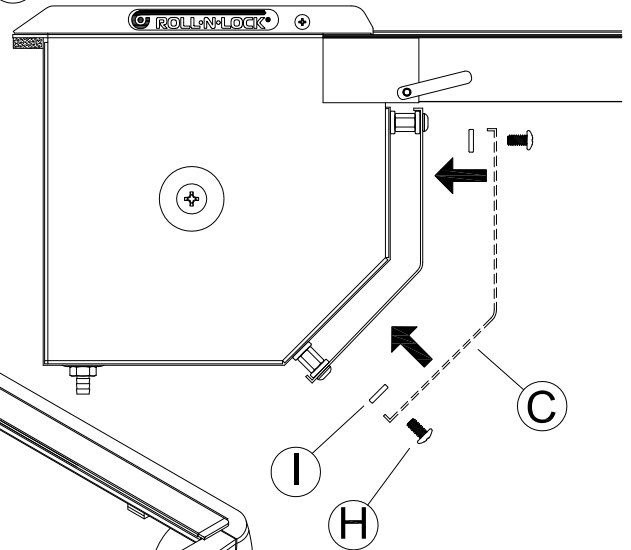
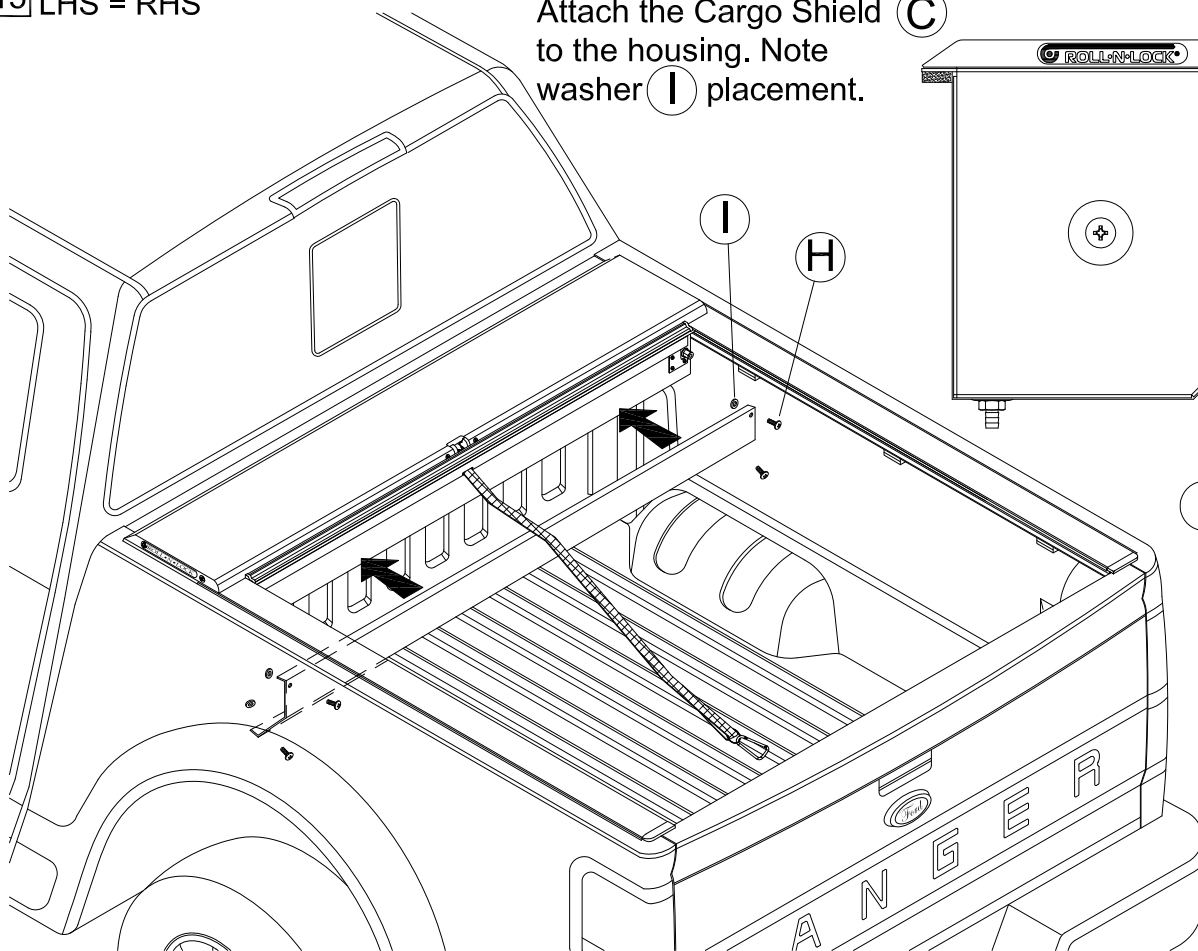
14



To open cover pull back on the handle, turn the Lock to 10 o'clock and let the Cover retract into the Housing while holding onto the Pull-strap.

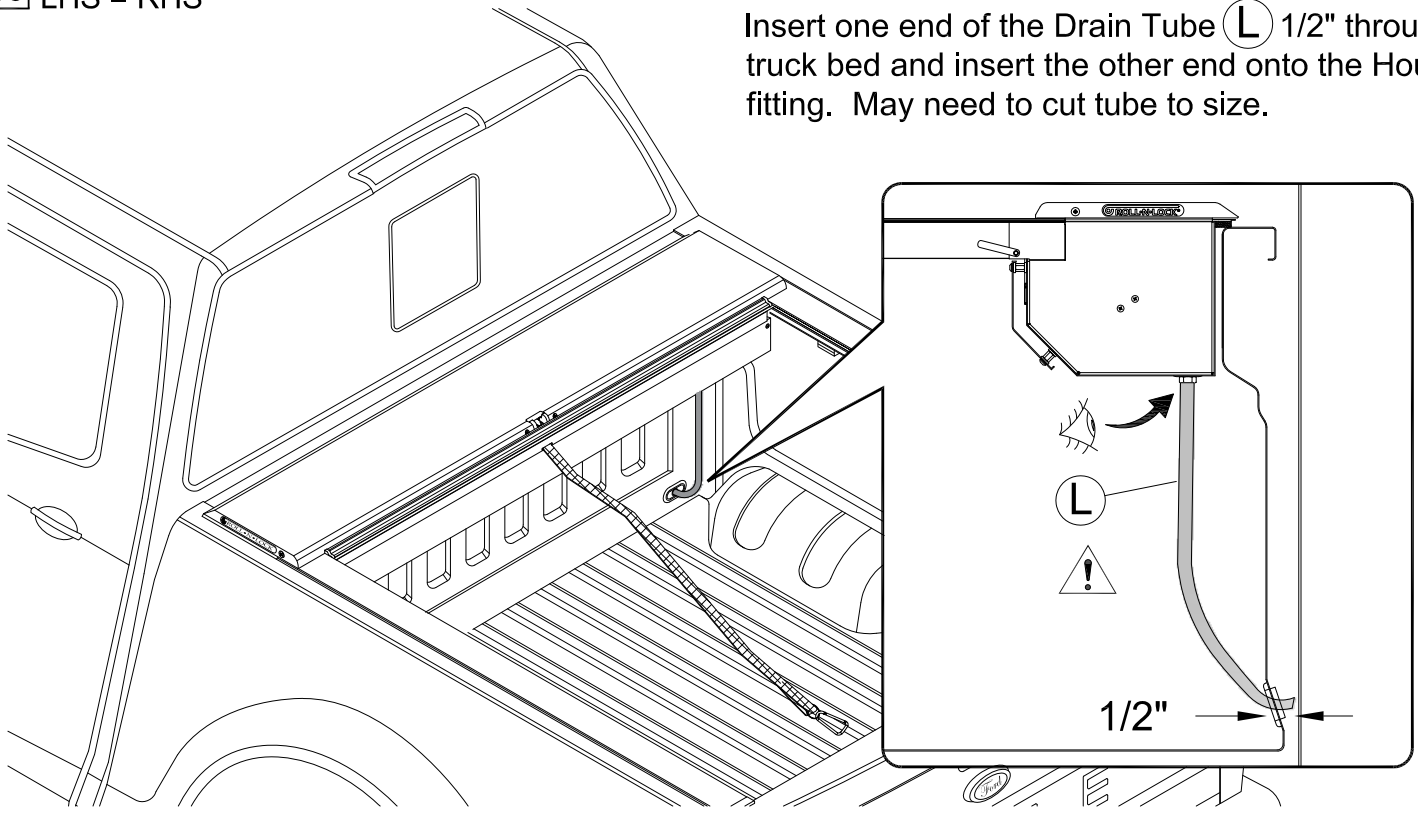
15 LHS = RHS

Attach the Cargo Shield (C) to the housing. Note washer (I) placement.



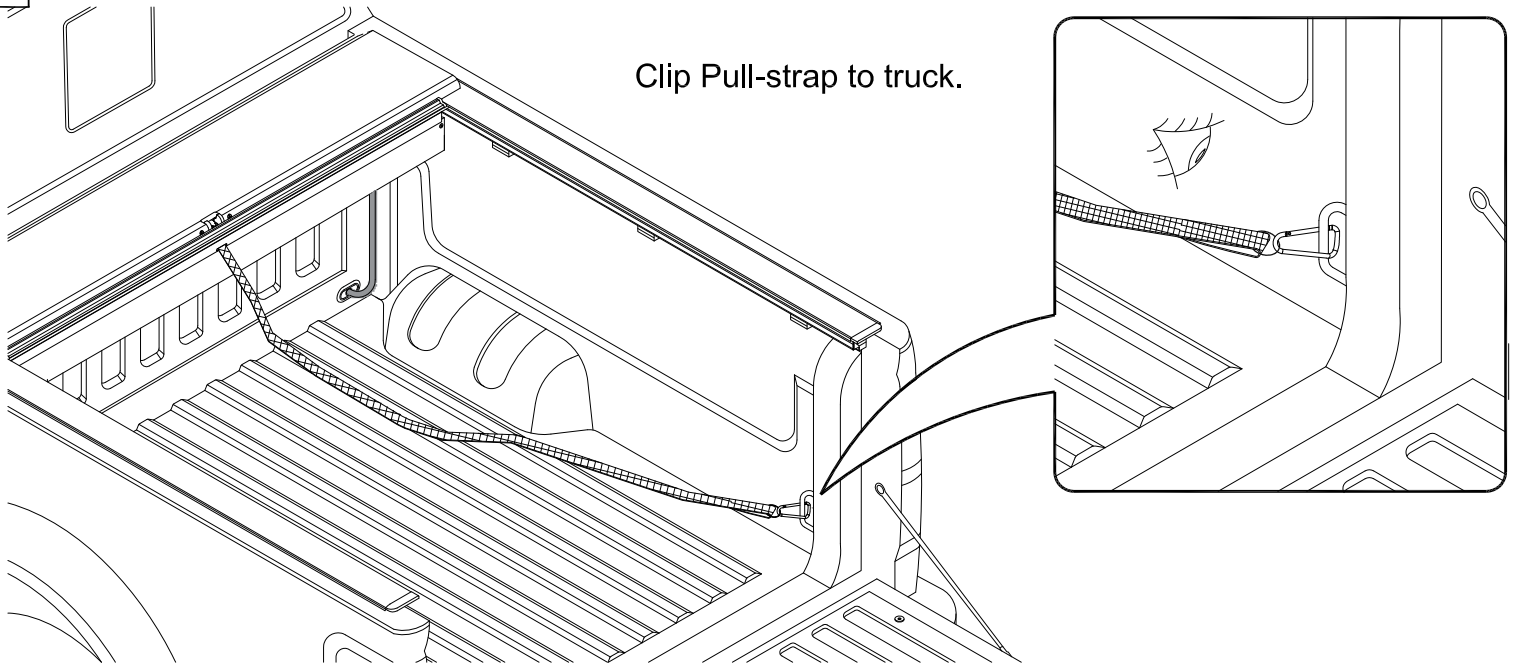
16 LHS = RHS

Insert one end of the Drain Tube (L) 1/2" through the truck bed and insert the other end onto the Housing fitting. May need to cut tube to size.



17

Clip Pull-strap to truck.



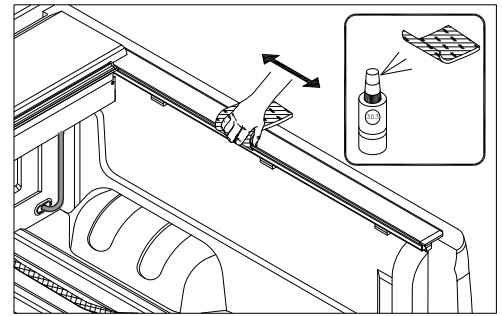
Any questions please call Customer Service at 800-952-7655
or email customerservice@rollnlock.com

TROUBLESHOOTING

Cover is hard to pull or retract.



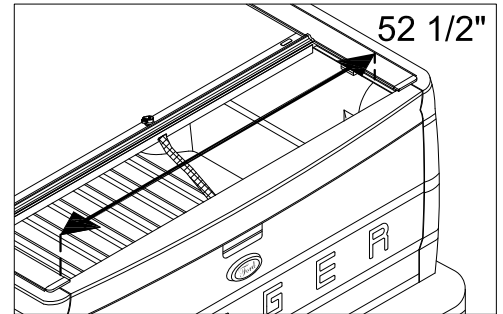
Spray 303[®] on a rag and wipe the top gasket in the Track back and forth.



Cover does not latch.



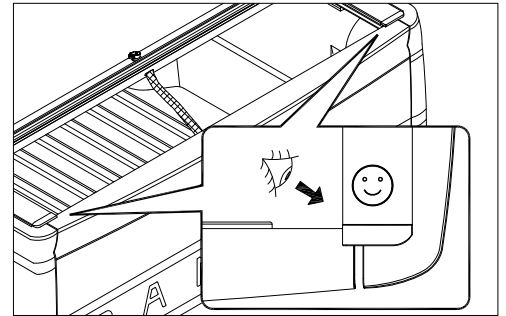
Check Track to Track measurement.



Cover does not latch.



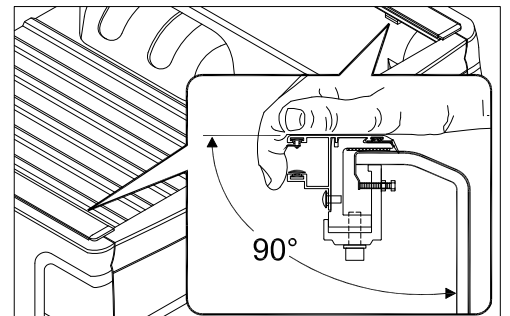
Make sure Tracks are back against tailgate.



Track tips up.



Use angularity bolt to level Track.



Any questions please call Customer Service at 800-952-7655
or email customerservice@rollnlock.com