



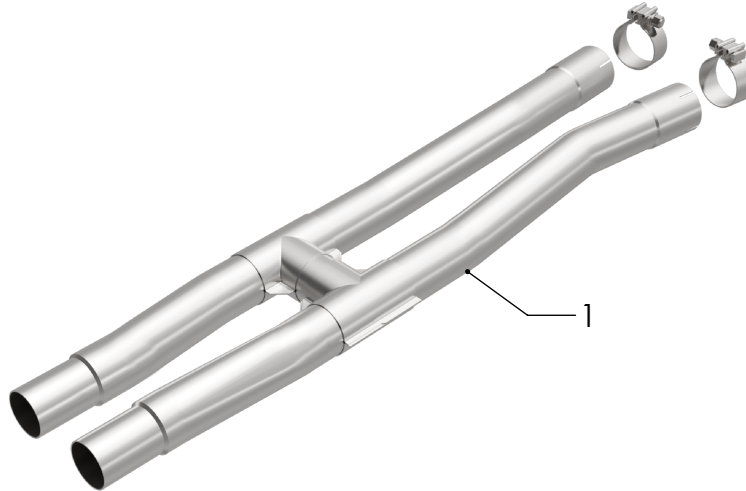
INSTALLATION INSTRUCTIONS



FORD MUSTANG 5.0L

PART NO. 19644

BILL OF MATERIALS:



1. H-PIPE ASSY.

SHOP SUPPLIES:

HARDWARE KIT:

1. [2] 2.50' Clamp



WEAR SAFETY GLASSES



READ INSTRUCTIONS THOROUGHLY BEFORE INSTALLING PRODUCT



SPRAY LUBRICANT

To ease removal of existing exhaust components (especially on older vehicles) spray penetrating lubricant on all fasteners and hangers/insulators that will be loosened or removed and let soak before disassembly.

MINIMUM REQUIRED TOOLS:



Saw (Or Other Cutting Tool)



13,15 mm



Hanger Tool (Or Pry Bar)

MAGNAFLOW RECOMMENDS PROFESSIONAL INSTALLATION ON ALL THEIR PRODUCTS



WARNING: When working on, under, or around any vehicle exercise caution. Please allow the vehicle's exhaust system to cool before removal, as exhaust system temperatures may cause severe burns. If working without a lift always consult vehicle manual for correct lifting specifications. Always wear safety glasses and ensure a safe work area. Serious injury or death could occur if safety measures are not followed.

ATTENTION: Always install any supplied band or U-bolt clamps to the proper torque specifications of 40-45 ft-lb for band clamps and 30-35 ft-lb for U-bolt clamps. Over tightening will result in the clamps breaking and will NOT be warranted by MagnaFlow.

MAGNAFLOW: 1901 Corporate Centre Dr - Oceanside, CA 92056 | 1(800)990-0905

Technical Support: 1(800) 959-9226 | Email: moreinfo@magnaflow.com

INSTALLATION INSTRUCTIONS



Step 1. With the OE system still on the vehicle cut both outlet pipes at 8.5" from the rear edge (as shown) of the Resonator.

Step 2. Once cut you can remove the Resonator and clean/deburr the OE pipes. Do not damage or discard the OE clamps as they will be re-used.

Step 3. Begin installing the H-Pipe assembly by sliding the outlets onto the cut OE pipes (place supplied clamps loosley on the H-pipe before installing) and fastening the supplied and OE clamps loosley into place.

Step 4. Once a final position has been chosen for the new H-Pipe, evenly tighten all clamps from front to rear, using the torque specifications on page one of the instructions. Inspect all fasteners after 25-50 miles of operation and re-tighten if necessary