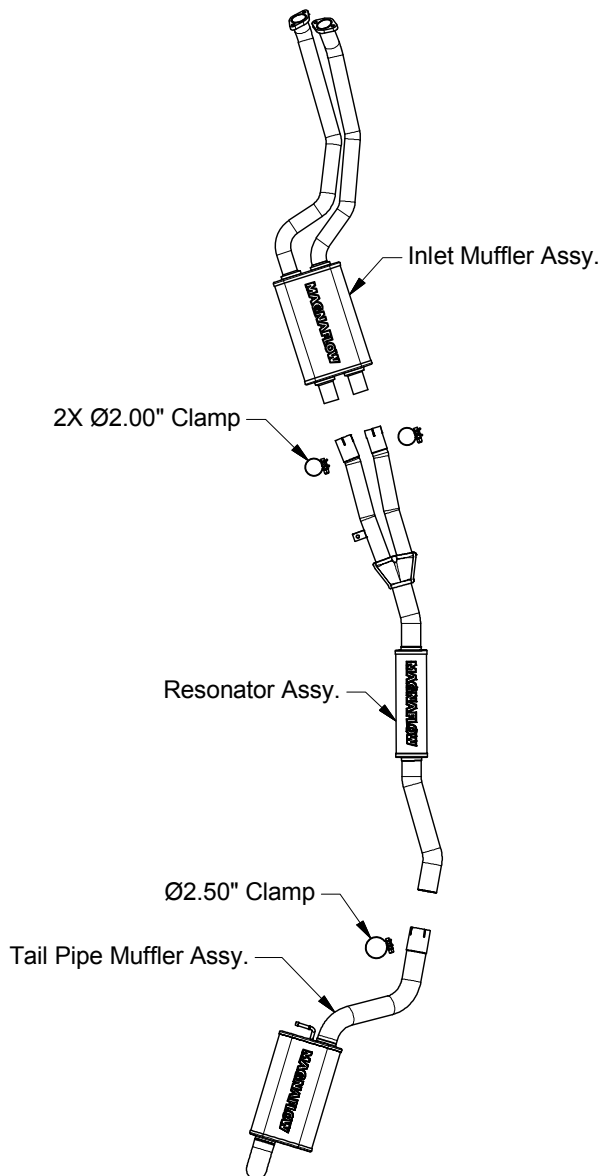


2001 - 2003 BMW 530i 3.0L



Warning: When working on, under, or around any vehicle exercise caution. Please allow the vehicle's exhaust system to cool before removal, as exhaust system temperatures may cause severe burns. If working without a lift, always consult vehicle manual for correct lifting specifications. Always wear safety glasses and ensure a safe work area. Serious injury or death could occur if safety measures are not followed.

Step 1: (Carefully read all instructions before installation) Remove the OEM exhaust system by first unbolting both inlet flanges behind the catalytic converters. Disengage the hangers from the rubber isolators. Be sure to retain all existing mounting hardware as it will be needed to install your new MAGNAFLOW performance exhaust system.

Step 2: Begin the installation process by first laying out all the components of the new system to check orientation and content. First bolt the Inlet flanges of the inlet Muffler Sub Assembly to the outlet of the catalytic converters. Slip the inlet pipes of the resonator assembly over the outlet pipes on the inlet muffler assembly, loosely secure with the supplied clamps. Slip the inlet pipe of the tail pipe muffler assembly over the outlet of the resonator assembly. Loosely secure using the supplied clamp. Locate hangers to the rubber isolators.

Step 3: With all components mounted loosely, adjust the system for overall aesthetics and clearance of frame & bodywork. (MAGNAFLOW recommends at least 1/2" of clearance between the exhaust system and any body panels to prevent heat-related body damage or fire.)

Step 4: Once a final position has been chosen for the new system, evenly tighten all fasteners from front to rear. The supplied band clamps must be VERY tight to properly align the pipes and prevent leaks (Approximately 65ft-lbs). U-bolt clamps should be tightened to approximately 30-35ft-lbs. Inspect all fasteners after 25-50 miles of operation and retighten if necessary.

**** Magnaflow Performance Exhaust recommends professional installation on all their products**