

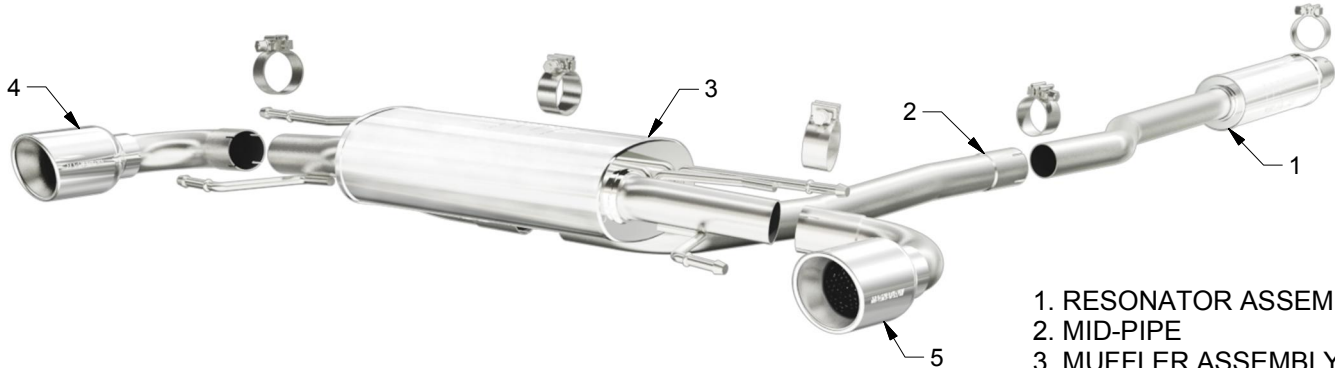


# INSTALLATION INSTRUCTIONS



2014 MAZDA 3 2.0L/2.5L HATCHBACK | PART NO. 15297

## BILL OF MATERIALS:



- 1. RESONATOR ASSEMBLY
- 2. MID-PIPE
- 3. MUFFLER ASSEMBLY
- 4. TIP ASSEMBLY D/S
- 5. TIP ASSEMBLY P/S



WEAR SAFETY GLASSES



READ INSTRUCTIONS THOROUGHLY BEFORE INSTALLING PRODUCT

## SHOP SUPPLIES:



SPRAY LUBRICANT

To ease removal of existing exhaust components (especially on older vehicles) spray penetrating lubricant on all fasteners and hangers/insulators that will be loosened or removed and let soak before disassembly.

## HARDWARE KIT:

- 1.[4] 2.25" Clamp
- 2.[1] 2.50" Clamp

## MINIMUM REQUIRED TOOLS:



15mm  
12mm



Hanger Tool  
(Or Pry Bar)



Cutting  
Device

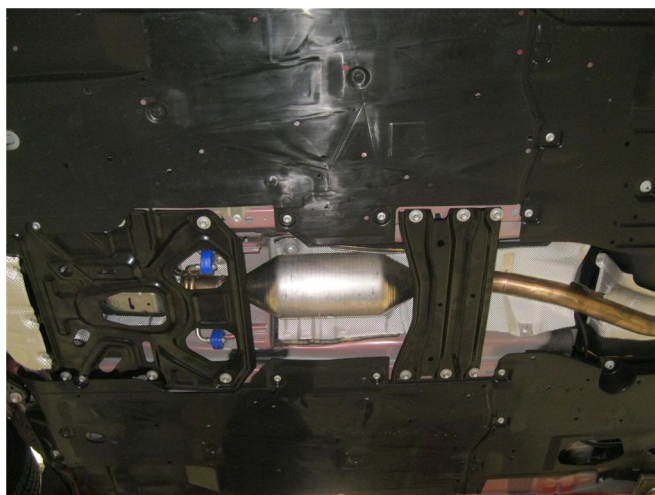
## MAGNAFLOW RECOMMENDS PROFESSIONAL INSTALLATION ON ALL THEIR PRODUCTS



**WARNING:** When working on, under, or around any vehicle exercise caution. Please allow the vehicle's exhaust system to cool before removal, as exhaust system temperatures may cause severe burns. If working without a lift always consult vehicle manual for correct lifting specifications. Always wear safety glasses and ensure a safe work area. Serious injury or death could occur if safety measures are not followed.

**ATTENTION:** Always install any supplied band or U-bolt clamps to the proper torque specifications of 40-45 ft-lbs for band clamps and 30-35 ft-lbs for U-bolt clamps. Over tightening will result in the clamp breaking and will NOT be warranted by MagnaFlow.

## INSTALLATION INSTRUCTIONS



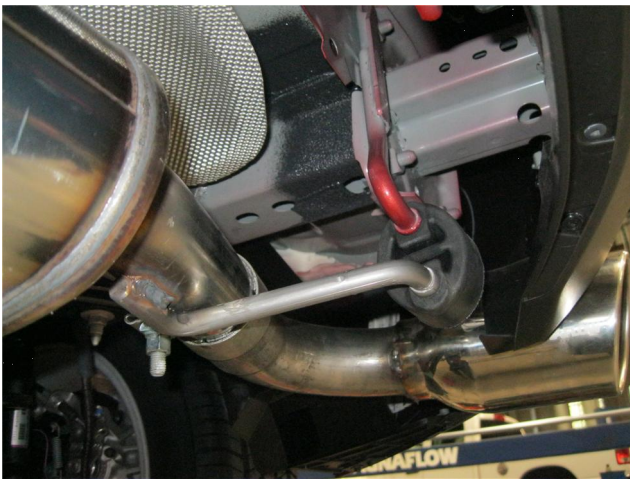
**Step 1.** Removal of the exhaust system requires cutting and de-burring the pipe 2.25" behind the rear hanger attachment point at the rear of the catalytic converter. To accomplish this you must remove the cross brace and catalytic converter shield.



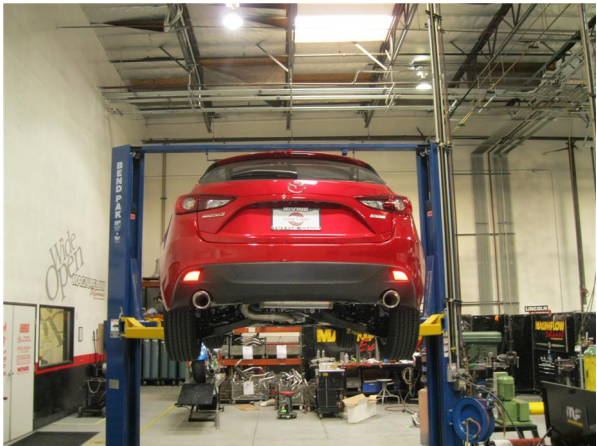
**Step 2.** Next, unbolt the flange at the muffler assembly inlet, disengage the hangers from the rubber insulators (save the rubber insulators as they will be used to install the new system) and remove the OEM system.



**Step 3.** Next attach the Resonator Assembly to the outlet of the catalytic converter using the supplied 2.50" Clamp followed by the Mid-Pipe using a 2.25" clamp. Leave all clamps loose until final adjustment



**Step 4.** Finish by installing both the Muffler Assembly and both Tip Assemblies using the supplied 2.25" clamps, fitting the hangers into the rubber insulators.



**Step 5.** Once a final position has been chosen for the new exhaust system, evenly tighten all clamps from front to rear using the torque specifications on page one of the instructions. Replace the shield and cross brace. Inspect all fasteners after 25-50 miles of operation and re-tighten if necessary.