

INSTALLATION INSTRUCTIONS

Remote Oil Filter Stand - Billet

Part # 18-RFHU77-__-__ (see chart)

Please read these instructions completely before beginning installation.

KIT CONTENTS

QTY.	DESCRIPTION
1	Remote oil filter stand
1	Oil filter stem adapter
1	sūsa ProLine M22 plug (part # 22-M22)
1	sūsa ProLine port bushing, M22 male to 1/8" NPT female (part # 22-M22NPT18)
1	sūsa pipe plug, 1/8"-27 NPT (part # 22-NPT18)
1	Universal mounting bracket
4	M6 x 14mm button head socket screws
1	sūsa thread glue: red lock, anaerobic cure

IMPORTANT

This sūsa component is machined with ProLine M22x1.5 threaded ports and flat-face sealing surface. These ports require use of specialized sūsa ProLine O-ring style adapters or direct-port hose ends (sold separately).

INSTALLATION

sūsa remote oil filter stand provides relocation of the oil filter for more convenient access of the filter and/or the easy installation of an oil cooler. Mounting bracket can be installed in multiple orientations, and fittings can be installed in multiple configurations to best suit the application.

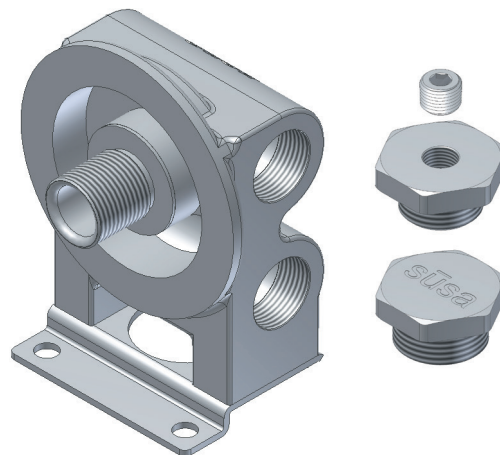
Install oil filter stem adapter

1. Apply sūsa thread glue, included, to male M26 threads on oil filter stem adapter.
2. Install oil filter stem adapter into remote oil filter stand, threading in completely until flange is flush (Figure 1).

Install NPT pipe plug and/or sending unit

NOTE: The 1/8"-27 NPT pipe plug provided is loosely inserted into the port to prevent loss during shipment and is NOT sealed. Installer will determine the use for the port and either fully install the pipe plug or install an appropriate sending unit into the port during installation.

3. Remove the 1/8"-27 NPT pipe plug.
4. Apply thread sealant to male pipe threads if not pre-applied. Teflon thread sealant is preferred, but PTFE tape may be used. If PTFE tape is used it should be wrapped 1-1/2 to



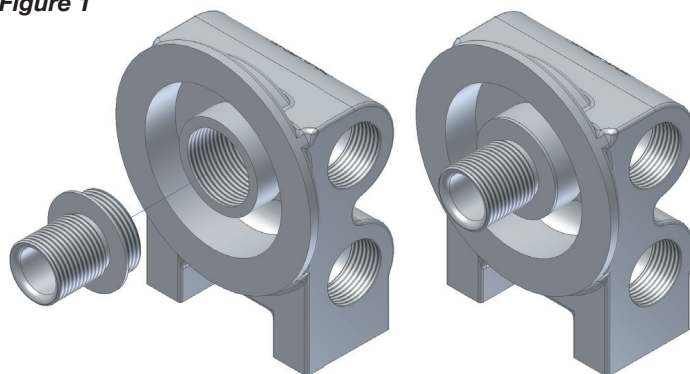
Reference chart for part number / corresponding size

STEM THREAD	STEM COLOR	P/N
13/16"-16	RED	18-RFHU77-13-22
M20 x 1.5	SILVER	18-RFHU77-20-22
M22 x 1.5	BLUE	18-RFHU77-22-22
3/4"-16	BLACK	18-RFHU77-34-22

Filter landing sealing surface

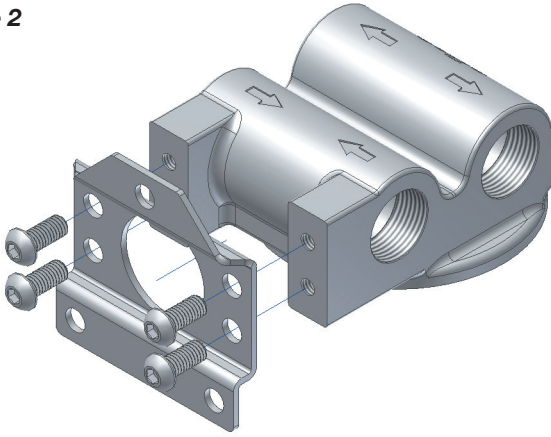
ID	OD
54 mm (2.13 in)	77 mm (3.03 in)

Figure 1



Warning: Installation should only be attempted by those with mechanical skills and experience working on vehicles. Standard safety precautions consistent with the tools and dangers of automotive work should be followed to protect from injury. Specifically, wear protective equipment, take care to stabilize the vehicle on a level surface, engage the parking brake, and allow vehicle to cool before attemptation installation; failure to comply can result in injury and/or damage to equipment.

Figure 2



2 turns in clockwise direction when viewed from the pipe thread end.

CAUTION: More than two turns of tape may cause distortion or cracking of the port.

5. Screw the plug or sending unit into the port to the finger tight position.
6. Wrench tighten the plug or sending unit to 2-3 turns-from-finger-tight (T.F.F.T.).

Install sūsa ProLine fittings & plugs

7. Follow arrows & numbers on remote oil filter stand for fitting connections (Figure 3).

NOTE: If a remote oil thermostat is employed, the oil should flow to the thermostat AFTER the filter.

8. Install sūsa ProLine AN-adapters or direct-port hose ends (sold separately) and ProLine M22 plugs, included. Lubricate the O-rings and threads on ProLine fittings. Tighten sūsa ProLine AN-adapters or direct-port hose ends to 29.5 lb/ft (40Nm).

NOTE: The unused or plugged M22 ports can also be utilized for installation of sending units for temperature, pressure, etc. (additional items sold separately).

Install universal mounting bracket

9. Determine mounting orientation of remote oil filter stand and affix universal mounting bracket using the four M6 x 14mm screws, included (Figure 2). An appropriate thread-locking glue can be used for a semi-permanent or permanent application.
10. Using the three available mounting holes in universal mounting bracket, affix bracket & remote oil filter stand assembly in the desired location. Screws or additional hardware for mounting not included. Suggested screw sizes for mounting bracket through-holes: 1/4" or M6.

Finalizing installation

11. Install spin-on engine oil filter onto remote oil filter stem and tighten to manufacturer's specification.
12. Recheck that all fitting & hose connections are properly sealed, all hose routing is unobstructed and secure.
13. Installation of this component is complete. Proceed with installation of any additional oiling system component(s).

Figure 3: Fitting Configurations

