



**QUALITY... PLAIN & SIMPLE®**

**Billet Aluminum Throttle Bracket & Springs  
for Edelbrock and Carter AFB  
Installation Instructions**

# Billet Aluminum Throttle Bracket & Springs for Edelbrock and Carter AFB Installation Instructions

**Building American Quality... With A Lifetime Warranty!®**

TOLL FREE 1-877-469-7440 • tech@lokar.com • www.lokar.com

**General Installation Notes:**

Please read these instructions completely before beginning the installation. If you have any questions please call.

Before beginning the installation, disconnect the negative battery cable and use wheel chocks to block the vehicle's wheels.

Make sure the engine, transmission, body and frame are properly grounded. We recommend using anti-seize lubricant on all aluminum threads.

**This kit is designed to be used with a Lokar Throttle Cable and/or Kickdown Cable.**

**Refer to Fig. 1 for the component names.**

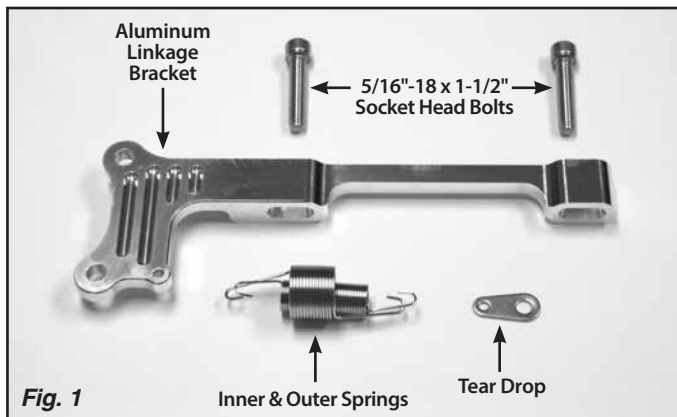
**Step 1:** Install the aluminum linkage bracket onto the rear of the carburetor base using the two 5/16"-18 x 1-1/2" socket head bolts that are supplied with the kit. **NOTE:** If you are using a spacer under the carburetor, you will need to supply new bolts that are longer by the same amount as the spacer thickness. Example: 1/2" spacer requires 1-1/2" + 1/2" = 2" bolt. **Fig. 2**

**Step 2:** Install the tear drop onto the carburetor linkage arm. If you are using a kickdown cable, the tear drop will be held in place by the hex carb fitting and nylock nut that come with the Lokar Kickdown Kit (the hex carb fitting is not included with the Billet Aluminum Throttle Bracket & Springs). **Fig. 3** If a kickdown cable is not being used, attach the tear drop to the carburetor linkage arm using a 1/4" x 1/2" long bolt and nylock nut (not supplied).

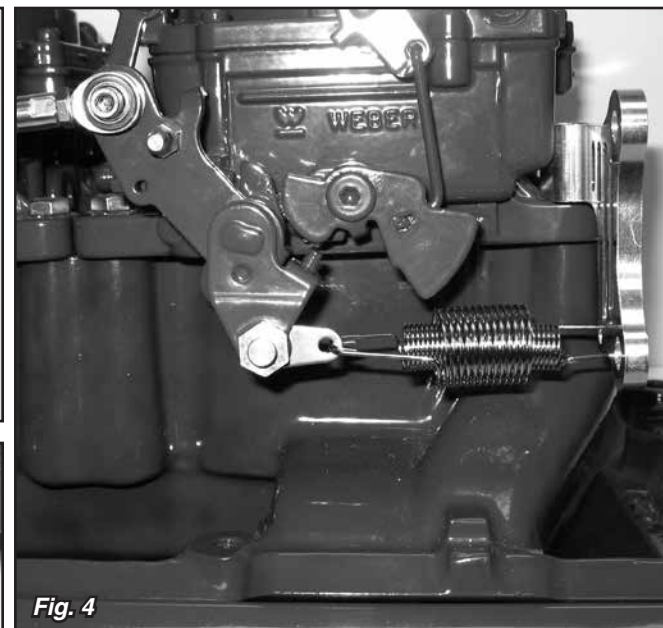
Tighten the nylock nut until the tear drop is snug. Then, back the nut off just enough for the tear drop to swing freely.

**Step 3:** Connect the inner and outer springs to the small hole in the aluminum linkage bracket and to the tear drop. **Fig. 4**

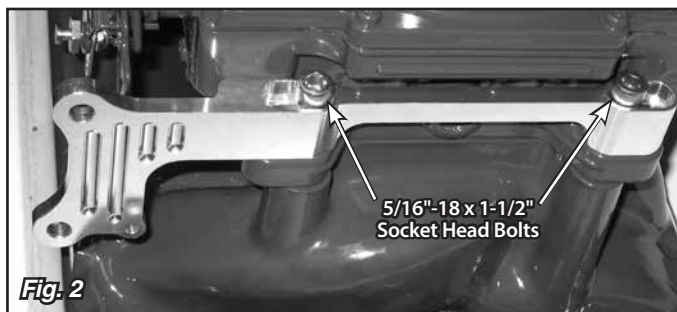
**Step 4:** Install the Lokar Throttle Cable and/or Kickdown Kit according to the instructions included with those parts. See **Fig. 5** for a completed installation with Lokar Throttle Cable and Kickdown Kit.



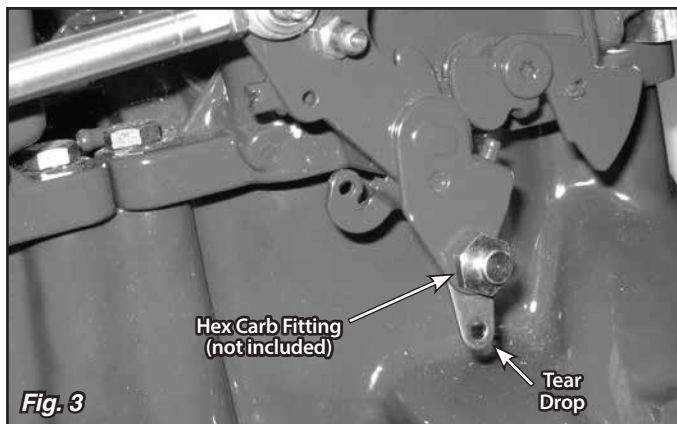
**Fig. 1**



**Fig. 4**



**Fig. 2**



**Fig. 3**



**Fig. 5**