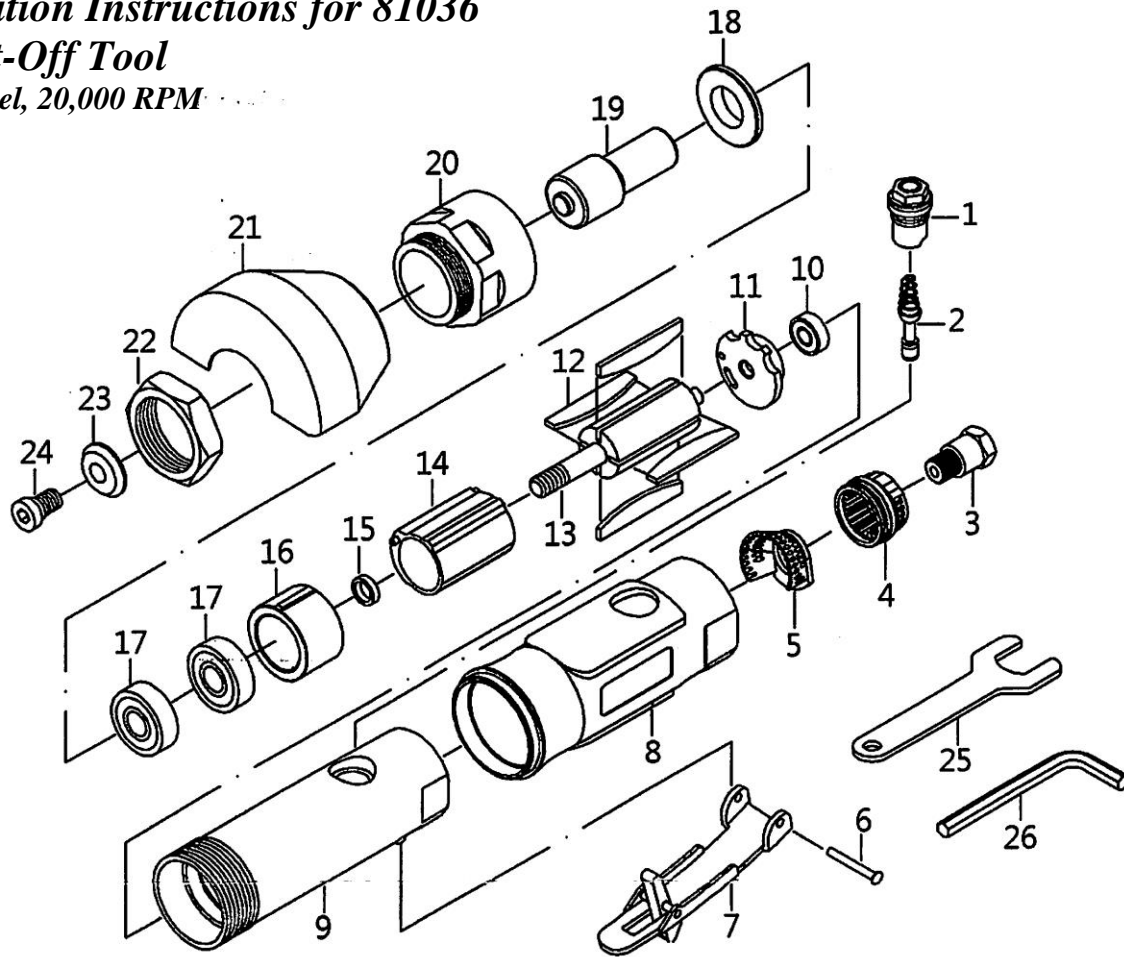


# Installation Instructions for 81036

## Air Cut-Off Tool

3 in. Wheel, 20,000 RPM



NO	PARTS NO	DESCRIPTION	Q'TY
1	ST-70004	REGULATOR SET	1
2	ST-70007B	VALVE STEM SET	1
3	70009	AIR INLET	1
4	ST-70010	EXHAUST SLEEVE SET	1
5	70022A	CONE MUFFLER	1
6	70432BK	SPRING PIN	1
7	ST80509	LEVER	1
8	70014	PROTECTING RUBBER	1
9	ST21015	HOUSING	1

NO	PARTS NO	DESCRIPTION	Q'TY
14	ST-70021	CYLINDER SET	1
15	20022	BEARING SPACER	1
16	ST21023	FRONT PLATE	1
17	21024	BEARING (608ZZ)	2
18	20025	WASHER	1
19	25026	DISC RETAINER	1
20	ST25027	CLAMP NUT	1
21	ST25028BK	GUARD	1
22	ST25029	NUT	1
23	ST25031	WASHER	1
24	60924	SCREW (M6*12)	1
25	BT21038-14	STOP SPANNER (14M/M)	1
26	60929	HEX (5M/M)	1



1-800-345-4545 [jegs.com](http://jegs.com)