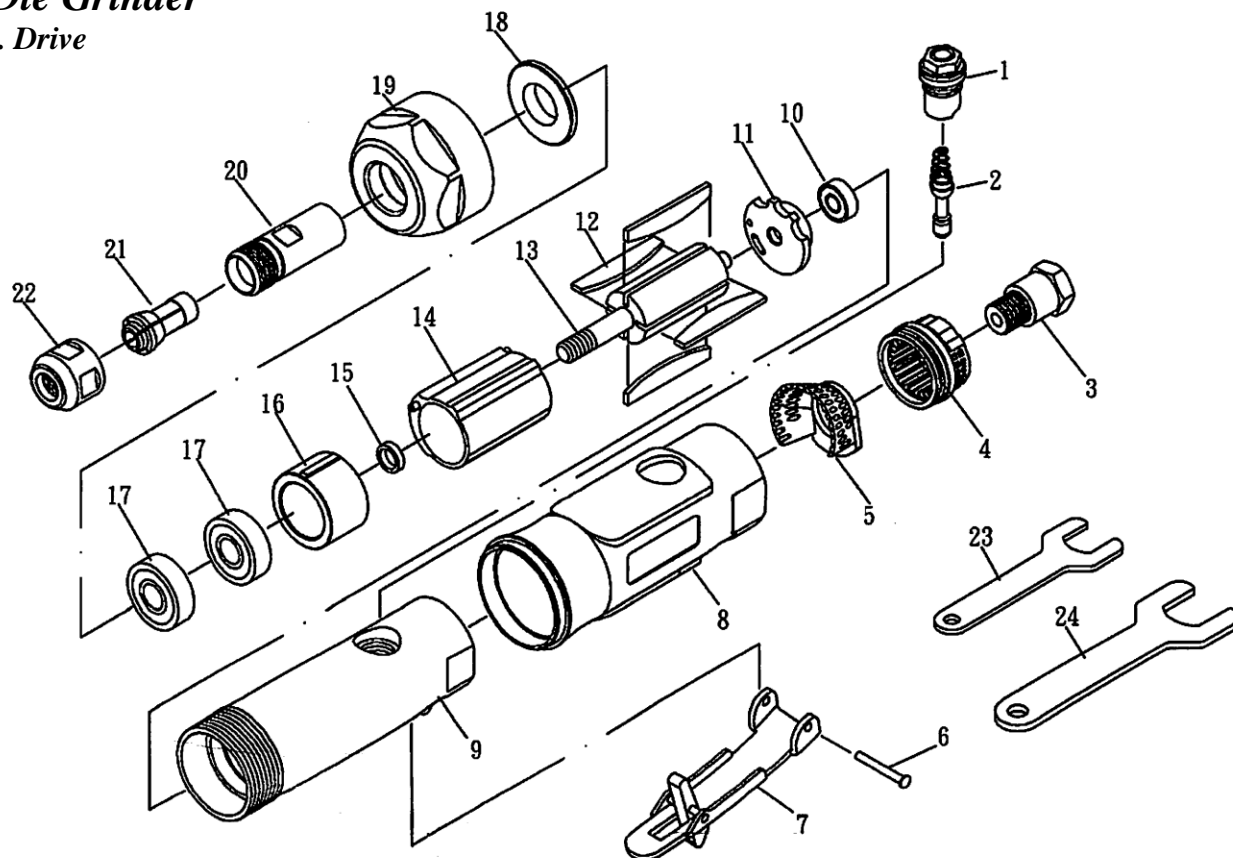


Installation Instructions for 81134

Air Die Grinder

1/4 in. Drive



NO	PARTS NO	DESCRIPTION	Q'TY	NO	PARTS NO	DESCRIPTION	Q'TY
1	ST-70004	REGULATOR SET	1	13	ST288321	ROTOR	1
2	ST-70007B	VALVE STEM SET	1	14	ST-70021	CYLINDER SET	1
3	70009	AIR INLET	1	15	20022	BEARING SPACER	1
4	ST-70010	EXHAUST SLEEVE SET	1	16	ST21023	FRONT PLATE	1
5	70022A	CONE MUFFLER	1	17	21024	BEARING (608ZZ)	2
6	70432BK	PIN	1	18	20025	WASHER	1
7	ST80509	LEVER	1	19	ST20026	CLAMP NUT	1
8	70014	PROTECTING RUBBER	1	20	20027	SPINDLE	1
9	ST21015	HOUSING	1	21	21036	COLLET	1
10	20312	BEARING (696ZZ)	1	22	21037	COLLET NUT	1
11	ST70017	REAR PLATE	1	23	BT21038-14	STOP SPANNER (14MM)	1
12	20019	ROTOR BLADE	4	24	BT21039-19	STOP SPANNER (19MM)	1



1-800-345-4545 jeps.com