



#60002 - Throttle Body EFI Stud Kit Instructions for Mounting Throttle Body EFI to Intake Manifold



Parts List:

- 4 ea Carburetor Mounting Studs
- 4 ea Nuts
- 4 ea Washers

Recommendations:

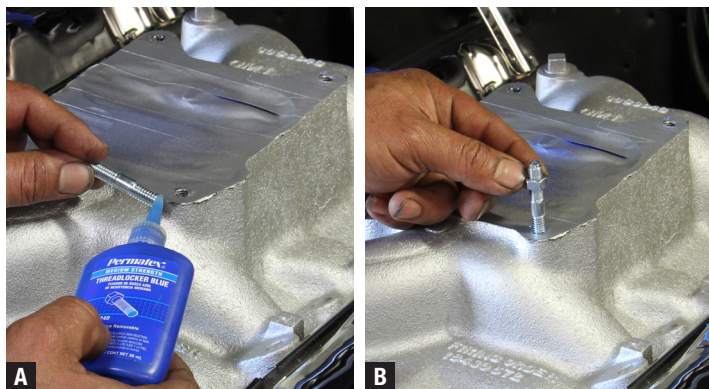
FiTech EFI recommends thread-lock (blue) to be applied on some hardware components during this installation (not included).

Notes:

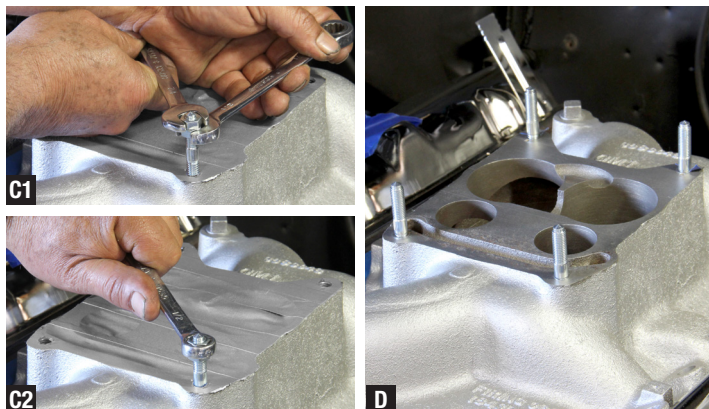
- This install kit fits most 4BBL carburetors or throttle body EFI units, such as FiTech EFI Systems (#30004 - FiTech GO EFI 4 Power Adder Shown).

Instructions:

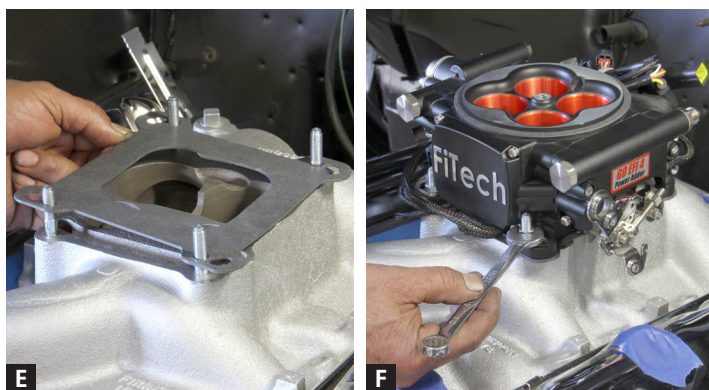
1. Cover any open ports of the intake manifold to prevent debris from falling in, and carefully clean the surface of the manifold flange.



2. Take one carburetor mounting stud and apply thread-lock to the short threaded end. Thread this stud end into one of the carburetor mounting hole locations on the intake manifold and hand tighten until snug. Using a "double nut" method, by threading (2) of the supplied mounting nuts onto the stud and tightening them against one another, tighten the stud down with a hand wrench to it's recommended torque specifications. DO NOT overtighten. Remove the mounting nuts and repeat the process for the remaining (3) studs. (Fig. A-D)



3. Remove any covering used to protect the open manifold ports and install any necessary manifold flange gaskets. Mount the throttle body EFI unit to the intake manifold on the newly installed studs and secure using the (4) supplied carburetor mounting nuts. Tighten to recommended specifications. DO NOT overtighten. (Fig. E-G)





#60002 - Throttle Body EFI Linkage Bushing Kit for Throttle Cable or Throttle Rod Carburetor Linkage



Parts List:	#60002 Kit Also Includes:
#60002 Includes:	1 ea Throttle Rod Pivot Stud
1 ea Carburetor Linkage Bushing	1 ea Nyloc Nut
1 ea Washer	1 ea Screw

PLEASE NOTE: Read instructions completely before any installation. Disconnect ground cable (-) from battery and use general fire safety when working with fuel system components. Do not attempt installation while engine is running.

Recommendations:

Check all original items (existing linkage, etc.) for compatibility and are in good working condition.

Notes:

- Throttle rod pivot stud allows the use of up to 1/4" dia. throttle linkage rod.
- This install kit fits most throttle body EFI units, such as FiTech EFI Systems (#30004 - FiTech GO EFI 4 Power Adder

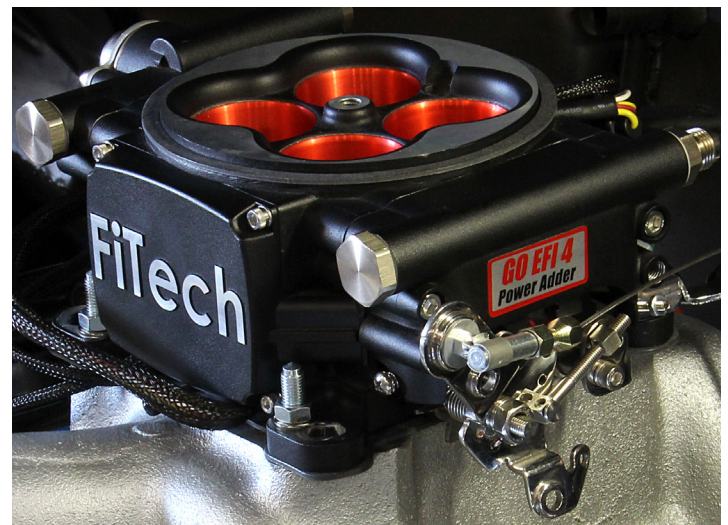
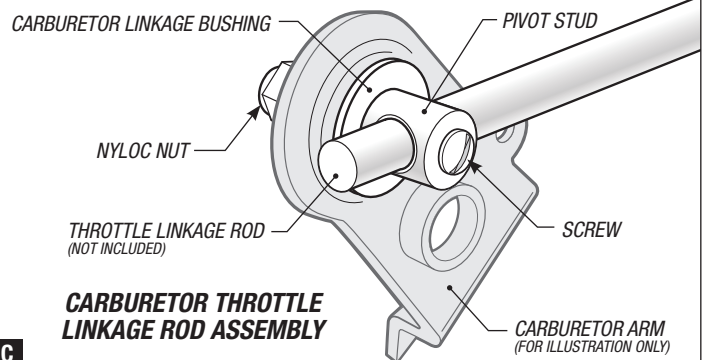
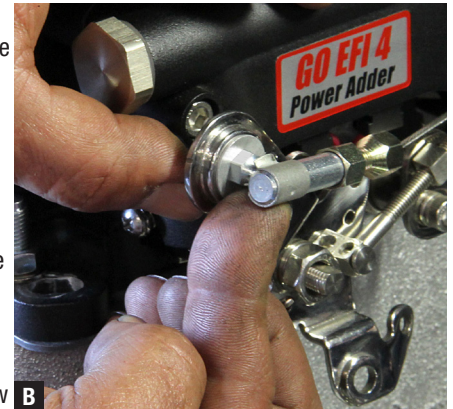
Shown. Instructions:

1. Insert the throttle cable linkage bushing into the upper 1/2" dia. hole on the carburetor throttle arm and back-load the opposite side of the hole with the linkage bushing washer. (Fig. A)



2. Secure the two together by connecting the throttle cable end fitting through the center hole of the linkage bushing. (Fig. B)

For throttle linkage rod applications, secure the linkage bushing and washer using the throttle rod pivot stud and nyloc nut. Pass the throttle linkage rod through the pivot stud eyelit and tighten the holding screw once the desired throttle rod position is set. (Fig. C)



3. With engine off, test carburetor linkage movement by hand and verify the assembly moves freely without binding or interference. Make adjustments as necessary.



#60002 - Air Cleaner Stud Adapter Kit Instructions

for Throttle Body EFI Air Cleaner Assembly



Parts List:

- 1 ea Air Cleaner Stud
- 1 ea Air Cleaner Stud Adapter
- 1 ea Wing Nut

Recommendations:

FiTech EFI recommends this kit for use on throttle body EFI units, such as FiTech EFI Systems (#30004 - FiTech GO EFI 4 Power Adder Shown).

Notes:

Air cleaner stud height may need to be cut to fit your specific air cleaner, or to allow for proper hood clearance.

Instructions:

1. Install any necessary air cleaner gaskets required for your application (not included).

NOTE: For throttle body EFI units with a 5/16"-18 thread tapped air cleaner mounting hole, install the supplied air cleaner stud adapter first, then the air cleaner stud. (Fig. A-C) Units with a 1/4"-20 thread tapped hole can install the air cleaner stud directly.



2. Test fit the air cleaner assembly (not included) onto the air cleaner stud to verify correct stud height (Fig. D1-D2). If needed, the air cleaner stud must be removed and cut to allow proper fitment of your specific air cleaner height or for hood clearance. (Fig. E1-E3)



3. Once the air cleaner stud is fit to the preferred height (and free from debris/metal shavings produced while cutting), install the stud and secure the air cleaner assembly with the supplied wing nut. (Fig. F)

