

**GM TRUCK / SUBURBAN, TAHOE, YUKON, WITH FENDER FLARES  
 AVALANCHE WITH FENDER FLARES (without cladding)  
 REAR MUD GUARDS INSTALLATION INSTRUCTIONS**

***Install paint protection film before mud guards (see other side). Please read instructions thoroughly before installation.***

**Tools Required:**

- Short Phillips screwdriver or drill attachment
- 1/8" drill bit and drill
- Center punch and marking utensil

**Package Contents:**

- Driver & passenger side rear mud guards
- #10 SEM screw (qty. 8)
- U-Clip (qty. 4)
- Paint Protection Film (1 set)
- Instruction sheet

**NOTE:** *It may be necessary to remove the rear wheels depending on the tools being used for installation.*

Clean and degrease the mud guard location area on the rear fender of the vehicle before installation.

SUBURBAN, TAHOE, YUKON, AVALANCHE

1. Remove existing fastener from fender flare and fender at location C; it may be necessary to cut the heads off of the existing plastic fastener and push the remaining stud through the hole (Figure 1).
2. Install U-Clip on the fender over pre-existing fender hole at location C.
3. Attach mud guard with a #10 SEM screw at location C, thru mud guard, fender flare and into U-clip, make sure mud guard fits tightly against fender and that it is parallel to the ground before tightening.
4. Using mud guard as a template, mark and drill 1/8" holes at locations A, B and D and install #10 SEM screws.

**TRUCK INSTALLATION**

5. Remove existing fasteners from fender flare and fender at locations A and C; it may be necessary to cut the heads off of the existing plastic fasteners and push the remaining studs through the holes (Figure 2).
6. Install U-Clips on the fender over pre-existing fender holes at locations A and C.
7. Attach mud guard with #10 SEM screws at locations A and C, thru mud guard, fender flare and into U-clips, make sure mud guard fits tightly against fender and that it is parallel to the ground before tightening.
8. Using mud guard as a template, mark and drill 1/8" holes at locations B and D and install #10 SEM screws.

**NOTE: SOME FENDER AND MUD GUARD HOLE LOCATIONS MAY NOT ALIGN - Due to factory variations in fender hole locations. It may be necessary to mark and drill different hole locations on the mud guards in order to use as many existing holes as possible.**

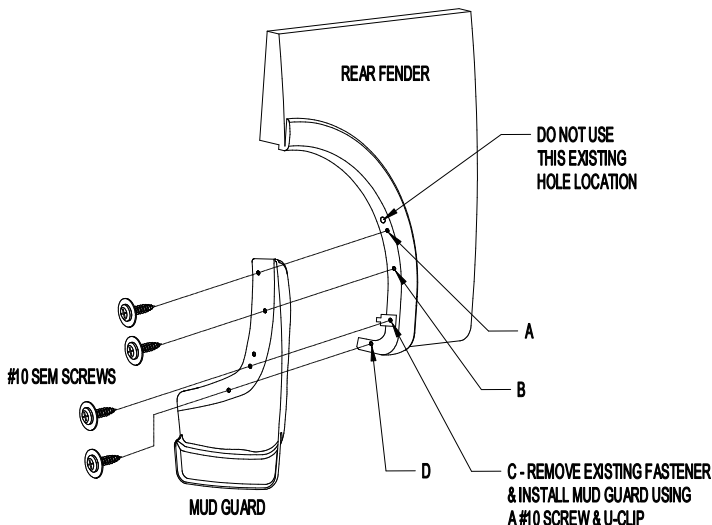


Figure 1

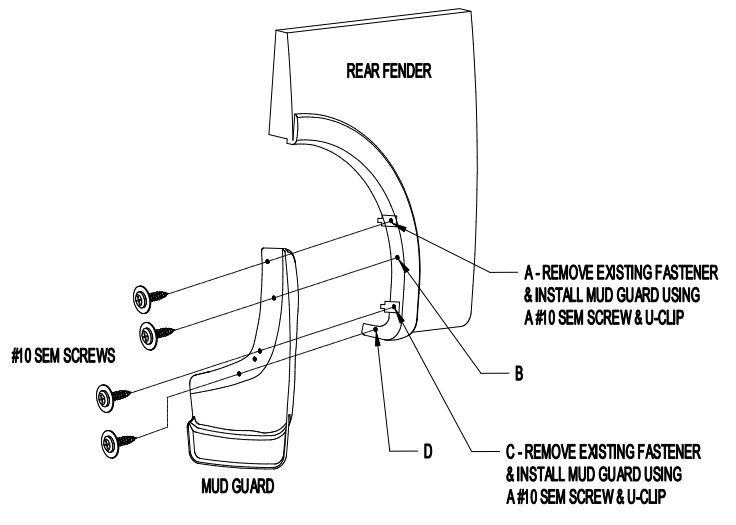


Figure 2

**PAINTING INSTRUCTIONS**

**Note:** *If painting mud guards, perform a mud guard test fit to ensure correct fit and application prior to painting.*

1. Clean mud guard with a soap and water solution to remove dirt and other contaminants.
2. Sand painting surface with 320 grit sand paper.
3. Apply a coating of flexible primer-adhesion promoter.

4. Apply a flexible paint as directed by the paint manufacturer.

**PAINT PROTECTION FILM - INSTALLATION INSTRUCTIONS**

**NOTE:** *The Paint Protection Film is a precut template of film used to protect the mud guard mounting surfaces of your fenders against wear. The templates (left and right side) can be removed from the backing liner by folding the liner at the center cut of the template, separating the film sides and peeling the film templates from the backing liner.*

1. Position mud guard on fender to indicate placement location of paint protection film.
2. Clean the placement area of fender with a clean cotton cloth and a petroleum distillate based cleaner such as DuPonts Prep-Sol Brand Solvent Cleaner or 3M Brand Adhesive Cleaner and dry.
3. Mix a wetting solution of 1 pint of water with 4 drops of liquid dishwashing detergent.
4. Mark correct position of film by placing mud guard against fender. **Make sure film extends beyond edge of mud guard contour a minimum of an 1/8”.**
5. Remove protection film from liner and flood adhesive side of film with wetting solution (use a spray bottle or sponge).
6. Thoroughly wet film placement location of fender with wetting solution.
7. Position the adhesive side of film on fender and flood with wetting solution.
8. Check location of film with mud guard and reposition as necessary.
9. Using a sponge, squeegee any air bubbles and wrinkles from film.
10. Allow film to dry before installing mud guard.

