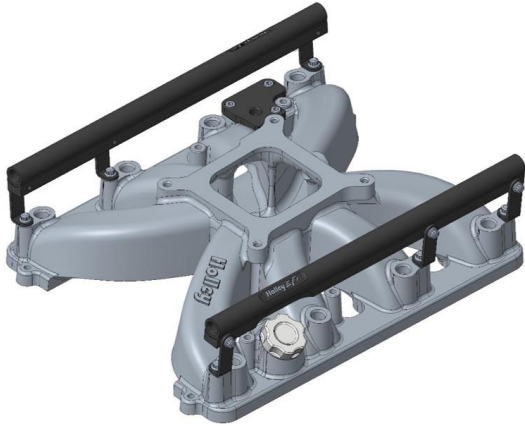
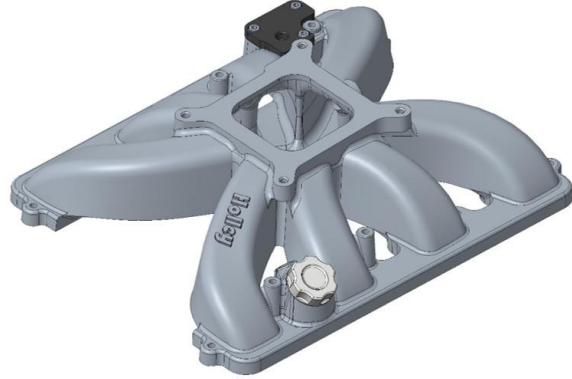




Holley Single Plane Intake Manifold Kits for Chrysler Gen III Hemi Engines



300-930



300-931

Holley P/N	Fuel System
300-930	Hemi Gen III single plane manifold for multi-port EFI, 4150 flange
300-930BK	Hemi Gen III single plane manifold for multi-port EFI, 4150 flange, black finish
300-931	Hemi Gen III single plane manifold for Sniper EFI or carburetor
300-931BK	Hemi Gen III single plane manifold for Sniper EFI or carburetor, black finish

Applications:

These intake manifold kits are designed for 2009-Current 5.7L, 2005-2010 6.1L and 2011-Current 6.4L Chrysler Gen III Hemi engines.

300-930 and 300-930BK are designed to use 4150 type throttle valves. The included fuel rails and brackets fit with either Bosch EV-1 type fuel injectors or most Gen III Hemi OEM injectors.

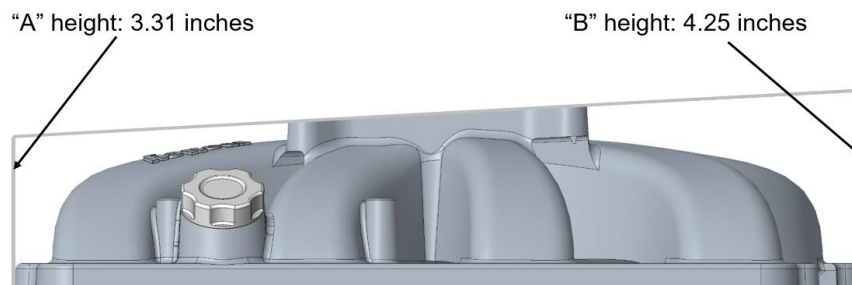
300-931 and 300-931BK are designed to use a 4150 type Sniper EFI or carburetor

Emissions equipment:

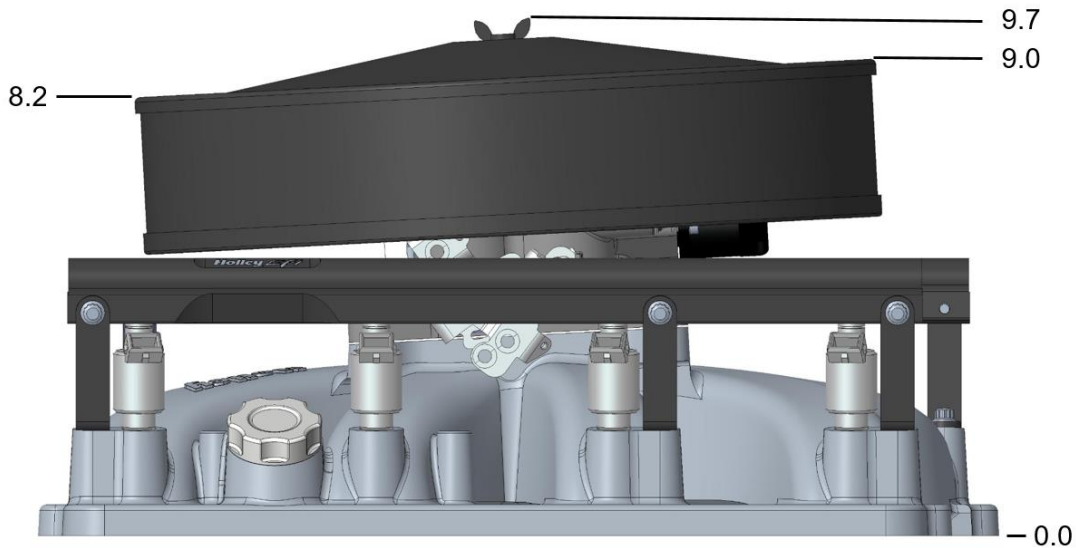
These manifolds do not accept any emission-control devices. This part is not legal for sale or use for motor vehicles with pollution-controlled equipment.

Dimensions:

A-B height:



Reference dimensions for estimating clearance to your vehicle's hood are below. This image shows the following items that are not included: Holley throttle valve (P/N 112-587), Mr. Gasket 14" air cleaner (P/N 9790), and fuel injectors.



Reference dimensions in inches for 300-930 shown with the following items that are not included: Holley 112-587 throttle, Mr. Gasket 9790 14" air cleaner, and fuel injectors.

Kit Contents:

300-930 & 300-930BK	
Qty.	Description
1	Intake Manifold
1	534-222 Fuel Rail Kit
1	534-323 Fuel Rail Kit Installation
1	300-932 Manifold Installation Kit
1	300-933 PCV Passage Cover Kit
1	20-385 Map Sensor Bracket Kit
1	241-225 Billet Oil Fill Cap

534-322	
2	Fuel Rails

534-323	
6	Tall Fuel Rail Brackets
6	Short Fuel Rail Brackets
12	12 Point Cap M6 x 20 Screws

20-385	
1	MAP Sensor Bracket
1	M6 x 15mm Socket Head Cap Screw

241-225	
1	Oil Fill Cap w/ O-Ring

300-931 & 300-931BK	
Qty.	Description
1	Intake Manifold
1	300-932 Manifold Installation Kit
1	300-933 PCV Passage Cover Kit
1	508-58 Manifold Seal Kit
1	241-225 Billet Oil Fill Cap

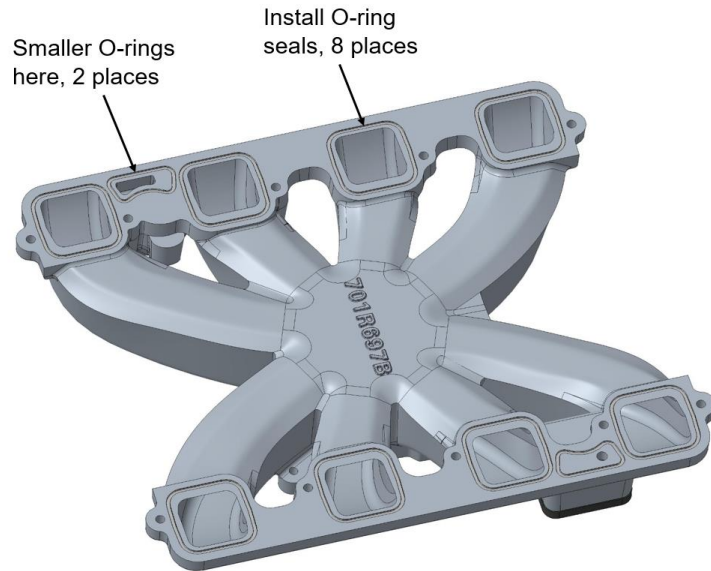
300-932	
6	M6 Short Studs
4	M6 Long Studs
10	M6 Flat Washers
10	M6 Nuts

300-933	
1	PCV Passage Cover
4	Socket Head Cap M6 x 15 Screws
1	PCV Passage Cover Gasket

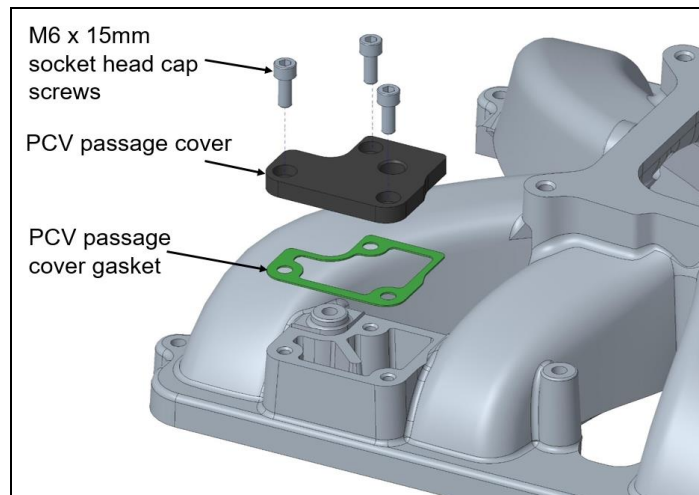
508-58	
8	Port Seals O-Rings
2	PCV Passage Seal O-Rings

Installation of the intake manifold, 300-930 and 300-930BK:

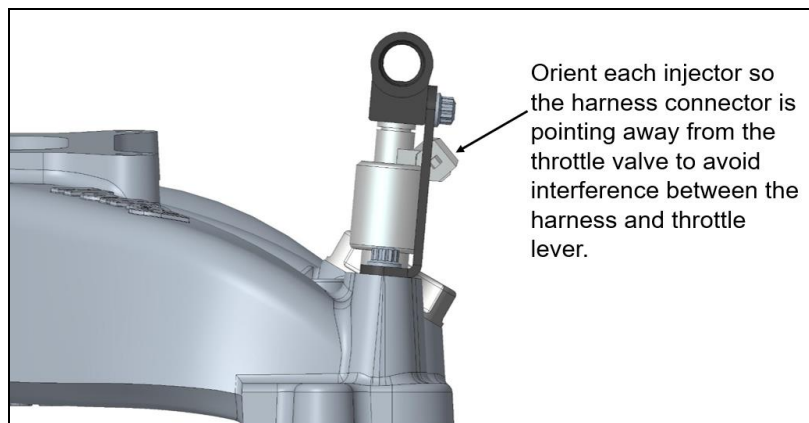
1. Use the dimensions shown to verify that this kit will fit your intended vehicle.
2. Ensure that the intake manifold passages are clean and free of debris and damage.
3. Apply lubricant to the supplied O-rings and install around the (x8) exit ports for the intake manifold. Install the (x2) smaller O-rings around the PCV openings in the manifold, shown below.



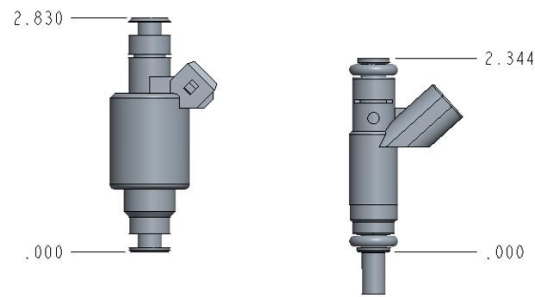
4. Apply a drop of engine oil to the supplied M6 x 1 x 15 socket head cap screws and assemble the PCV gasket and cover to the intake manifold. Torque the screws to 106 in-lbs.



5. For 300-930 only: Apply the proper lubricant to the O-ring seals of the fuel injectors and insert into the intake manifold. Orient the harness connector for each injector to the valve cover side of each fuel rail to avoid contact between the throttle linkage and electrical harness.



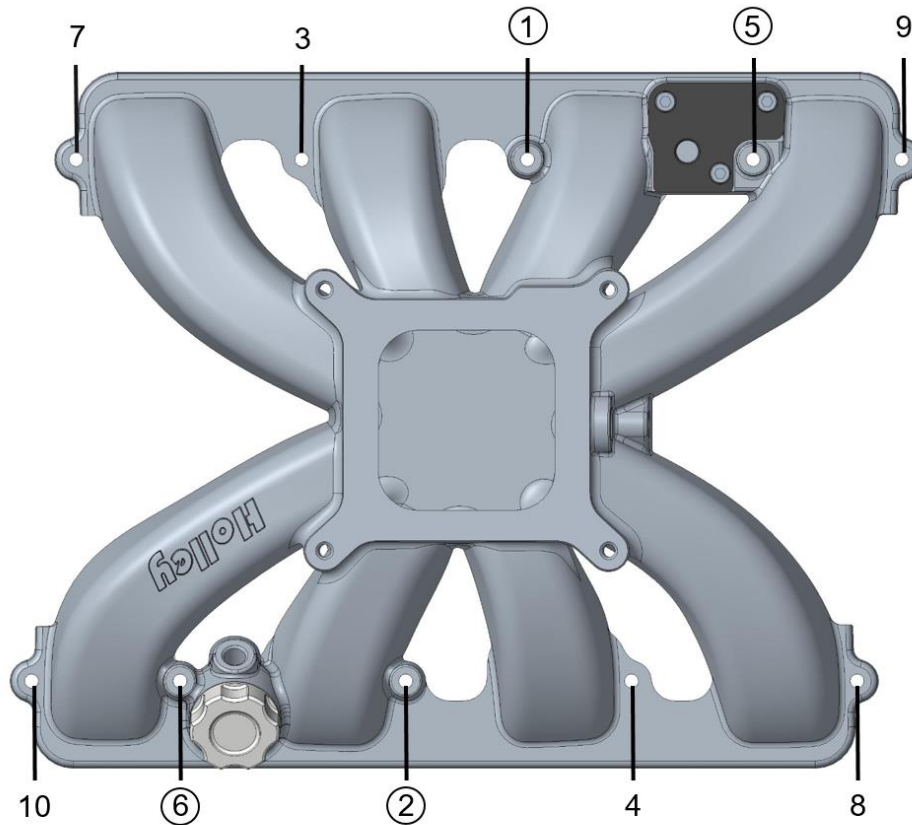
6. For 300-930 only: Choose the correct fuel rail brackets for the injector type that you are using. The long brackets are designed for the Bosch EV-1 type injectors, the short brackets are designed for most Gen III OEM type fuel injectors.



Bosch EV1
type fuel
injector, use
tall brackets

Gen 3 Hemi
fuel injector,
use short
brackets

7. For 300-930 only: Apply a drop of engine oil to the supplied M6 x 1 x 20mm 12 point cap screws and assemble the fuel rail brackets onto the intake manifold. Keep the brackets loose enough to allow orientation for now.
8. For 300-930 only: Apply a drop of engine oil to the supplied M6 x 1 x 20mm 12 point cap screws and assemble the fuel rails, oriented as shown to the mounting brackets.
9. For 300-930 only: Torque the mounting screws for the fuel rail brackets and fuel rails in two steps, first to 50 in-lbs, then to 106 in-lbs.
10. Clean the intake manifold mounting surfaces of the cylinder heads.
11. Apply a drop of oil to each of the supplied intake mounting studs and thread them into the mounting holes of the cylinder heads. In the "Manifold Torque Sequence" shown below, the locations for each of the longer studs are indicated with a circle.



Manifold Tightening Sequence

12. Use the supplied washers and nuts to assemble the intake manifold to the engine. Torque the nuts to in two steps, first to 50 in-lbs, then to 106 in-lbs.
13. For 300-930: The fuel rails are machined to receive an adapter fitting for a -6 AN port with 9/16-18 threads. Use the appropriate fittings to adapt to your vehicle's fuel system. Port adapters and other fittings in this step are not included.
14. Assemble PCV valve to the PCV cover. The hole in the cover is 1/4-18 NPT. Part number SMP V100 is recommended and available from Standard Motor Parts.
15. Apply a drop of oil to the O-ring seal of the supplied oil filler cap and install onto the manifold.
16. Assemble throttle valve, TBI or carburetor, gasket, studs, nuts, throttle cable bracket per manufacturer's instructions. Components in this step are not included.
17. Assemble the air cleaner per the manufacturer's instructions. Components in this step are not included.
18. Before starting engine, check operation of throttle valve to ensure free movement and no interference with throttle plates, throttle levers or cables.

Service Parts Available Separately:

P/N	Description
300-932	Kit, Manifold Installation Hardware
300-932BK	Kit, Manifold Installation Hardware, Black
300-933	Kit, PCV Passage Cover
508-58	Kit, Gen 3 Hemi Single Plane Manifold Seals
534-322	Kit, Gen 3 Hemi Single Plane Manifold Fuel Rails
534-323	Kit, Gen 3 Hemi Single Plane Manifold Fuel Rail Hardware

Accessories Available Separately:

4150 Type Throttle Bodies

P/N	Description
112-587	Holley Universal 4 BBL 4150 throttle body, hard core gray finish
112-588	Holley Universal 4 BBL 4150 throttle body, polished finish
112-577	Holley Universal billet 4 BBL 4150 throttle body
534-307	Terminator X Stealth 4150 air valve, silver finish
534-308	Terminator X Stealth 4150 air valve, black finish
534-309	Terminator X Stealth 4150 air valve, gold finish

Sniper EFI

P/N	Description
550-510	Holley Sniper EFI self-tuning kit, shiny finish
550-511	Holley Sniper EFI self-tuning kit, black finish
550-516	Holley Sniper EFI self-tuning kit, gold finish
550-870	Holley Sniper Stealth 4150, shiny finish
550-871	Holley Sniper Stealth 4150, black finish
550-872	Holley Sniper Stealth 4150, gold finish

Air Cleaner Assemblies

P/N	Description
120-102	Holley 14" round air cleaner, chrome finish
120-102B	Holley 14" round air cleaner, black finish
9790	Mr. Gasket competition air cleaner, chrome finish
9790BP	Mr. Gasket competition air cleaner, black finish

Terminator X Kits

P/N	Description
550-1222	Terminator X Gen III Hemi 2003-2006 Kit for EV1 injectors
550-1223	Terminator X Gen III Hemi 2003-2006 Kit for EV6 injectors
550-1224	Terminator X Gen III Hemi 2006-2013+ Kit for EV1 injectors
550-1225	Terminator X Gen III Hemi 2006-2013+ Kit for EV6 injectors

Cylinder Head Adapter

P/N	Description
300-652	Adapter plates for 2003-2008 Hemi 5.7L engines

Gen III Hemi Swap Systems

Go to www.holley.com to see the current line of engine swap systems for popular cars and trucks.

**Holley Technical Support:
1-866-464-6553**