

This is the first of two manuals required to complete this installation. The second manual is included with your side bars / running boards.

Level of Difficulty

Easy

Parts List

2	Mounting bracket, front
4	Mounting bracket, center / rear
12	Hex bolt, M8
12	Flat washer, M8
12	Lock washer, M8
12	Hex Nut, M8
12	Hex bolt, M10
12	Flat washer, M10
12	Lock washer, M10

Tools Required

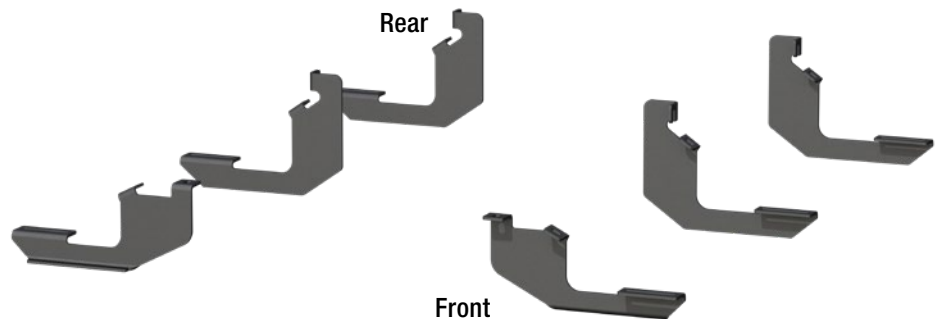
Ratchet	Socket set
Torque wrench	Socket extension

Torque Specifications

M8 bolt	7 ft-lbs.
M10 bolt	35 ft-lbs.

Use above torque setting unless otherwise noted

Product Photo



NOTICE

Before you begin installation, read all instructions thoroughly.

Proper tools will improve the quality of installation and reduce the time required.

To help prevent damage to the product or vehicle, refer to the specified torque specifications when securing hardware during the installation process.

Maintenance

To protect the product, wax after installing. Regular waxing is recommended to add a protective layer over the finish. Do not use any type of polish or wax that may contain abrasives that could damage the finish.

For polished, gloss and other smooth finishes, polish may be used to clear small scratches and scuffs on the finish.

Mild automotive detergent may be used to clean the product. Do not use dish detergent, abrasive cleaners, abrasive pads, wire brushes or other similar products that may damage the finish.

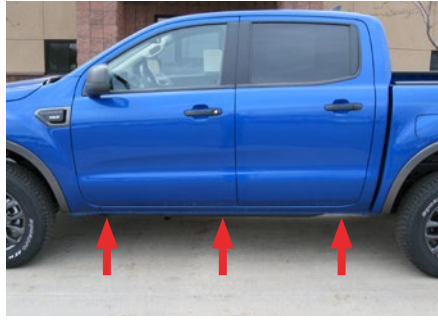
Product Registration and Warranty

CURT Group stands behind our products with industry-leading warranties.

Provide feedback and help us to improve our products by registering your purchase at: warranty.curtgroup.com/surveys

Step 1

Starting on the driver side, locate the three mounting locations underneath the vehicle and remove the factory plastic thread plugs.



Step 2

Using two M10 bolts, lock washers and flat washers, install the front mounting bracket.

Snug the hardware, but do not fully tighten.

Repeat this process for the middle and rear mounting locations.



Step 3

Repeat step 2 for the front, middle and rear mounting locations on the passenger side.

Note: To complete the installation, refer to the manual included with your running boards / side steps.

