

INSTALLATION INSTRUCTIONS AND PARTS LIST

VEHICLE APPLICATION:
MODEL 251452 (20.25" X 23.00")
DUAL WHEEL MUDGUARDS
2020 2500 CHEVY DUAL WHEEL PICKUPS

1. READ INSTRUCTIONS COMPLETELY AND CHECK TO MAKE SURE THAT ALL REQUIRED PARTS (LISTED ON SERVICE PARTS LIST) ARE ON HAND BEFORE STARTING THE INSTALLATION.
2. STARTING ON THE PASSENGER SIDE REMOVE THREE FACTORY HEX HEAD SEMS SCREWS ON THE LOWER OUT SIDE WHEEL WELL. **(THESE SCREWS ARE NOT REUSED).**
3. POSITION THE SPLASH GUARD AGAINST THE WHEEL WELL AND INSTALL THREE HEX HEAD SEMS SCREWS (ITEM #5) AND WASHERS (ITEM #3) THROUGH THE MUD GUARD AND INTO THE FACTORY HOLES.
4. LEVEL THE SPLASH GUARD AND TIGHTEN THE THREE SEM SCREWS (ITEM #5).
5. WITH THE MUD GUARD IN PLACE INSTALL THE THREE SELF DRILLING SCREWS (ITEM#6) AND WASHERS (ITEM #3 & #4) IN THE REMAING THREE HOLES IN THE MUD GUARD (SHOWN IN FIG. 1)



SERVICE PARTS LIST

2020 CHEVY 2500/3500 DUAL WHEEL PICKUPS
 MODEL NO. - 251452

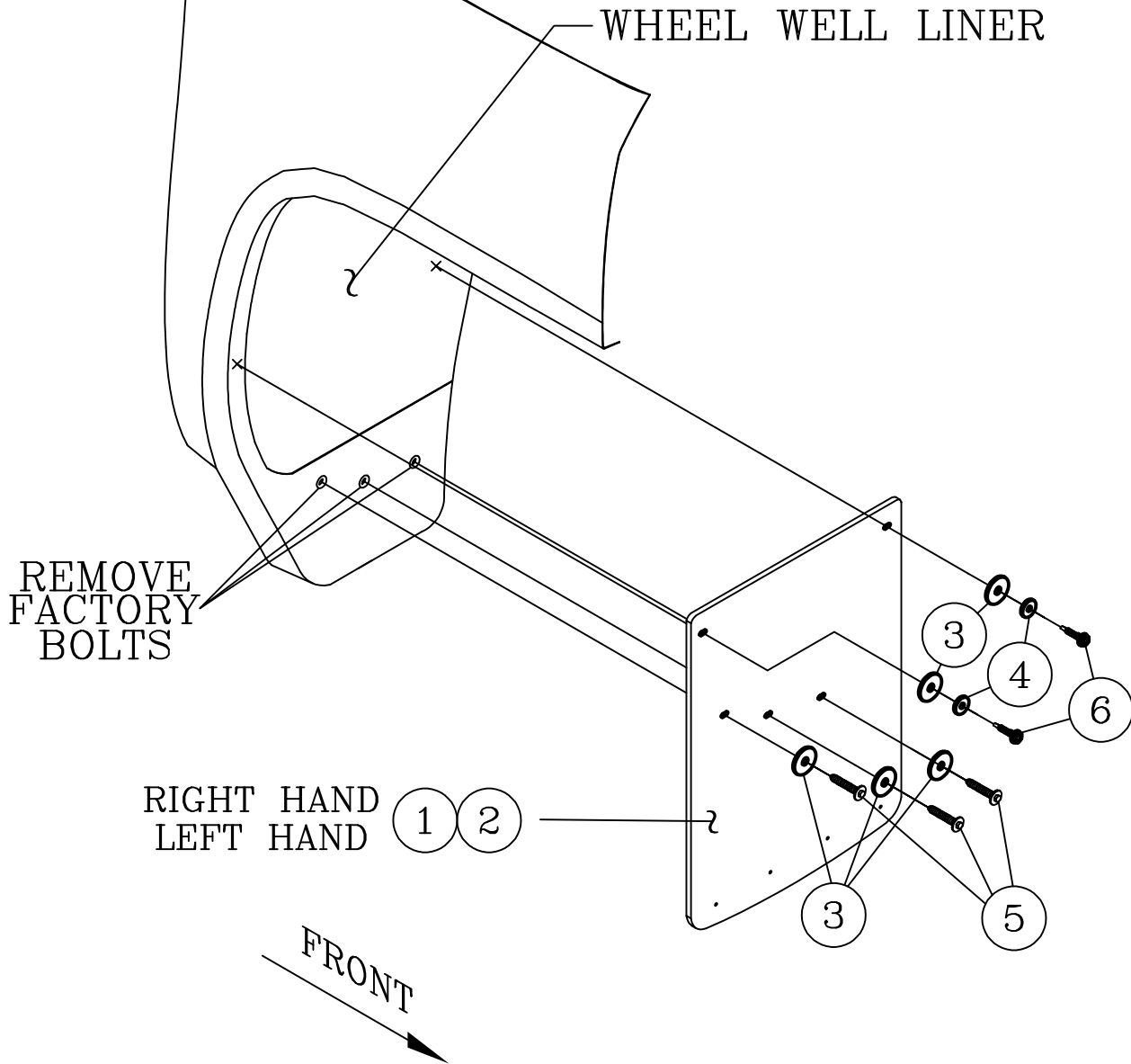


fig.1

REAR INSTALLATION
 RIGHT (PASSENGER) SIDE SHOWN

ITEM	QTY	DESCRIPTION
1	1	SPLASH GUARD-RUBBER,20.25 X 23,20,GM PICKUPS,RH
2	1	SPLASH GUARD-RUBBER,20.25 X 23,20,GM PICKUPS,LH
3	10	WSHR-FNDR, 1/4 X1, SST,18-8,BZP
4	4	WSHR-FL, 3/16, BZP
5	6	SCR-SEMS,7MMHH,M4.2-1.41X30MM
6	4	HHCS,8-18X1 TEK SC#2PT TZC

