

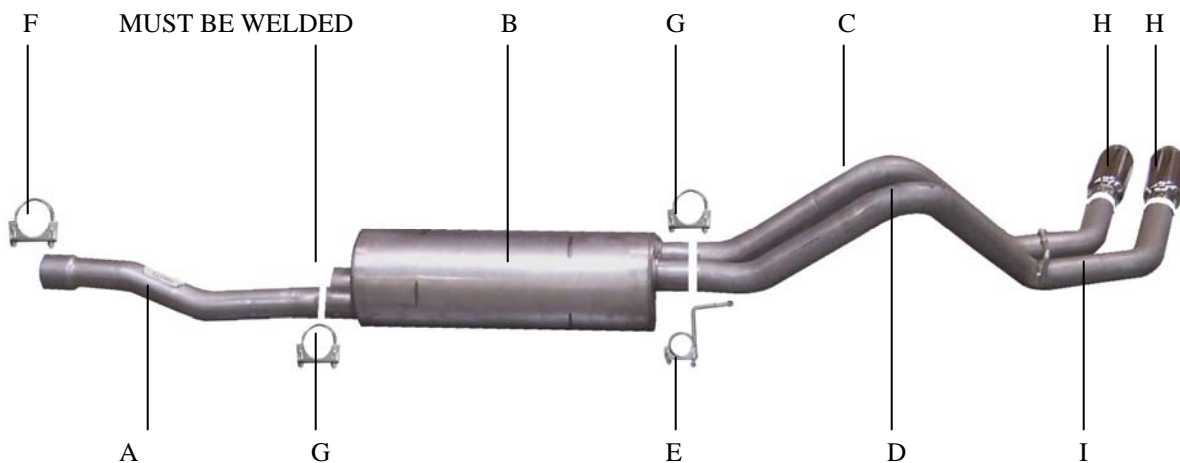


INSTRUCTION MANUAL

CAT-BACK STAINLESS DUAL SPORT EXHAUST

00-06 SUBURBAN / YUKON XL 2500 6.0L-8.1L 2/4WD

PART # 65602



ITEM	PART #	QTY	DESCRIPTION
A	427-700272S	1	2-1/2" DRIVERSIDE STAINLESS HEADPIPE
B	766024S-3	1	SUPERFLOW STAINLESS DUAL INLET MUFFLER
C	454-700305S	1	2-1/2" PASSENGERSIDE S/S OVERAXLE TAILPIPE
D	455-700306S	1	2-1/2" DRIVERSIDE S/S OVERAXLE TAILPIPE
E	40103	1	HANGER- DRIVER SIDE MUFFLER
F	5758	1	2 3/4" CLAMP
G	5757	2	2 1/2" CLAMP
H	500374	2	3 1/2" STAINLESS STEEL TIPS
I	BO-906	1	BOLT KIT FOR TAILPIPE

THIS SYSTEM REQUIRES MINIMUM WELDING

Thank you for purchasing our GIBSON EXHAUST SYSTEM for your vehicle. If you need further assistance, please do not hesitate to call our Technical Department at 1-800-528-3044, Monday through Friday, 8:00 AM to 5:00 PM. 0106

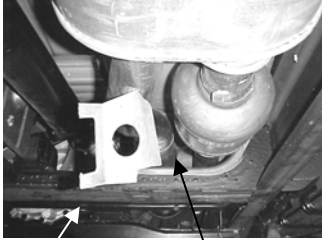
EXHAUST INSTALLATION #65602

THIS KIT REQUIRES MINIMUM WELDING

WHEN INSTALLING THE GIBSON EXHAUST SYSTEM MAKE SURE TO USE ALL THE PROPER SAFETY PRECAUTIONS. USE JACKSTANDS WHEN UNDER THE TRUCK, SET PARKING BRAKE, BLOCK TIRES, AND USE SAFETY GOGGLES AND GLOVES. **DO NOT WORK WITH HOT PIPES!!**

SUGGESTED TOOLS

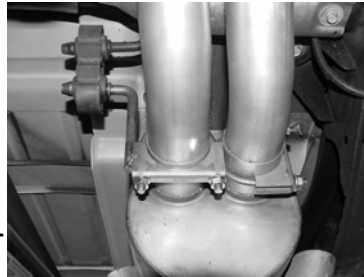
9/16" SOCKET & WRENCH, 15MM SOCKET, 1/2" SOCKET & WRENCH, HACKSAW, JACKSTAND, WD-40



EXHAUST
BRACKET

CUT BRACKET AT THIS
POINT. THEN CUT 3/4" IN
FRONT ON THE MUFFLER
ON PASS. SIDE

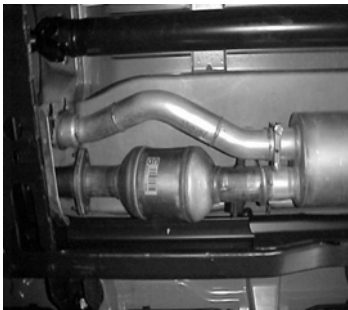
LAY THE EXHAUST AND COMPARE PART NUMBERS WITH THE MANUAL. **REMOVE THE FACTORY EXHAUST BRACKET AT THE FRONT OF THE MUFFLER BY USING A HACKSAW . CUT 3/4" IN FRONT OF THE STOCK MUFFLER ON PASSENGER SIDE. UNBOLT THE DRIVERSIDE 23 1/2" IN FRONT OF THE FACTORY MUFFLER.** FOR EASIER REMOVAL OF STOCK EXHAUST , CUT TAILPIPE AND REMOVE LUBE ALL RUBBER GROMETS WITH WD-40 FOR EASIER REMOVAL.. NOW REMOVE THE STOCK EXHAUST. LEAVE ALL FACTORY RUBBER GROMMETS IN PLACE.



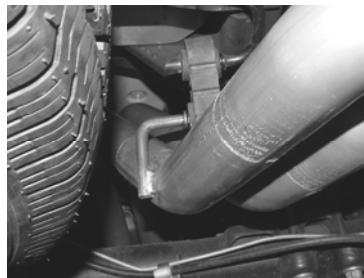
INSTALL REAR MUFFLER HANGER #E ON THE DRIVER SIDE OUTLET OF THE MUFFLER AND INSERT WELDED HANGER TO THE RUBBER GROMMET.



INSTALL THE PASSENGER OVERAXLE TAIL PIPE #C INTO MUFFLER OUTLET.



INSTALL HEADPIPE #A ON THE FACTORY DRIVERSIDE AND ATTACH HEADPIPE USING CLAMP #F. DO NOT TIGHTEN. INSTALL THE MUFFLER WITH THE OUTLET'S POSITIONED AT 12 O'CLOCK. INLET HAS LOUVERS FACING FORWARD TO CATCH THE EXHAUST. USE A JACKSTAND TO SUPPORT THE MUFFLER.

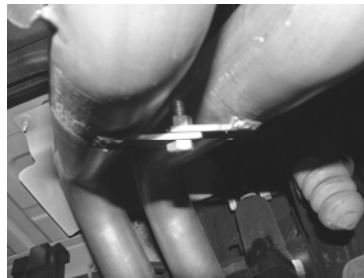


INSTALL DRIVERSIDE OVERAXLE TAILPIPE #D INTO THE MUFFLER OUTLET NO MORE 1" TO 2". INSERT THE WELDED HANGER INTO THE RUBBER GROMMET. **ROTATE** PIPES UNTIL YOU HAVE A MINIMUM OF A 1" CLEARANCE ON ALL RUBBER BRAKE LINES, TIRES, SHOCKS, ETC



MUST BE WELDED AT
THIS POINT

THE MUFFLER MUST BE WELDED ON THE PASSENGER SIDE INLET AND CLAMPED ON THE DRIVER SIDE INLET USING CLAMP #G. DO NOT WELD UNTIL KIT IS COMPLETELY INSTALLED



ATTACH OVERAXLE PIPES TOGETHER WITH WELDED BRACKETS. USING BOLT KIT # I. THEN TIGHTEN ALL CLAMPS AND HANGERS. DRIVERSIDE TAILPIPE TAB WILL BE ON THE BOTTOM.



INSTALL YOUR STAINLESS STEEL TIPS. USE ANY ALUMINUM OR STAINLESS STEEL CLEANER TO POLISH YOUR TIPS.

MAKE SURE YOU HAVE A 1" CLEARANCE ON ALL PIPES FROM ALL RUBBER BRAKE LINES, SHOCK BOOTS, TIRES, FUEL LINES, ETC...