



Jeep Wrangler (JL) 2018-Up, Gladiator 2020-Up

Visit MetraOnline.com for more detailed information about the product and up-to-date vehicle specific applications

KIT FEATURES

- Designed for shallow mount † radios like the Alpine iLX-W650 †
- Brackets included for Pioneer modular radios DMH-C2550NEX and DMH-C2500NEX †
- Painted scratch resistant matte black to match the factory finish
- † Refer to the radio manufacturer for current models
- ‡ Radio chassis depth allowed is 3.75", not including the screen

KIT COMPONENTS

- A) Radio bezel • B) Radio brackets • C) Pioneer adapter brackets • D) Panel clips (4)

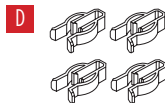
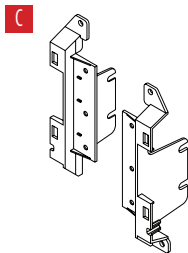
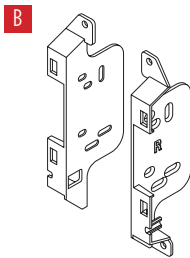
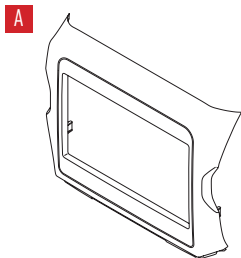


TABLE OF CONTENTS

Dash Disassembly	2
Kit Assembly	
- ISO DDIN radio provision.....	2
- Pioneer Modular DDIN radio provision.....	3

WIRING & ANTENNA CONNECTIONS

- Wiring Harness: See metraonline for harness interface solutions
- Antenna Adapter: 40-EU55 (sold separately)
- RGB Extension Cable: Pioneer part # CD-RGB150E (not sold by Metra)

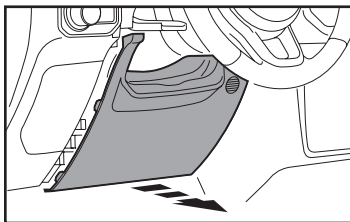
TOOLS REQUIRED

- Panel removal tool • Phillips screwdriver

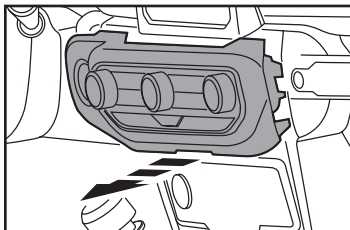
Attention! Let the vehicle sit with the key out of the ignition for a few minutes before removing the factory radio. When testing the aftermarket equipment, ensure that all factory equipment is connected before cycling the key to ignition.

DASH DISASSEMBLY

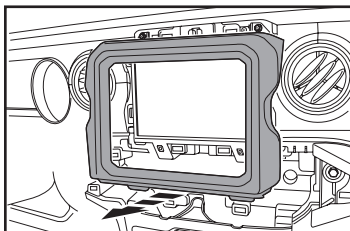
1. Unclip and remove the panel below the steering column. (Figure A)
2. Unclip the climate control panel and set aside. (Figure B)
3. Remove (2) Phillips screws securing the radio trim panel, then unclip and remove the panel. (Figure C)
4. Remove (4) Phillips screws securing the radio, then unplug and remove.



(Figure A)



(Figure B)

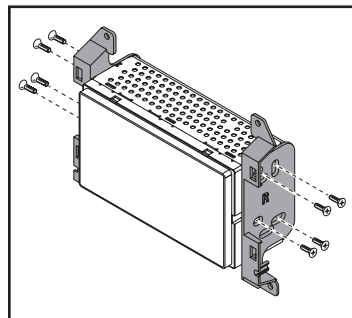


(Figure C)

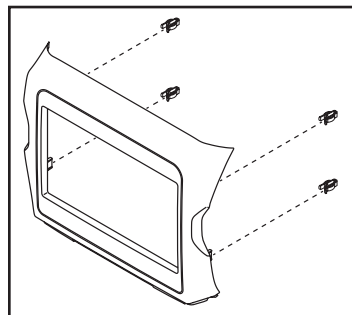
KIT ASSEMBLY

ISO DDIN radio provision

1. Secure the **radio brackets** to the radio using screws supplied with the radio. (Figure A)
2. Locate the factory wiring harness and antenna connector in the dash and complete all necessary connections to the radio. Metra recommends using the proper mating adapter from Metra and/or Axxess. Test the radio for proper operation.
3. Place the radio into the dash, then secure using the factory screws.
4. Attach (4) **panel clips** provided onto the **radio bezel**, then attach the bezel over the radio. (Figure B)
5. Reassemble the dash in reverse order of disassembly to complete the installation.



(Figure A)



(Figure B)

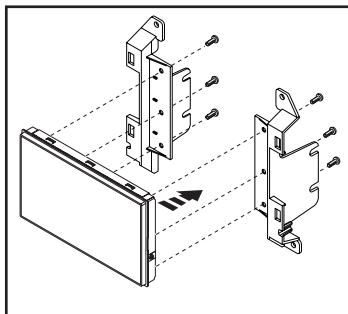
KIT ASSEMBLY

Pioneer Modular DDIN radio provision

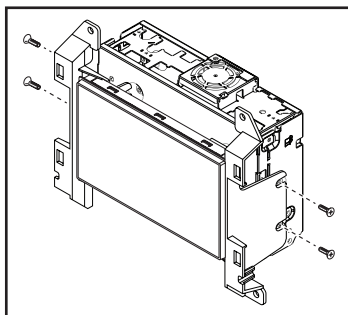
1. Secure the radio display to the **Pioneer adapter brackets** using (6) screws supplied with the radio. (Figure A)

Note: Reference the installation manual provided with the radio for which hardware to use. The display screen and radio chassis use two different types of screws.

2. Secure the radio chassis to the radio display/bracket assembly using (4) screws supplied with the radio. (Figure B)
3. Route the RGB extension cable from the radio chassis to the display screen, then connect it to the display screen.

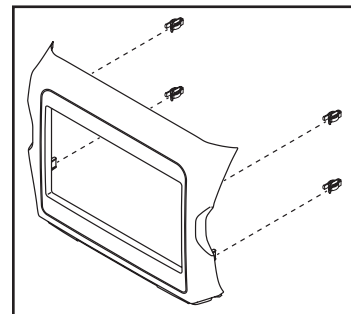


(Figure A)



(Figure B)

4. Locate the factory wiring harness and antenna connector in the dash and complete all necessary connections to the radio. Metra recommends using the proper mating adapter from Metra and/or Axxess. Test the radio for proper operation.
5. Place the radio display into the dash, then secure using the factory screws.
6. Attach (4) **panel clips** provided onto the **radio bezel**, then attach the bezel over the radio. (Figure C)
7. Reassemble the dash in reverse order of disassembly to complete the installation.



(Figure C)



107-CH3B

INSTALLATION INSTRUCTIONS



If you are having difficulties with the installation of this product, contact our Tech Support line either by phone at **386-257-1187**, or email at **techsupport@metra-autosound.com**. Before doing so, look over the instruction booklet a second time and ensure that the installation was performed exactly as the instruction booklet is stated. Have the vehicle apart and ready to perform troubleshooting steps before contacting Metra/Axxess Tech Support.



KNOWLEDGE IS POWER

Enhance your installation and fabrication skills by enrolling in the most recognized and respected mobile electronics school in our industry. Log onto www.installerinstitute.com or call 800-354-6782 for more information and take steps toward a better tomorrow.



Metra recommends MECP certified technicians