



EZ - Ride Suspension

PART NUMBER : 50895
1979 — 1995 Toyota pickup
REAR TRACTION BARS

PARTS LIST:

<u>Part #</u>	<u>Description</u>	<u>Qty.</u>
RTB-04	Rear traction bars	2
TB-04	Driver side hanger bracket	1
TB-05	Passenger side hanger bracket	1
TB-06	U-bolt bracket	2
50995NB	Hardware bag	1
50895INST	Instruction manual	1

Congratulations on your selection to purchase a Tuff Country EZ-Ride Suspension System. We at Tuff Country are proud to offer a high quality product at the industries most competitive pricing. Thank you for your confidence in us, and our product.

Before installation begins, it is the customers/installers responsibility to make sure that all parts are on hand. If any parts are missing, please feel free to call one of our customer service representative @ (800) 288-2190.

Make sure to use locktite on all new and stock hardware associated with this installation.

It is the responsibility of the installers to make sure that the rear view mirror hanger is hung from the rear view mirror. The rear view mirror hanger has instructions on proper post installation procedures.

Torque Settings

5/16"	15—18 ft lbs.	3/8"	28—32 ft lbs.
7/16"	30—35 ft lbs.	1/2"	65—85 ft lbs.
9/16"	85—120 ft lbs.	5/8"	95—130 ft lbs.
3/4"	100—140 ft lbs.		

INSTALLATION MANUAL REAR TRACTION BARS

Toyota Pickup

1979 — 1995

PART # 50895

sj022205rev.01

IMPORTANT CUSTOMER INFORMATION

Tuff Country EZ-Ride Suspension highly recommends that a qualified and or certified mechanic performs this installation.

This vehicles reaction and handling characteristics may differ from standard cars and/or trucks. Modifications to improve and/or enhance off road performance may raise the intended center of gravity. Extreme caution must be utilized when encountering driving conditions which may cause vehicle imbalance or loss of control. **DRIVE SAFELY!** Avoid abrupt maneuvers, such as sudden sharp turns which could cause a roll over, resulting in serious injury or death.

It is the customers responsibility to make sure that a re-torque is performed on all hardware associated with this suspension system after the first 500 miles of installation. It is also the customers responsibility to do a complete re-torque after every 3000 miles or after every off road use.

After the original installation, Tuff Country EZ-Ride Suspension also recommends having the alignment check every 6 months to ensure proper tracking, proper wear on tires and front end components. Tuff Country EZ-Ride Suspension take no responsibility for abuse, improper installation or improper suspension maintenance.

It is the responsibility of the customer or the mechanic to wear safety glasses at all times when performing this installation.

It is the customers/installers responsibility to read and understand all steps before installation begins. OEM manual should be used as a reference guide.

The Tuff Country EZ-Ride Suspension product safety label that is included in your kit box must be installed inside the cab in plain view of all occupants.

LIMITED LIFETIME WARRANTY

Notice to all Tuff Country EZ-Ride Suspension customers: It is your responsibility to keep your original sales receipt! If failure should occur on any Tuff Country EZ-Ride Suspension component, your original sales receipt must accompany the warranted unit to receive warranty. Warranty will be void if the customer can not provide the original sales receipt. Do not install a body lift in conjunction with a suspension system. If a body lift is used in conjunction with any Tuff Country EZ-Ride Suspension product, your Tuff Country EZ-Ride Suspension **WARRANTY WILL BE VOID.** Tuff Country Inc. ("Tuff Country") suspension products are warranted to be free from defects in material and workmanship for life if purchased, installed and maintained on a non-commercial vehicle; otherwise, for a period of twelve (12) months, from the date of purchase and installation on a commercial vehicle, or twelve thousand (12,000) miles (which ever occurs first). Tuff Country does not warrant or make any representations concerning Tuff Country Products when not installed and used strictly in accordance with the manufacturer's instructions for such installation and operation and accordance with good installation and maintenance practices of the automotive industry. This warranty does not apply to the cosmetic finish of Tuff Country products nor to Tuff Country products which have been altered, improperly installed, maintained, used or repaired, or damaged by accident, negligence, misuse or racing. ("Racing is used in its broadest sense, and, for example, without regards to formalities in relation to prizes, competition, etc.) This warranty is void if the product is removed from the original vehicle and re-installed on that or any other vehicle. This warranty is exclusive and is in lieu of any implied warranty of merchantability, fitness for a particular purpose or other warranty of quality, whether express or implied, except the warranty of title. All implied warranties are limited to the duration of this warranty. The remedies set forth in this warranty are exclusive. This warranty excludes all labor charges or other incidental or consequential damages. Any part or product returned for warranty claim must be returned through the dealer of the distributor from whom it was purchased. Tuff Country reserves the right to examine all parts returned to it for warranty claim to determine whether or not any such part has failed because of defect in material or workmanship. The obligation of Tuff Country under this warranty shall be limited to repairing, replacing or crediting, at its option, any part or product found to be so defective. Regardless of whether any part is repaired, replaced or credited under this warranty, shipping and/or transportation charges on the return of such product must be prepaid by the customer under this warranty.

Hardware Bag 50995NB includes:

Description	Quantity
Poly bushings (PB2408)	4
S10080 (over size washer)	4
S10082 (crush sleeve)	2
Poly bushings (MO2516)	4
12FN (1/2" fine nut)	4
916312B (9/16" x 3 1/2" bolt)	2
12WA (1/2" flat washer)	8
916UN (9/16" unitorque nut)	2
5161B (5/16" x 1" bolt)	2
14WA (1/4" flat washer)	4
516UN (5/16" unitorque nut)	2
M14120B (14 mm x 120 mm bolt)	2
M14UN (14 mm unitorque nut)	2
LUBE (poly lube pack)	1

Traction bar installation:

1. To begin installation, block the front tires of the vehicle so that the vehicle is stable and can't roll forward. Safely lift the rear of the vehicle and support the frame with a pair of jack stands. Place a jack stand on both the driver and passenger side. Next remove the wheels and tires from both sides and set a side for later re-installation.
2. Working on the rear axle, place a pair of hydraulic floor jacks under the rear differential. Place one on the driver side and one on the passenger side.
3. Working on the driver side, remove the stock spring hanger bolt and discard the stock spring hanger bolt and nut. Repeat procedure on the passenger side.
4. Locate the new driver & passenger side hanger bracket. Also, locate (2) 14 mm x 120 mm bolt, (4) 1/2" flat washers, (2) M14 unitorque nuts, (2) 5/16" x 1" bolt, (4) 1/4" flat washers and (2) 5/16" unitorque nuts from hardware bag 50995NB. Working on the driver side, install the new driver side hanger bracket to the stock hanger bracket and secure using the new 14 mm x 120 mm bolt and hardware. **Special note: Make sure to use thread locker or lock tight. Do not tighten at this point.** Holding the new driver side hanger bracket flush with the stock hanger bracket and using the new bracket as a guide, carefully drill a 5/16" hole into the stock hanger bracket. Using the new 5/16" x 1" bolt and hardware, secure the new driver side hanger bracket to the stock hanger bracket. **Special note: Make sure to use thread locker or lock tight.** Torque the new 5/16" hardware to **15 ft lbs.** Move back to the new 14 mm x 120 mm bolt and torque **85 ft lbs.** Repeat procedure on the passenger side.

Photo # 1 (driver side shown)

5. Locate the new rear traction bars. Also, locate (4) PB2408 poly bushings and (2) S10082 crush sleeves from hardware bag 50995NB. Install the new poly

bushings and sleeves into each end of the new rear traction bars. **Special Note: Make sure to use a lithium or moly base grease prior to inserting the new bushings and sleeves into the new rear traction bars. This will increase the life of the bushing as well as prevent squeaking.**

6. Locate (4) new MO2516 poly bushings, (4) S10080 over size washers and (4) 1/2" fine nuts from hardware bag 50995NB. On both rear traction bars, install (1) new 1/2" fine nut all the way up the all thread on the new rear traction bar. Slide the new over size washer onto the all thread and then install the MO2516 poly bushings. Working on the driver side, install the new rear traction bar to the previously installed hanger bracket. Secure using the new MO2516 poly bushing, over size washer and the new 1/2" fine nut. **Do not tighten at this point.** Repeat procedure on the passenger side.

Photo # 2 (driver side shown)

7. Working on the driver side, remove the stock u-bolts and stock bump stop and set a side for later re-installation. Repeat procedure on the passenger side.

8. Locate the new rear u-bolt traction bar brackets. Also, locate (2) new 9/16" x 3 1/2" bolts, (4) 1/2" flat washers, (2) 9/16" unitorque nuts from hardware bag 50995NB. Working on the driver side, install the new rear traction bar to the new rear u-bolt traction bar bracket and secure using the new 9/16" x 3 1/2" bolt and hardware. **Special note: Make sure to sue thread locker or lock tite. Do not tighten at this point.** Locate the stock u-bolts and bump stops that were removed in step # 7. Install the new rear u-bolt traction bar bracket onto the stock spring pack and secure using the stock u-bolts and hardware. **Special note: Make sure to re-install the stock bump stop.** Torque the stock u-bolts to **100 ft lbs.** Repeat the procedure on the passenger side. Move back to the new 9/16" x 3 1/2" bolt and hardware that connects the new traction bar to the new rear u-bolt traction bar bracket and torque to **85 ft lbs.** Repeat procedure on the passenger side.

Photo # 3 (driver side shown)

9. Carefully remove the hydraulic floor jacks from under the rear differential.

10. Re-install the tires and wheels and carefully lower the vehicle to the ground.

11. With the weight of the vehicle on the ground, working on the driver side, tighten the front and rear 1/2" fine nut that connects the rear traction bar to the new hanger bracket. Torque to **45 ft lbs.** Repeat procedure on the passenger side.

Photo # 2 (driver side shown)

12. Check and double check to make sure that all steps were performed properly.

Congratulations, installation complete. If you have any questions or concerns, please feel free to contact Tuff Country EZ-Ride Suspension.

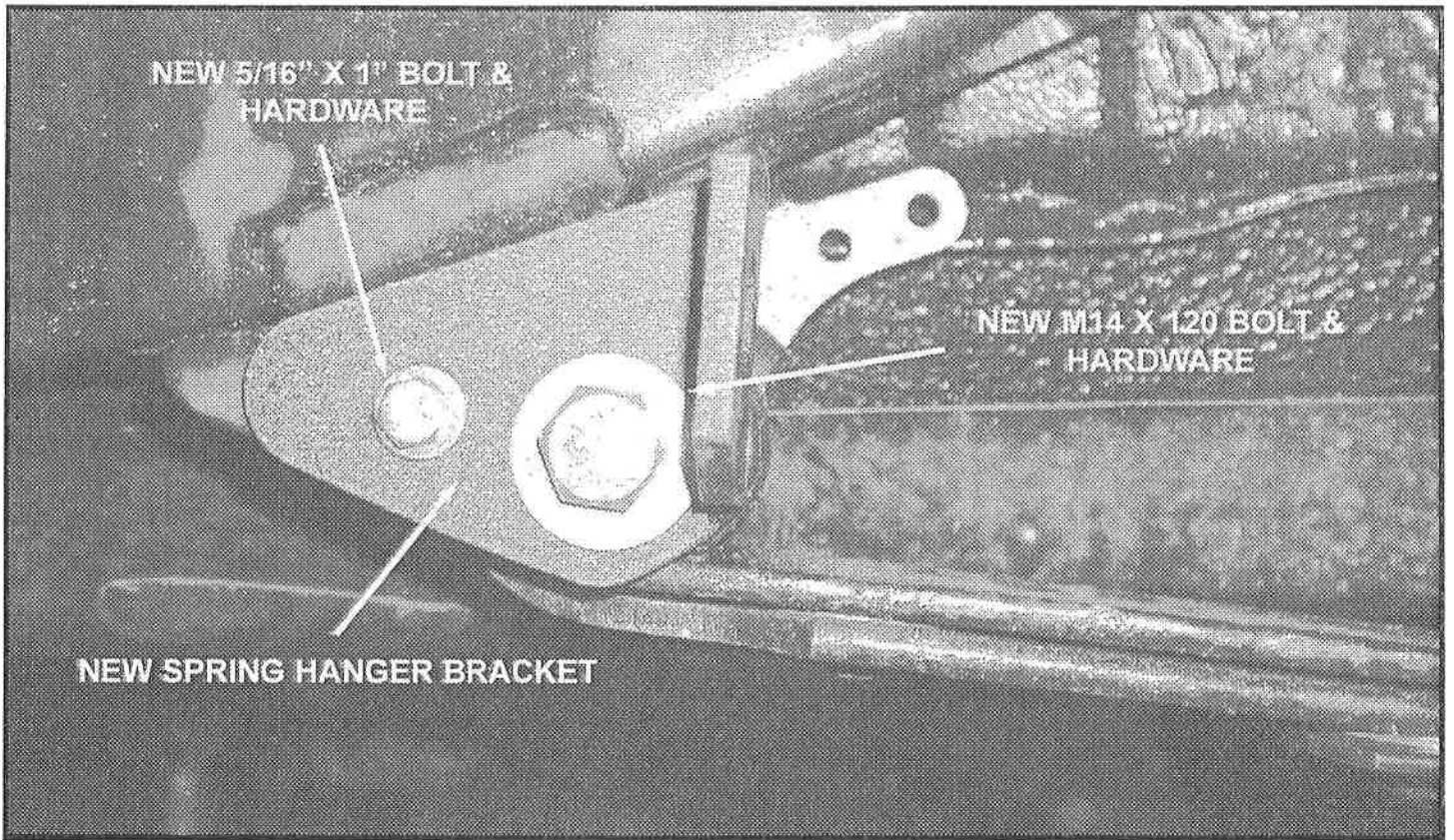


PHOTO # 1

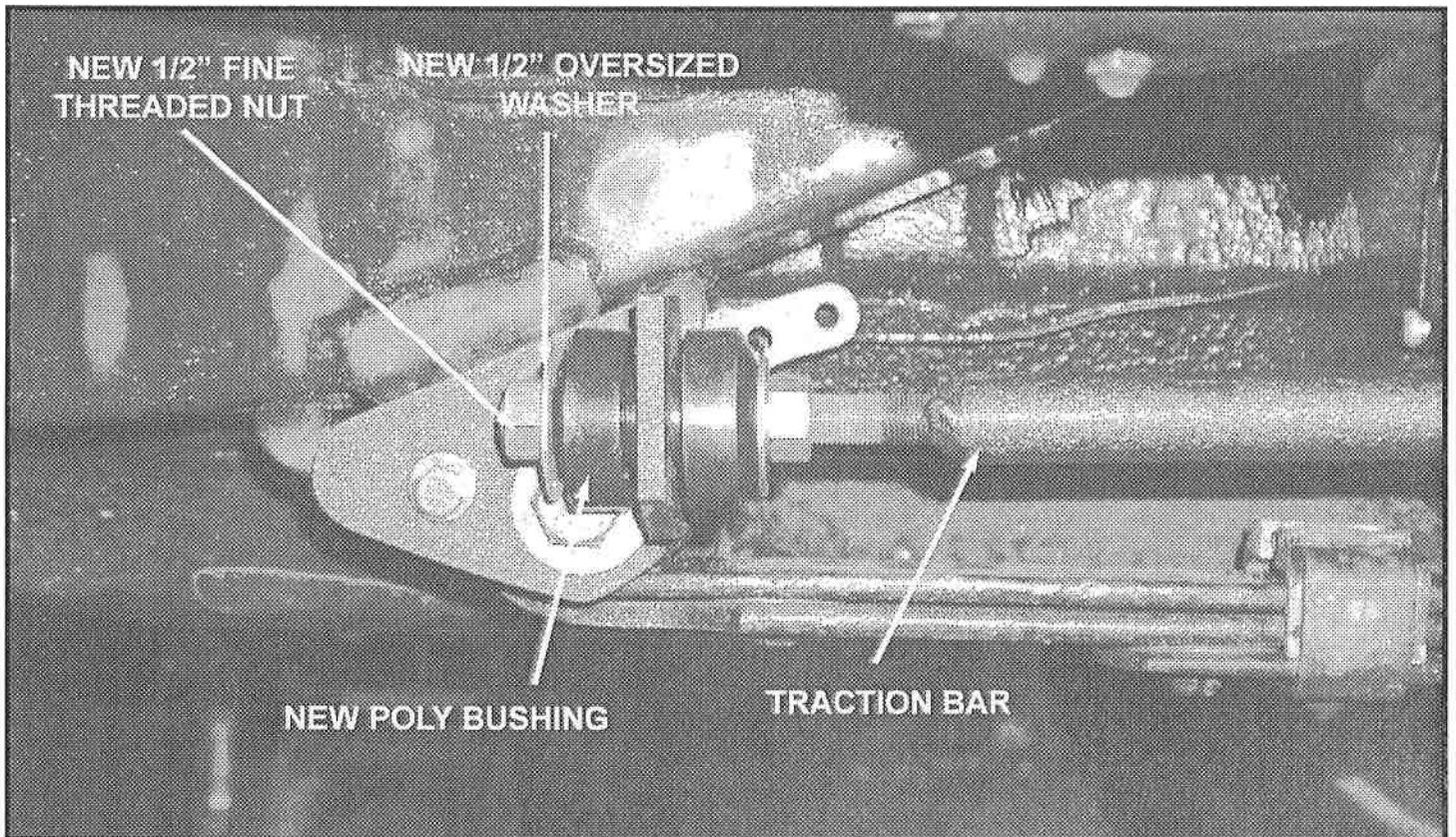


PHOTO # 2

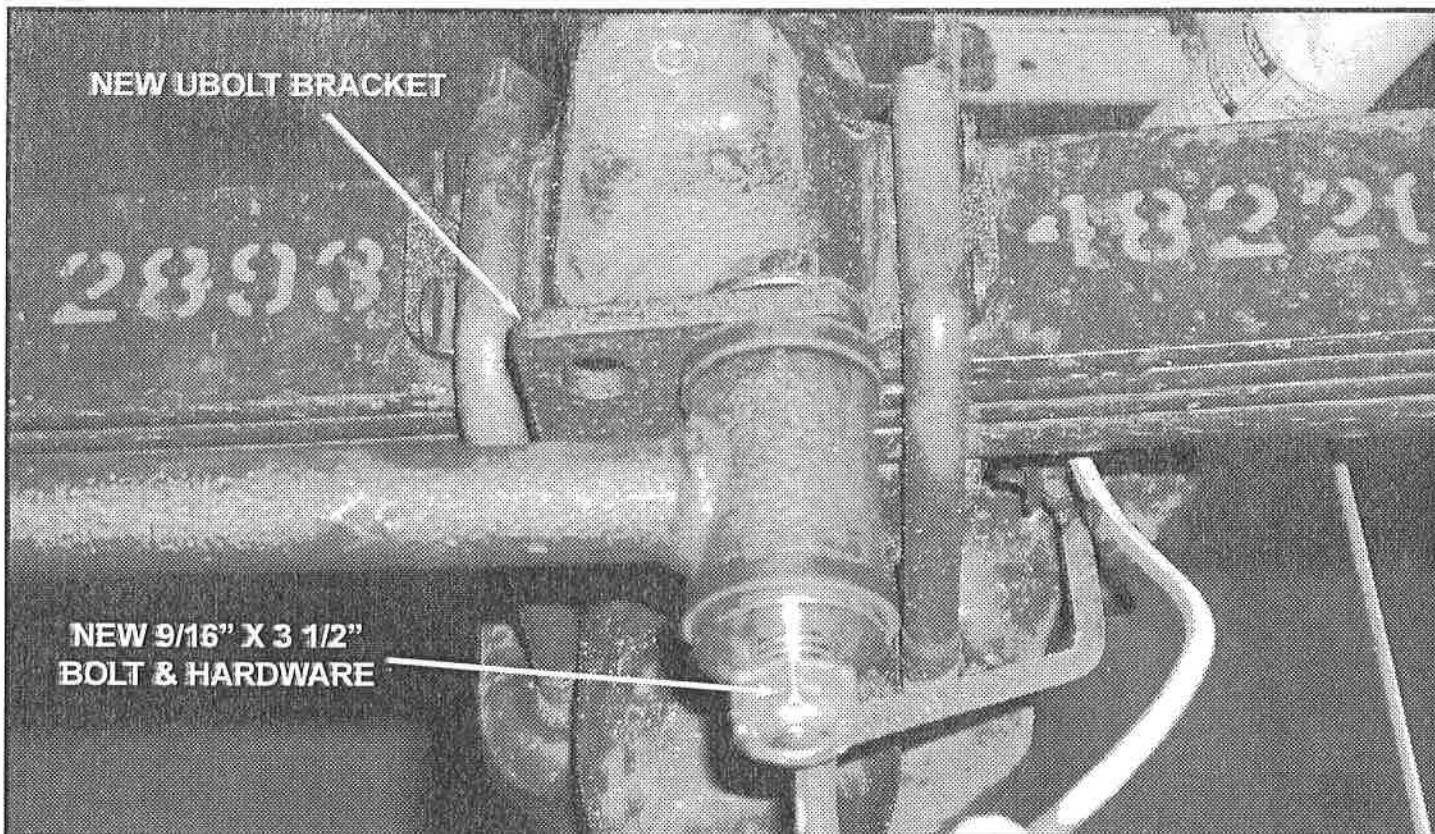


PHOTO # 3