

Input Voltage	Controller Max Load
12V DC	6 amps (3 amps per zone)

Warranty and Disclaimer

Within THREE years after the purchase date, the original buyer may return any XKchrome controller that has failed due to a defect in materials or workmanship. LED whips that have one or more LEDs fail to illuminate due to a defect in materials or workmanship are covered with a THREE year warranty for **the original buyer**.

Installation of this product must be performed by a licensed professional. Should the failure of the product be the result of damage occurring as a result of improper installation, alteration of the product or an act or omission on the part of the consumer, this warranty is void. XKGLOW Lighting shall not be responsible for any consequential damages which arise from the use and/or installation of the product. If the kit is installed in any manner other than specified, XKGLOW Lighting reserves the right to deny any warranty claims at the discretion of the technical support department. Any product return must include the original packaging, invoice number and a statement of the alleged defect. Upon receipt of the returned product, the company will test the product for defect. If the results of the testing do not support the warranty claim, do not reveal any defect or indicate consumer negligence in the installation and handling of the product, then the product will be returned to you and you will be charged a reshipping fee. If the product is returned from an address within the continental United States, within the first 30 days after purchase, and is found to be defective, XKGLOW Lighting will exchange or refund the original purchase expense. This offer does not extend to the cost for shipping charges on any international packages.

Additional Disclaimer Terms

Please check your local and state laws for the proper use of this product.

- Improper installation of electrical products such as lighting may cause damage to any vehicle or device to which the improperly handled or installed lighting is attached.
- Improperly installed product may cause electrical injury to persons.
- It is recommended that the kit should be installed by a licensed professional.
- XKGLOW assumes no liability for the installation of the product.
- Warranty or liability will not exceed the product purchase price, which shall be buyer's sole and exclusive remedy.

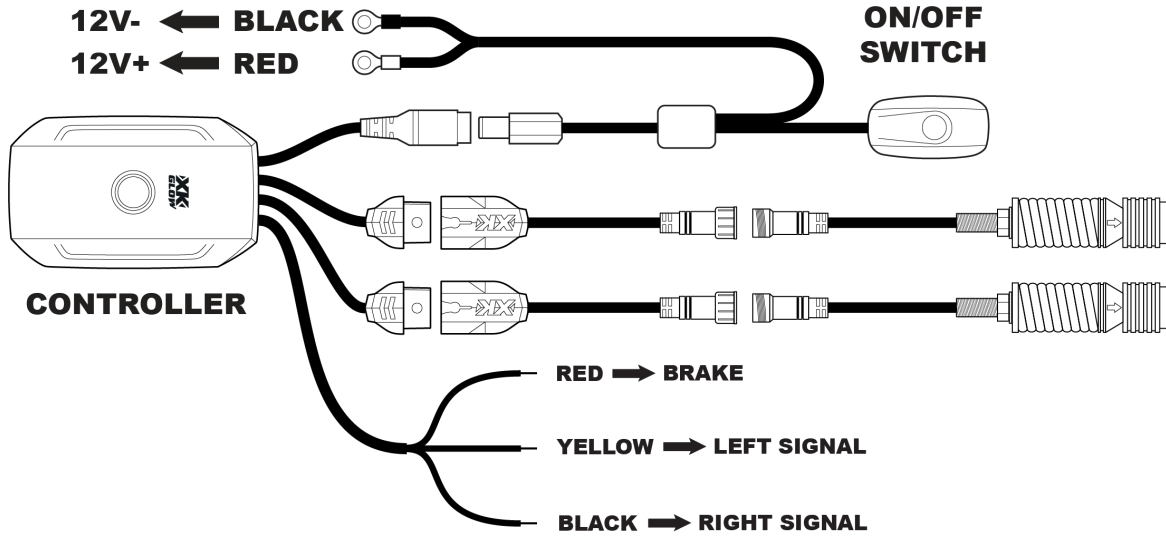
Return/Exchange Procedure

1. Email [xk@xkglow.com] to notify us of the product issue as well as the item number and name of customer on invoice.
2. We will send you the trouble-shooting guide to fix the issue, or to narrow down which of the component(s) need to be replaced. If the issue still exists, we will ask you to send back the defective items to be replaced.
3. Please send the returned item as instructed, along with claims and a telephone number where you can be reached.
4. After the returned item(s) have been accepted and inspected, we will issue a refund or replace the items ASAP. For refunds, item(s) must be sent to XKGLOW within 14 days from date of purchase. Original shipping charges are not refundable.

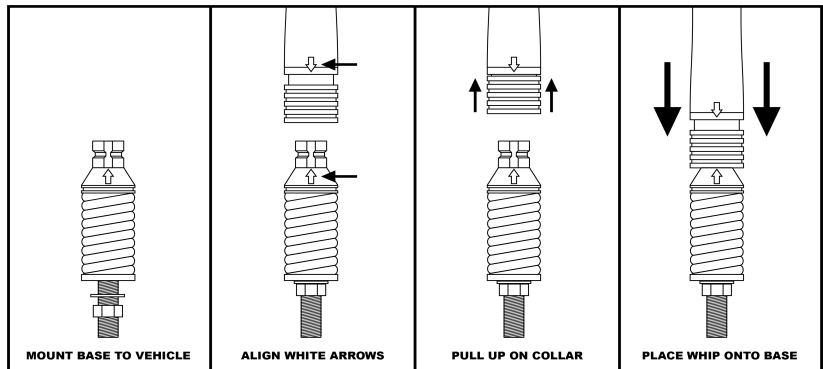
We always stand behind our products and are committed to our customers! For questions you may have, please contact xk@xkglow.com. We normally respond within 24 hours. (Monday-Friday).

Mounting Instructions

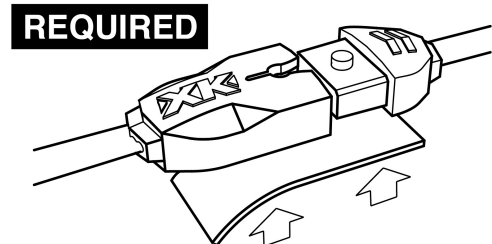
- Test all components before mounting:** As shown below, plug ALL light units together and connect them to the controller and the switch wiring harness. Connect the RED battery terminal to the POSITIVE pole of 12V DC battery. Connect the BLACK battery terminal to the NEGATIVE pole. Turn on the switch and push the touch button to test the WHIP/S. If the lights show any defects, please contact us and we will be happy to replace them for you.



- Route wiring:** Secure controller in safe, accessible location. Plug in adapter wire/s and route to the rear of the vehicle.
- Mount whip:** Using the supplied hardware, mount the base of the LED whip to the vehicle and plug in to the adapter wire. To connect the whip, align the WHITE arrow on the base to the WHITE arrow on the LED whip. While pulling up on the collar of the LED whip, push the LED whip onto the base and release the collar. See diagram below. To remove, simply pull up on the collar to release the LED whip.



- OPTIONAL: Connect sensor wires:** This step will allow the LED Whips to flash amber when your turn signal is activated and turn red when the brake is applied. Please check service manual specific to your make and model to verify wires. Tap the RED sensor wire into the positive brake wire. This will turn the lights red automatically when the brake is on. Tap the YELLOW wire into the LEFT side turn signal positive wire. Finally, tap the BLACK wire into the RIGHT turn signal positive wire. The yellow and black wire will control the turn signal functions.
- Secure all wires and connectors:** Use zip ties to neatly mount and hide any loose wires. Use 3M double side tape to hold male and female plugs together. Make sure wires are not touching anything hot or located on moving parts. Locate the ON/OFF switch in a convenient location.
- Connect to 12V DC power:** Firmly connect the wire terminals to the positive and negative poles of the battery. Power on, download the **XKchrome** App, and enjoy!



Attach 3M tape to the back of both plugs



Please note: There are multiple XKGLOW apps on the App Store. Only the XKchrome App will work with the XKchrome Bluetooth Controller. The App icon is pictured here.