

Input Voltage	Controller Max Load	Controller Size
12V DC	3 amps	1.75" x 0.8" x 0.35" (44.5mm x 20mm x 9mm)

Warranty and Disclaimer

Within One year after the purchase date, the original buyer may return any XKchrome controller that has failed due to a defect in materials or workmanship.

Installation of this product must be performed by a licensed professional. Should the failure of the product be the result of damage occurring as a result of improper installation, alteration of the product or an act or omission on the part of the consumer, this warranty is void. XKGLOW Lighting shall not be responsible for any consequential damages which arise from the use and/or installation of the product. If the kit is installed in any manner other than specified, XKGLOW Lighting reserves the right to deny any warranty claims at the discretion of the technical support department. Any product return must include the original packaging, invoice number and a statement of the alleged defect. Upon receipt of the returned product, the company will test the product for defect. If the results of the testing do not support the warranty claim, do not reveal any defect or indicate consumer negligence in the installation and handling of the product, then the product will be returned to you and you will be charged a reshipping fee. If the product is returned from an address within the continental United States, within the first 30 days after purchase, and is found to be defective, XKGLOW Lighting will exchange or refund the original purchase expense. This offer does not extend to the cost for shipping charges on any international packages.

Additional Disclaimer Terms

Please check your local and state laws for the proper use of this product.

- Improper installation of electrical products such as lighting may cause damage to any vehicle or device to which the improperly handled or installed lighting is attached.
- Improperly installed product may cause electrical injury to persons.
- It is recommended that the kit should be installed by a licensed professional.
- XKGLOW assumes no liability for the installation of the product.
- Warranty or liability will not exceed the product purchase price, which shall be buyer's sole and exclusive remedy.

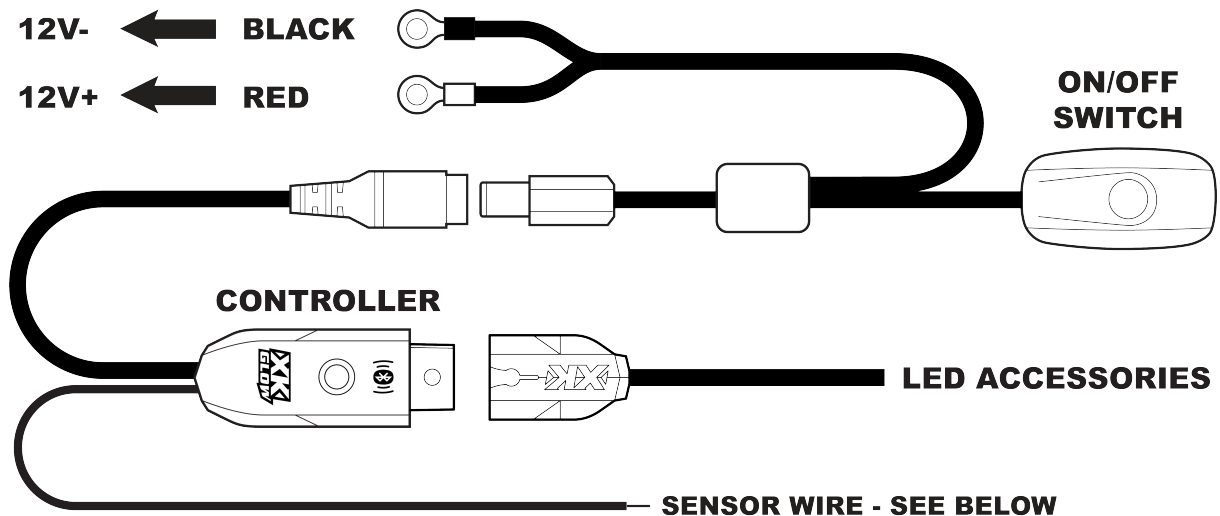
Return/Exchange Procedure

1. Email [xk@xkglow.com] to notify us of the product issue as well as the item number and name of customer on invoice.
2. We will send you the trouble-shooting guide to fix the issue, or to narrow down which of the component(s) need to be replaced. If the issue still exists, we will ask you to send back the defective items to be replaced.
3. Please send the returned item as instructed, along with claims and a telephone number where you can be reached.
4. After the returned item(s) have been accepted and inspected, we will issue a refund or replace the items ASAP. For refunds, item(s) must be sent to XKGLOW within 14 days from date of purchase. Original shipping charges are not refundable.

We always stand behind our products and are committed to our customers! For questions you may have, please contact xk@xkglow.com. We normally respond within 24 hours. (Monday-Friday).

Install Instructions

1. **Test controller before mounting:** As shown below, connect the 2 ring terminals to the battery. The black is the negative wire and the red is the positive wire. Plug the controller into the switch and power the ON/OFF switch ON. A blue led should light up on the switch. If the controller does not power on, please contact us for troubleshooting.



2. **Connect the lights:** As shown above, connect your LED accessories to the controller. Use 1 to 3 splitter (XK-4P-SPLIT) to reach multiple accessories.
3. **Connect sensor wire to 12V:** Connect the RED sensor wire to a 12V source. This is a user definable function controlled via the XKchrome App. Example- If you would like all of your LEDs to turn red when you brake, tap the sensor wire into the positive brake wire.
4. **Secure all wires and connectors:** Use zip ties and wire clips to neatly mount and hide any loose wires. Use double sided tape to hold male and female plugs together. Make sure wires are not touching anything hot or located on moving parts. Locate the ON/OFF switch in a convenient location.
5. **Connect to 12V DC power:** Firmly connect the wire terminals to the positive and negative poles of the battery. Plug the controller into the power wire harness. Power on, download the **XKchrome** App, and enjoy!



Please note: There are multiple XKGLOW apps on the App Store. Only the XKchrome App will work with the XKchrome Bluetooth Controller. The App icon is pictured here.