

Warranty and Disclaimer

All XKGLOW Brackets come with a Limited Lifetime structural warranty to the original purchaser. Within **one year** after the purchase date, the original buyer may return any XKGLOW products that have any finish imperfections due to a defect in materials or workmanship. Finish imperfections from impacts to the piece such as rock chips or abrasions will not be considered defective. Installation of this product must be performed by a licensed professional. Should failure of the product be the result of damage occurring because of improper installation, alteration of the product or an act or omission on the part of the consumer, this warranty is void. XKGLOW Lighting shall not be responsible for any consequential damages which arise from the use and/or installation of the product. If the kit is installed in any manner other than specified, XKGLOW Lighting reserves the right to deny any warranty claims at the discretion of the technical support department. Any product return must include the original packaging, invoice number and a statement of the alleged defect. Upon receipt of the returned product, the company will test the product for defect. If the results of the testing do not support the warranty claim, do not reveal any defect, or indicate consumer negligence in the installation and handling of the product, then the product will be returned to you, and you will be charged a reshipping fee. If the product is returned from an address within the continental United States, within the first 30 days after purchase, and is found to be defective, XKGLOW Lighting will exchange or refund the original purchase expense. This offer does not extend to the cost for shipping charges on any international packages.

Additional Disclaimer Terms

Please check your local and state laws for the proper use of this product.

- Improper installation of electrical products such as lighting may cause damage to any vehicle or device to which the improperly handled or installed lighting is attached.
- Improperly installed product may cause electrical injury to persons.
- It is recommended that the kit should be installed by a licensed professional.
- XKGLOW assumes no liability for the installation of the product.
- Warranty or liability will not exceed the product purchase price, which shall be buyer's sole and exclusive remedy.

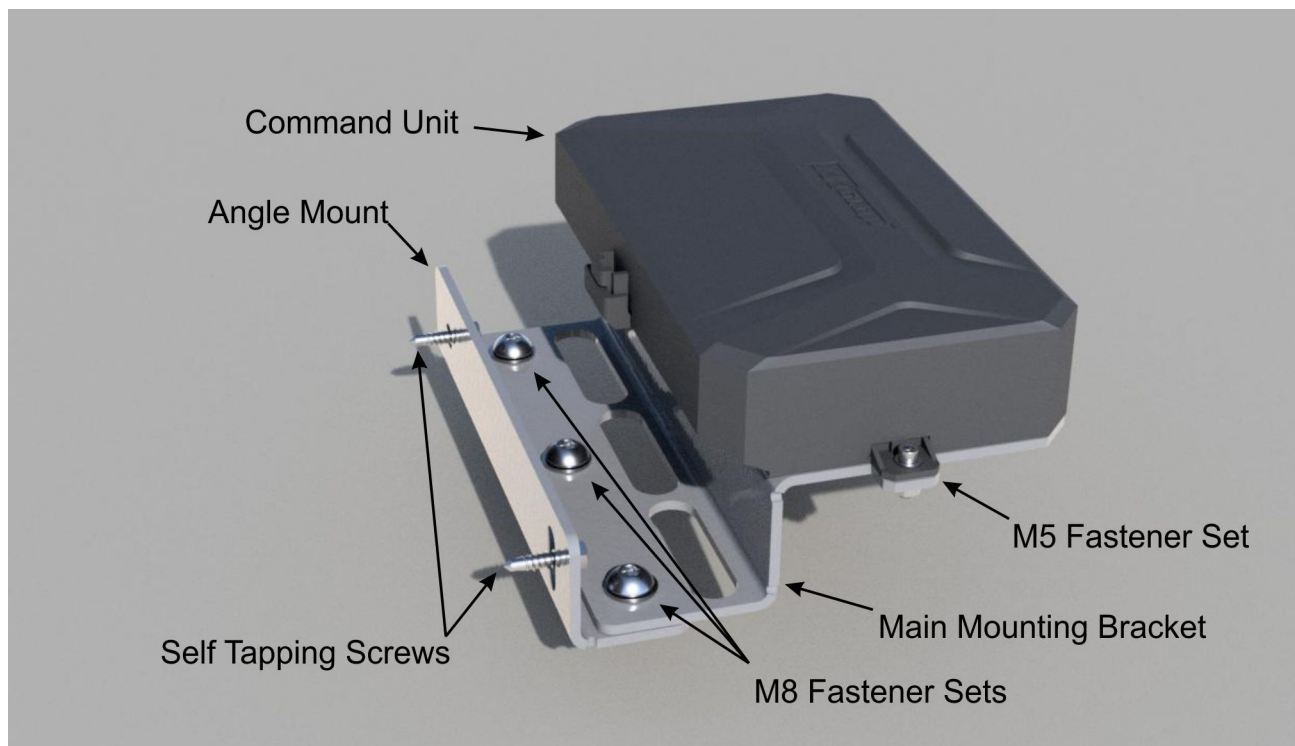
Return/Exchange Procedure

1. Email [xk@xkglow.com] to notify us of the product issue as well as the item number and name of customer on invoice.
2. We will send you the trouble-shooting guide to fix the issue, or to narrow down which of the component(s) need to be replaced. If the issue still exists, we will ask you to send back the defective items to be replaced.
3. Please send the returned item as instructed, along with claims and a telephone number where you can be reached.
4. After the returned item(s) have been accepted and inspected, we will issue a refund or replace the items ASAP. For refunds, item(s) must be sent to XKGLOW within 30 days from date of purchase. Original shipping charges are not refundable.

We always stand behind our products and are committed to our customers! For questions you may have, please contact xk@xkglow.com.

Package Description -

- 1 – (2) M5 button cap fasteners with nylock nuts to mount the XK Command module to the bracket.
- 2 – (3) M8 Fastener set includes (1) M8 button cap bolt, (2) M8 flat washers, and (1) M8 nut. These fastener sets will secure the main bracket to the surface mounting angle.
- 3 – (2) Hex head self-tapping screws. These will be used to secure the bracket to the surface of your choice. (Notice the slotted hole on one side of the angle mount, this will allow you to adjust the bracket so it will sit level)



Installation -

1. Fully assemble the bracket and test fit it in the area you plan to install it.
2. Once clearance is verified install the angle mount to the desired location using the two self-tapping screws.
3. Once the angle mount is installed, attach the main mounting bracket to the angle using the (3) M8 fastener sets. Once everything is adjusted and tightened install the command unit using the (2) M5 fastener sets.