



## M-5230-MSVTCD Mustang GT with GT500 Quad Tip Exhaust INSTALLATION INSTRUCTIONS

NO PART OF THIS DOCUMENT MAY BE REPRODUCED WITHOUT PRIOR AGREEMENT AND WRITTEN PERMISSION OF FORD RACING PERFORMANCE PARTS.

Please visit [www.fordracingparts.com](http://www.fordracingparts.com) for the most current instruction information

**!!! PLEASE READ ALL OF THE FOLLOWING INSTRUCTIONS CAREFULLY PRIOR TO INSTALLATION. AT ANY TIME YOU DO NOT UNDERSTAND THE INSTRUCTIONS, PLEASE CALL THE FORD RACING TECHLINE AT 1-800-367-3788 !!!**

### OVERVIEW:

THE USE OF A FLOOR HOIST IS RECOMMENDED FOR THIS INSTALLATION. IF YOU DO NOT HAVE ACCESS TO ONE, USE A HYDRAULIC FLOOR JACK AND JACK STANDS TO RAISE THE VEHICLE.

**!!! CAUTION: JACK STANDS MUST BE USED ON A LEVEL SURFACE AND BE SECURELY SEATED. FAILURE TO DO SO MAY RESULT IN PERSONAL INJURY OR VEHICLE DAMAGE !!!**

### KIT INCLUDES:

<u>Item #</u>	<u>Description</u>	<u>Qty</u>
DR3Z-17F828-AB	Bumper Extension	1
DR3Z-5230-L	RH GT500 Muffler	1
DR3Z-5230-M	LH GT500 Muffler	1
W707291S439	Nut (M4.2)	2
W712919S900	Screw (M4.2 x 25mm)	2
W705436S300	Push Pin (6 x 18mm)	2
W716237S300	Retainer	2
YL8413B519HCA	Clip	2
W709984S300	Rivet Push Pin	4
BR3Z-5A231-C	Muffler clamp	2
W711331-S439	Bolt, lateral stiffener	2

### BUMPER COVER – REAR REMOVAL:

**STEP 1:** Raise and support vehicle.

**STEP 2:** Remove tail lights from vehicle.

#### **Tail Light Removal**

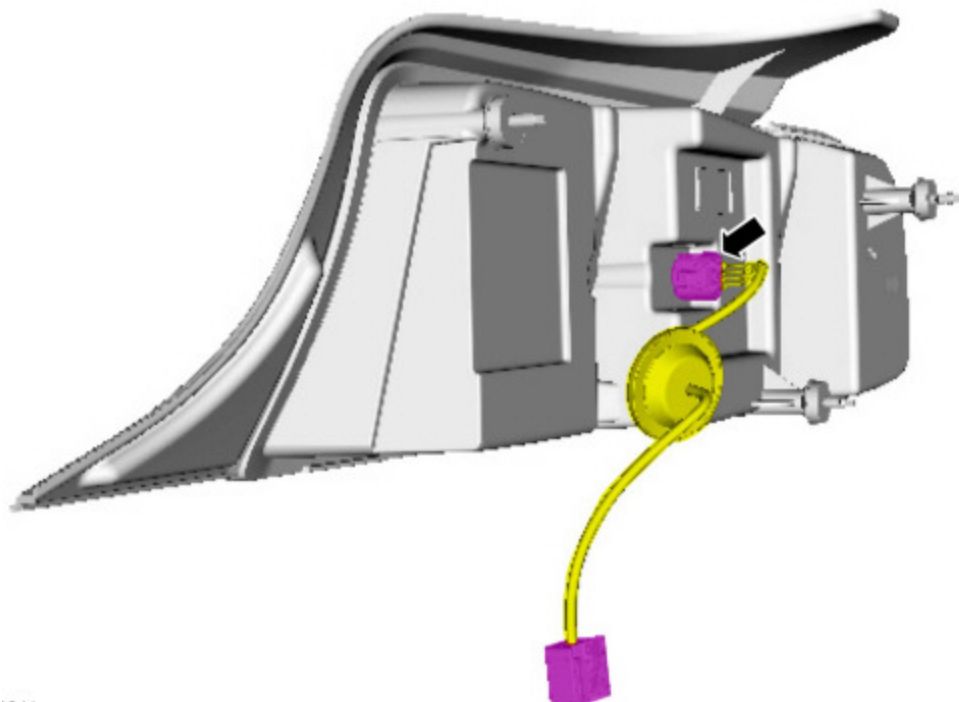
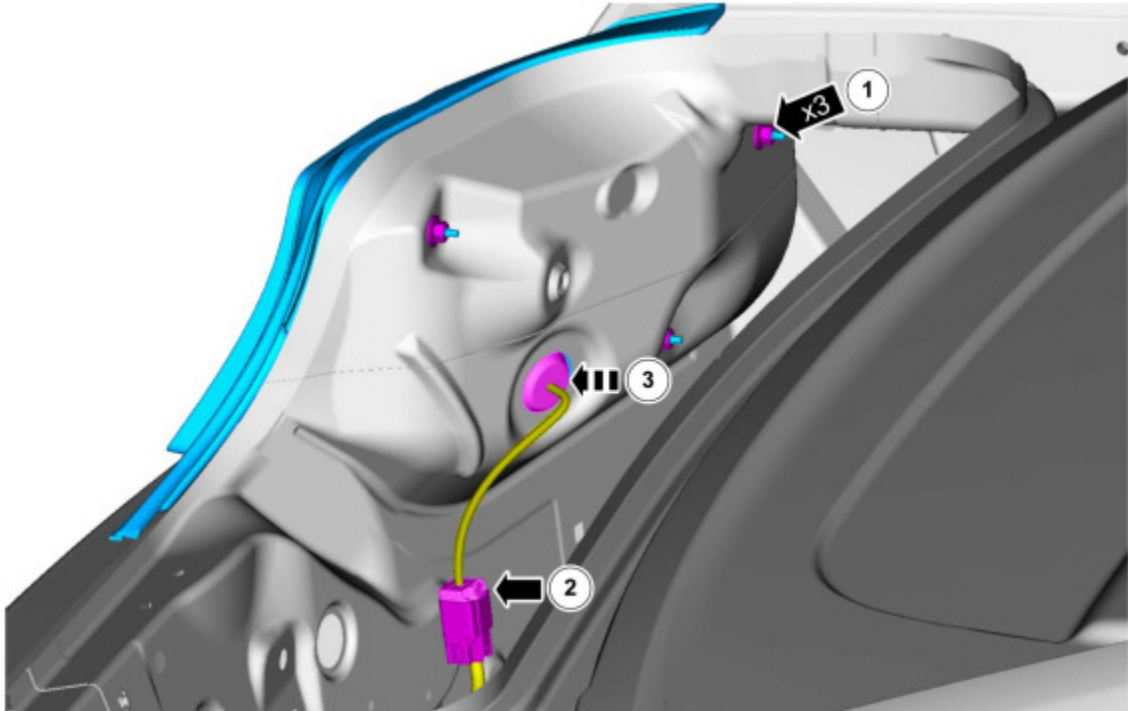
**STEP 2A:** Remove the rear luggage compartment scuff plate.

**STEP 2B:** Position the luggage compartment side trim panel aside.

Factory Ford shop manuals are available from Helm Publications, 1-800-782-4356

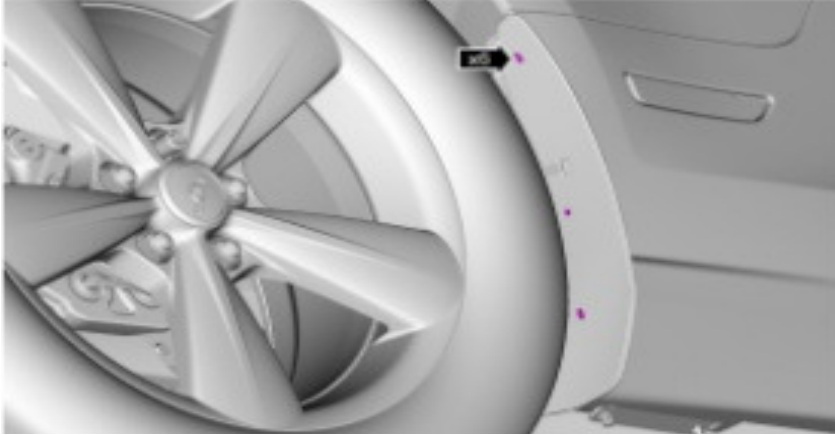
**M-5230-MSVTC**  
**Mustang GT with GT500 Quad Tip Exhaust**  
**INSTALLATION INSTRUCTIONS**

- STEP 2C:** Feed the wiring harness through the rear of the vehicle.
- To install, reverse the removal procedure and tighten to 6 Nm (53 lb-in).

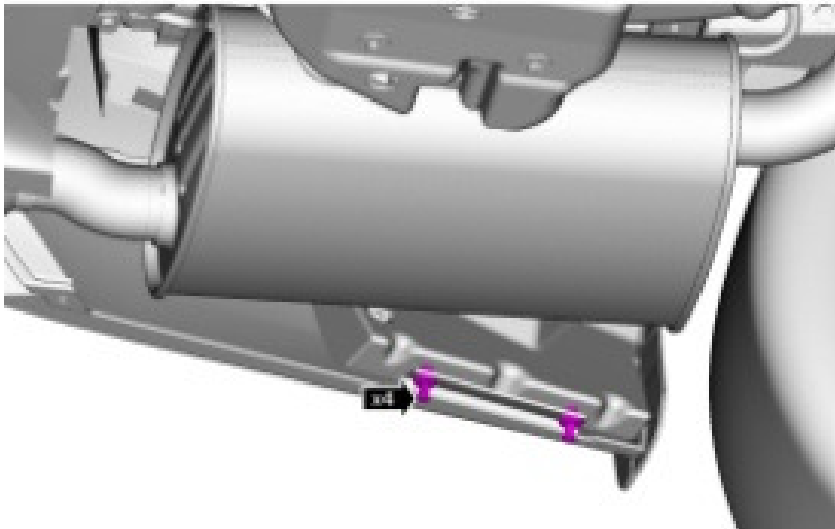


Factory Ford shop manuals are available from Helm Publications, 1-800-782-4356

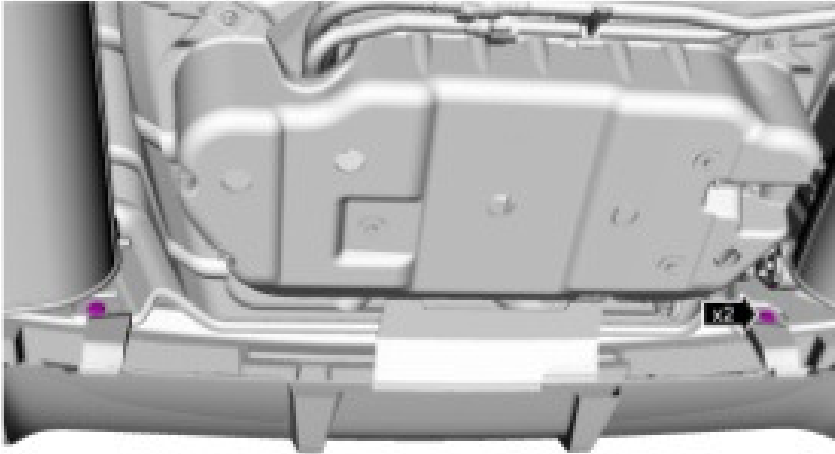
- STEP 3:** Three on each side. (x6)
- To install, tighten to 3.2 Nm (28 lb-in).



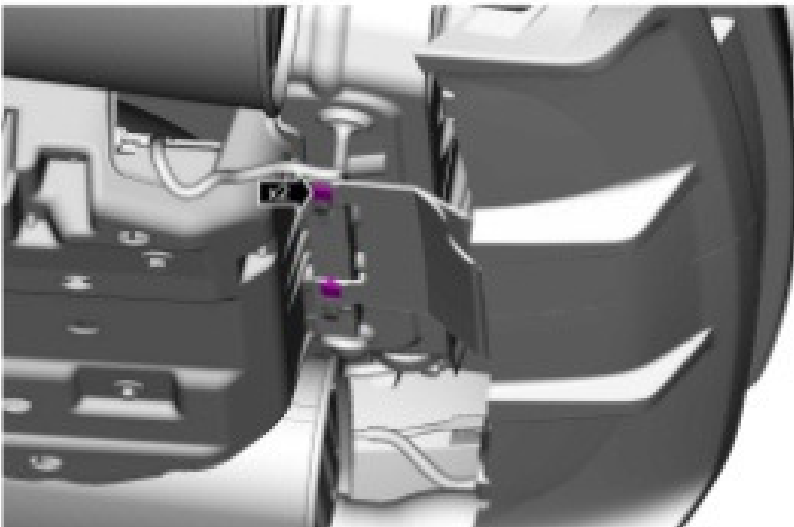
- STEP 4:** Two on each side. (x4)



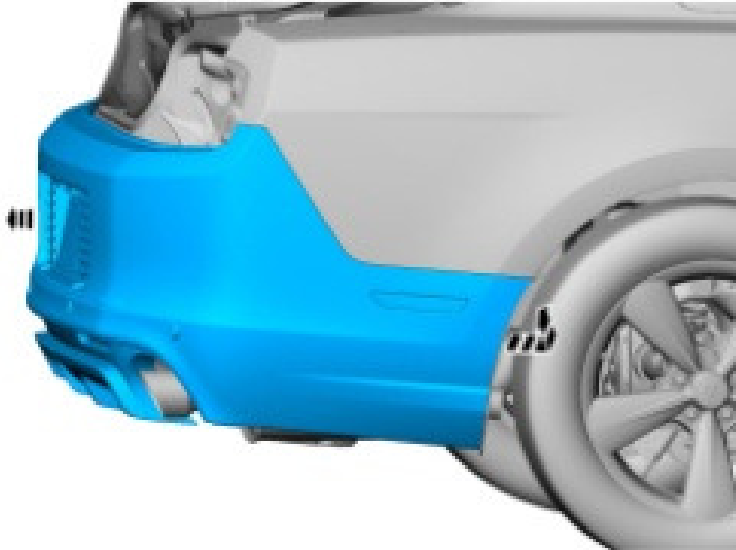
**STEP 5:** Remove push pins. (X2)



**STEP 6:** Remove push pins. (X2)



- STEP 7:** Remove rear bumper cover.
- To install, reverse the removal procedure.



**MUFFLER REMOVAL:**

**WARNING:** Do not use petroleum-based lubricants on the isolators. It may cause deterioration of the rubber.

**NOTE:** Discard the ball clamp after removal.

**STEP 1:** With the vehicle in NEUTRAL, position it on a hoist. Loosen the ball clamp and separate the intermediate pipe from the muffler inlet.

**STEP 2:** Remove the two bolts from the Lateral Stiffener Bar and swing down for clearance. (See Figures below)



**NOTE:** Lubricate the muffler assembly isolators with soapy water to ease in removal.

**STEP 3:** Un-bolt the muffler assembly rear isolator and slide the muffler assembly 2 hooks out of the front isolator.

- Remove the muffler assembly from the vehicle.

**STEP 4:** Remove and discard the ball clamp.

**MUFFLER INSTALLATION:**

**STEP 1:** Position new ball clamp on the muffler assembly.

**NOTE:** Lubricate the muffler assembly isolators with soapy water to ease in installation.

**STEP 2:** Slide the muffler assembly 2 hooks into the front isolator and then attach the rear isolator.

**STEP 3:** Install two new bolts into Lateral Stiffener Bar and Tighten to 62 Nm (46 lb-ft)

**STEP 4:** Tighten the new intermediate pipe-to-muffler inlet ball clamp.

- Tighten to 30 Nm (22 lb-ft).

**Rear Bumper Cover Modifications**

**STEP 1:** Following the molded in line, trace inside of lower bumper cover with white paint pen. (See figures 1, 2 and 3)



**Trace this line on inside of bumper cover.**



**Figure 1**



**Figure 2**



**Figure 3**



**STEP 2:** Cut along trace line with air saw and de-burr after cutting. (See figures 4,5,6 and 7)



**Figure 4**



**Figure 5**



**Figure 6**



**Figure 7**

**STEP 3:** Remove snap in fascia and rear reflectors. (See figures 8, 9 and 10)



**Figure 8**



**Figure 9**



**Figure 10**

Factory Ford shop manuals are available from Helm Publications, 1-800-782-4356

**STEP 4:** Outline clip locations (x9) with white paint pen, on inside of rear bumper cover. (See Figures 11 and 12)



**Figure 11**



**Figure 12**

**STEP 5:** Drill out clip locations and deburr (x9). (See figures 13,14,15,16 and 17)

**WARNING:** High speed grinders will melt bumper cover material!



**Figure 13**



**Figure 14**



**Figure 15**



**Figure 16**





**Figure 17**

**STEP 6:** Reinstall rear bumper. Refer to instructions on pages 3 - 5.

**STEP 7:** Install tail lights. Refer to instructions on pages 1 and 2.

**STEP 8:** Snap in rear fascia and rear reflectors. (See figure 18)



**Figure 18**

**STEP 9:** Install 2 bolts (right and left hand side of rear quarter panel). (See figure 19)



**Figure 19**



**M-5230-MSVTCD  
Mustang GT with GT500 Quad Tip Exhaust  
INSTALLATION INSTRUCTIONS**

**STEP 10:** Lower vehicle.



**Completed Vehicle**

Factory Ford shop manuals are available from Helm Publications, 1-800-782-4356