

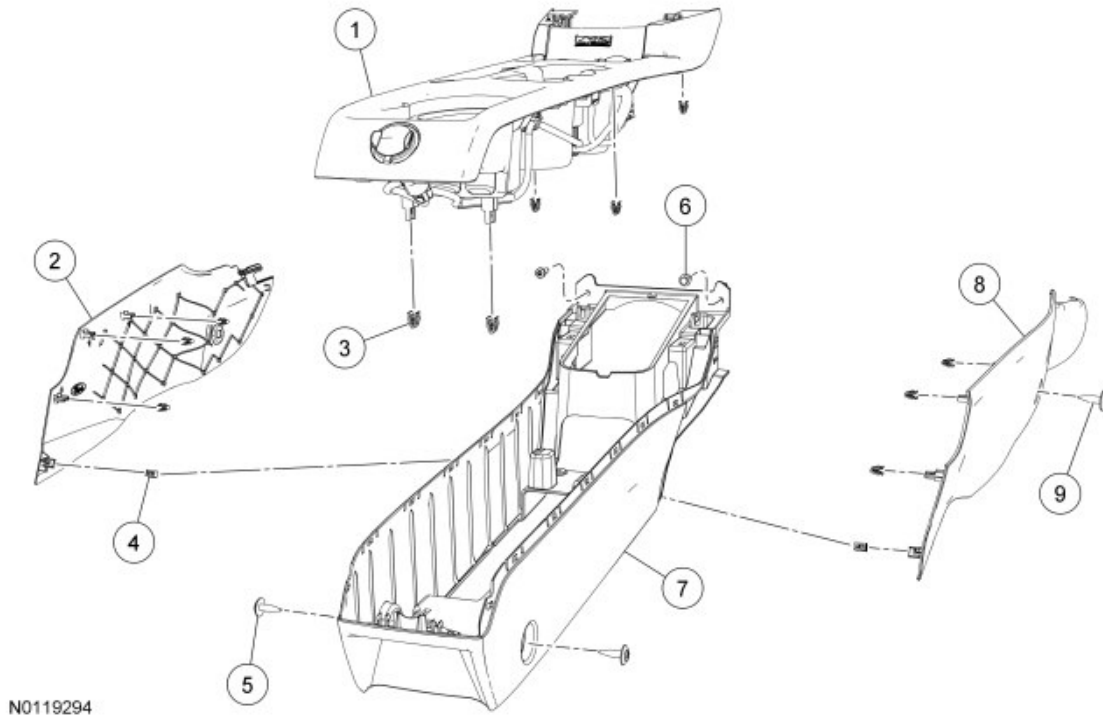


M-7210-FA Ford Fiesta Short Throw Shifter INSTRUCTION SHEET

NO PART OF THIS DOCUMENT MAY BE REPRODUCED WITHOUT PRIOR AGREEMENT AND WRITTEN PERMISSION OF FORD RACING PERFORMANCE PARTS

Please visit www.fordracingparts.com for the most current instruction information

**!!! PLEASE READ ALL OF THE FOLLOWING INSTRUCTIONS CAREFULLY PRIOR TO INSTALLATION.
AT ANY TIME YOU DO NOT UNDERSTAND THE INSTRUCTIONS, PLEASE CALL THE FORD RACING TECH
LINE AT (800) 367-3788 !!!**



N0119294

Item	Description
1	Floor console finish panel
2	RH floor console side panel
3	Floor console finish panel clips (6)
4	Floor console side panel clips (4)
5	Floor console rear screws (2)
6	Floor console front screws (2)
7	Floor console assembly
8	LH floor console side panel
9	Side panel push pin (2)

Tech Line (800) 367-3788

Factory Ford shop manuals are available from Helm Publications, 1-800-782-4356

IS-1850-0204



M-7210-FA Ford Fiesta Short Throw Shifter INSTRUCTION SHEET

NO PART OF THIS DOCUMENT MAY BE REPRODUCED WITHOUT PRIOR AGREEMENT AND WRITTEN PERMISSION OF
FORD RACING PERFORMANCE PARTS

GEARSHIFT LEVER

REMOVAL:

- STEP 1:** Set parking brake
- STEP 2:** Place shifter in neutral
- STEP 3:** Remove shifter cover/heater control faceplate. Gently pull up on rear of shifter cover/faceplate. It is retained by push in clips.
- STEP 4:** After the shifter cover/faceplate is free of console, gently pull straight back freeing it from the dash around the heater controls. Disconnect any wires.



- STEP 5:** Remove console side panels #2 and #8 by removing the push pins at the front of the panels. Pull rear of panels to free the push in clips. Set panels aside.

Tech Line (800) 367-3788

Factory Ford shop manuals are available from Helm Publications, 1-800-782-4356

IS-1850-0204



M-7210-FA Ford Fiesta Short Throw Shifter INSTRUCTION SHEET

NO PART OF THIS DOCUMENT MAY BE REPRODUCED WITHOUT PRIOR AGREEMENT AND WRITTEN PERMISSION OF FORD RACING PERFORMANCE PARTS



STEP 6: Remove shifter boot by unscrewing the shifter knob. Lift shifter boot at base freeing it from console.

STEP 7: Remove console bolts #5 and #6. Unplug any electrical connectors at front sides of console. This allows you to shift console back and lift the front of it to gain access to shifter.

NOTE: Floor console finish panel item #1 is not removed from Floor console assembly item #7 during installation of the shifter.



Tech Line (800) 367-3788

Factory Ford shop manuals are available from Helm Publications, 1-800-782-4356

IS-1850-0204



M-7210-FA Ford Fiesta Short Throw Shifter INSTRUCTION SHEET

NO PART OF THIS DOCUMENT MAY BE REPRODUCED WITHOUT PRIOR AGREEMENT AND WRITTEN PERMISSION OF FORD RACING PERFORMANCE PARTS



STEP 8: Remove shifter cables from shift levers.

STEP 9: Remove shifter cables from base

Tech Line (800) 367-3788

Factory Ford shop manuals are available from Helm Publications, 1-800-782-4356

IS-1850-0204



M-7210-FA Ford Fiesta Short Throw Shifter INSTRUCTION SHEET

NO PART OF THIS DOCUMENT MAY BE REPRODUCED WITHOUT PRIOR AGREEMENT AND WRITTEN PERMISSION OF FORD RACING PERFORMANCE PARTS

STEP 10: Remove the 4 nuts retaining the shifter assembly. Lifting console provides better access to nuts.



STEP 11: Holding front of console up remove shifter out through side.



To install new shifter reverse procedure

After shifter and cables are installed, verify shifter operation before completely assembling console.

Tech Line (800) 367-3788

Factory Ford shop manuals are available from Helm Publications, 1-800-782-4356