

FLOWMASTER™

AMERICAN THUNDER™

SYSTEM #17367

1999-2004 FORD F-150 LIGHTNING

01/24/05

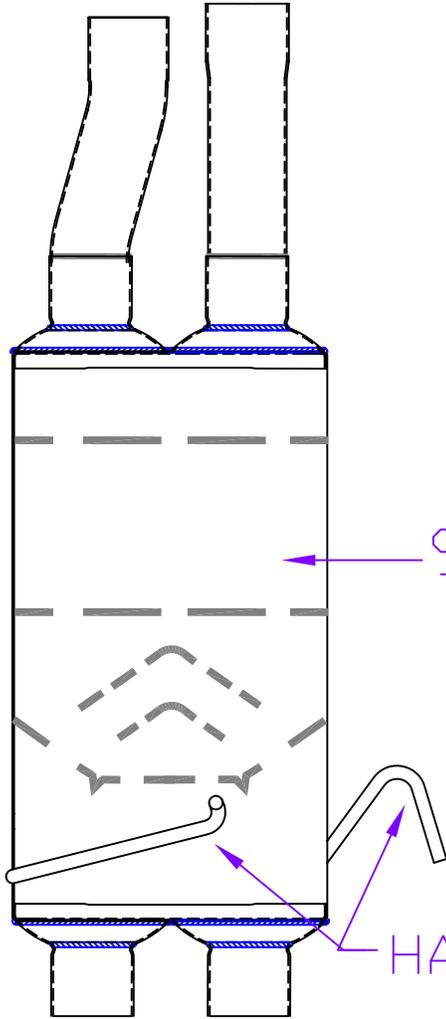
Removal:

1. Raise the vehicle and support securely with stands.
2. Support the muffler with a stand of some type, then using a 15mm socket wrench loosen the clamps holding inlet pipes behind the catalytic converter.
3. Then separate the three hanger rods from the rubber mounts on the vehicle. (A lubricant will make this easier). Remove the stock muffler assembly and set aside.

Installation:

1. Take two of the **#MC250R** ring clamps provided in the parts kit and slide them onto the expanded section of the inlet pipes. Then slide muffler assembly **#9525554-172** onto the back of the catalytic converter (same position as the stock assembly) and slide the hanger rods at the rear of the muffler into the rubber mounts on the vehicle.
2. Take the other two **#MC250R** ring clamps and slide them on the outlets of the muffler assembly. Then take exit pipe assembly **#16412** and slide into the outlets of the muffler assembly. Then slide the hanger rod on **#16412** into the rubber mount on the vehicle. Tighten clamps enough to hold but allow for adjustment.
3. Next take the two stainless tips **#ST339** and slide them onto the back of the exit pipe assembly **#16412**. Adjust and rotate to your desired location, and tighten hose clamp on tip to hold in place.
4. Check the position and fit around muffler assembly and exit pipes, you should maintain at least a ½” or better around all parts. Adjust if necessary and then tighten clamps down completely.
5. Tighten all clamped connections down securely. After the system is secure, slide the **7/16" hanger keepers** onto the end of the hangers welded to the muffler assembly and exit pipe assembly. These keepers will prevent the hangers from slipping out of the rubber mounts. We also recommend tack welding the stainless tips to the exit pipes to prevent possible loss due to slippage.

*FLOWMASTER AMERICAN THUNDER SYSTEM #17367
1999-2004 FORD F-150 LIGHTNING*



PACKING LIST

QTY.	PART#	DESCRIPTION
1	9525554-172	MUFFLER ASSY.
1	16412	EXIT PIPE ASSEM.
2	ST339	STAINLESS TIP
1	PK409	PART KIT
4	MC250R	2.5" RING CLAMPS
3	HW502	7/16" HANGER KEEPER

9525554-172

HANGER

16412

ST339

