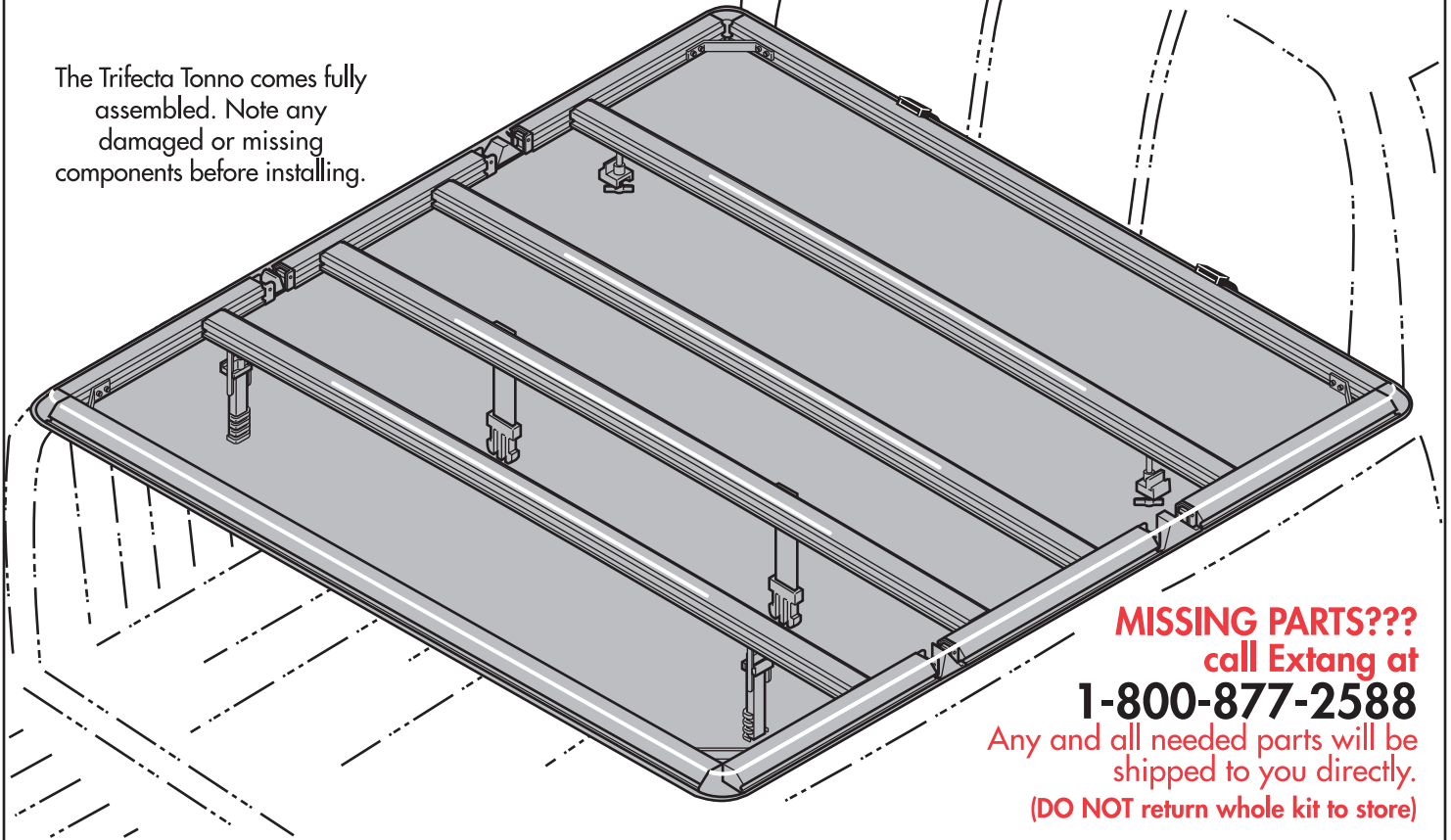


INSTALLATION SHEET

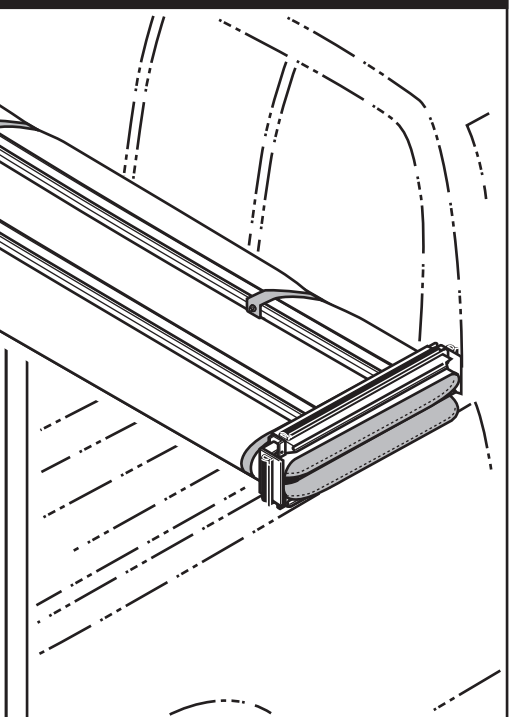
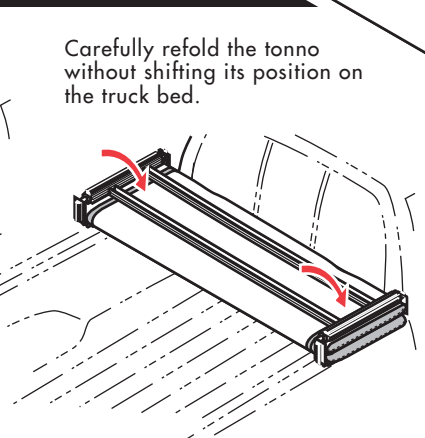
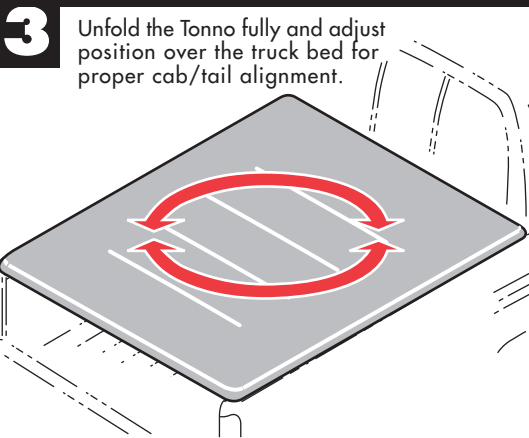
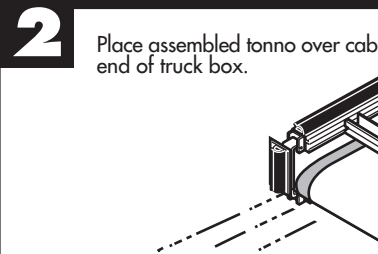
TRIFECTA™

extang
AMERICA'S BEST
SELLING TONNEAUS

The Trifecta Tonno comes fully assembled. Note any damaged or missing components before installing.



MISSING PARTS???
call Extang at
1-800-877-2588
Any and all needed parts will be
shipped to you directly.
(DO NOT return whole kit to store)

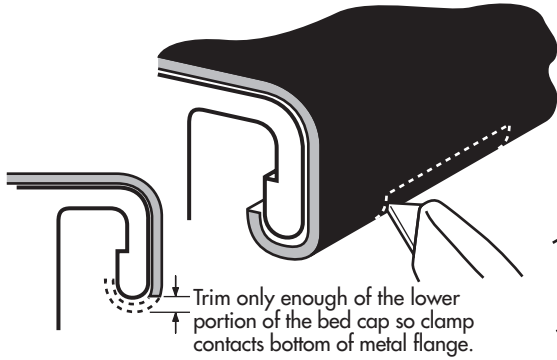


Extang Corporation
1901 E. Ellsworth Rd.
Ann Arbor, MI 48108
734 677-0444, Fax: 734 677-8409

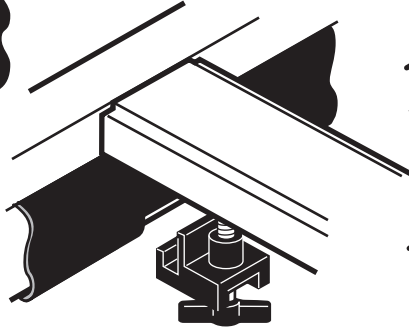
Register your warranty at:
www.extang.com
Item No. 0142-0409 RH Printed in U.S.A.

4

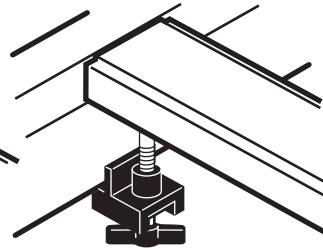
If your truck has a bed cap that covers the metal bed wall flange, you will need to remove enough of the cap so that the clamps make solid contact.



Trim only enough of the lower portion of the bed cap so clamp contacts bottom of metal flange.



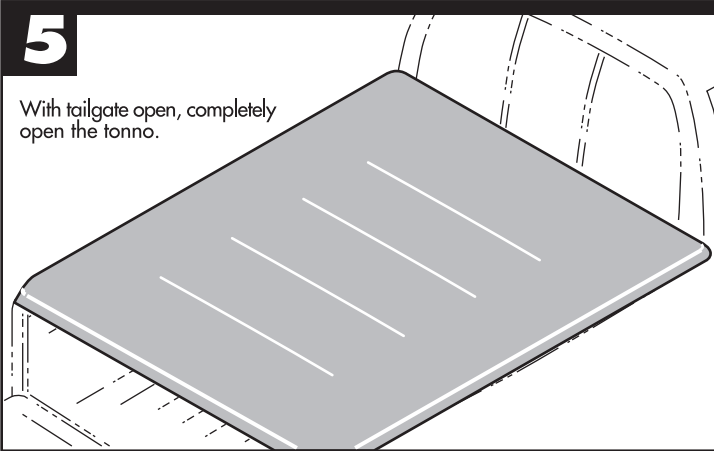
Ensure that clamp is positioned under the metal bed wall flange. Hand tighten until clamp contacts securely, then tighten an additional two turns.



Do not secure to only lip of bedliner or rail cap.
Do Not Use Wrench or Overtighten!

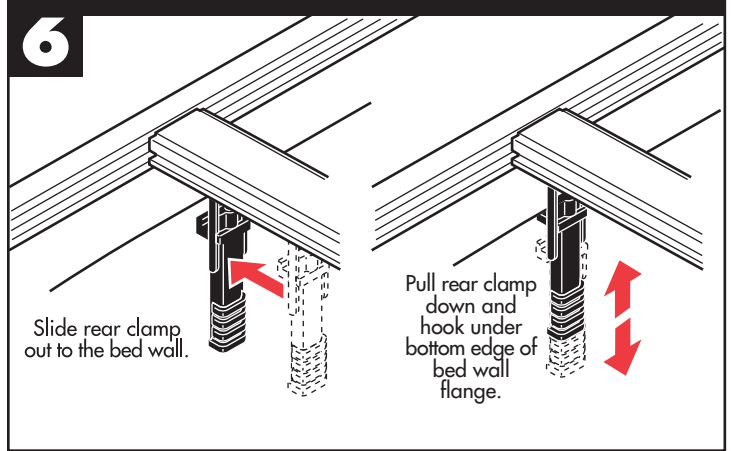
5

With tailgate open, completely open the tonno.



6

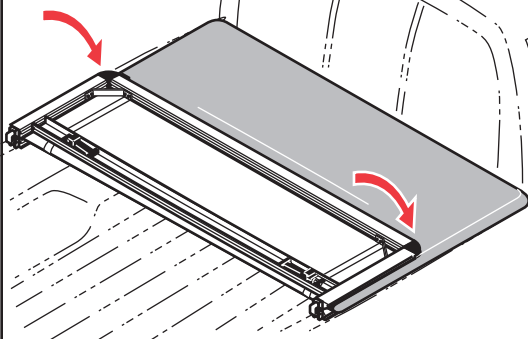
Slide rear clamp out to the bed wall.



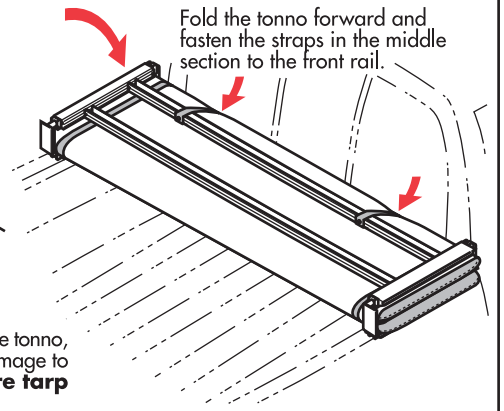
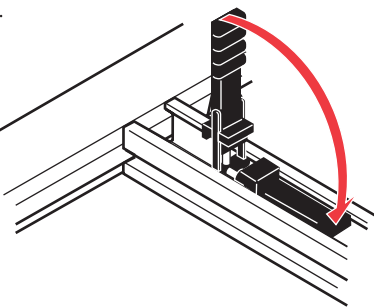
Pull rear clamp down and hook under bottom edge of bed wall flange.

7

It is very convenient to drive with the Trifecta Tonno open. Release the rear clamps and fold the tonno forward.



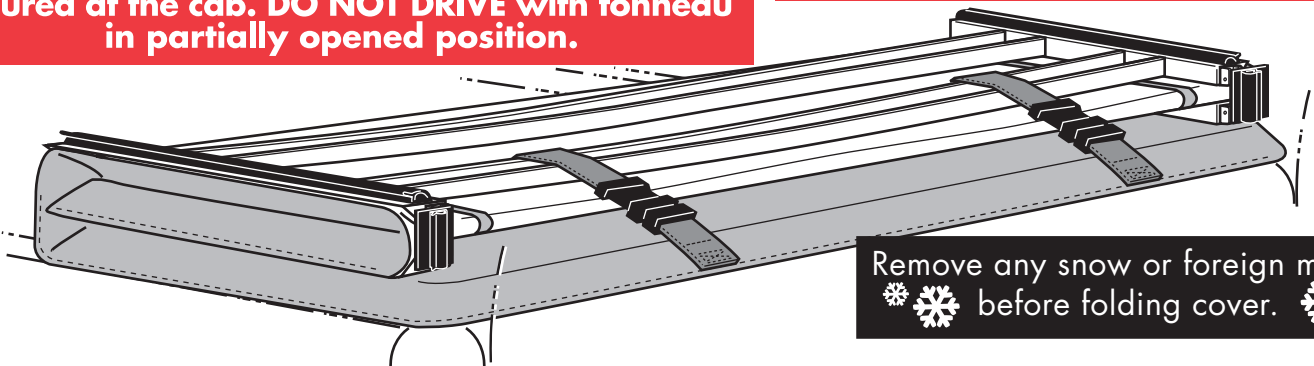
IMPORTANT: Before folding the second section of the tonno, rear clamps must be stowed into rail to prevent damage to fabric. **Failure to stow handle will puncture tarp and void warranty.**



Fold the tonno forward and fasten the straps in the middle section to the front rail.

IMPORTANT NOTICE
While driving, tonneau must be completely flat and secure with all four clamps in the closed position or completely folded up (all panels) and secured at the cab. **DO NOT DRIVE** with tonneau in partially opened position.

Note: Tarp cannot be removed from aluminum frame. Attempting to do so will cause damage and void the warranty.



Remove any snow or foreign matter before folding cover. ❄️ ❄️ ❄️