

©2001 Energy Suspension. All rights reserved.
May not be reproduced, in any form, or by any means,
without the written consent of Energy Suspension.

Removal

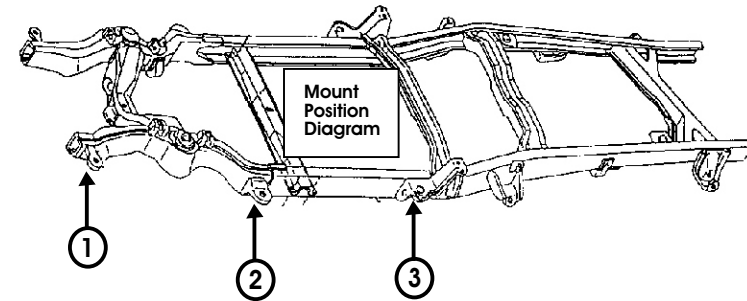
Spray all nuts to be removed generously with your favorite rust buster.

1. Loosen all body mounting bolts, but only remove one side at a time. Some mounts are accessed from the inside of the cab.
2. The front bumper must be removed before raising the body.
3. Install the new body mounts one side at a time with the bolts on the other side loosened only. (see diagram for assembly sequence)
4. Retorque to factory specs.

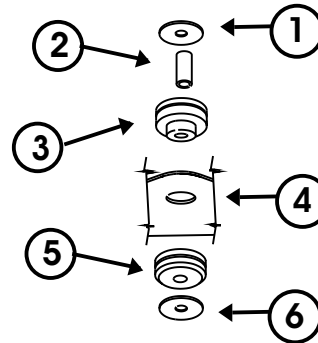
Note: When disassembling, note the quantity and positions of any shims that may have been inserted for body alignment. These shims will have to be reused to insure proper body alignment.

Important: Only raise body high enough to remove & replace mounts. Always watch the fan shroud for sufficient clearance when raising the body. When jacking the body use a long enough 2X4 or 4X4 for maximum support. Never put jack pad directly on body panels.

Instructions for Set # 8-4103

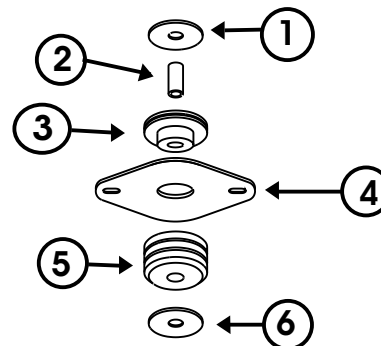


Parts Diagram
(refer below)



Position # 1

1. Supplied washer (2" O.D.)
2. Supplied sleeve (5/8"O.D. x 7/16"l.D. x 1.640")
3. Polyurethane bushing #4138
4. Frame perch
5. Polyurethane bushing #4139
6. Supplied washer (1-3/4"O.D. x 7/16"l.D.)



Position # 2 and # 3

1. Supplied washer (2 1/2" O.D.)
2. Supplied sleeve (3/4"O.D. x 1/2"l.D. x 1.900")
3. Polyurethane bushing #4136
4. Supplied adapter plate mounts on top of frame perch. Reuse factory bolts.
5. Polyurethane bushing #4137
6. Must reuse factory washer