

Instruction Sheet for Set#4-1123 & Set#4-1125

**ENERGY
SUSPENSION®**

1131 VIA CALLEJON, SAN CLEMENTE, CA 92673

Read entire instruction sheet before performing any work!

© 2003 Energy Suspension. All rights reserved.
May not be reproduced, in any form, or by any means,
without the written consent of Energy Suspension.

These are the instructions for set #4-1123.

Remove the two bolts holding the torque mount, remove the mount. Using a press, remove both the round shell and the smaller oval shell on the opposite side of the mount. Now press in the new replacement bushings 1132 and 1131 respectively. Be sure to install #1132 with cutout facing outside. Reinstall mount and tighten bolts to factory specifications. **Do not use grease when installing bushings, they are not designed to rotate.**

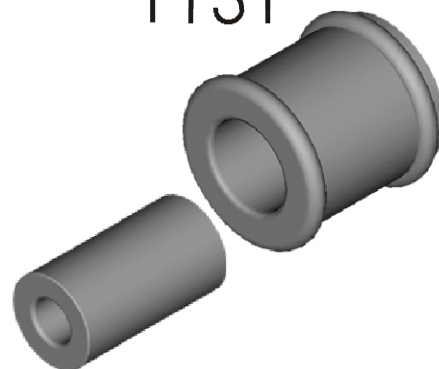
These are the instructions for set #4-1125.

Remove the two bolts holding the torque mount, remove the mount. Using your hands, press in the 1098 insert into the motor mount. Reinstall the torque mount and tighten bolts to factory specifications. **Do not grease the insert.**

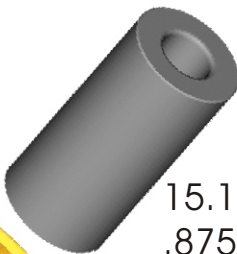
Motor Mount



1131

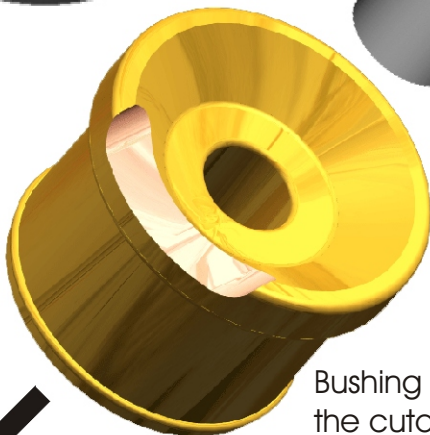


15.10.427.39
.875x.406x1.575

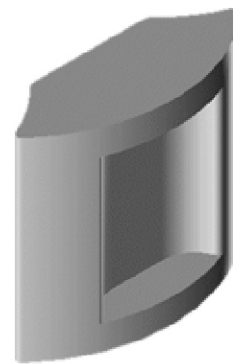


15.10.428.39
.875x.406x1.775

1132



Bushing #1132 should be pressed in so the cutout is facing towards the outside. Do not grease this bushing.



1098