



INSTALLATION INSTRUCTIONS

PLEASE study these instructions carefully before beginning this installation. Most installations can be accomplished with common tools and procedures. However, you should be familiar with and comfortable working on your vehicle. If you do not feel comfortable performing this installation, it is recommended to have the installation completed by a qualified mechanic. If you have any questions, please call our **Technical Hotline at: 1-800-416-8628**, 7:00 am - 5:00 pm, Pacific Standard Time, Monday through Friday or e-mail us at Edelbrock@Edelbrock.com.

IMPORTANT NOTE: Proper installation is the responsibility of the installer. Improper installation will void your warranty and may result in poor performance and engine or vehicle damage.

PLEASE complete and mail your warranty card. Be sure to write the model number of this product in the "Part # ____" space. **THANK YOU.**

DESCRIPTION: Edelbrock Pro-Tuner EFI Pressure Sensors are intended to be used with Edelbrock's Pro-Tuner EFI system, but may be used with other systems using the supplied connector and wiring. They are configureable to most aftermarket ECUs. If you are using another aftermarket ECU, check the sensor's specifications with the manufacturer of your ECU. The brass body of these sensors features a 1/8" pipe thread (1/8-27 NPT) and pre-applied thread sealant. Individual descriptions are as follows:

- #36011: 0-100 PSI Pressure Sensor. This pressure sensor is designed to be used for monitoring fuel, oil, or other fluid pressures from 0-100 PSI.
- #36020: 2-BAR Manifold Absolute Pressure (MAP) Sensor. This MAP sensor is designed to monitor manifold pressure from -29.9 in/Hg to +14.7 PSig. The sensor's total range is 200 KPA. (**NOTE: PSig = Gauge Pressure**)

KIT CONTENTS:

- 1 Sensor
- 1 6" Pig-Tail Harness (Connector and 6" wiring lead)
- 1 Installation Instructions

INSTALLATION PROCEDURE

SENSOR MOUNTING:

The brass body of these sensors features a 1/8" pipe thread (1/8-27 NPT) and pre-applied thread sealant. You may be able to use an existing location or port, however some applications will require drilling and tapping a 1/8" NPT hole to mount the sensor.

- **36011 - 0-100 PSI Pressure Sensor**
Be sure to mount the sensor in a position that is fairly protected from contact with other parts, excessive heat, or possible road damage. Avoid remote mounting of the sensor, as the extended pressure line will affect the pressure signal.
- **36020 - 2-BAR Manifold Absolute Pressure Sensor**
The sensor should be mounted such that the connector side faces upward to avoid trapping water or condensation in the sensor tip, which will damage the sensor. Mount the MAP sensor at or as close to the intake manifold's plenum as possible to ensure the most accurate and consistent reading.

SENSOR CONNECTIONS/WIRING:

The wiring diagram on page 2 (**Figure 1**) illustrates the wire color coding and pin locations on the pig-tail harness. Refer to this figure during the installation process.

- **36011 - 0-100 PSI Pressure Sensor**
If installing the 36011 (0-100 PSI Pressure Sensor) with the Edelbrock Pro-Tuner wiring harness, connect the sensor directly to the main harness. Do not use the supplied pig-tail connector. To install the sensor on a non-Edelbrock wire harness, compare the wire descriptions on the pig-tail to the descriptions supplied by the manufacturer of your harness, and connect each wire to it's appropriate match.
- **36020 - 2-BAR Manifold Absolute Pressure Sensor**
To install the 36020 (MAP Sensor) to the Edelbrock Pro-Tuner wiring harness, connect each wire on the pig-tail harness to the matching wire on the Edelbrock harness as described in **Figure 1**. To install the sensor on a non-Edelbrock wire harness, compare the wire descriptions on the pig-tail to the descriptions supplied by the manufacturer of your harness, and connect each wire to it's appropriate match.

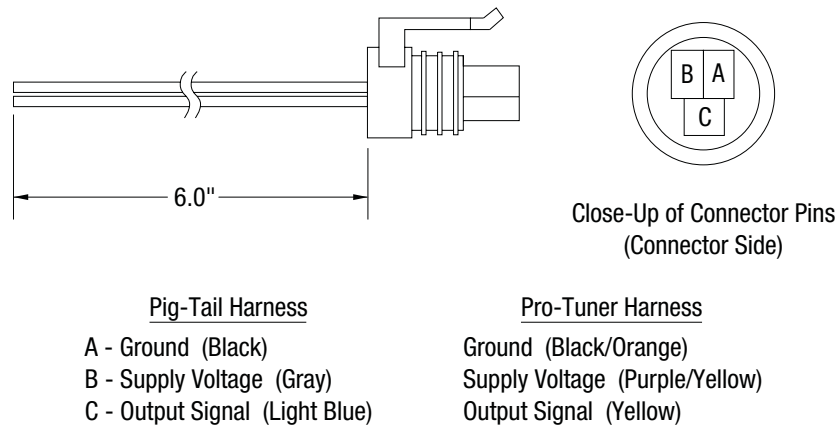


Figure 1 - Pig-Tail Wire Harness and Wire Color-Coding

SENSOR SPECIFICATIONS

GENERAL SPECIFICATIONS:

Input Voltage:	4.9 to 5.1 volts DC
Overvoltage:	16 volts DC (maximum)
Reverse Polarity:	16 volts DC (maximum)
Supply Current:	5 mA (maximum)
Response Time:	6.0 mS (maximum) (To 63% of Step Input)
Minimum Load:	9.0 K OHMS (Pull-Up or Pull-Down)

DIMENSIONS:

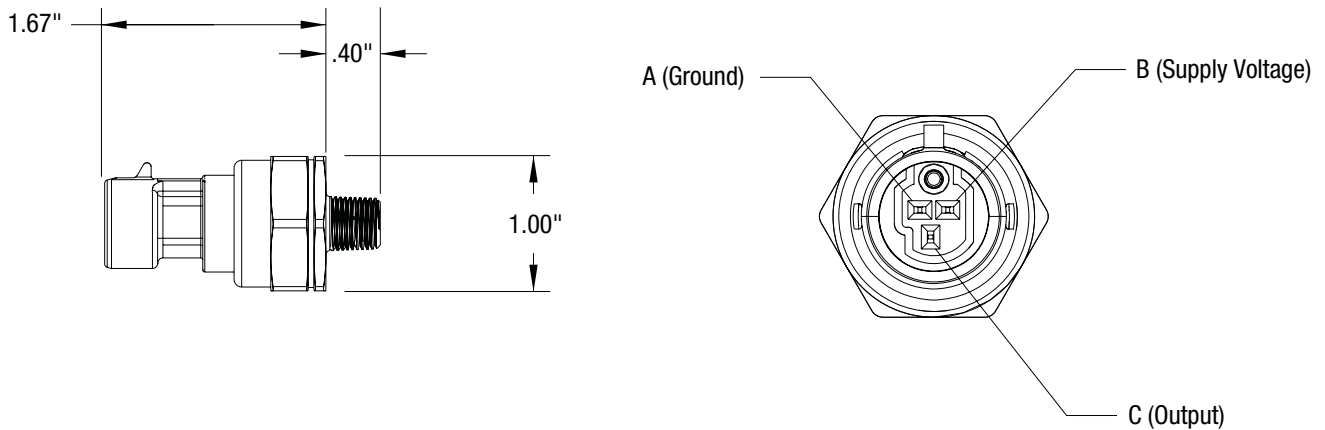


Figure 2 - Sensor Dimensions

SENSOR CALIBRATION:

Edelbrock Pressure Sensors are pre-calibrated for use with Edelbrock Pro-Tuner software. If you are using another aftermarket ECU system, you will need to calibrate the sensors using your software. Refer to the following charts and enter the values required by your software to calibrate the sensors to your software.

36011 - 0-100 PSI Pressure Sensor

Output Volts	kPa	PSI _g
0.50	101.3	0.00
0.60	118.5	2.50
0.70	135.8	5.00
0.80	153.0	7.50
0.90	170.2	10.00
1.00	187.5	12.50
1.10	204.7	15.00
1.20	222.0	17.50
1.30	239.2	20.00
1.40	256.4	22.50
1.50	273.7	25.00
1.60	290.9	27.50
1.70	308.1	30.00
1.80	325.4	32.50
1.90	342.6	35.00
2.00	359.8	37.50
2.10	377.1	40.00
2.20	394.3	42.50
2.30	411.6	45.00
2.40	428.8	47.50
2.50	446.0	50.00
2.60	463.3	52.50
2.70	480.5	55.00
2.80	497.7	57.50
2.90	515.0	60.00
3.00	532.2	62.50
3.10	549.4	65.00
3.20	566.7	67.50
3.30	583.9	70.00
3.40	601.2	72.50
3.50	618.4	75.00
3.60	635.6	77.50
3.70	652.9	80.00
3.80	670.1	82.50
3.90	687.3	85.00
4.00	704.6	87.50
4.10	721.8	90.00
4.20	739.1	92.50
4.30	756.3	95.00
4.40	773.5	97.50
4.50	790.8	100.00

36020 - 2-BAR Manifold Absolute Pressure Sensor

Output Volts	kPa	PSI _a	PSI _g	in/Hg
0.50	0	0.00	-14.69	-29.91
0.60	5	0.73	-13.96	-28.42
0.70	10	1.47	-13.22	-26.92
0.80	15	2.20	-12.49	-25.43
0.90	20	2.94	-11.75	-23.93
1.00	25	3.67	-11.02	-22.44
1.10	30	4.41	-10.28	-20.94
1.20	35	5.14	-9.55	-19.44
1.30	41	5.88	-8.82	-17.95
1.40	46	6.61	-8.08	-16.45
1.50	51	7.35	-7.35	-14.96
1.60	56	8.08	-6.61	-13.46
1.70	61	8.82	-5.88	-11.97
1.80	66	9.55	-5.14	-10.47
1.90	71	10.28	-4.41	-8.97
2.00	76	11.02	-3.67	-7.48
2.10	81	11.75	-2.94	-5.98
2.20	86	12.49	-2.20	-4.49
2.30	91	13.22	-1.47	-2.99
2.40	96	13.96	-0.73	-1.50
2.50	101	14.69	0.00	0.00
2.60	106	15.43	0.73	1.50
2.70	111	16.16	1.47	2.99
2.80	116	16.90	2.20	4.49
2.90	122	17.63	2.94	5.98
3.00	127	18.37	3.67	7.48
3.10	132	19.10	4.41	8.97
3.20	137	19.83	5.14	10.47
3.30	142	20.57	5.88	11.97
3.40	147	21.30	6.61	13.46
3.50	152	22.04	7.35	14.96
3.60	157	22.77	8.08	16.45
3.70	162	23.51	8.82	17.95
3.80	167	24.24	9.55	19.44
3.90	172	24.98	10.28	20.94
4.00	177	25.71	11.02	22.44
4.10	182	26.45	11.75	23.93
4.20	187	27.18	12.49	25.43
4.30	192	27.92	13.22	26.92
4.40	198	28.65	13.96	28.42
4.50	203	29.38	14.69	29.91



Edelbrock Corporation • 2700 California St. • Torrance, CA 90503
Tech-Line: 1-800-416-8628 • E-Mail: Edelbrock@Edelbrock.com