



## BIG VICTOR (SPREAD-PORT) INTAKE MANIFOLDS

For Standard and Tall Deck Big Block Chevrolet

V8s Using Spread-Port Style Cylinder Heads

Part #s 2801, 2802, 2803, 2804, 2805, 2806, 28001,  
28002, 28003, 28004, 28081, 28082, 28083 & 28084

### INSTALLATION INSTRUCTIONS

**PLEASE** study these instructions carefully before beginning this installation. Most installations can be accomplished with common tools and procedures. However, you should be familiar with and comfortable working on your vehicle. If you do not feel comfortable performing this installation, it is recommended to have the installation completed by a qualified mechanic. If you have any questions, please call our **Technical Hotline at: 1-800-416-8628**, 7:00 am - 5:00 pm, Pacific Standard Time, Monday through Friday.

**IMPORTANT NOTE: Proper installation is the responsibility of the installer. Improper installation will void your warranty and may result in poor performance and engine or vehicle damage.**

**DESCRIPTION:** Big Victor intake manifolds are designed for big block Chevrolet engines using spread-port style cylinder heads such as Edelbrock Big Victor, Dart Big Chief, Profiler Raptor or Brodix Big Duke cylinder heads (See *Applications* below for specific descriptions). These intake manifolds are designed for competition applications only. They are not intended to be used on the street as they do not have provisions for chokes, emission components, etc.

**NOTE: It is the responsibility of the end user to verify conformity to a particular racing association's rules regarding manifold dimensions, fitment to a template, etc.**

#### • APPLICATIONS:

**2801, 28001, 28081, 2802, 28002 & 28082:** Manifolds are designed for use with Edelbrock Big Victor, Dart Big Chief or Profiler Raptor Cylinder heads. #2801, 28001 & 28081 fit standard 9.8" deck height blocks, while #2802, 28002 & 28082 fit tall 10.2" deck height blocks. These manifolds are recommended for use on large displacement, high revving engines.

**2803 & 2804:** #2803 fits standard deck height blocks and #2804 fits tall deck height blocks. Both manifolds feature undersized port exits that can be machined to fit any aftermarket spread-port BBC head (Edelbrock, Brodix, Dart, Raptor, etc.). These manifolds are designed with a smaller runner cross section for lower displacement engines or those designed to produce peak power below 6500 rpm (such as marine applications).

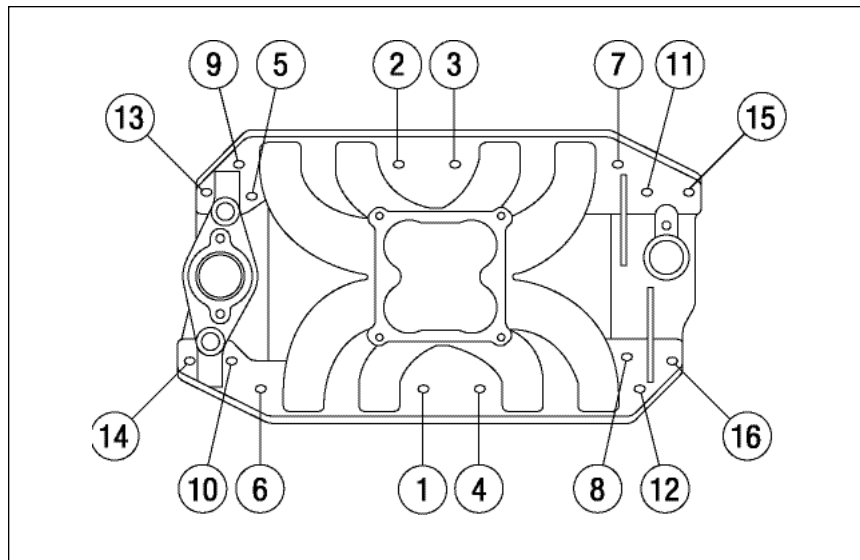
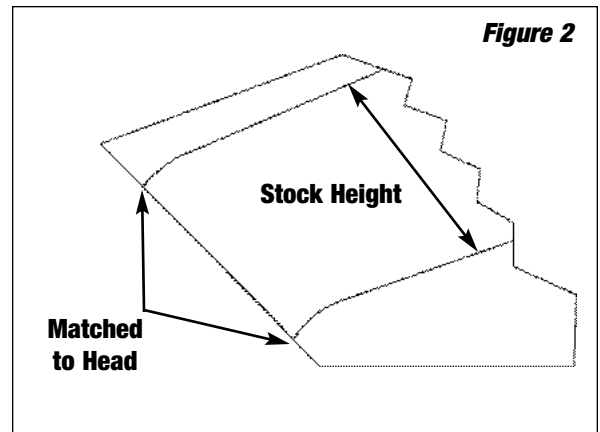
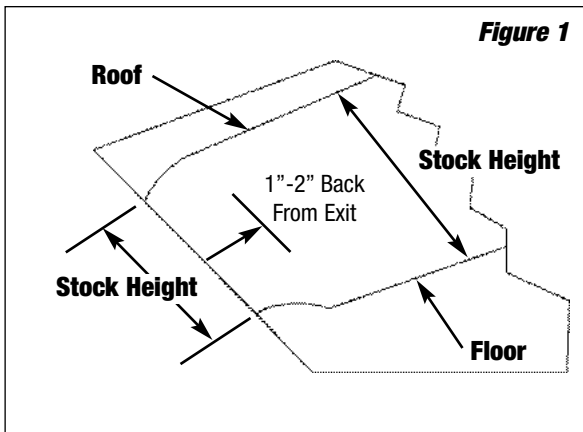
**2805, 28003, 28083, 2806, 28004 & 28084:** Manifolds are designed for use on large displacement, high revving engines equipped with Brodix Big Duke cylinder heads. They are similar to #2801/2802, 28001/28002 & 28081/28082 respectively, except they feature runner exits more closely matched to the Brodix cylinder head. #2805, 28003 & 28083 are designed for standard deck height blocks, while #2806, 28004 & 28084 are designed for tall deck height blocks.

- **CARBURETOR RECOMMENDATIONS:** Appropriate 4500 series racing carburetor. If mounting the carburetor directly on the carb pad, it may be necessary to machine clearance for the accelerator pump arm on the carb pad.
- **CARBURETOR SPACERS:** Testing has shown, in certain applications, additional torque is available with the use of a one-inch thick, open (not 4-hole) carburetor spacer on Big Victor intake manifolds. Edelbrock spacer #8718 offers a closer match to the semi-cloverleaf opening in the Victor Spread-Port manifold, and #8717 is a standard open, non-cloverleaf spacer. Applications using an open spacer, throttle stop or diffuser (such as the Super Sucker) would likely benefit from machining the carb pad to match the shape of the spacer to eliminate any possible reductions in air flow. Four-hole or cloverleaf spacers should be checked to verify that there is no obstruction to air flow.
- **PORT MATCH:** Port matching of each intake runner to the cylinder head port size on all four sides of the runner exit is REQUIRED for best results. This would be the floor, roof, and each sidewall per the included illustrations (**See Figure 1 and Figure 2**). Port locations and porting technique will vary by manufacturer. More grinding may be necessary on the roof of the port than on the floor, or vice versa, depending on these variables. Any sharp edges left from port runner enlargement should be radius blended to prevent high rpm air/fuel separation at the cylinder head. Due to the as-cast size of the Victor Spread-Port manifold runners, very small amounts of material need to be removed to match the ports. No other modification or material removal is necessary. Refer to illustrations for floor radius. Hard-roll polishing is acceptable, but substantial amounts of grinding away of manifold material can impair its performance by greatly upsetting air/fuel distribution among cylinders.
- **INTAKE GASKETS:** Manifold runners as cast, will fit well with Fel-Pro #1298 intake gaskets. The gasket match to the ports and bolt holes may vary, and should be adjusted for best fit to the ports.
- **END SEAL CLEARANCE:** Due to varying deck heights and/or valley widths, either from decking the block or milling the cylinder heads, the end seal clearance should be checked. Lay the manifold on the engine with gaskets in place, and measure the clearance. There should be a minimum of .060" between the block surface and the end seal surface of the manifold. You may need to machine the manifold flanges or end seal surface to achieve optimum clearance.

## INSTALLATION PROCEDURE

1. Make sure the cylinder head intake flanges and the engine block end seal surfaces are fully cleaned prior to installation.
2. Apply Edelbrock Gasgacinch sealant PN 9300 to both cylinder head flanges and to the cylinder head side of the gaskets, allow to air dry, and attach the intake gaskets.
3. Do not use cork or rubber end seals. Use RTV silicone sealer instead. Apply a ¼" high bead across each block end seal surface, overlapping the intake gasket at the four corners. This method will eliminate end seal slippage.
4. Install the intake manifold and hold-down bolts. Torque the manifold bolts to 25 ft/lbs in small, even steps, following the factory recommended torque sequence (**See Figure 3**). If you cannot fit a torque wrench on some of the bolts, use a small box end wrench to avoid over tightening.

**NOTE:** Check bolt clearance near the water crossover. Minimal clearancing of the water crossover may be required for socket or wrench clearance with a standard hex bolt.



**Torque Bolts to 25 ft/lbs.**

**Edelbrock LLC • 2700 California St. • Torrance, CA 90503**  
**Tech-Line: 1-800-416-8628 • Office Line: 310-781-2222**