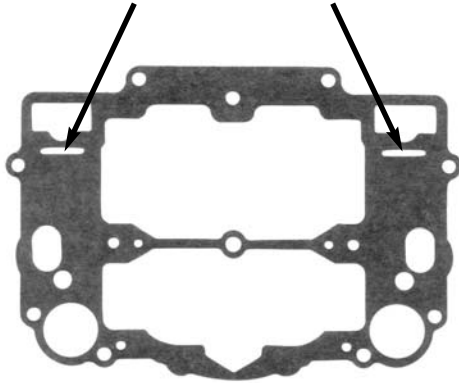




**SPECIAL INSTRUCTIONS**  
**For Air-Horn Gaskets for Performer Series Carburetors**

**Supplement for Catalog #1472, 1477, & 1499**

**Trim the slots in the gasket as needed.**



**NOTE:** Some carburetor tops have cast-in baffles near the slots in the gasket, as shown in the figure to the left. If this is the case with your carburetor, the gasket may need to be trimmed to properly fit over the baffles. Trim the gasket as shown.

Catalog #1472, 1477, 1499  
Rev. 12/06 - RS/mc

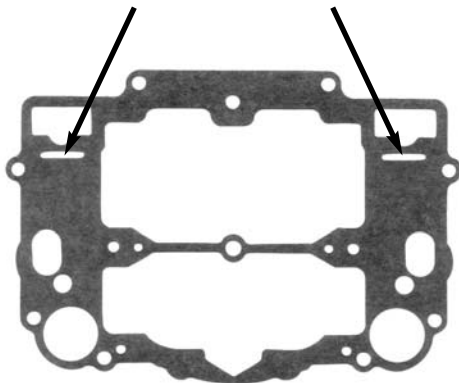
©2006 Edelbrock Corporation  
Brochure #63-0230



**SPECIAL INSTRUCTIONS**  
**For Air-Horn Gaskets for Performer Series Carburetors**

**Supplement for Catalog #1472, 1477, & 1499**

**Trim the slots in the gasket as needed.**



**NOTE:** Some carburetor tops have cast-in baffles near the slots in the gasket, as shown in the figure to the left. If this is the case with your carburetor, the gasket may need to be trimmed to properly fit over the baffles. Trim the gasket as shown.

Catalog #1472, 1477, 1499  
Rev. 12/06 - RS/mc

©2006 Edelbrock Corporation  
Brochure #63-0230