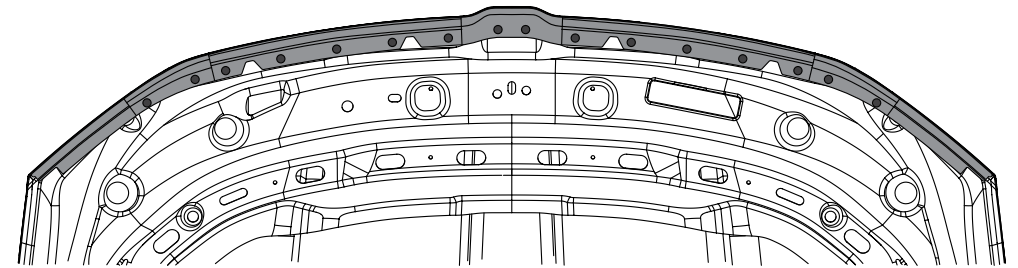
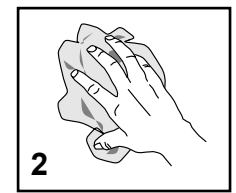
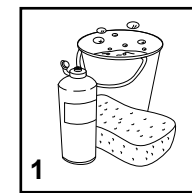
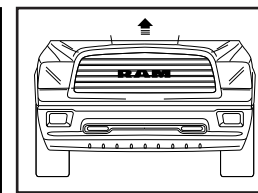
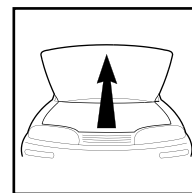
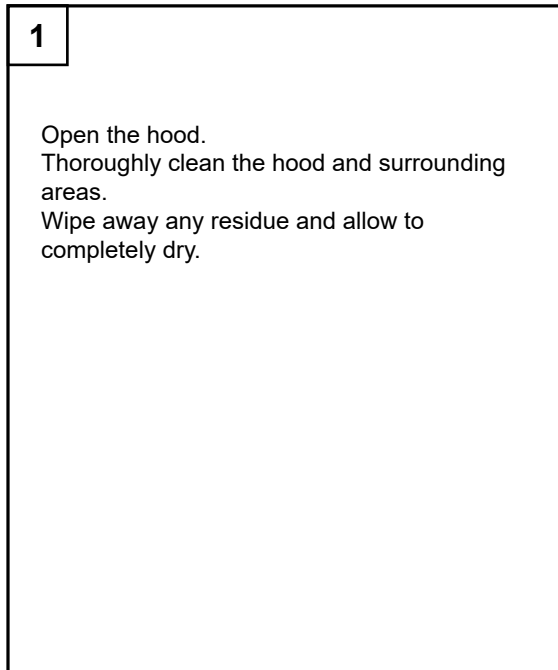
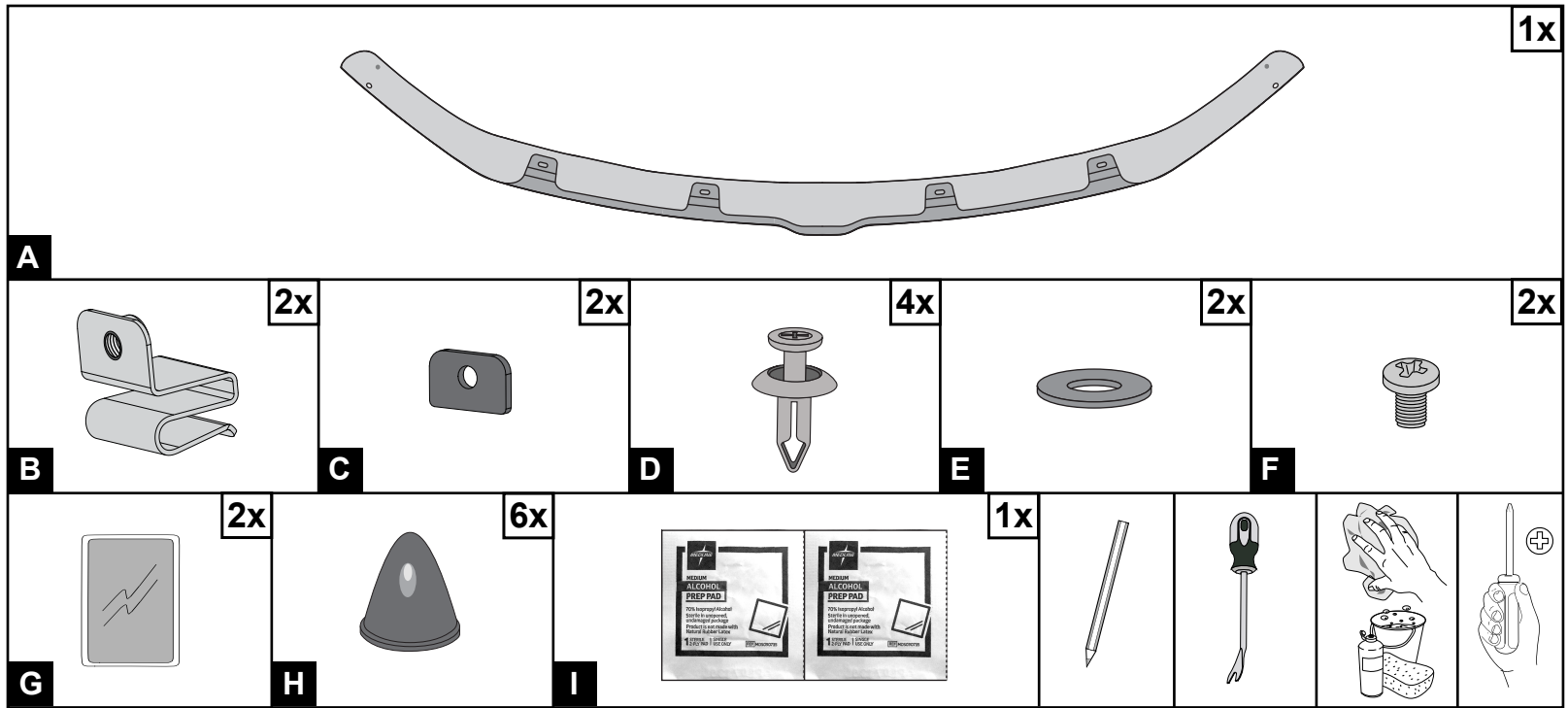
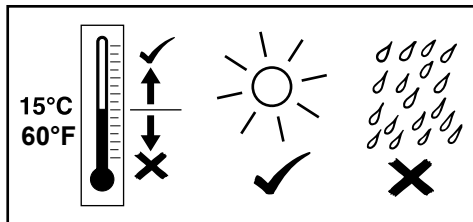
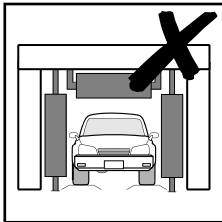
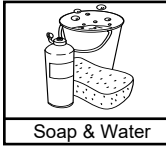


INSTALLATION INSTRUCTIONS

Tools Required



EGR

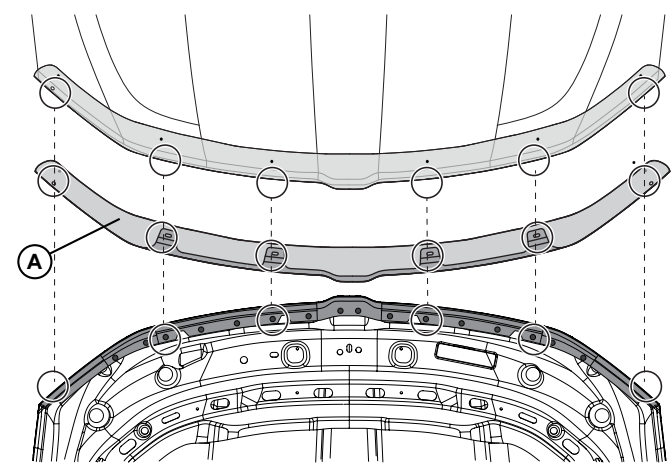
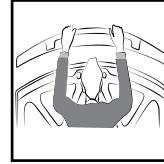
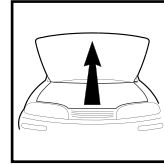
INSTALLATION INSTRUCTIONS

2

Trial fit the Hood Deflector centrally onto the hood, align the front edge of the Hood Deflector with the hood lip.

Note where the two outer holes align with the lip of the hood and note where the four centre slots on the tags correspond to the scrivetts on the underside of the hood.

Note where the six bump-on location stickers correspond to the top of the hood.



3

Clean the previously marked hole positions with the alcohol wipe provided. Allow to dry.

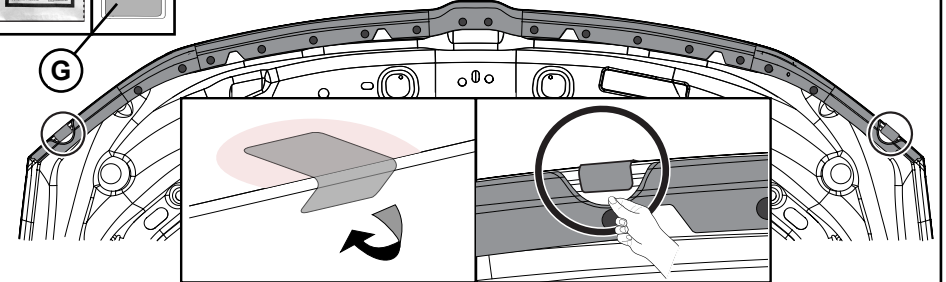
At these two locations gently pull the seal back and adhere the abrasion resistant tapes over the hood lip.

Apply the tape so that approximately two thirds of each strip is on the front surface of the fascia and one third folds over the inside edge.



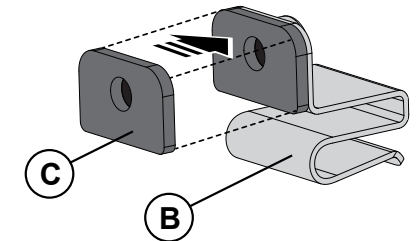
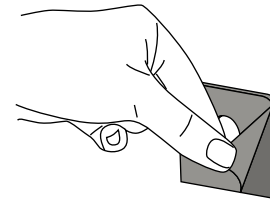
I

G



4

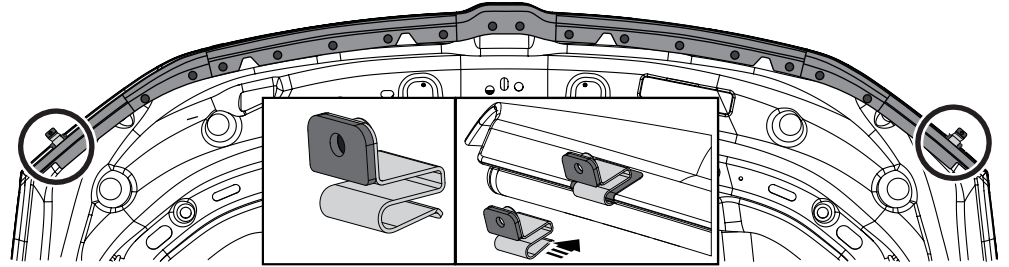
Peel back the adhesive backing from the foam pads and adhere to the push-on clips.



5

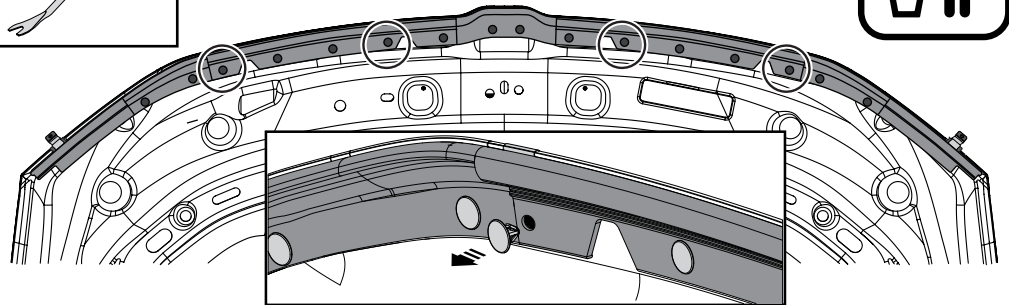
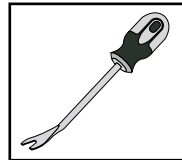
Slide a push-on clip over the hood lip underneath the seal at each clip location.

Ensure the clips rest over the abrasive resistant tape and do not come in contact with the hood. Failure to do this may result in permanent damage.



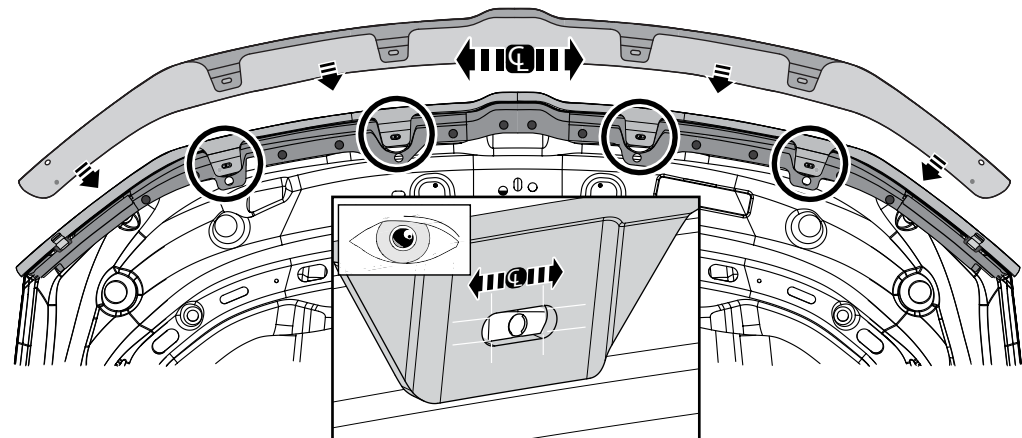
6

At the previously noted scriver locations carefully remove the scriverets attaching the hood seal and discard.



7

Gently peel back the rubber seal and fit the Hood Deflector. Align the slots in the tags with the holes in the hood.



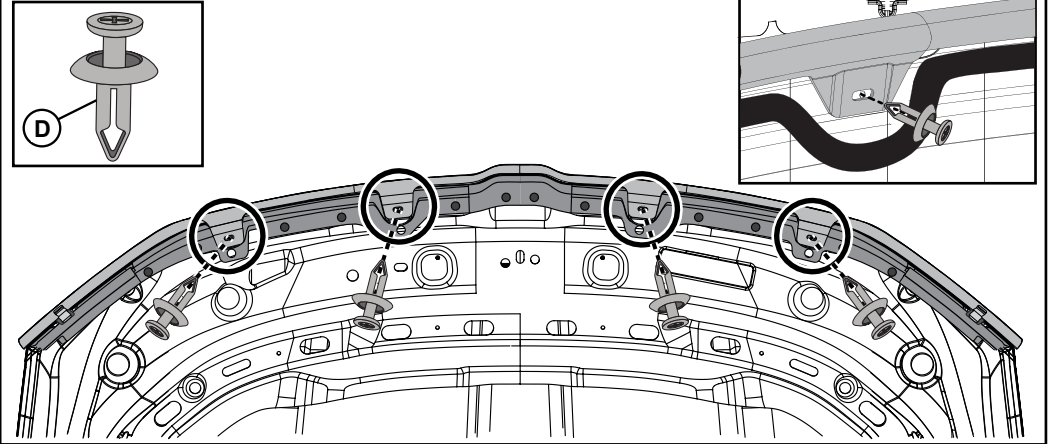
EGR

INSTALLATION INSTRUCTIONS

8

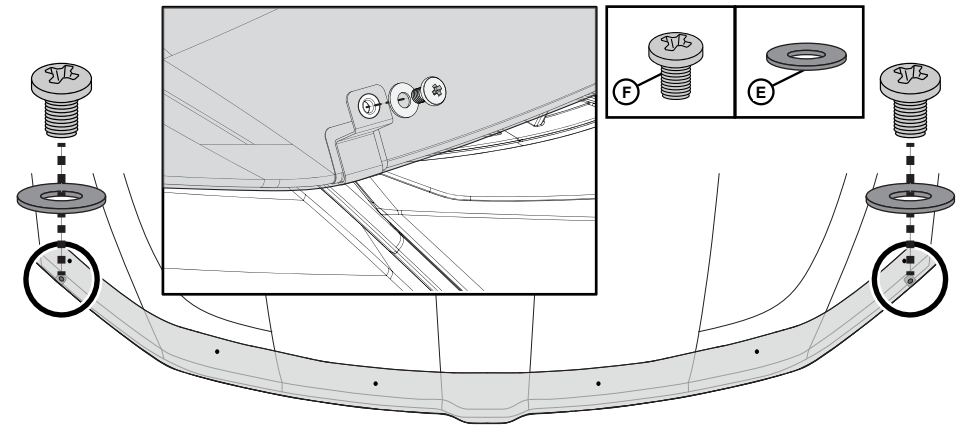
Insert the four scrivets into the hood holes and secure the Hood Protector to the hood.

Return the rubber seal back to its original position over the hood protector tags.



9

Fasten the Hood Protector to the two top metal outer clips using the screws and washers provided.

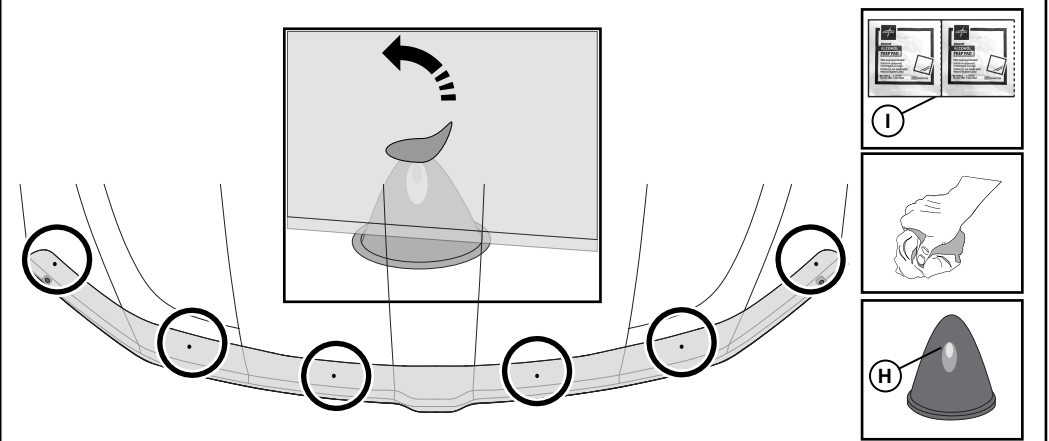


10

Clean and dry the hood underneath each bumpon location sticker.

Peel the adhesive backing from the bumpons and adhere a bumpon to the hood directly underneath each bumpon location sticker.

Peel off and discard the bumpon location stickers when complete.



EGR

INSTALLATION INSTRUCTIONS

11

Re-check and ensure that the Hood Deflector is centered on the hood.

Wash the Hood Deflector and surrounding areas.

