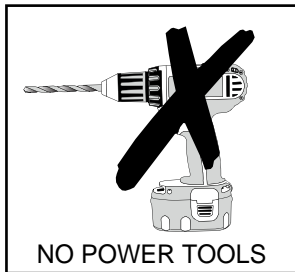
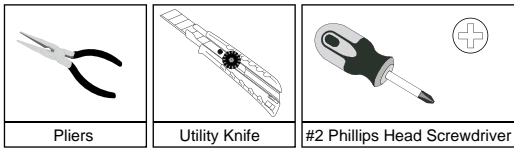
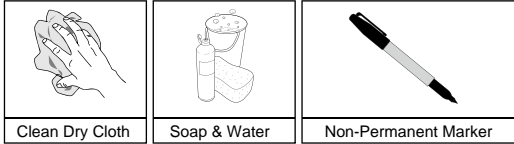


EGR INSTALLATION INSTRUCTIONS

Tools Required



Cleaning Notes

- Spray with a firm water spray to remove any loose dirt.
- Wash with water, detergent and a soft cloth or sponge.
- Do not use petroleum based solvents or abrasives.

- For Technical Support/Warranty Information please call: 800-757-7075

- 1** Wash the hood with a mild soap and water solution, then dry thoroughly.

Open the hood. Trial fit the Hood Deflector centrally onto the hood.

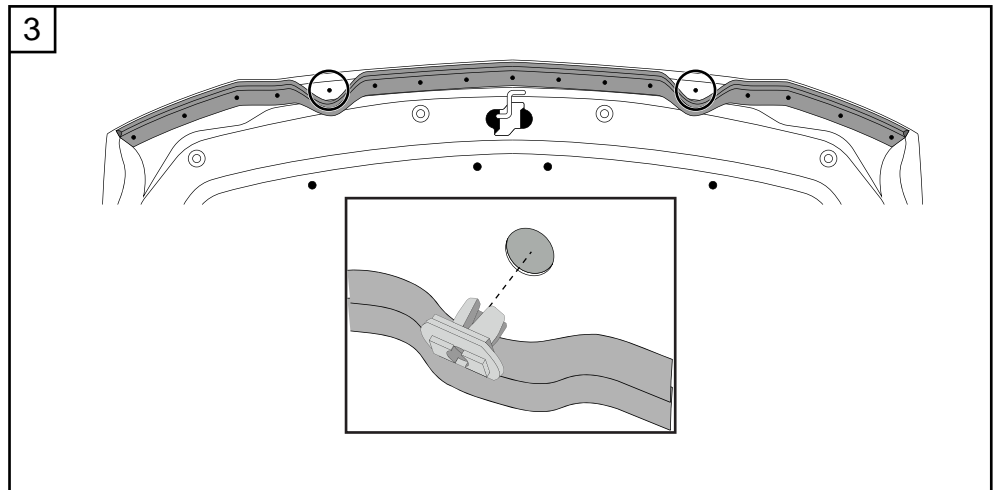
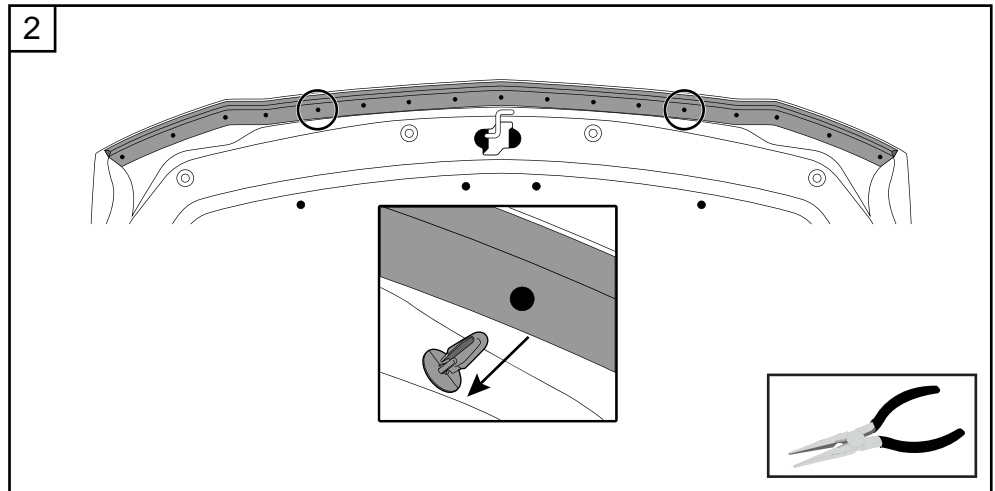
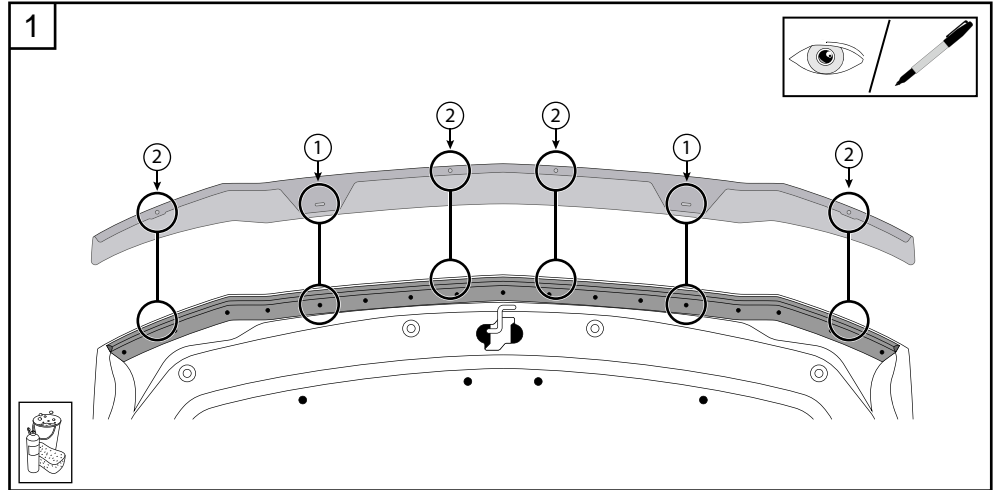
With a non-permanent marker, mark the positions of the two acrylic tag slots in the Hood Deflector and where they correspond to the rubber extrusion retaining plugs (1).

Mark the positions of the four holes in the Hood Deflector and where they correspond with the hood lip (2).

Remove the Hood Deflector.

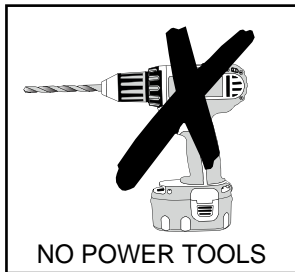
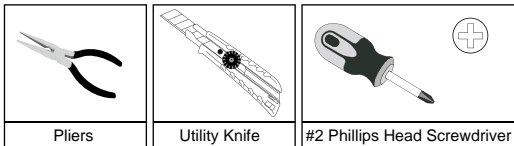
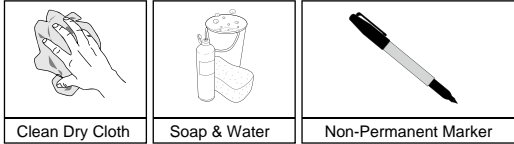
- 2** Using pliers remove the two rubber extrusion retaining plugs and discard.

- 3** Insert the screw two plugs into the vacated holes in the hood.



EGR INSTALLATION INSTRUCTIONS

Tools Required



Cleaning Notes

- Spray with a firm water spray to remove any loose dirt.
- Wash with water, detergent and a soft cloth or sponge.
- Do not use petroleum based solvents or abrasives.

- For Technical Support/Warranty Information please call: 800-757-7075

- 4• Clean the four noted areas with alcohol prep pad provided. Wipe off any residue with a dry clean cloth.

Adhere the abrasive resistant tape strips over the hood lip. Apply tape so approximately half of each strip is adhered to the topside and half is adhered to the underside of hood.

- 5• Press the four push-on metal clips onto the hood, locating the clips over the abrasive resistant tape strips on the hood lip and under the rubber extrusion.

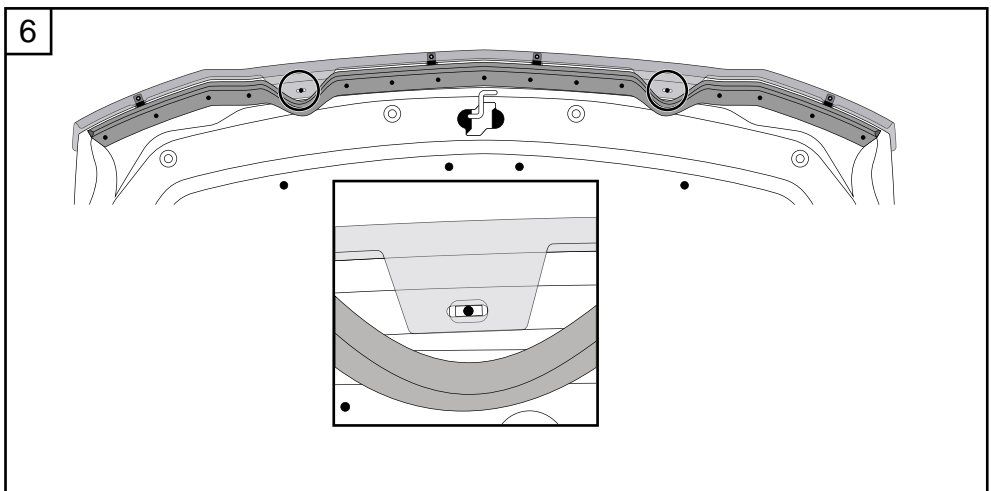
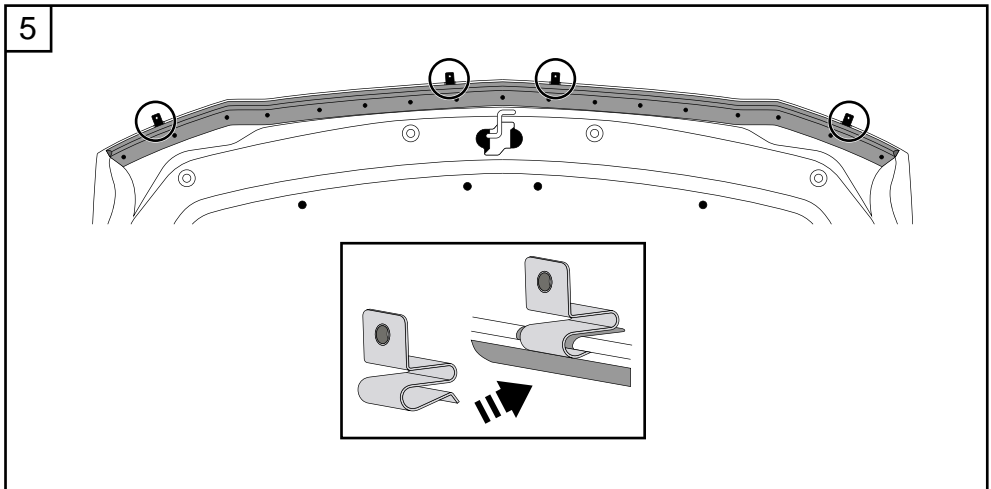
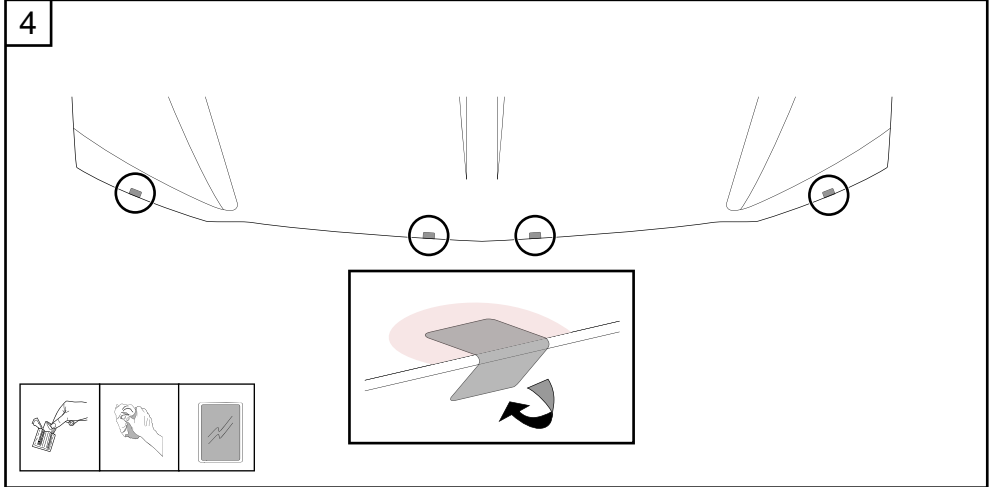
IMPORTANT: If hood sealant bead prevents metal clips from seating on hood follow STEP 9.

IMPORTANT: Ensure that the clips are positioned over abrasive resistant tape and do not come in contact with any of the hood's paint work. Failure to do this may result in permanent paint damage.

- 6• Install the Hood Deflector onto the hood ensuring that the collar of the screw plugs locate into and parallel with the slots in the Hood Deflector tags. Ensure rubber trim is sitting over the acrylic tags of the Hood Deflector.

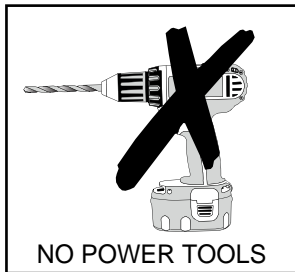
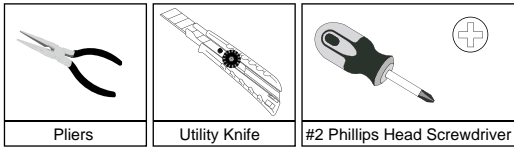
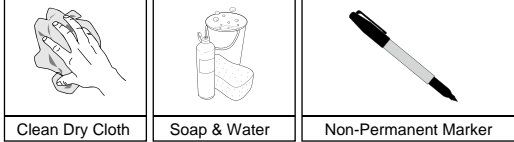
IMPORTANT: If hood sealant bead prevents Hood Deflector tags seating flush on the underside of the hood follow STEP 10.

IMPORTANT: Rubber trim must be sitting over Hood Deflector tags.



EGR INSTALLATION INSTRUCTIONS

Tools Required



Cleaning Notes

- Spray with a firm water spray to remove any loose dirt.
- Wash with water, detergent and a soft cloth or sponge.
- Do not use petroleum based solvents or abrasives.

- For Technical Support/Warranty Information please call: 800-757-7075

7• While maintaining thumb pressure against the underside of the Hood Deflector, insert the large screws with the large washers through the rubber trim and into the screw plugs. Do not fully tighten yet. Ensure the Hood Deflector is centralised on hood then fully tighten screws.

IMPORTANT: Thumb pressure must be maintained on the Hood Deflector to prevent the screw plug from rotating. DO NOT OVER-TIGHTEN SCREWS. Rubber trim must be sitting over Hood Deflector acrylic tags.

8• Firmly secure the Hood Deflector to the four push-on metal clips with the small screws and fibre washers.

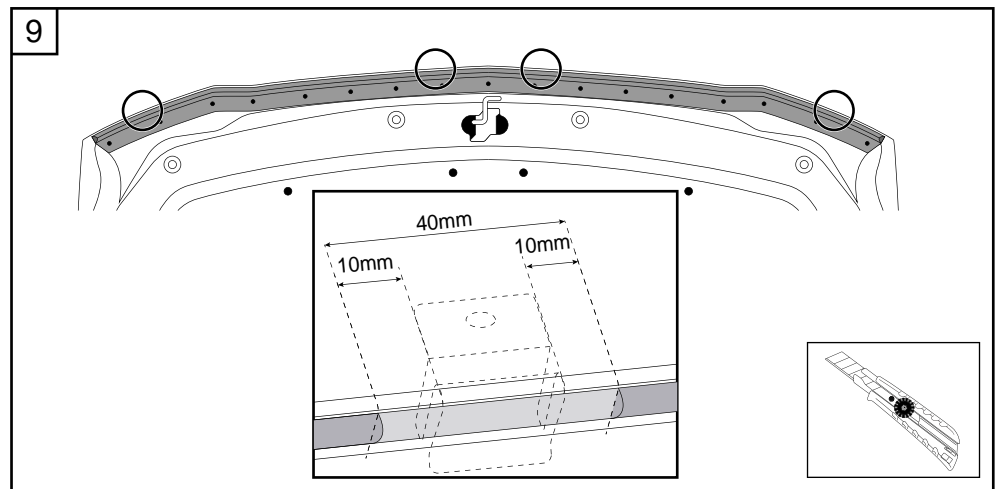
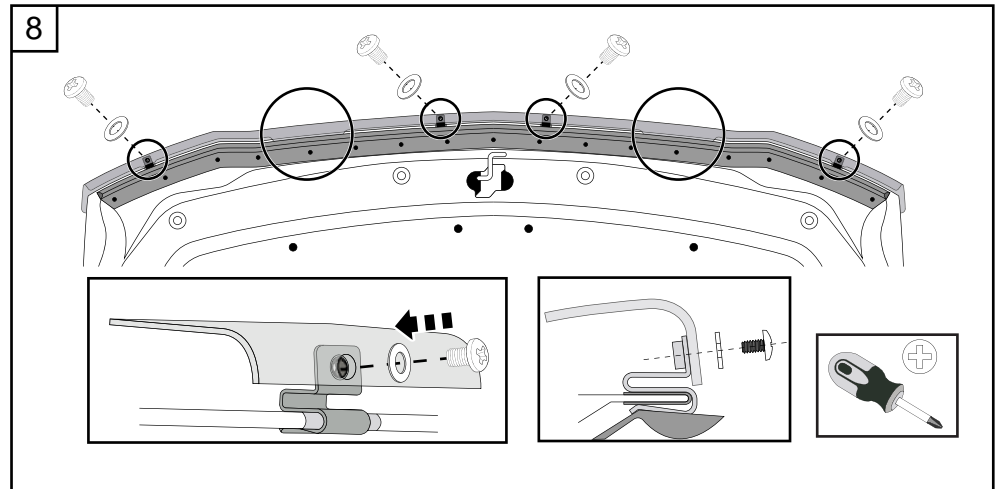
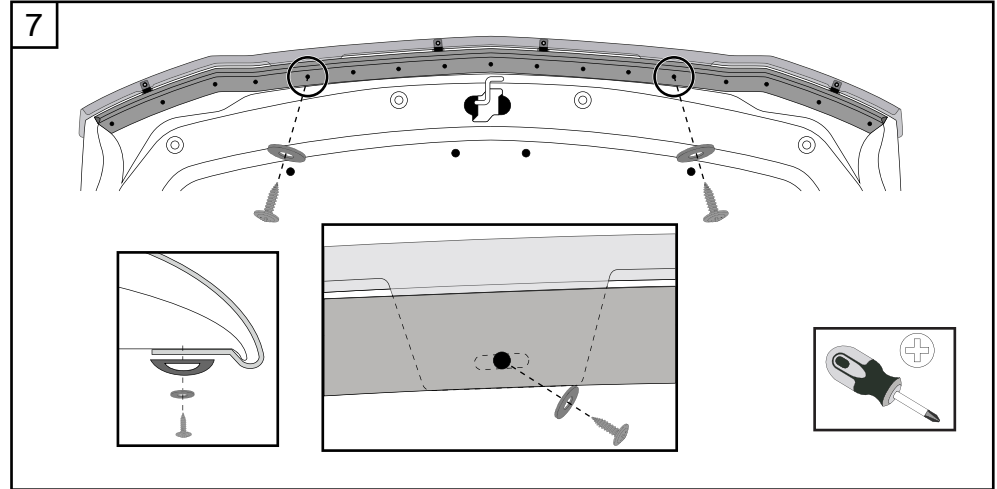
TO REMOVE: Reverse the above procedure.

9• Hood Sealant Bead Trimming.

Peel off the abrasive resistant tape strips. Pull the rubber extrusion down and at the four marked locations, with a sharp utility knife cut away the mastic seal on the underside of the hood that corresponds to the four noted push-on clip locations. Cut 10mm either side of the locations.

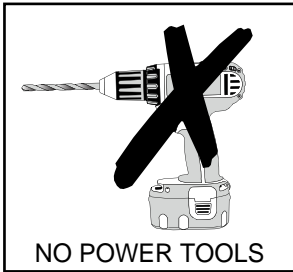
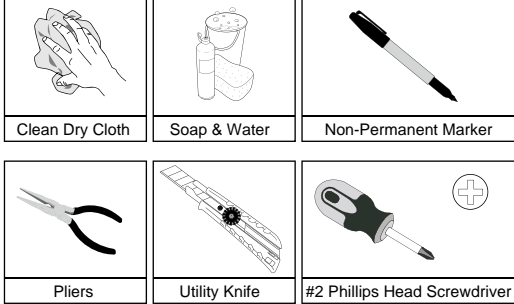
If you cut into the mastic and hit the metal of the hood, apply the supplied rust inhibitor or other related product.

Go back to STEP 4.



EGR INSTALLATION INSTRUCTIONS

Tools Required



Cleaning Notes

- Spray with a firm water spray to remove any loose dirt.
- Wash with water, detergent and a soft cloth or sponge.
- Do not use petroleum based solvents or abrasives.

- For Technical Support/Warranty Information please call: 800-757-7075

10• Hood Sealant Bead Trimming.

Pull the rubber extrusion down and at the four marked locations, with a sharp utility knife cut away the mastic seal on the underside of the hood that corresponds to the two noted hood deflector tag locations. Cut 10mm either side of the locations.

If you cut into the mastic and hit the metal of the hood, apply the supplied rust inhibitor or other related product.

Go back to STEP 6.

