

OWNER'S MANUAL

CONTENTS:

Page	1	Specifications
	2	Warning Information
	3	Setup, Operating and Maintenance
	4	Trouble Shooting and Warranty Information
	5	Exploded View Drawing
	6	Replacement Parts



SPECIFICATIONS

Low Height.....	5"
Raised Height.....	22"
Length.....	55-1/2"
Overall Width.....	17"
Handle Length.....	45-3/4"
Saddle Diameter.....	5.75"
Shipping Weight.....	225 lbs.

WARNING INFORMATION



This is the safety alert symbol. It is used to alert you to potential personal injury hazards. Obey all safety messages that follow this symbol to avoid possible injury or death.

WARNING

WARNING: Indicates a hazardous situation which, if not avoided, could result in death or serious injury.



IMPORTANT: READ THESE INSTRUCTIONS BEFORE OPERATING

BEFORE USING THIS DEVICE, READ THIS MANUAL COMPLETELY AND THOROUGHLY, UNDERSTAND ITS OPERATING PROCEDURES, SAFETY WARNINGS AND MAINTENANCE REQUIREMENTS.

It is the responsibility of the owner to make sure all personnel read this manual prior to using the device. It is also the responsibility of the device owner to keep this manual intact and in a convenient location for all to see and read. If the manual or product labels are lost or not legible, contact Sunex for replacements. If the operator is not fluent in English, the product and safety instructions shall be read to and discussed with the operator in the operator's native language by the purchaser/owner or his designee, making sure that the operator comprehends its contents.

THE NATURE OF HAZARDOUS SITUATIONS

WARNING

The use of portable automotive lifting devices is subject to certain hazards that cannot be prevented by mechanical means, but only by the exercise of intelligence, care, and common sense. It is therefore essential to have owners and personnel involved in the use and operation of the equipment who are careful, competent, trained, and qualified in the safe operation of the equipment and its proper use. Examples of hazards are dropping, tipping or slipping of loads caused primarily by improperly securing loads, overloading, off-centered loads, use on other than hard level surfaces, and using equipment for a purpose for which it was not designed.

METHODS TO AVOID HAZARDOUS SITUATIONS

WARNING

- Read, study, understand and follow all instructions before operating this device.
- Inspect the jack before each use. Do not use jack if damaged, altered, modified, in poor condition, leaking hydraulic fluid, or unstable due to loose or missing hardware or parts. Make corrections before using.
- Lift only on areas of the vehicle as specified by the vehicle manufacturer.
- Wear eye protection that meets ANSI Z87.1 and OSHA standards.
- Do not use jack beyond its rated capacity.
- This is a lifting device only. Immediately after lifting, support the vehicle with jack stands capable of sustaining the load before working on the vehicle.
- Use only on a hard level surface free from obstructions so the jack is free to reposition itself during lifting and lowering operations.
- Center load on saddle. Be sure setup is stable before working on vehicle.
- Do not move or dolly the vehicle while on the jack.
- Do not use saddle adapters or saddle extenders between the stock lifting saddle and the load.
- Do not use any adapters unless approved or supplied by Sunex.
- Always lower the jack slowly and carefully.
- Failure to heed these markings may result in serious or fatal personal injury and/or property damage.

CONSEQUENCES OF NOT AVOIDING HAZARDOUS SITUATIONS

WARNING

Failure to read this manual completely and thoroughly, failure to understand its OPERATING INSTRUCTIONS, SAFETY WARNINGS, MAINTENANCE INSTRUCTIONS and comply with them, and failure to comply with the METHODS TO AVOID HAZARDOUS SITUATIONS could cause accidents resulting in serious or fatal personal injury and/or property damage.

OWNER'S MANUAL

SETUP

PLEASE REFER TO THE EXPLODED VIEW DRAWING IN THIS MANUAL IN ORDER TO IDENTIFY PARTS.

1. In order to install the handle assembly item #54 in the handle socket item #32, first align the main handle tube with the largest hole in the handle socket and the lock pin rod with the smaller hole in the handle socket.
2. Make sure the lock pin rod is in the down/lock position before insertion in the handle socket. Once the main handle tube and lock pin rod are aligned with their respective holes in the handle socket, push the handle assembly in the handle socket so the end of the handle tube engages the release valve mechanism in the bottom of the handle socket and the lock pin rod engages one of the three (3) locking holes in the item #1 frame.
3. Now rotate the "T" handle portion of the handle assembly so it is perfectly aligned with the jack before tightening the item #36 bolt, #35 washer and item #34 nut. Tighten the bolt, washer, and nut so the handle can not rotate. Disengage the lock pin rod by pulling up on the lever and engaging the lever with the slot in top of the handle assembly. The handle assembly should be free to pump up and down.
4. In order to check for proper handle assembly alignment with the handle socket, see if the lock pin rod will engage with the three locking holes in the frame. Also, turn the release valve knob at the top of the handle assembly left and then right to see if the release valve u-joint in front and below the handle socket is rotating simultaneously with the turning of the knob.
5. **Before Use:** Air may become trapped in the hydraulic system.

PURGING AIR FROM THE HYDRAULIC SYSTEM:

- a. Rotate the knob at the top of the handle assembly in a clockwise direction until tight. Now turn it in a counterclockwise direction two full turns.
- b. Activate the foot pump pedal item #33 about 15 times.
- c. Rotate the knob at the top of the handle assembly in a clockwise direction until tight.
- d. Activate the foot pump until the lift arm is raised to maximum height. You should experience a full pump stroke with each incremental pump of the pedal.
- e. If it does not feel your are getting full incremental pump stroke at anytime during the pumping operation, repeat steps "a" through "d" until all air is purged from the system.

OPERATING INSTRUCTIONS



This is the safety alert symbol used for the OPERATING INSTRUCTIONS section of this manual to alert you to potential personal injury hazards. Obey all instructions to avoid possible injury or death.

IMPORTANT: Before attempting to raise any vehicle, check vehicle service manual for recommended lifting surfaces.

OPERATION:

1. **To raise load:** Turn the knob at the top of the handle assembly in a clockwise direction until tight. Position the jack under the load. Proceed to pump the handle or the foot pedal in order to raise the lift arm to the load. As the saddle at the end of the lift arm gets closer to the load, reposition the jack so the saddle will contact the load firmly and the load is centered on the saddle. Make sure the saddle is correctly positioned. Remember that foot pedal pump operation is only used to quickly raise the saddle to the load. The handle pump operation of the jack is used to lift the load. Raise the load to the desired work height. Place jack stands of appropriate capacity at the vehicle manufacturers's recommended support areas that provide stable support for the raised vehicle. **DO NOT CRAWL UNDER VEHICLE WHILE LIFTING VEHICLE OR REMOVING THE JACK STANDS!** Once jack stands are positioned, turn the knob at the top of the handle assembly VERY SLOWLY. Lower the load to rest on the jack stands. Inspect the relationship between the jack stands and load to make sure the setup is stable and safe. If the setup is not stable or safe follow the preceding steps until corrected. NOTE. Once the hand pump operation has ceased, the handle assembly can be locked in any of the three (3) handle locking positions. Typically, the handle locking positions are used for moving the jack around the shop, keeping the handle out of the way, or preventing the handle from being pumped.
2. **To lower load:** Follow the procedures mentioned in "To raise load" section of the OPERATING INSTRUCTIONS in order to raise the load off the jack stands. Once the load has cleared the jack stands, remove the stands from under the load and away from the work area. Turn the knob at the top of the jack's handle assembly very slowly in a counterclockwise direction until the load is completely lowered to the ground. Once the jack's lifting saddle has cleared the load, remove the jack from under the load.

CAUTION: Keep hands and feet away from the hinge mechanism of the jack.

PREVENTATIVE MAINTENANCE



This is the safety alert symbol used for the PREVENTATIVE MAINTENANCE section of this manual to alert you to potential personal injury hazards. Obey all instructions to avoid possible injury or death.

1. Always store the jack in a well protected area where it will not be exposed to inclement weather, corrosive vapors, abrasive dust, or any other harmful elements. The jack must be cleaned of water, snow, sand or grit before using.
2. The jack must be lubricated periodically in order to prevent premature wearing of parts. A general purpose grease must be applied to all zerk grease fittings, caster wheels, front axle wheels, elevator arm, handle base pivot bolts, release mechanism and all other bearing surfaces. Jacks found to be defective due to worn parts resulting from inadequate or no lubrication are not eligible for warranty consideration.

PREVENTATIVE MAINTENANCE (CONT.)

- It should not be necessary to refill or top off the reservoir with hydraulic fluid unless there is an external leak. An external leak requires immediate repair which must be performed in a dirt-free environment by an authorized service center.

IMPORTANT: In order to prevent seal damage and jack failure, never use alcohol, hydraulic brake fluid or transmission oil in the jack. Use Chevron Hydraulic Oil AW ISO 32 or its equivalent Unocal Unax AW150.

- Every jack owner is responsible for keeping the jack labels clean and readable. Use a mild soap solution to wash external surfaces of the jack but not any moving hydraulic components.
- Inspect the jack before each use. Do not use the jack if any component is cracked, broken, bent, shows sign of damage or leaks hydraulic fluid. Do not use the jack if it has loose or missing hardware or components, or is modified in any way. Take corrective action before using the jack again.
- Any hydraulic repairs within the warranty period must be performed by an authorized service center.

TROUBLESHOOTING

Important: Service jacks are self-contained devices used for lifting, but not sustaining, a partial vehicular load. In accordance with ASME-PALD Load Sustaining Test: "A load not less than the rated capacity...shall not lower more than 1/8" (3.18mm) in the first minute, nor a total of .1875" (4.76mm) in 10 minutes." Lowering within this range is considered normal operation and is NOT a warrantable defect.

PROBLEM	ACTION
1. Unit will not lift load.	Purge air from hydraulic system by following procedure under SETUP.
2. Unit will not sustain load or feels "spongy" under load.	Purge air from hydraulic system as above.
3. Unit will not lift to full height.	Purge air from hydraulic system as above.
4. Handle tends to raise up while the unit is under load.	Pump the handle rapidly several times to push oil past ball valves in power unit.
5. Unit still does not operate.	Contact Sunex authorized hydraulic service center.

LIMITED WARRANTY

SUNEX INTERNATIONAL, INC. WARRANTS TO ITS CUSTOMERS THAT THE COMPANY'S SUNEX TOOLS® BRANDED PRODUCTS ARE FREE FROM DEFECTS IN WORKMANSHIP AND MATERIALS.

Sunex International, Inc. will repair or replace its Sunex Tools® branded products which fail to give satisfactory service due to defective workmanship or materials, based upon the terms and conditions of the following described warranty plans attributed to that specific product. This product carries a ONE-YEAR warranty. During this warranty period, Sunex Tools will repair or replace at our option any part or unit which proves to be defective in material or workmanship.

Other important warranty information

This warranty does not cover damage to equipment or tools arising from alteration, abuse, misuse, damage and does not cover any repairs or replacement made by anyone other than Sunex Tools or its authorized warranty service centers. The foregoing obligation is Sunex Tools' sole liability under this or any implied warranty and under no circumstances shall we be liable for any incidental or consequential damages.

NOTE: Some states do not allow the exclusion or limitation of incidental or consequential damages, so the above limitation or exclusion may not apply to you. Return equipment or parts to an authorized service center, transportation prepaid. Be certain to include your name and address, evidence of the purchase date, and description of the suspected defect. If you have any questions about warranty service, please write to Sunex Tools. This warranty gives you specific legal rights and you may also have other rights which vary from state to state.

Repair kits and replacement parts are available for many of Sunex Tools products regardless of whether or not the product is still covered by a warranty plan.

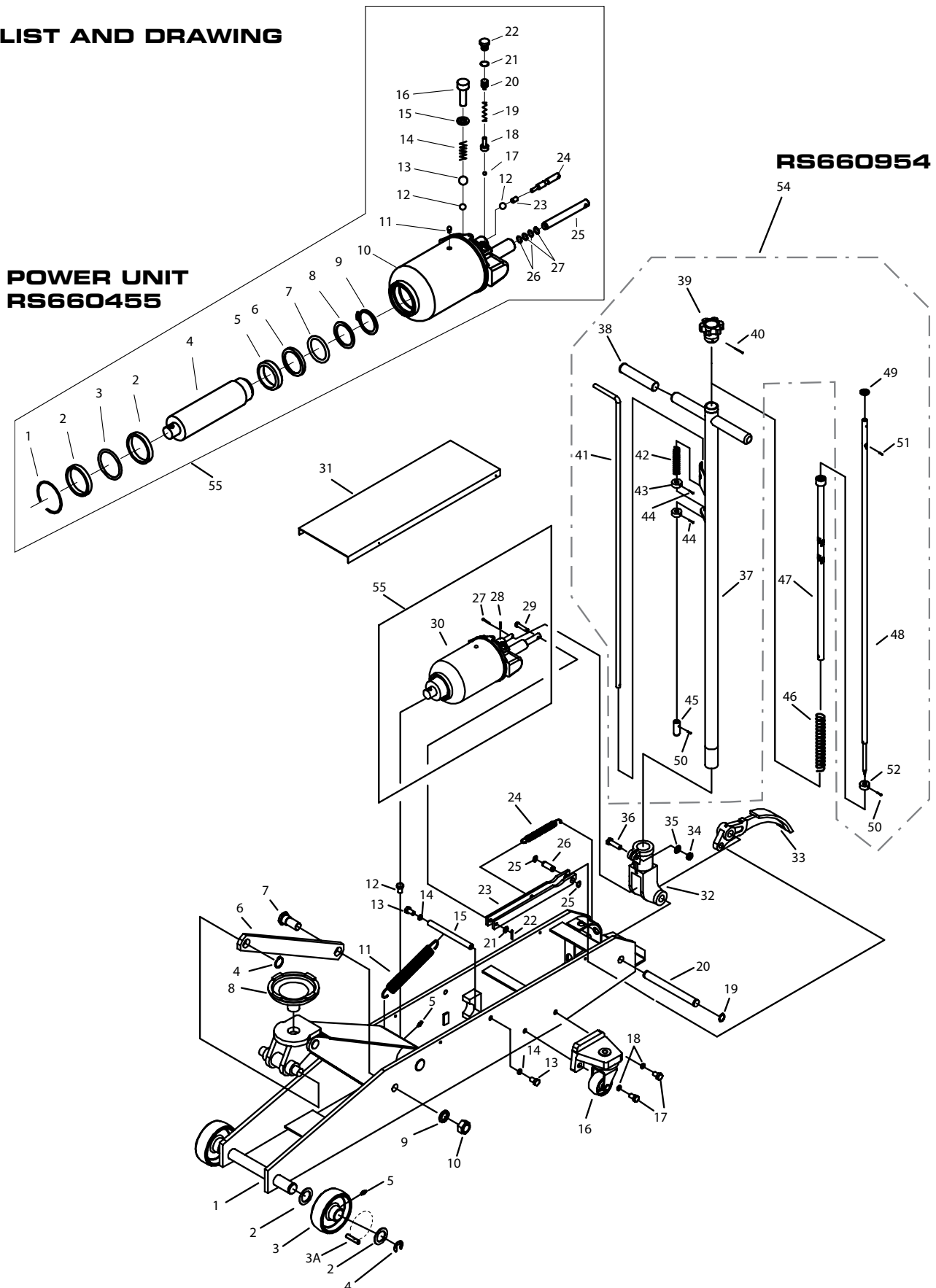
SHIPPING ADDRESS:

Sunex Tools
315 Hawkins Rd.
Travelers Rest, South Carolina 29690

MAILING ADDRESS:

Sunex Tools
P.O. Box 1233
Travelers Rest, South Carolina 29690

PARTS LIST AND DRAWING



PARTS LIST AND DRAWING

Index No.	Part No.	Description	Qty.
1		Frame	
2		Washer	
3	RS660403	Front wheel (incl. #2,3,3a,4,5)	2
3A	RS660403A	Roller bearing set	2
4		Snap ring	
5		Grease fitting	
6		Rod link	
7		Bolt	
8	RS660408	Saddle	
9		Lock washer	
10		Nut	
11		Spring	
12		Bolt	
13		Bolt	
14		Lock washer	
15		Shaft	1
16	RS660416	Rear caster wheel assembly	2
17	RS660417	Caster bolt kit [(incl. #17 (2), 18 (2))]	4
18		Washer	4
19		Snap ring	2
20		Pin	1
21		Washer	1
22		Pin	1
23		Link assembly	1
24	RS660929	Spring	1
25	RS550510	Snap ring	2
26	RS550509	Pedal pin	1
27		Pin	1

Index No.	Part No.	Description	Qty.
28		Pin	1
29		Pin	1
30		Oil hydraulic assembly	1
31		Cover	1
32	RS660932	Handle socket	1
33	RS550511	Pedal	1
34		Nut	1
35		Washer	1
36	RS550535	Bolt Kit (incl. #34,35,36)	
37		Handle	1
38		Sleeve	2
39		Knob	1
40		Pin	1
41		Control rod	1
42		Spring	1
43		Washer	2
44		Bolt	2
45		Pin	1
46		Spring	1
47	RS660447	Universal joint assembly	1
48		Convey rod	1
50		Washer	1
50		Pin	2
51		Pin	
52		Washer	1
54	RS660954	Handle assembly (incl. #37-45, 48-52)	1
55	RS660455	Complete hydraulic block assembly	1
56	RS6604LK	Product Label Kit (not shown)	1

Only index numbers identified by part number are available separately.

POWER UNIT

Index No.	Part No.	Description	Qty.
1	*	Snap ring	1
2	*	Washer	2
3	*	O-ring	1
4		Piston rod	1
5	*	Piston ring	1
6	*	Sealing washer	1
7	*	O-ring	1
8	*	O-ring Retainer	1
9	*	Snap ring	1
10		Oil hydraulic assembly	1
11	*	Oil filler plug	1
12	*	Steel ball	2
13	*	Steel ball	1
14	*	Spring	1

Index No.	Part No.	Description	Qty.
15	*	Copper washer	1
16		Bolt	2
17	*	Steel ball	4
18	*	Ball seat	4
19	*	Spring	2
20		Bolt	1
21	*	Sealing washer	1
22		Bolt	1
23	*	Sealing washer	1
24		Release valve rod	1
25		Cylinder pump	1
26	*	O-ring	2
27	*	Nylon gasket	2

Asterisked index numbers available in repair kit only, RS6604RK

MANUAL DE OPERACIÓN

CONTENIDO:

Página	7	Especificaciones y características
	8	Información de advertencia
	9	Ensamble, operación y mantenimiento
	10	Diagnóstico de averías e información de garantía



ESPECIFICACIONES

Altura baja.....	5"
Altura elevada.....	22"
Longitud.....	55-1/2"
Anchura global	17"
Longitud del mango	45-3/4"
Diámetro de la silla.....	5.75"
Peso de embarque.....	225 lbs.

INFORMACIÓN DE ADVERTENCIA



Este símbolo indica una alerta de seguridad y se usa para advertir sobre peligro de accidentes personales. Observe toda la información de seguridad que sigue a este símbolo para evitar la posibilidad de que ocurran lesiones o muerte.

⚠ ADVERTENCIA

ADVERTENCIA: Indica una situación peligrosa que si no se evita, puede provocar la muerte o lesiones graves.



IMPORTANTE: LEA ESTAS INSTRUCCIONES ANTES DE USAR EL DISPOSITIVO

ANTES DE USAR ESTE DISPOSITIVO, LEA ESTE MANUAL DETENIDAMENTE. PROCURE ENTENDER SUS PROCEDIMIENTOS OPERATIVOS, ADVERTENCIAS DE SEGURIDAD Y FORMA DE MANTENIMIENTO.

El propietario es responsable de asegurarse de que todo el personal lea este manual antes de usar el dispositivo. Asimismo, es responsabilidad del propietario mantener este manual en buenas condiciones en una ubicación conveniente para su consulta. Si las etiquetas del manual o producto son ilegibles o no están en su lugar, deberá ponerse en contacto con Sunex para obtenerlas gratis. El comprador/propietario o una persona designada deberá leer y comentar el producto y las advertencias de seguridad en la lengua materna del operario que no hable inglés fluido, a fin de asegurarse de que comprende el contenido.

NATURALEZA DE LAS SITUACIONES DE RIESGO

⚠ ADVERTENCIA

El uso de dispositivos de elevación de automotores se halla sujeto a ciertos riesgos que no se pueden prever por medios mecánicos, sino por la información, la diligencia y el sentido común. Por lo tanto, es esencial que el uso del dispositivo quede en manos de los propietarios y de personal que sea cuidadoso, competente, capacitado y habilitado para realizar una operación segura. Algunos ejemplos de peligros son dejar caer, inclinar o resbalar las cargas, principalmente como consecuencia de una sujeción incorrecta, sobrecarga, posición no centrada, uso en superficies no niveladas o firmes, así como usar el dispositivo con un fin para el que no está diseñado.

FORMAS DE EVITAR LAS SITUACIONES DE RIESGO

⚠ ADVERTENCIA

- Lea, estudie, comprenda y observe todas las instrucciones antes de operar este dispositivo.
- Verifique el gato antes de usarlo. No lo use si tiene roturas, alteraciones, fugas de líquido hidráulico o está en malas condiciones, como tampoco si presenta inestabilidad debido a piezas metálicas o partes desajustadas o faltantes. Tome las medidas de corrección apropiadas antes de usarlo.
- Utilice el dispositivo de elevación únicamente en las áreas del vehículo especificadas por su fabricante.
- Use protección para los ojos que cumpla con las normas ANSI Z87.1 y OSHA.
- No use el gato para elevar pesos superiores a su capacidad.
- Este dispositivo se debe utilizar únicamente para levantar cargas. No bien haya elevado la carga, sujete el vehículo con torres que tengan la capacidad para sostenerlo antes de comenzar a trabajar.
- Use el gato únicamente en superficies niveladas firmes en las que no haya obstáculos, de modo que el dispositivo pueda posicionarse durante las operaciones de elevación y descenso.
- Centre la carga en el asiento. Asegúrese de que el armado del dispositivo sea estable antes de comenzar a trabajar.
- No mueva ni empuje el vehículo sobre el gato.
- No utilice ningún tipo de adaptador ni extensión entre el asiento del gato y la carga.
- No use adaptadores a menos que Sunex los haya aprobado o suministrado.
- Baje el gato siempre despacio y con cuidado.
- No cumplir con estas indicaciones puede provocar lesiones graves o peligro de muerte, así como daños materiales.

CONSECUENCIAS DE NO PREVENIR LAS SITUACIONES DE RIESGO

⚠ ADVERTENCIA

No leer, comprender u observar todo el contenido de este manual en relación con sus INSTRUCCIONES DE USO, ADVERTENCIAS DE SEGURIDAD y FORMA DE MANTENIMIENTO, así como desatender las FORMAS DE EVITAR LAS SITUACIONES DE RIESGO, puede provocar accidentes que tengan como consecuencia lesiones graves, peligro de muerte o daños materiales.

MANUAL DE OPERACIÓN

MONTAJE

CONSULTE POR FAVOR EL DIBUJO DE VISTA EN DETALLE EN ESTE MANUAL PARA IDENTIFICAR LAS PARTES.

1. Para poder instalar el conjunto del mango, artículo #59, en el casquillo del mango, artículo #37. Primero alinee el tubo del mango principal con el agujero más grande en el casquillo del mango y el pasador de seguridad con el agujero más pequeño en el casquillo del mango.
2. Antes de insertarlo en el casquillo del mango, asegúrese que el pasador de seguridad esté en la posición de seguridad/hacia abajo. Una vez que el tubo del mango principal y el pasador de seguridad estén alineados con sus agujeros respectivos en el casquillo del mango, empuje el conjunto del mango en el casquillo del mango con el fin de que el tubo del mango se encaje con el mecanismo de la válvula de liberación en la parte inferior del casquillo del mango y el pasador de seguridad se encaje con alguno de los tres (3) agujeros de seguridad en el armazón del artículo #1.
3. Ahora gire la parte del mango en "T" del conjunto del mango con el fin de que esté perfectamente alineada con el gato antes de apretar el perno, artículo #41 y la tuerca, artículo #39. Apriete el perno y la tuerca con el fin de no se pueda girar el mango. Desconecte el pasador de seguridad al jalar la palanca hacia arriba y al encajar la palanca con la ranura en parte superior del conjunto de mango. El conjunto del mango debe estar libre para bombear hacia arriba y hacia abajo.
4. Para poder inspeccionar la alineación adecuada del conjunto del mango con el casquillo del mango, verifique que el perno de seguridad se encaje con los tres agujeros de seguridad en el armazón. Además, gire la perilla de la válvula de liberación en la parte superior del conjunto del mango hacia la izquierda y luego hacia la derecha para verificar que la junta en "U" de la válvula de liberación, en frente de y debajo del casquillo del mango, se esté girando simultáneamente con la rotación de la perilla.
5. Antes del uso: El aire puede entraparse en el sistema hidráulico.

PARA PURGAR EL AIRE DEL SISTEMA HIDRÁULICO:

- a. Gire la perilla en la parte superior del conjunto del mango en el sentido de las agujas del reloj hasta que ésta esté apretada. Ahora gírela en el contrasentido de las agujas del reloj dos vueltas completas.
- b. Active el pedal de la bomba de pie- artículo #38- aproximadamente 15 veces.
- c. Gire la perilla en la parte superior del conjunto del mango en el sentido de las agujas del reloj hasta que esté apretada.
- d. Active la bomba de pie hasta que el brazo de elevación esté elevado hasta su altura máxima. Usted debe experimentar una corrida completa de la bomba con cada bombeada del pedal.
- e. Si usted considera que no se esté recibiendo el golpe incremental completo de la bomba durante cualquier momento de la operación de la bomba, repita los pasos "a" al "d" hasta que se purgue todo el aire del sistema.

INSTRUCCIONES DE USO



Este símbolo indica una alerta de seguridad y se utiliza en la parte de este manual que versa sobre las INSTRUCCIONES DE USO, con el fin de advertir sobre los peligros de accidentes personales. Observe todas las instrucciones para evitar lesiones o peligros de muerte. **IMPORTANTE:** antes de comenzar a elevar un vehículo, consulte su manual de servicio para conocer las superficies de elevación recomendadas.

FORMA DE USO:

1. **Para levantar la carga:** Gire el mango en el sentido de las agujas del reloj hasta que esté apretado. Coloque el gato debajo de la carga. Proceda a bombear el mango para levantar el brazo de levantamiento hasta el nivel de la carga. En la medida que la silla en el extremo del brazo de levantamiento se acerque a la carga, posicione el gato de nuevo, con el fin de que la silla tenga contacto firme con la carga y la carga esté centrada sobre la silla. Asegúrese que la silla esté posicionada correctamente. Levante la carga hasta la altura de trabajo deseada. Coloque los soportes del gato de la capacidad adecuada en los puntos de soporte recomendados por el fabricante, los que brindan un soporte estable para el vehículo levantado. **¡NO SE ARRASTRE DEBAJO DEL VEHÍCULO MIENTRAS QUE SE ESTÉ LEVANTANDO EL VEHÍCULO O AL MOMENTO DE QUITAR LOS SOPORTES DEL GATO!** Una vez que los soportes del gato estén posicionados, gire el mango MUY LENTAMENTE. Baje la carga hasta que se recargue sobre los soportes del gato. Inspeccione la relación entre los soportes de gato y la carga para asegurar que el montaje esté estable y seguro. Si el montaje no está seguro ni estable, siga los pasos anteriores hasta que esté corregido. Si el montaje no es estable ni seguro, siga los pasos anteriores hasta que se haya corregido el problema. **NOTA.** Una vez que la operación manual de la bomba se haya cesado, se puede bloquear el conjunto del mango en una de tres (3) posiciones de seguridad del mango. Típicamente, las posiciones de cierre del mango se usan para mover el gato por el taller, mantener el mango apartado del área o para prevenir que se bombee el mango.
2. **Para bajar la carga:** Siga los procedimientos mencionados en la sección de "para levantar la carga" de las INSTRUCCIONES DE OPERACIÓN para levantar la carga fuera de los soportes del gato. Una vez que la carga sea liberada de los soportes del gato, quite los soportes de debajo de la carga y colóquelos lejos del área de trabajo. Gire el mango muy lentamente en el contrasentido de las agujas del reloj hasta que la carga esté completamente bajada al piso. Una vez que la silla de levantamiento del gato se haya despejado de la carga, quite el gato de debajo de la carga. **PRECAUCIÓN:** Mantenga las manos y los pies lejos del eje de articulación del gato.

MANTENIMIENTO DE SEGURIDAD



Este símbolo indica una alerta de seguridad y se utiliza en la parte de este manual que versa sobre el MANTENIMIENTO DE SEGURIDAD, con el fin de advertir sobre los peligros de accidentes personales. Observe todas las instrucciones para evitar lesiones o peligros de muerte.

MANTENIMIENTO DE SEGURIDAD (CONT.)

1. Siempre guarde el gato en un área protegida, en donde no quede expuesto a las condiciones climáticas, gases corrosivos, sustancias abrasivas u otros materiales perjudiciales. Antes de usar, compruebe que el gato no contenga restos de agua, nieve, arena o arcilla.
2. El gato se debe lubricar en forma periódica a fin de prevenir el desgaste prematuro de sus partes. Se debe aplicar grasa de uso general en todas las articulaciones, las ruedas pivotantes y del eje delantero, el brazo elevador, los pernos pivotantes de la base de la palanca, el sistema de seguridad y las demás superficies de apoyo. El desgaste prematuro de los componentes, debido a una falta de o la lubricación inadecuada no es elegible para consideraciones de garantía.
3. No debería ser necesario recargar ni llenar el receptáculo del líquido hidráulico, salvo si existen fugas. En caso de fugas, un técnico calificado en reparación de sistemas hidráulicos que conozca el funcionamiento de este dispositivo deberá realizar su reparación inmediata en un lugar libre de suciedad.

IMPORTANTE: A fin de prevenir daños en las juntas herméticas y fallas en el dispositivo, no use alcohol, líquido de frenos hidráulicos ni aceite de transmisión en el gato. Use aceite hidráulico de Chevron AW 150 32 o, su equivalente, Unocal Unax AW150.

4. El propietario del gato es responsable de mantener sus etiquetas en buen estado de conservación. Use una solución jabonosa suave para lavar el exterior del gato, sin aplicarla a ninguna de las partes del sistema hidráulico.
5. Verifique el gato antes de usarlo. No use el gato si alguna de sus partes está quebrada, rota, torcida o dañada, ni cuando el sistema hidráulico tenga fugas. No use el gato si presenta alteraciones o es inestable debido a piezas metálicas o partes desajustadas o faltantes. Tome las medidas de corrección apropiadas antes de usar el gato otra vez.
6. No repare el sistema hidráulico a menos que sea un técnico calificado que conozca el funcionamiento de este dispositivo.

DIAGNÓSTICO DE AVERÍAS

Importante: Los gatos de servicio son dispositivos autónomos usados para el levantamiento, pero no para el sostenimiento, de una carga vehicular parcial. De acuerdo con la norma de ASME-PALD, de la prueba de sostenimiento de carga: "Una carga no menos que la capacidad nominal ...no deberá más de 1/8" (3.18mm) en el primer minuto, ni un total de .1875" (4.76mm) en 10 minutos." Bajar dentro de este rango se considera como una operación normal y NO es un defecto garantizable.

PROBLEMA	ACCIÓN
1.El equipo no levantará la carga.	Expulsa el aire del sistema hidráulico al seguir el procedimiento bajo LAS INSTRUCCIONES DE OPERACIÓN
2. El equipo no sostendrá la carga o se siente	Expulsa el aire del sistema hidráulico como indicado anteriormente. esponjoso bajo la carga.
3. El equipo no levantará la carga hasta la altura normal.	Expulsa el aire del sistema hidráulico como indicado anteriormente. Revisa que los niveles de aceite no estén ni altos ni bajos.
4. El mango tiende a levantarse mientras el equipo.	Sube y baja el mango rápidamente varias veces para empujar sostiene una carga. el aceite más allá de las válvulas de cojinete en el aparato de capacidad eléctrica.
5. El equipo aún no funciona.	Comuníquese con un centro de servicio hidráulico autorizado de Sunex.

GARANTÍA LIMITADA

SUNEX INTERNATIONAL, INC., LE GARANTIZA A SUS CLIENTES QUE LAS HERRAMIENTAS Y PRODUCTOS CON LA MARCA DE LA EMPRESA SUNEX TOOLS NO CONTIENEN DEFECTOS EN SU MANO DE OBRA NI MATERIAS PRIMAS.

Sunex International, Inc., reparará o sustituirá sus productos con la marca Sunex Tools® que reflejen fallas en el funcionamiento satisfactorio debido a que la mano de obra o las materias primas estén defectuosas, tomando como base las cláusulas y condiciones de los planes de garantía descritos a continuación y asignados a ese producto específico. Este producto tiene una garantía de UN AÑO. Durante este periodo de garantía, Sunex Tools reparará o repondrá, a nuestra opción, cualquier parte o unidad la cual demuestra ser defectuosa en cuanto a material o mano de obra.

Otra importante información de la garantía...

Esta garantía no cubre daños a equipo o herramientas debido a modificaciones, abuso, mal uso o daños y no cubre ninguna reparación o sustitución hecha por ninguna persona que no sea Sunex Tools o alguno de sus centros de servicio de garantía autorizados. La obligación antes mencionada queda bajo la responsabilidad exclusiva de Sunex Tools® según se menciona o de cualquier garantía implícita y bajo ninguna circunstancia quedará bajo su responsabilidad cualquier garantía implícita ya bajo ninguna circunstancia quedará bajo su responsabilidad cualquier daño incidental o consequential.

NOTA: Algunos estados no permiten la exclusión ni limitación de daños. Devuelva el equipo o partes a un centro de servicio autorizado, con el flete prepago. Asegúrese de incluir su nombre y dirección, comprobación de la fecha de compra, y la descripción del defecto sospechado. Si usted tiene alguna pregunta acerca del servicio de garantía, escriba por favor a Sunex Tools. Esta garantía le brinda derechos legales específicos y usted puede contar con derechos adicionales los cuales varían de estado a estado. Están disponibles equipos de reparación y partes de sustitución para muchos de los productos de Sunex Tools, independientemente del hecho de que el producto aún esté cubierto o no por un plan de garantía

DIRECCIÓN A EMBARCARSE:

Sunex Tools
315 Hawkins Rd.
Travelers Rest, South Carolina 29690

DIRECCIÓN DE CORREOS:

Sunex Tools
P.O. Box 1233
Travelers Rest, South Carolina 29690

MANUEL D'OPERATION

CONTENU:

Page	11	Spécifications et caractéristiques
	12	Information d'avertissement
	13	Joint, opération et maintien
	14	Diagnostic avaries et information de garantie



SPÉCIFICATIONS

Hauteur minimum.....	5 po
Hauteur maximum.....	22 po
Longueur.....	55-1/2 po
Anchura global.....	17 po
Longueur de la poignée.....	45-3/4 po
Diamètre de selle.....	5.75 po
Poids d'expédition.....	225 lbs.

AVERTISSEMENTS



Ce symbole indique un danger potentiel. Il est utilisé pour avertir l'utilisateur des risques potentiels de blessures corporelles. Prière de respecter toutes les consignes de sécurité qui suivent ce symbole afin d'éviter les blessures ou la mort potentielles.

AVERTISSEMENT

AVERTISSEMENT : Ce symbole indique une situation dangereuse qui pourrait causer la mort ou des blessures graves si elle n'est pas évitée.



IMPORTANT : LIRE CES CONSIGNES AVANT L'UTILISATION.

PRIÈRE DE LIRE CES CONSIGNES ATTENTIVEMENT ET DE S'ASSURER DE BIEN COMPRENDRE LES PROCÉDURES D'UTILISATION, LES AVERTISSEMENTS DE SÉCURITÉ ET LES BESOINS EN MATIÈRE D'ENTRETIEN DE L'OUTIL AVANT DE L'UTILISER.

Le propriétaire doit s'assurer que tous les employés lisent ce manuel avant d'utiliser l'outil. Le propriétaire de l'outil doit aussi maintenir ce manuel en bon état et le ranger dans un endroit facilement accessible à tous ceux qui doivent le lire. Si le manuel ou les étiquettes de l'outil sont perdus ou illisibles, communiquer avec Sunex pour obtenir un remplacement. Si l'utilisateur ne parle pas couramment le français, les consignes de sécurité et le mode d'emploi de l'outil devront lui être lues à haute voix et être discutées avec l'utilisateur, dans sa langue maternelle, par le propriétaire/acheteur ou une personne désignée, afin d'assurer que l'utilisateur en comprenne les bien le contenu.

LE TYPE DE SITUATIONS DANGEREUSES

AVERTISSEMENT

L'utilisation de dispositifs de levage portatifs pour automobiles expose l'utilisateur à certains dangers qui ne peuvent pas être évités par des moyens mécaniques, mais seulement en faisant preuve d'intelligence, d'attention et de bon sens. Il est donc essentiel que les propriétaires et les employés qui utiliseront ce dispositif soient prudents, compétents, qualifiés et formés à l'utilisation sécuritaire de l'équipement. Des exemples de dangers comprennent le renversement, le glissement ou la chute soudaine de la charge. Ces dangers sont principalement imputables à une charge mal répartie, une utilisation sur une surface meuble ou inclinée, ou une utilisation à des fins autres que celles pour lesquelles le dispositif a été conçu.

MÉTHODES POUR ÉVITER LES SITUATIONS DANGEREUSES

AVERTISSEMENT

- Lire, comprendre et appliquer toutes les consignes avant d'utiliser ce dispositif.
- Inspecter le cric avant chaque utilisation. Ne pas utiliser le cric s'il est endommagé, modifié, en mauvais état, instable en raison de pièces ou de quincaillerie manquantes ou lâches ou s'il y a fuite de fluide hydraulique. Effectuer les réparations ou les réglages nécessaires avant l'utilisation.
- Placer le cric uniquement aux points spécifiés par le constructeur du véhicule.
- Porter des lunettes de sécurité qui répondent aux normes de l'OSHA et aux exigences de la norme ANSI Z87.1.
- Ne pas dépasser la capacité nominale du cric.
- Ce dispositif sert uniquement au levage. Immédiatement après avoir levé le véhicule, placer les chandelles appropriées avant de travailler sur le véhicule.
- Utiliser le cric seulement sur une surface de niveau et solide. Celle-ci doit être exempte d'obstructions afin que le cric puisse se repositionner durant le levage et la descente.
- Centrer la charge sur la selle. S'assurer de la stabilité de l'installation avant de travailler sur le véhicule.
- Ne pas déplacer le véhicule lorsqu'il est supporté par le cric.
- Ne pas utiliser d'adaptateurs ou de rallonges de selle entre celle-ci et la charge.
- Ne pas utiliser d'adaptateurs à moins qu'ils ne soient approuvés ou fournis par Sunex.
- Toujours abaisser le cric lentement et prudemment.
- L'inobservance de ces méthodes peut causer des dommages matériels, des blessures corporelles graves ou mortelles, ou les deux.

CONSÉQUENCES EN CAS DE SITUATIONS DANGEREUSES

AVERTISSEMENT

L'inobservance des CONSIGNES D'UTILISATION, des MISES EN GARDE, des CONSIGNES D'ENTRETIEN ainsi que des MÉTHODES POUR ÉVITER LES SITUATIONS DANGEREUSES peut causer des accidents ayant pour conséquences des dommages matériels ou des blessures corporelles graves ou mortelles.

MANUEL D'OPERATION

INSTALLATION

VEUILLEZ CONSULTER LA VUE ÉCLATÉE POUR IDENTIFIER LES PIÈCES.

1. Afin d'installer l'assemblage de poignée (article no 54) dans la douille de poignée (article no 32), alignez d'abord le tube principal de poignée avec le plus grand trou dans la douille de poignée et la tige de la goupille de sécurité avec le trou plus petit dans la douille de la poignée.
2. Assurez-vous que la tige de la goupille de sécurité est en position basse/verrouillée avant l'insertion dans la douille de poignée. Une fois le tube et que la tige de la goupille de sécurité sont alignées avec leurs trous respectifs dans la douille de poignée, pousser l'assemblage de poignée dans la douille de poignée ainsi l'extrémité du tube de poignée engagera le mécanisme de valve de relâchement dans le fond de la douille de poignée et la tige de la goupille de sécurité engagera l'un des trois (3) trous de verrouillage dans l'armature (article no 1).
3. Tournez maintenant la partie en T de l'assemblage de poignée afin qu'il soit parfaitement aligné avec le cric avant de serrer le boulon de l'article no 36 et l'écrou de l'article no 34. Serrez le boulon et l'écrou ainsi la poignée ne peut pas tourner. Désengagez la tige de la goupille de sécurité en tirant vers le haut sur le levier et en engageant le levier avec la fente sur le dessus de l'assemblage de poignée équipée. L'assemblage de poignée devrait être délogé pour le pompage de haut en bas.
4. Afin de vérifier l'alignement approprié de l'assemblage de poignée avec la douille de poignée, voyez si la tige de la goupille de sécurité s'engage dans les trois trous de verrouillage dans l'armature. Aussi, tournez le bouton de la soupape de relâchement au dessus de l'assemblage de poignée à gauche et ensuite à droite pour voir si le joint universel de la soupape de relâchement de l'avant et au-dessous de la douille de poignée tourne simultanément avec la rotation du bouton.
5. Avant l'utilisation : De l'air peut être emprisonné dans le circuit hydraulique.

PURGE DE L'AIR DU CIRCUIT HYDRAULIQUE:

- a. Tournez le bouton sur le dessus de l'assemblage de poignée dans le sens horaire jusqu'au serrage. Maintenant, tournez deux tours complets dans le sens antihoraire.
- b. Activez la pédale de la pompe à pied (article no 33) environ 15 fois.
- c. Tournez le bouton sur le dessus de l'assemblage de poignée dans le sens horaire jusqu'à ce qu'il soit serré.
- d. Activez la pompe de pied jusqu'à ce que le bras de levage atteigne la hauteur maximum. Vous devriez éprouver une pleine course de pompe à chacune des courses de la pédale.
- e. Si vous jugez que vous n'obtenez pas une pleine course à tout moment pendant l'opération de pompage, répétez les étapes (a) jusqu'à (d) ; jusqu'à ce que tout l'air soit purgé du système.

MODE D'EMPLOI



Ce symbole sert à identifier les risques de blessures dans la rubrique MODE D'EMPLOI. Suivre les consignes afin d'éviter les risques de blessure ou de mort.

IMPORTANT: Avant d'effectuer une tentative de levage d'un véhicule quelconque, consulter le manuel du propriétaire du véhicule pour en connaître les points d'appuis recommandés par le constructeur.

MODE D'EMPLOI :

1. Pour soulever la charge : Tournez la poignée dans le sens des aiguilles d'une montre jusqu'à ce qu'elle soit bien serrée. Placez le cric sous la charge. Commencez à pomper la poignée afin de soulever le bras de levage jusqu'à la charge. Alors que la selle à l'extrémité du bras de levage s'approche de la charge, replacez le cric afin que la selle entre fermement en contact avec la charge et afin que la charge soit centrée sur la selle. Assurez-vous que la selle est correctement positionnée. Soulevez la charge à la hauteur de travail désirée. Placez les chandelles de la capacité appropriée aux emplacements de soutien recommandés par le fabricant du véhicule afin de fournir un soutien stable pour le véhicule soulevé. **NE RAMPEZ PAS SOUS LE VÉHICULE LORS DU SOULÈVEMENT DE CELUI-CI OU NE RETIREZ PAS LES CHANDELLES!** Une fois que les chandelles sont placées de manière appropriée, tournez la poignée TRÈS LENTEMENT. Abaissez la charge afin qu'ils reposent sur les chandelles. Inspectez le rapport entre les chandelles et la charge afin de vous assurer que l'installation est stable et sécuritaire. Si l'installation n'est pas stable ou sécuritaire, suivez les étapes précédentes jusqu'à ce que la situation soit corrigée. Si le montage n'est pas stable ou sécuritaire suivre les étapes précédentes jusqu'à correction. **NOTE.** Une fois que l'opération de pompage à main est terminée, l'assemblage de poignée peut être verrouillé dans l'une des trois (3) positions de blocage. Typiquement, les positions de blocage de poignée sont utilisées pour le déplacement du cric dans l'usine, maintenir la poignée à l'écart ou empêcher la poignée d'être pompée.
2. **Pour abaisser la charge :** Suivez les procédures mentionnées dans la section « Pour soulever la charge » des INSTRUCTIONS D'UTILISATION afin de soulever la charge hors des chandelles. Une fois que la charge a libéré les chandelles, retirez les chandelles de dessous la charge et loin de la zone de manoeuvre. Tournez la poignée très lentement dans le sens contraire des aiguilles d'une montre jusqu'à ce que la charge soit complètement abaissée au sol. Une fois que la selle de levage du cric a libéré la charge, retirez le cric du dessous de la charge. **ATTENTION :** Gardez les mains et les pieds hors de portée du mécanisme de charnière du cric.

ENTRETIEN PRÉVENTIF



Ce symbole sert à identifier les risques de blessures dans la rubrique ENTRETIEN PRÉVENTIF. Suivre les consignes afin d'éviter les risques de blessure ou de mort.

ENTRETIEN PRÉVENTIF (SUITE)

1. Toujours ranger le cric dans un endroit bien protégé des intempéries, des vapeurs corrosives, de la poussière abrasive ou de tout autre élément dommageable. La neige, l'eau, le sable et la poussière doivent être nettoyés avant d'utiliser le cric.
2. Le cric doit être lubrifié périodiquement afin d'éviter l'usure prématurée des pièces. Une graisse à usage général doit être appliquée sur tous les embouts graisseurs, les roulettes, l'essieu avant, le bras de levage, l'axe d'articulation du support du manche, le mécanisme de dégagement et toutes les surfaces portantes. Cualquier gato que se encuentra defectuoso como resultado de contaminantes extraños en el sistema hidráulico no es elegible para consideraciones de garantía.
3. Il n'est pas nécessaire de remplir ou de rajouter du fluide hydraulique dans le réservoir, sauf si une fuite externe est détectée. En cas de fuite externe alors que le cric est toujours sous garantie, rapporter le cric dans n'importe quel magasin SUNEX pour une réparation ou un remplacement sous garantie.

IMPORTANT: Afin de ne pas endommager les joints d'étanchéité et entraîner le bris du cric, ne jamais utiliser d'alcool, de liquide pour freins ou d'huile pour transmission dans le cric. Use aceite hidráulico de Chevron AW 150 32 o, su equivalente, Unocal Unax AW150.

4. Il incombe au propriétaire du cric de garder propres et lisibles les étiquettes du cric. Laver les surfaces externes du cric à l'aide d'un savon doux, tout en évitant les pièces hydrauliques mobiles.
5. Une inspection visuelle du cric devrait être effectuée avant chaque utilisation. Ne pas utiliser le cric si des pièces présentent des signes de dommages tels que des fissures, des fuites ou des pièces endommagées, déformées ou manquantes. Ne pas utiliser le cric si des pièces sont manquantes, lâches ou ont été modifiées d'une façon quelconque. Effectuer les correctifs nécessaires avant d'utiliser le cric à nouveau.
6. Toute modification, réparation, ou les deux, effectuée par une personne non autorisée entraînera l'annulation de la garantie.

DÉPANNAGE

Important : Les crics de levage sont des mécanismes autonomes qui servent à soulever des charges et non à soutenir une charge partielle de véhicule. Conformément à normes de l'ASME-PALD, portant sur le test de soutien d'une charge : « Une charge qui ne dépasse pas la capacité nominale...ne s'abaissera pas de plus 1/8 po (3,18 mm) la première minute, et ne s'abaissera pas de plus de 0,1875 po (4,76) au bout de 10 minutes. » Une fuite en-deçà de cette marge est considérée normale et n'est pas considérée comme un vice de fabrication pouvant se réclamer de la garantie.

PROBLÈME	ACTION
1. L'unité ne lèvera pas la charge.	Purger l'air du système hydraulique en suivant la procédure selon la configuration.
2. L'unité ne supportera pas la charge ou est 'spongieuse' sous la charge.	Purger l'air du système hydraulique comme mentionné ci-dessus.
3. L'unité ne lèvera pas à hauteur complète.	Purger l'air du système hydraulique comme mentionné ci-dessus ou vérifier le niveau de l'huile dans le réservoir.
4. La poignée tend à augmenter vers le haut tandis que l'unité est sous la charge.	Pompez la poignée rapidement plusieurs fois de pousser l'huile après des robinets à tournant sphérique dans l'unité de puissance.
5. L'unité ne fonctionne toujours pas.	Comuníquese con un centro de servicio hidráulico autorizado de Sunex

GARANTIE LIMITÉE

SUNEX INTERNATIONAL, INC. GARANTI À SES CLIENTS QUE LES PRODUITS DE L'ENTREPRISE SUNEX TOOLS® SONT EXEMPTS DES DÉFAUTS DE MAIN-D'ŒUVRE ET DE MATÉRIAUX.

Sunex International, Inc. réparera ou remplacera ses outils de marque Sunex Tools® qui ne donnent pas un service satisfaisant à cause d'un défaut de main d'œuvre ou de matériau, selon les termes et conditions décrits ci-dessous dans les plans de garantie correspondant à ce produit spécifique. Ce produit a une garantie de UN AN. Pendant la période de garantie, Sunex Tools® réparera ou remplacera, à sa seule discrétion, toute pièce ou tout appareil dont il a été déterminé qu'il comporte un défaut de matériau ou de main d'œuvre.

Autres informations importantes sur la garantie...

Cette garantie ne couvre pas les dommages à de l'équipement ou à des outils modifiés, sujets à des abus ou à une utilisation incorrecte, ou encore endommagés; elle ne couvre pas les réparations ou le remplacement effectué par quiconque autre que Sunex Tools® ou ses centres de services de garantie autorisés. L'obligation qui précède constitue la seule responsabilité de Sunex Tools® en vertu de cette garantie ou de toute garantie implicite; et en aucun cas Sunex Tools ne pourra être responsable pour des dommages indirects ou consécutifs.

Remarque : Certaines juridictions ne permettent pas l'exclusion ou la limitation des dommages indirects ou consécutifs; la limitation ou l'exclusion ci-dessus pourrait donc ne pas s'appliquer à votre cas. Retourner l'équipement ou les pièces à Sunex Tools®, ou à un centre de service de garantie autorisé, port prépayé. S'assurer d'inclure votre nom, votre adresse, une preuve de la date d'achat et la description de la défaillance présumée. Pour toutes questions concernant le service de garantie, communiquez avec les « Outils Sunex ». Cette garantie vous donne des droits légaux spécifiques et vous pouvez également avoir d'autres droits qui varient d'un état à l'autre. Les trousseaux de réparation et les pièces de rechange sont disponibles pour plusieurs des outils Sunex, peu importe si les produits sont toujours couverts par un plan de garantie.

ADRESSE D'EXPÉDITION:

Sunex Tools
315 Hawkins Rd.
Travelers Rest, South Carolina 29690

ADRESSE POSTALE:

Sunex Tools
P.O. Box 1233
Travelers Rest, South Carolina 29690