



ATTENTION: Refer to the appropriate shop manual for your vehicle to obtain specific service procedures for this part. If you do not have a service manual or lack the skill to install this part, it is recommended that you seek the services of a qualified technician. Pay special attention to all cautions and warnings included in the shop manual. Read and follow all instructions carefully.

Honda Accord (4 Door) 2003-2007

Prior to installing the window regulator assembly, manually slide the window glass through its travel in the window glass channels to check for excessive resistance.

Always inspect the visible portion of the window glass channel for damage. If the window glass run channel is visibly damaged, then replace it. Pay close attention just below the door skin; this is a common area for the window glass run channel to be pinched. Clean the window glass channels using a soapy water solution, then apply grease.

To ensure proper installation of the window regulator assembly it is vital to confirm that the window is properly aligned within the window glass run channels.

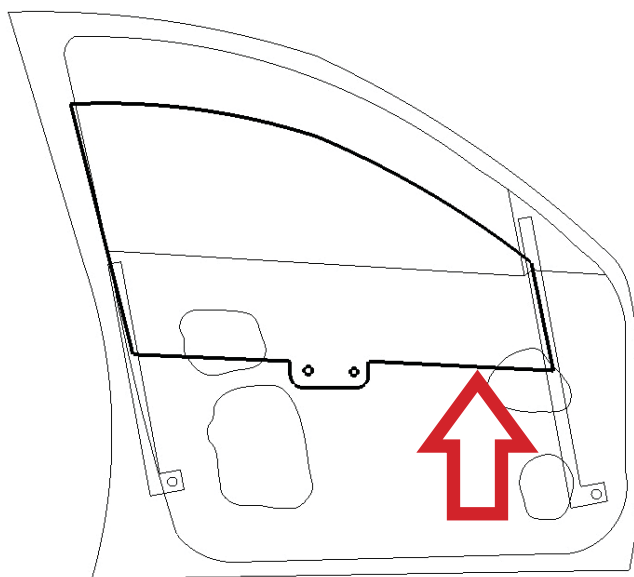
STEP 1: After installation of the window regulator assembly, install the window glass to the window regulator assembly lift plate. Do not completely tighten the fasteners at this time.

STEP 2: Notice that the mounting points from the window regulator assembly lift plate to the window are slots. This is where alignment can be adjusted for smooth operation of the window glass within the window channels.

STEP 3: Press upward slightly on the right side of the window glass to adjust the window. This will place the left side of the window glass flush with the left window channel.

STEP 4: Completely tighten the fasteners for attaching the window regulator assembly lift plate to the window glass at this time.

STEP 5: Temporarily connect power to the window regulator. Actuate the window regulator assembly up and down to ensure smooth operation. If there is any resistance in the system repeat the steps above.



Be sure to check for gaps and to ensure that the weather-stripping did not fold underneath the window glass at any point of the window glass run channels.

Failure to properly align the window glass can result in additional resistance on the window regulator assembly. This can lead to premature failure of the window regulator assembly.

Disclaimer:

Even though every attempt is made to ensure this information is complete and accurate, it is impossible to account for all possible circumstances or situations. Please consult with a qualified auto technician before attempting to perform any work you are not qualified to do. Automobiles can be hazardous to work on; be sure to take all necessary safety precautions. Failure to do so may result in property damage or personal injury. Certain motor vehicle standards and performance requirements may apply to your motor vehicle (such as Federal Motor Vehicle Safety Standards by the National Highway Traffic Safety Administration). Be sure that your work is performed in accordance with such standards and that you do not disable any motor vehicle safety feature.

©2014 Dorman Products, Inc.

No reproductions in whole or in part without prior written approval.