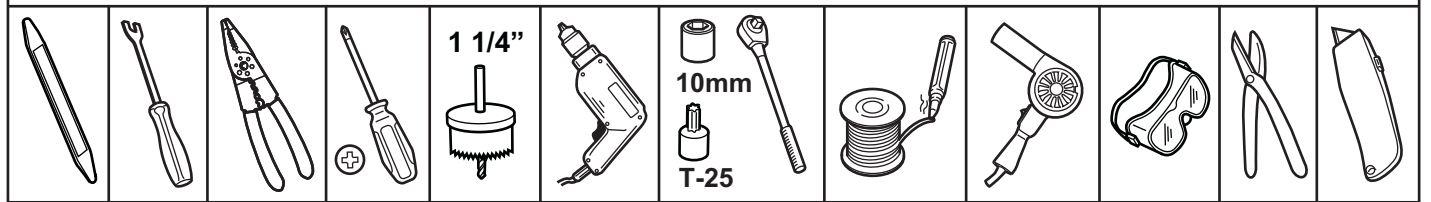
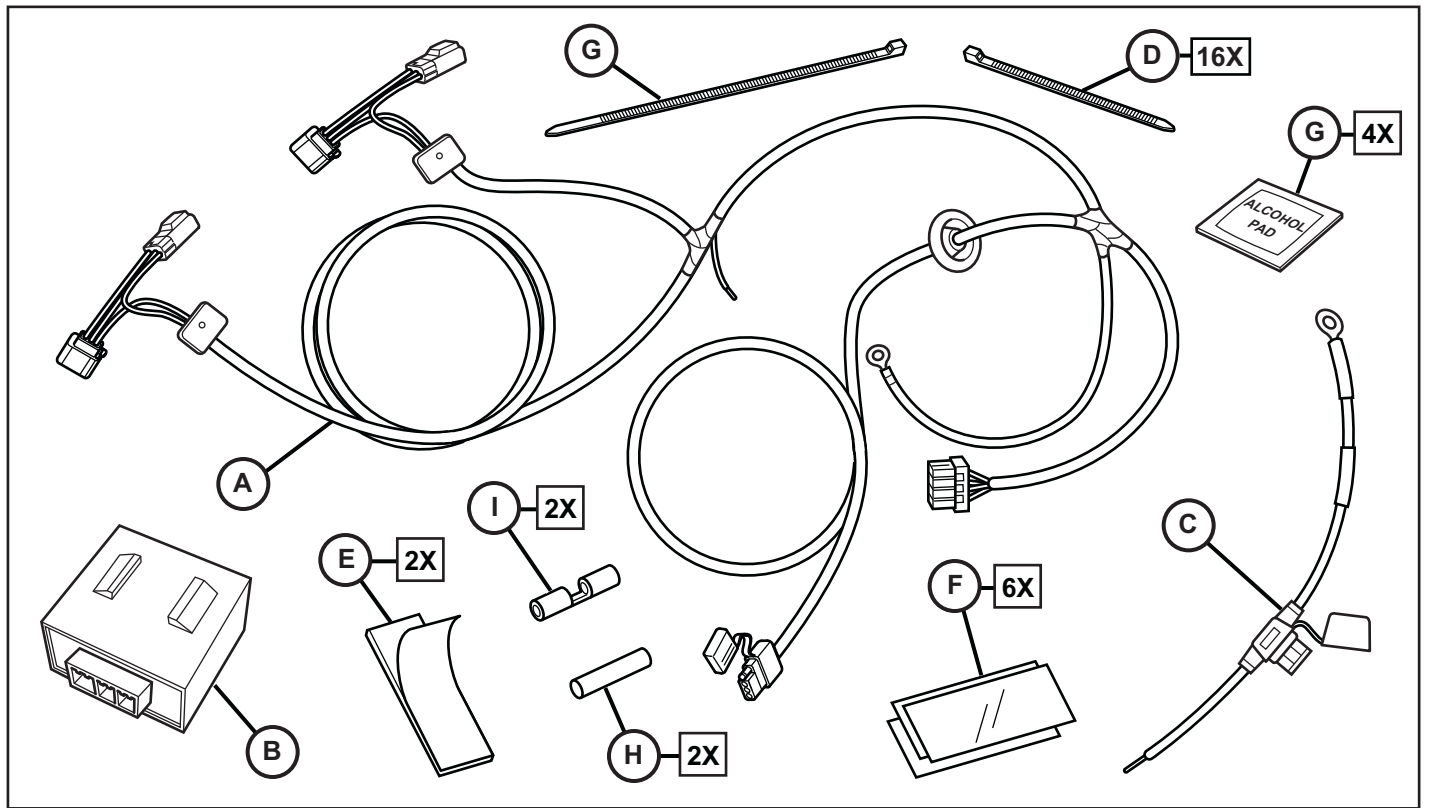
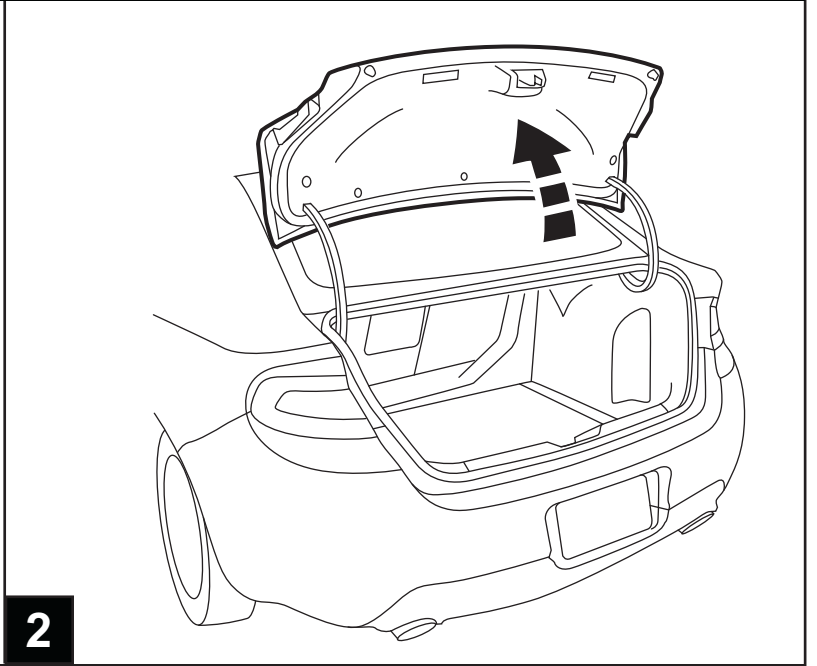
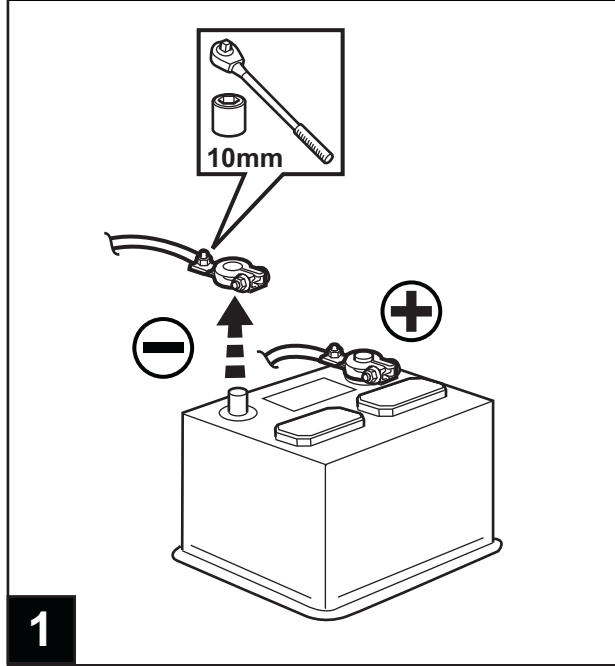


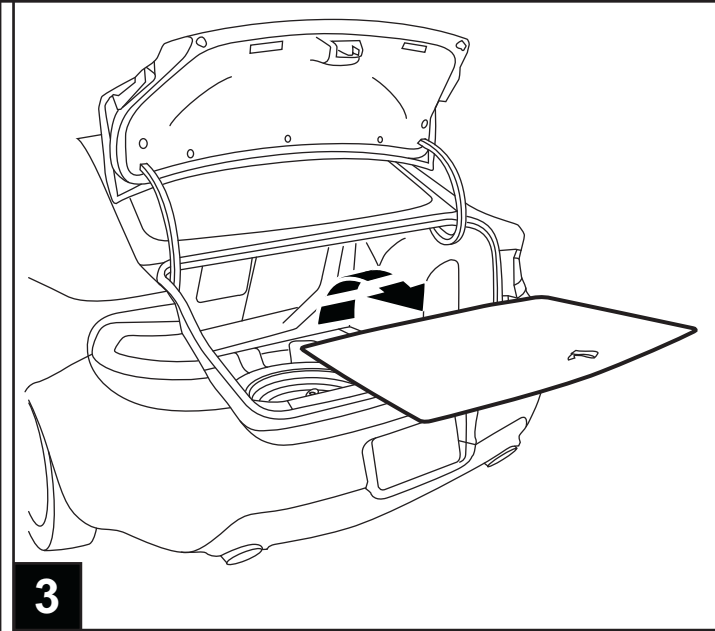


DODGE DART TRAILER HITCH HARNESS

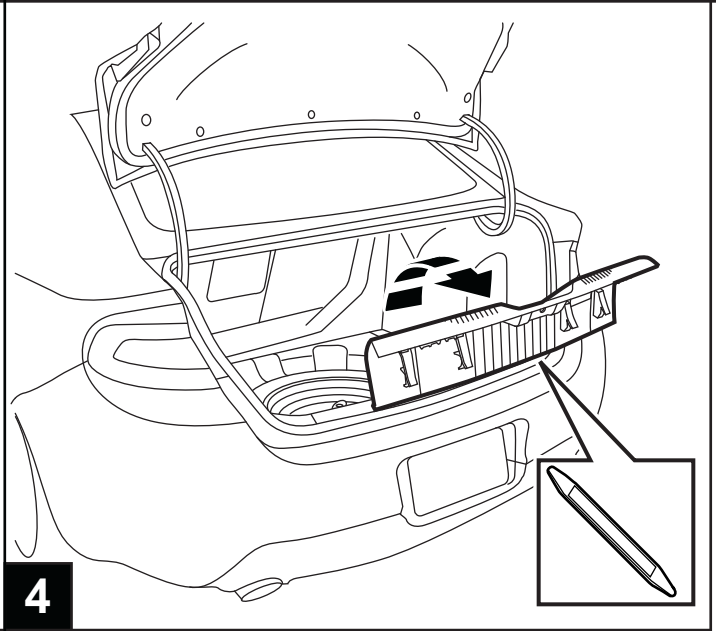


NOTE: VEHICLE MUST BE EQUIPPED WITH TRAILER HITCH BEFORE PROCEEDING

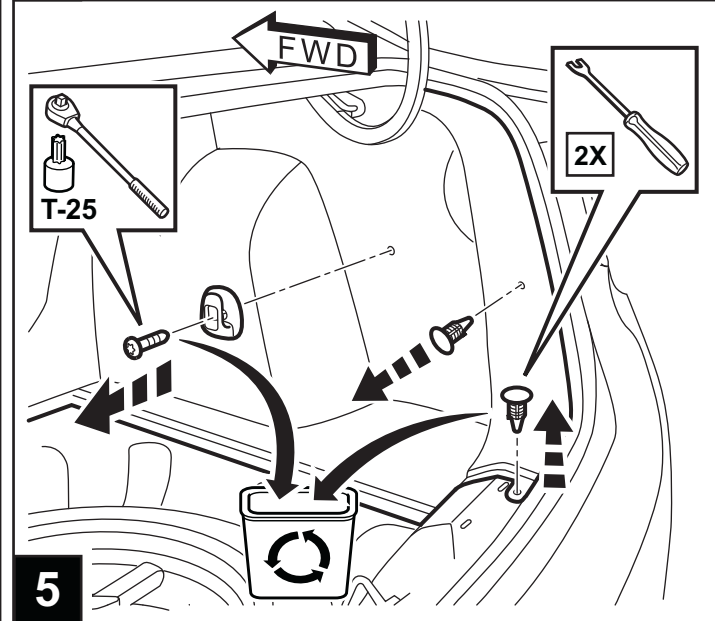




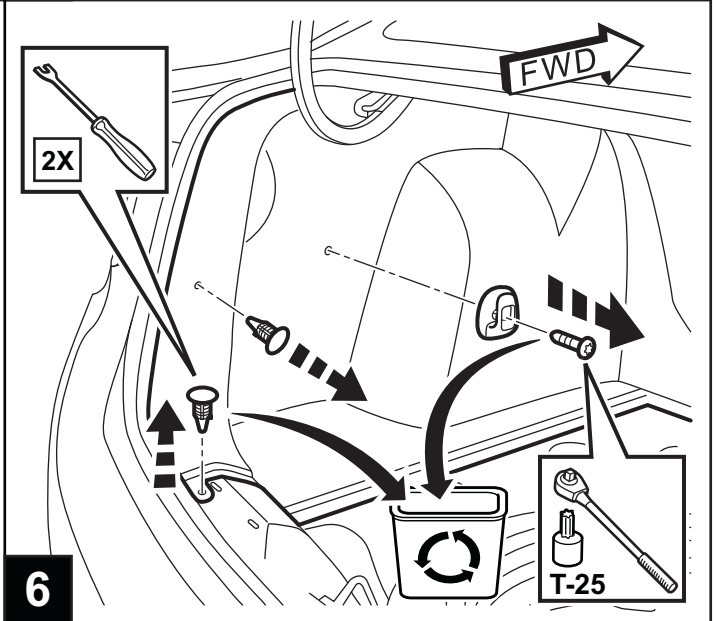
3



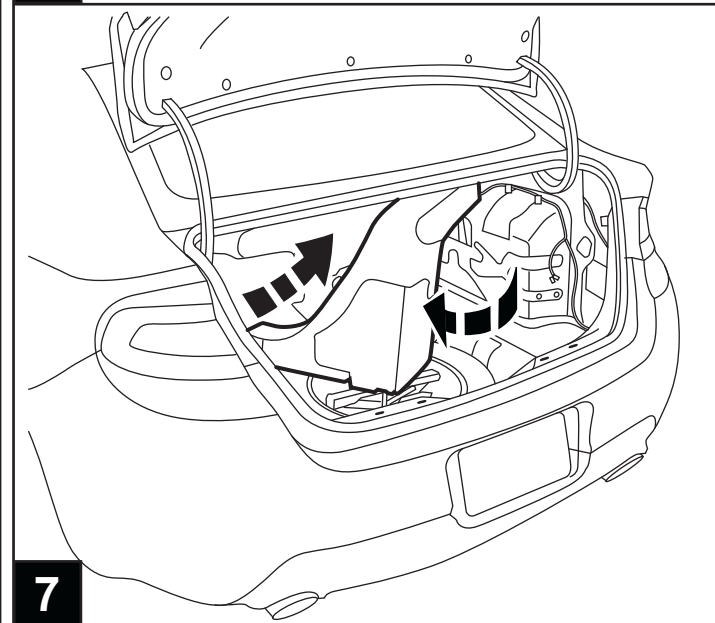
4



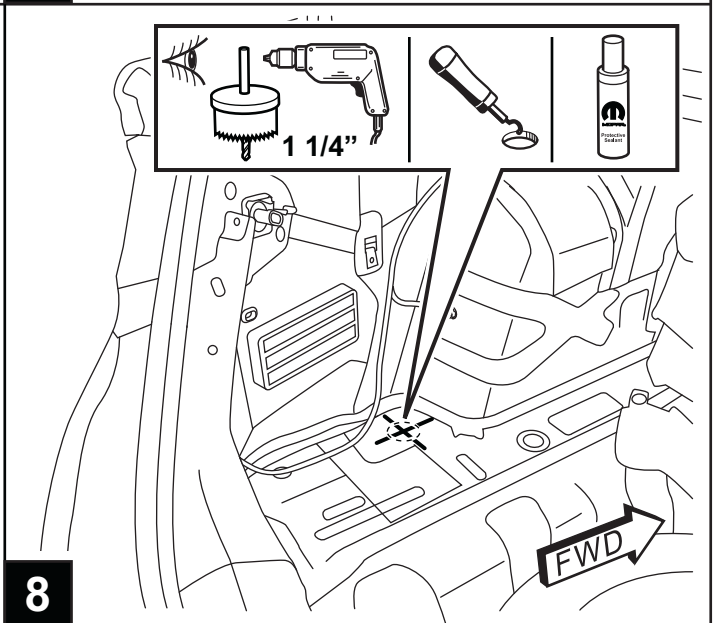
5



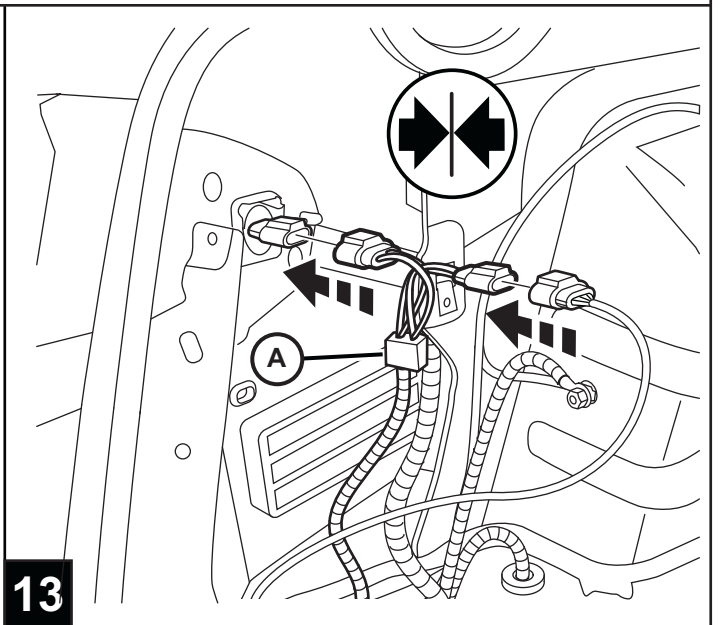
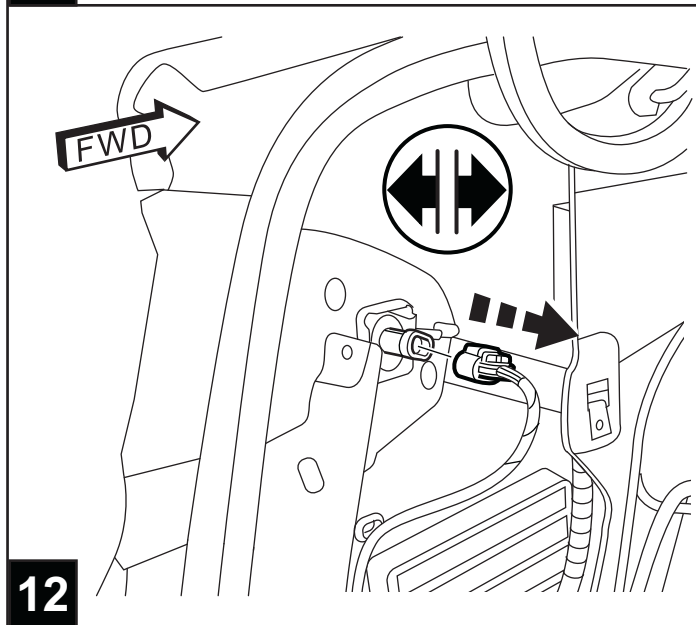
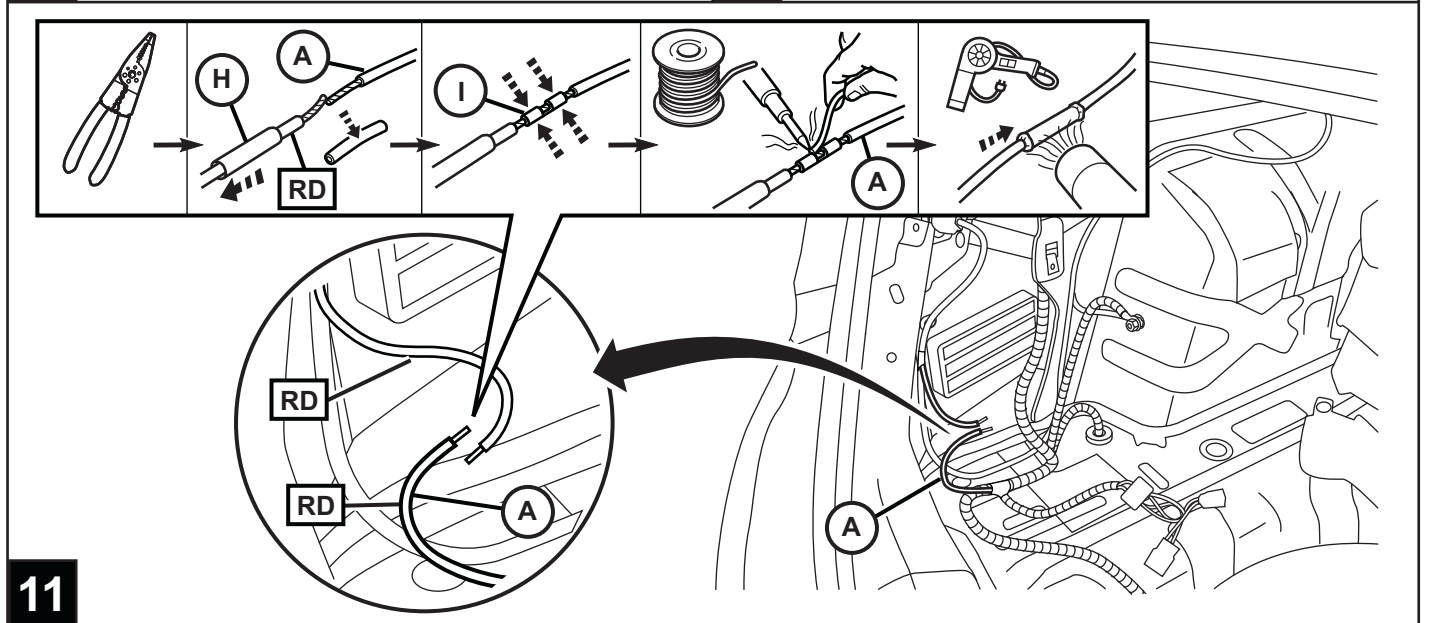
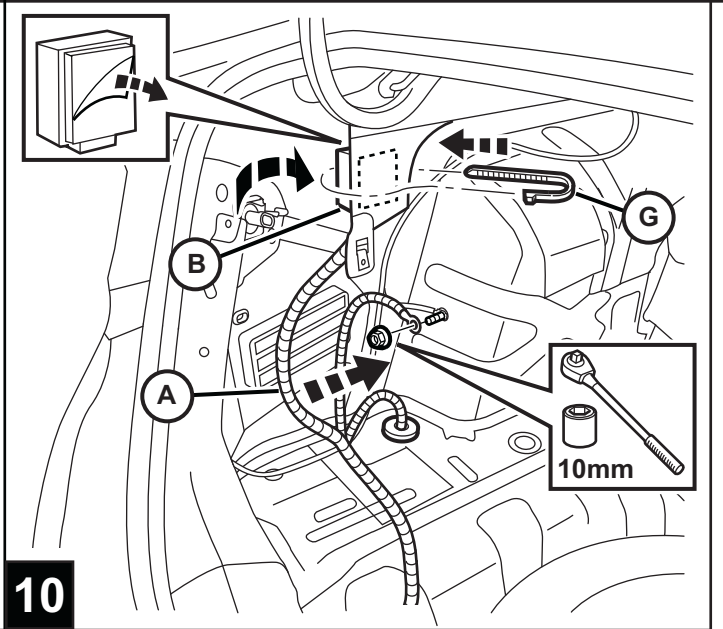
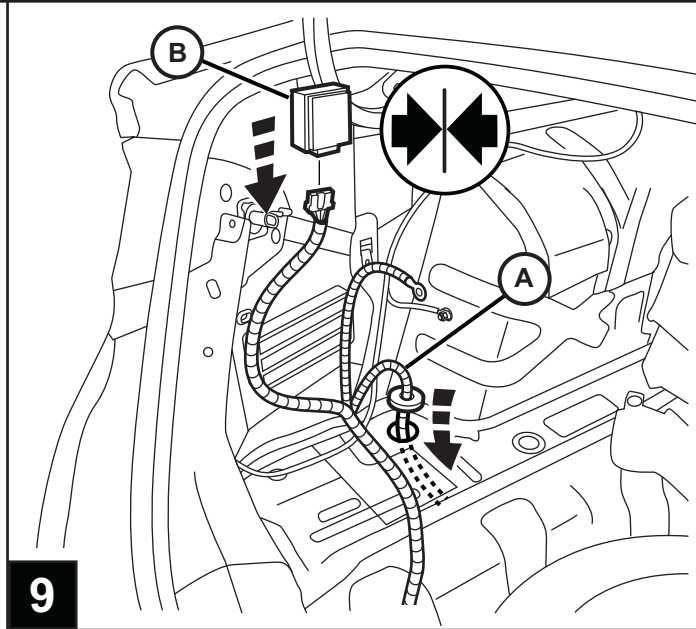
6

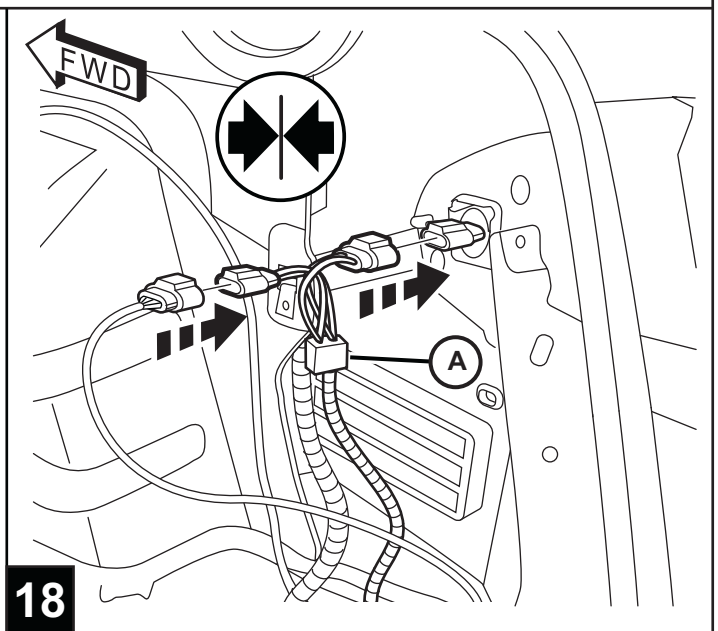
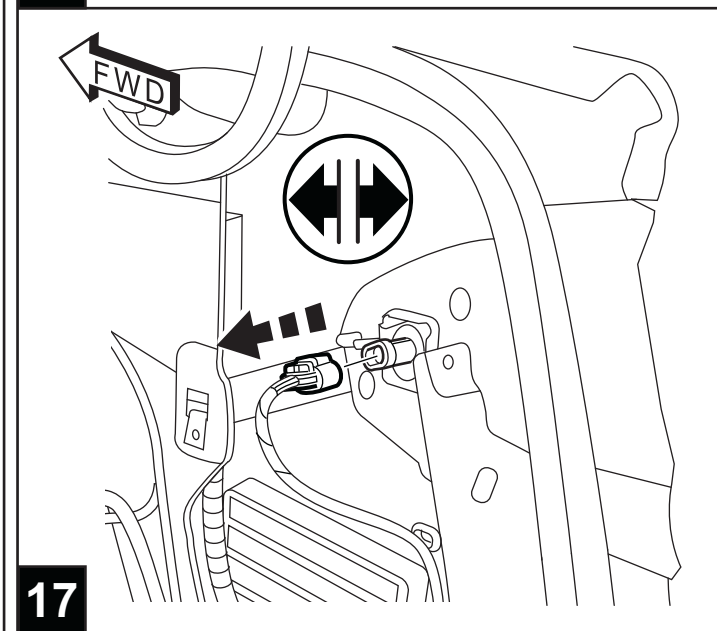
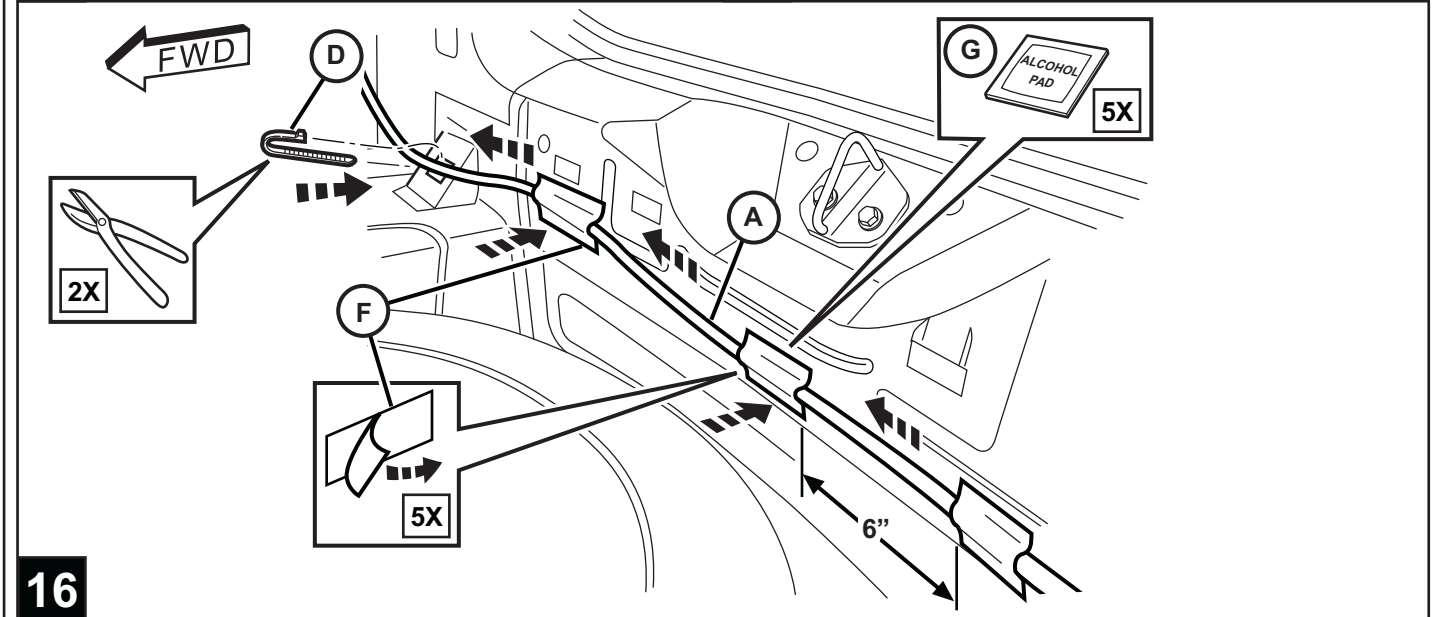
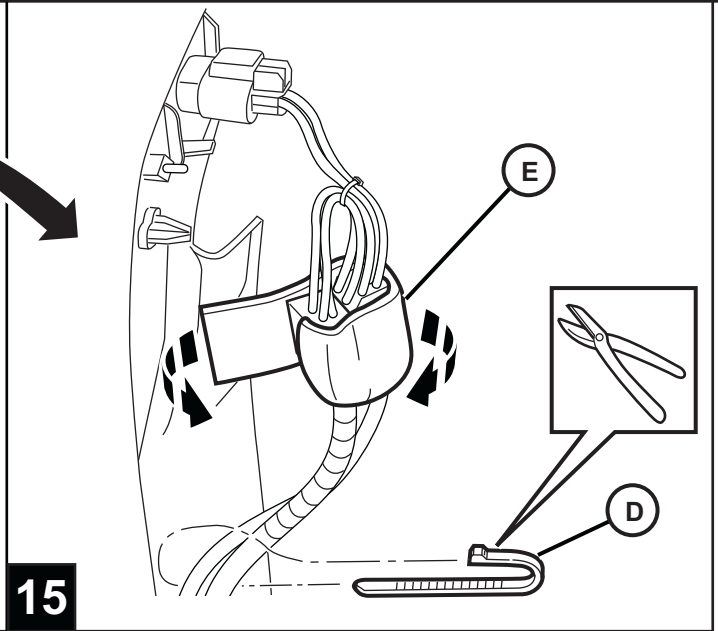
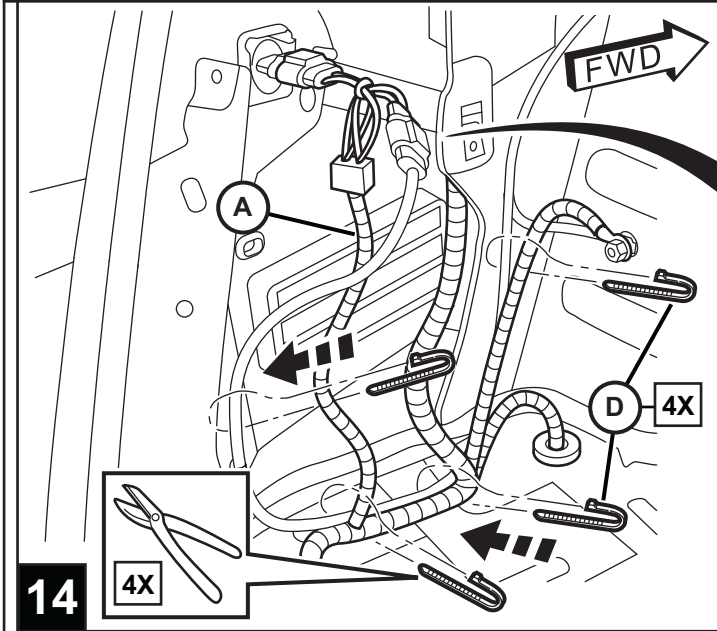


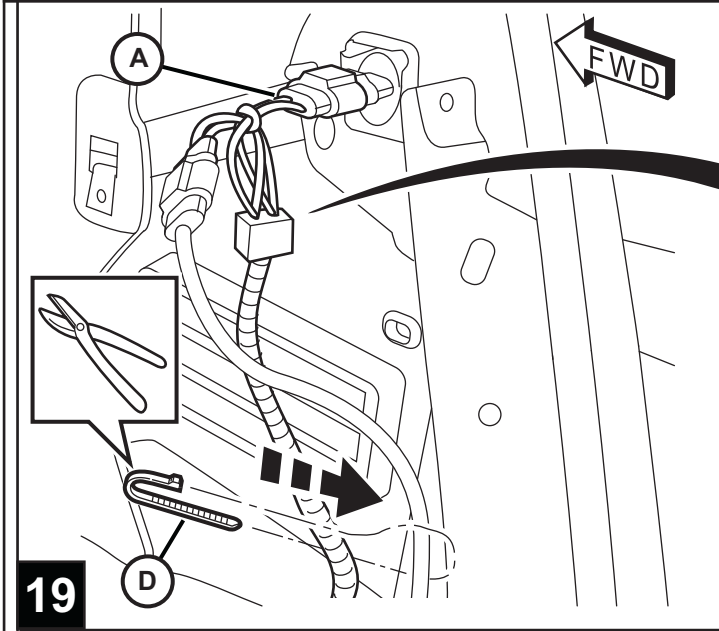
7



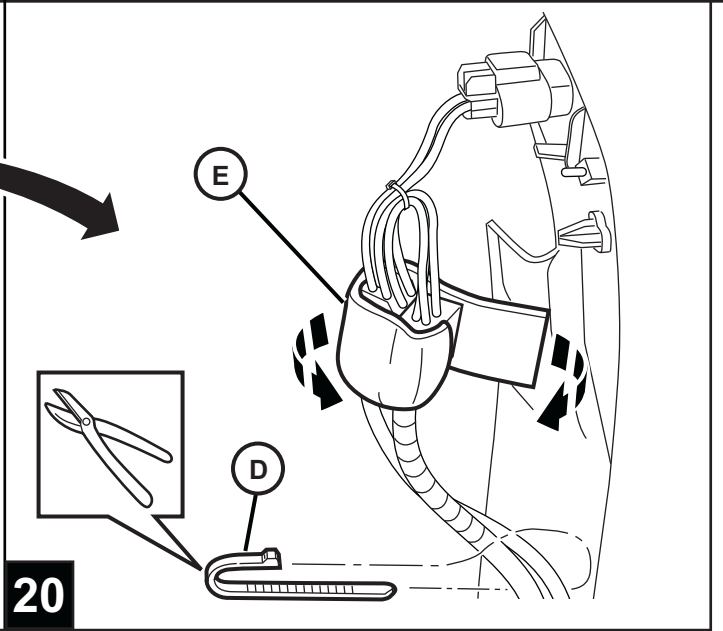
8



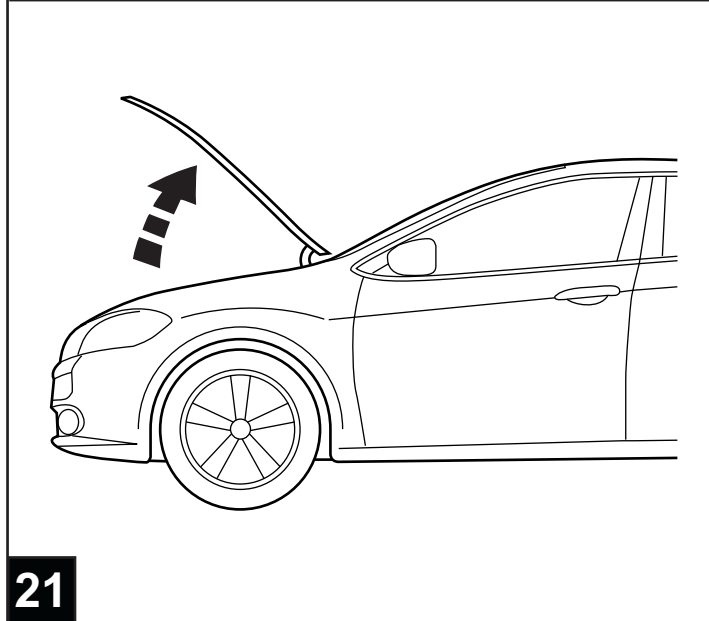




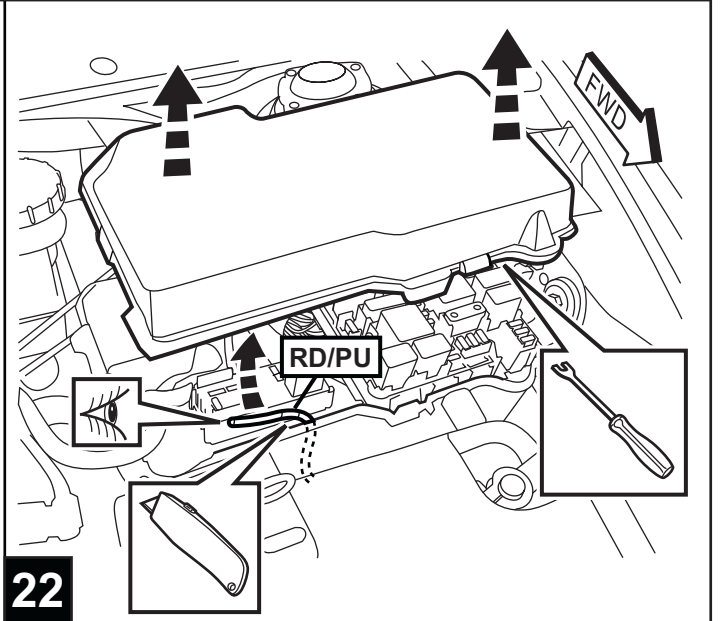
19



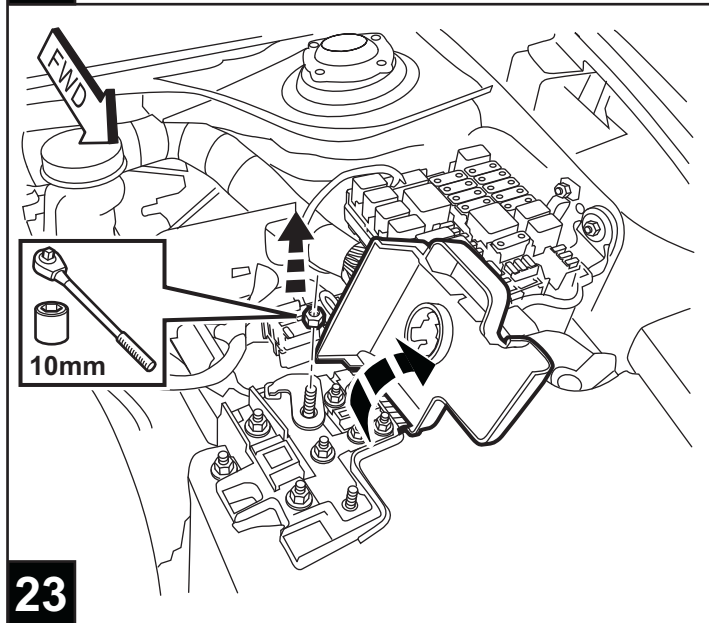
20



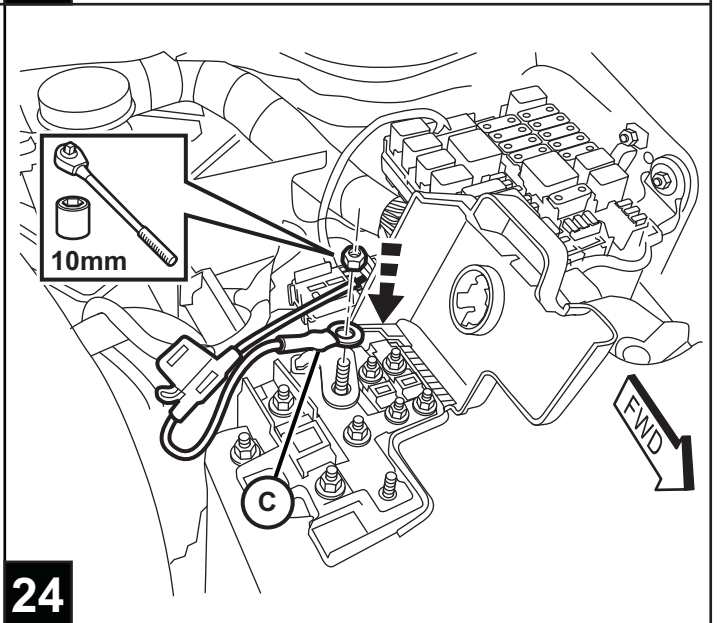
21



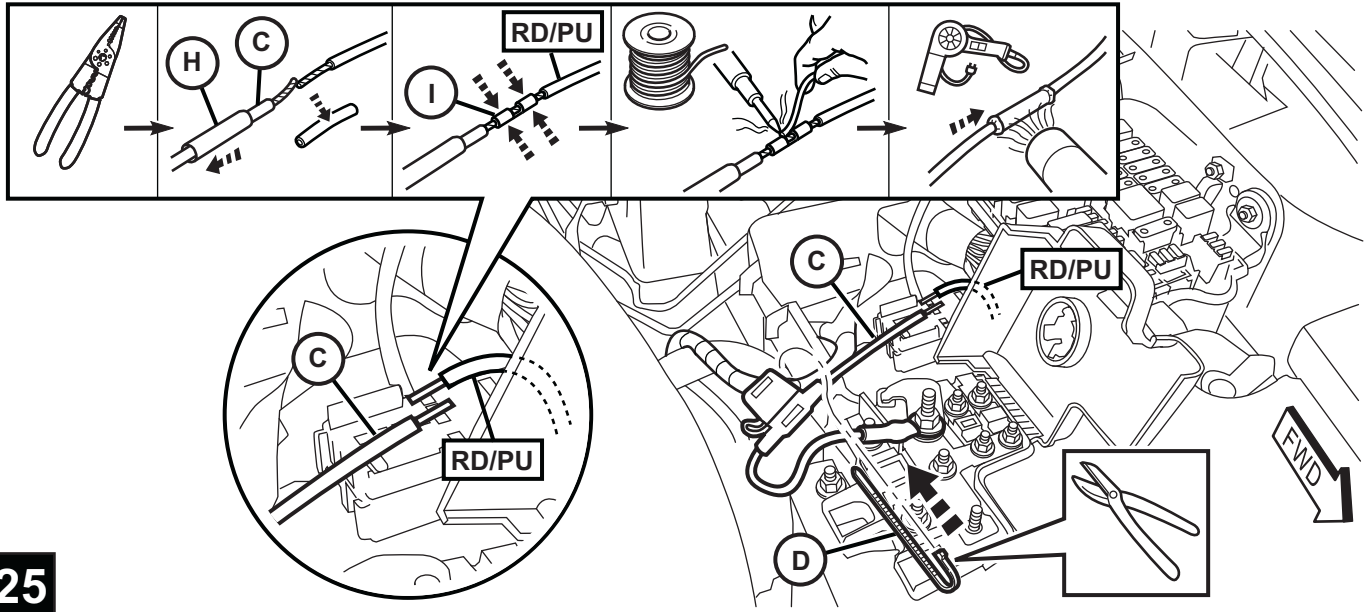
22



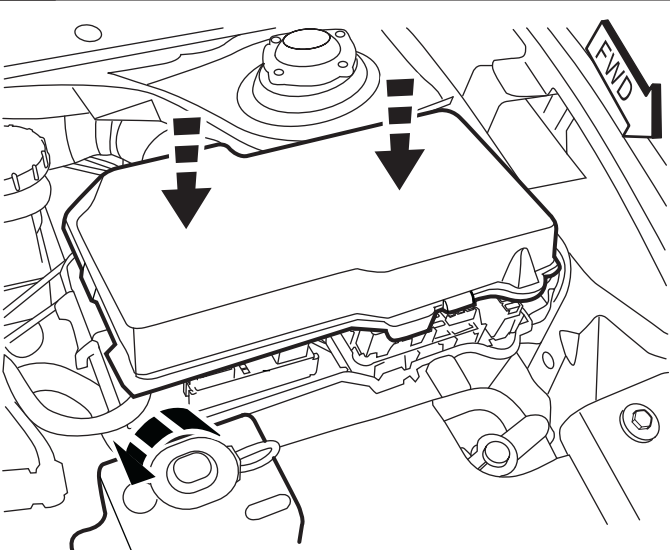
23



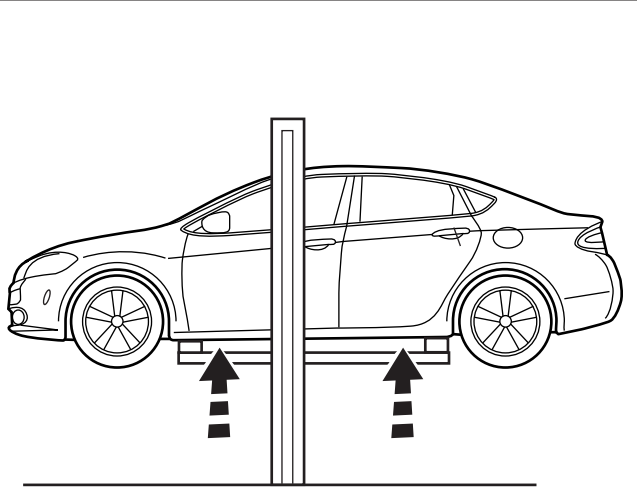
24



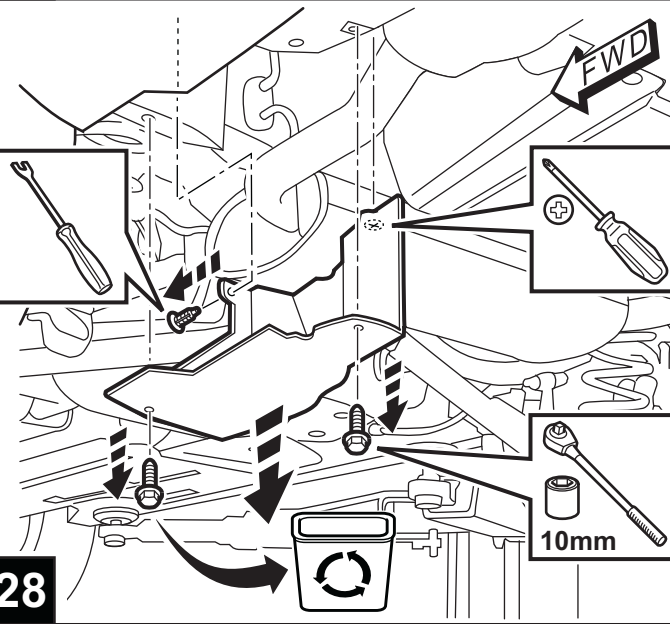
25



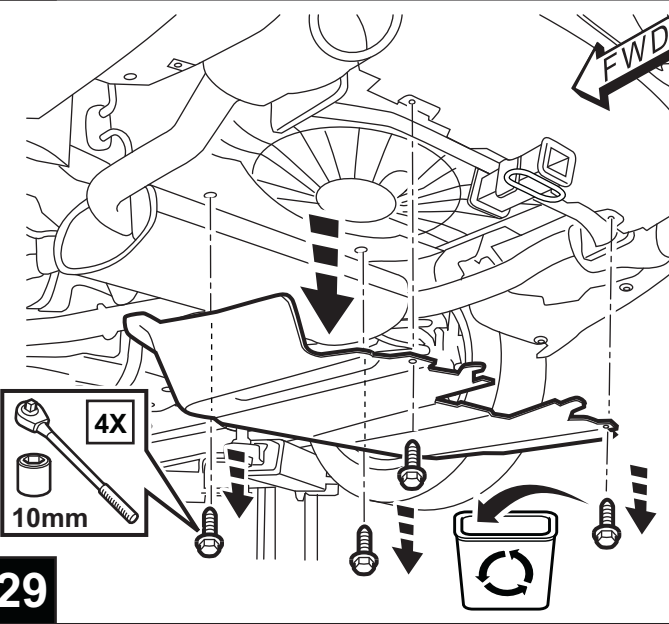
26



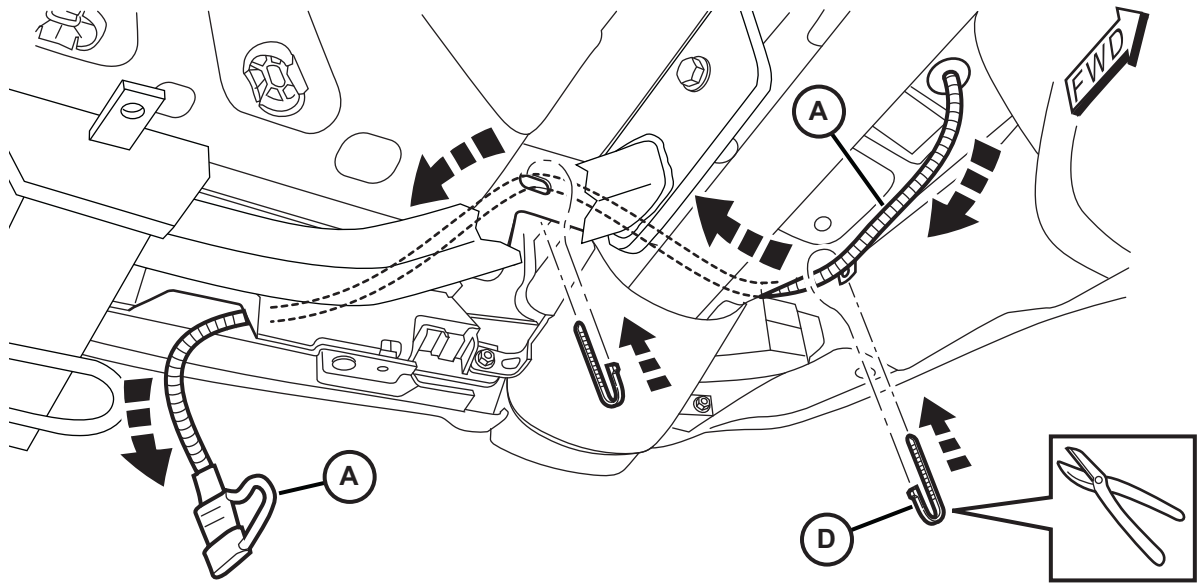
27



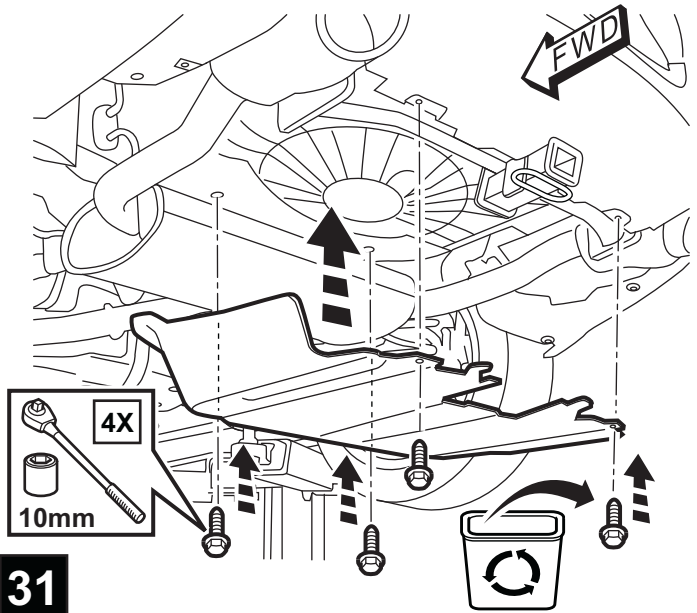
28



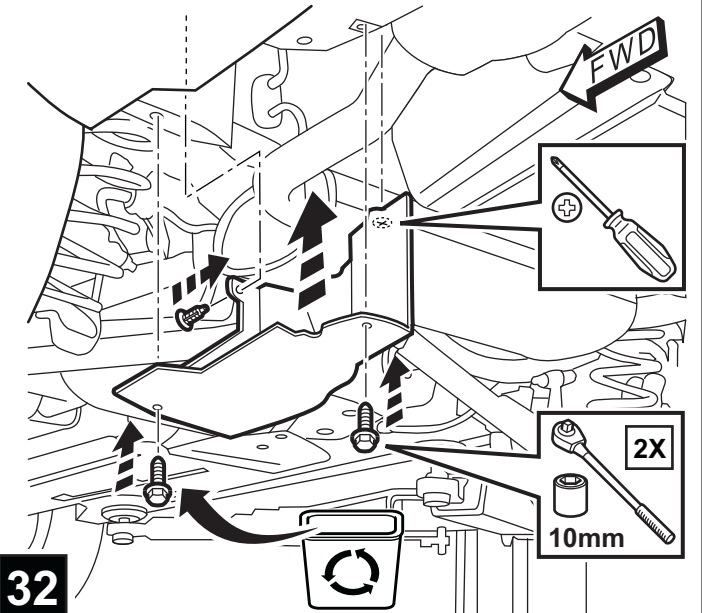
29



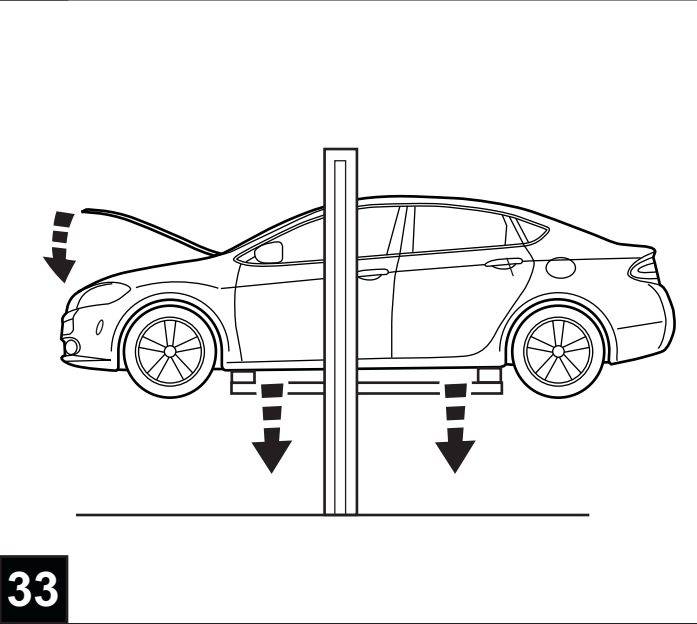
30



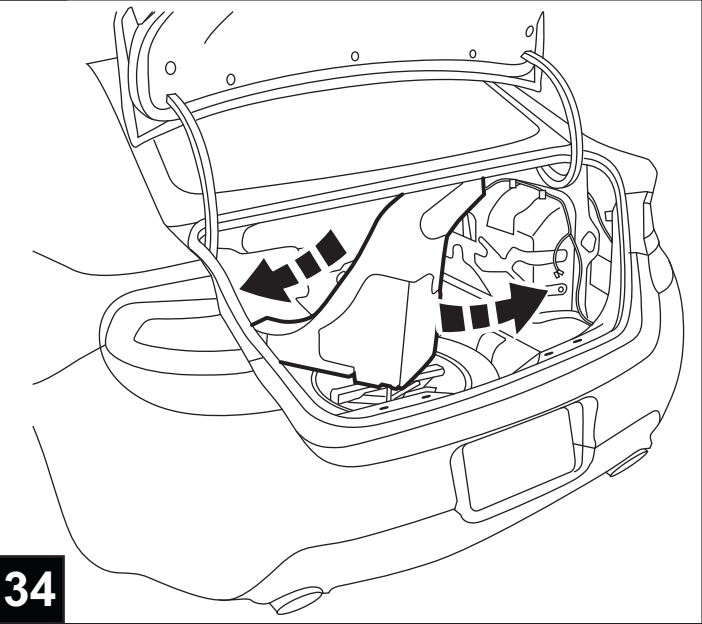
31



32



33



34

