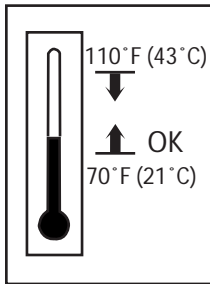


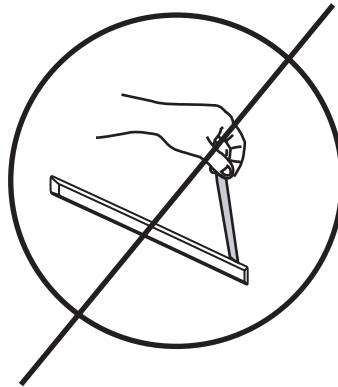


Dodge Ram Body Side Moldings

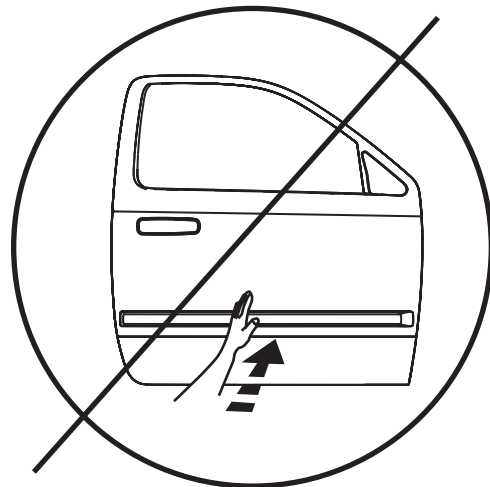
Important Warning



Vehicle Surface
Temperature



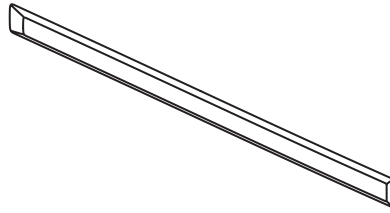
Do not pull tape liner prior
to installation on vehicle.



Do not apply body side molding
starting from center.

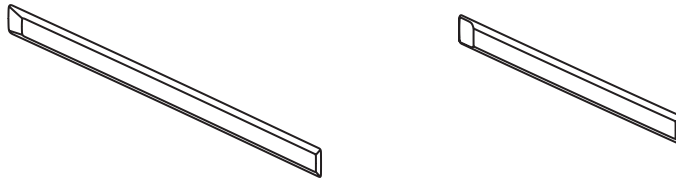
Risk of poor adhesion to vehicle surface or fit issues.

Regular



A X2

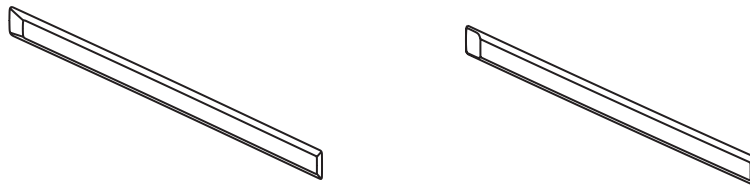
Quad



B X2

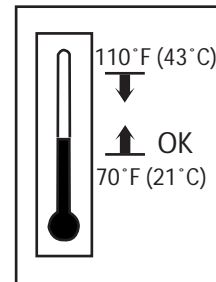
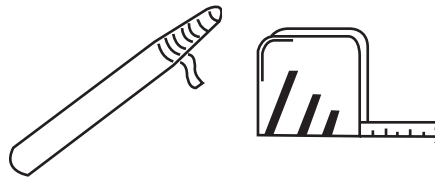
C X2

Crew

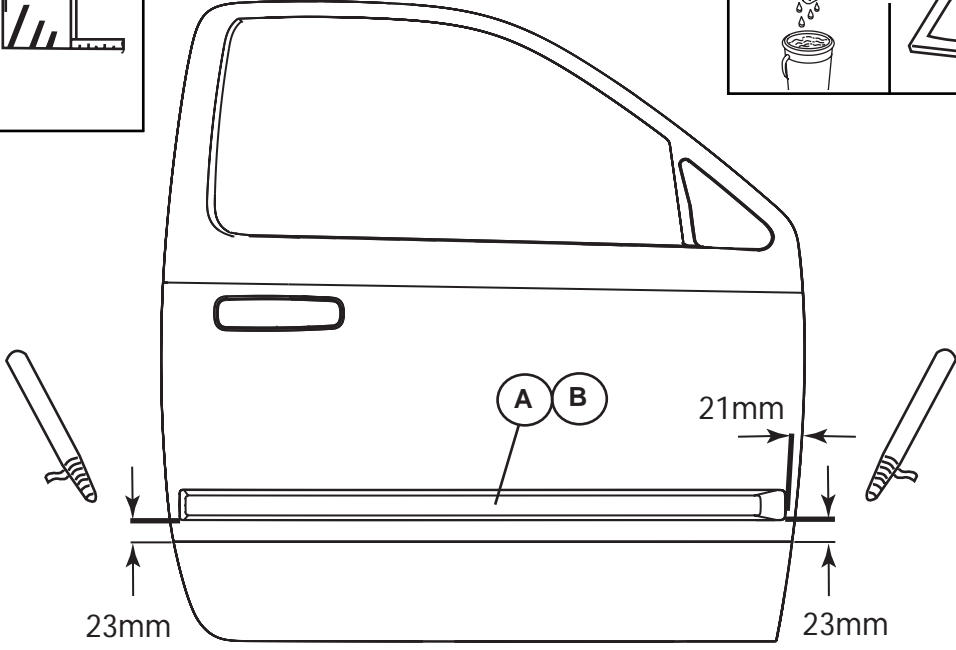
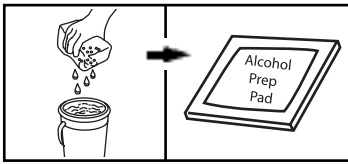
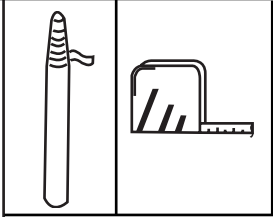


B X2

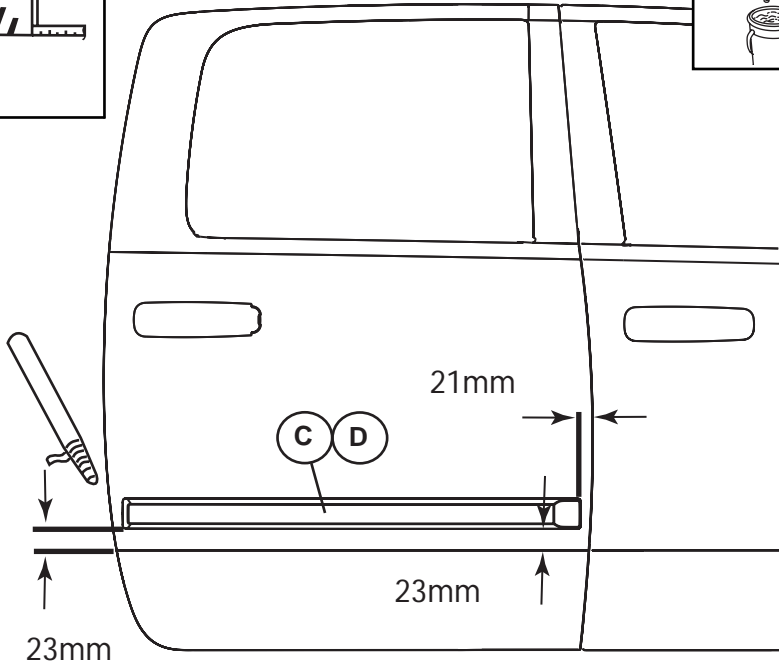
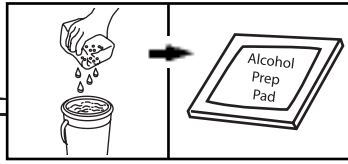
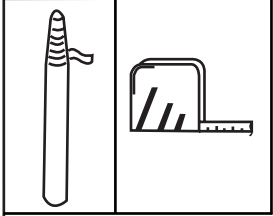
D X2



E X4

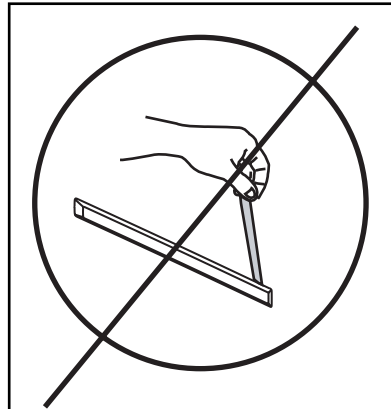
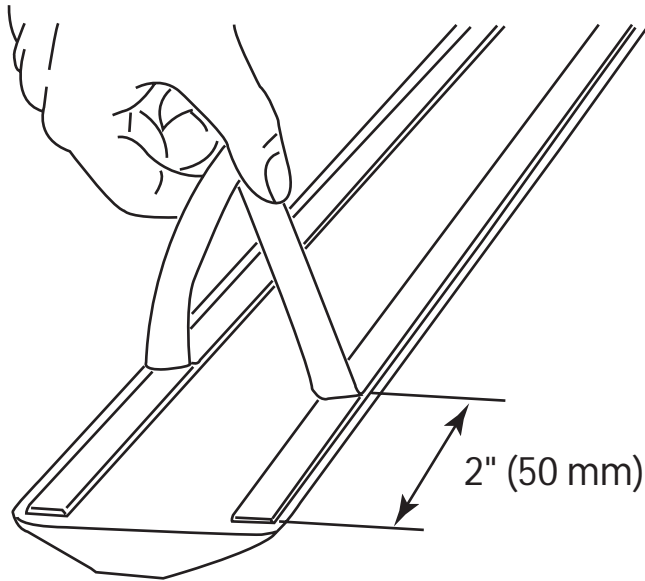


1



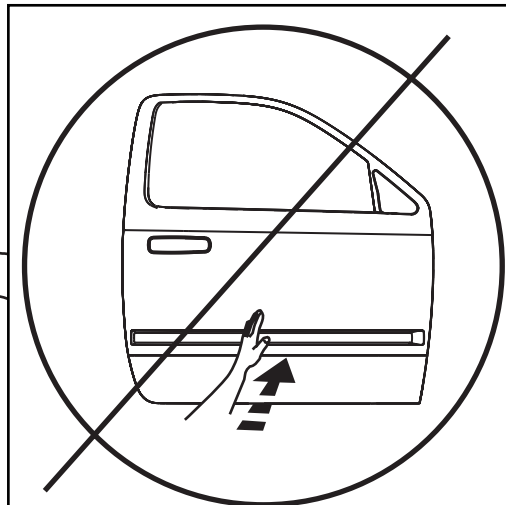
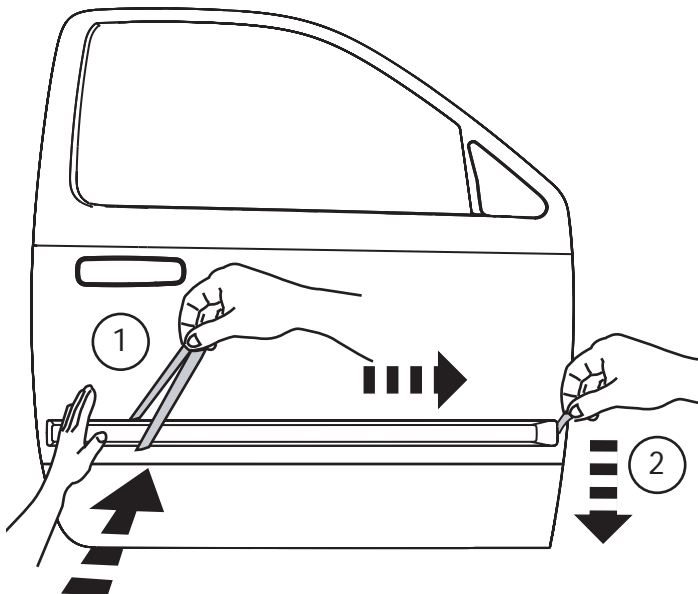
If Applicable

2



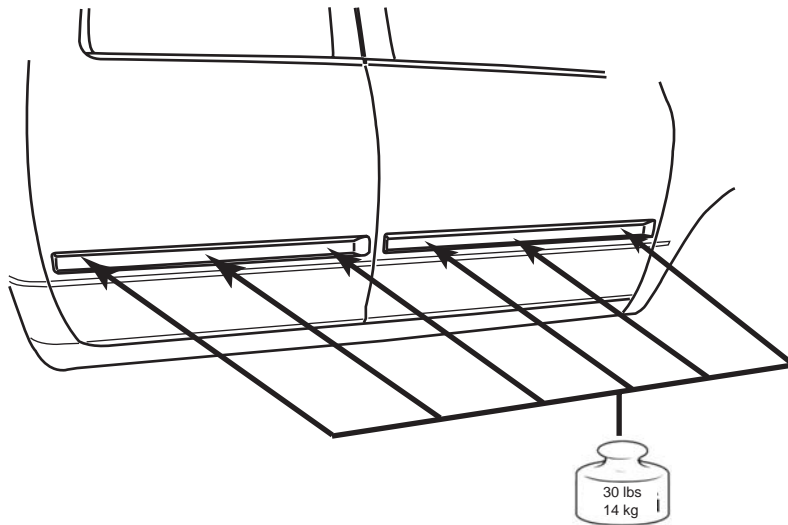
Do not pull tape liner prior to installation on vehicle.

3



Do not apply body side molding starting from center.

4



5

GB NOTE: Repeat steps 1-5 on the other side

E NOTA: Repita estos pasos 1-5 en otro lado

F NOTE: Répétez les étapes 1-5 pour l'autre côté

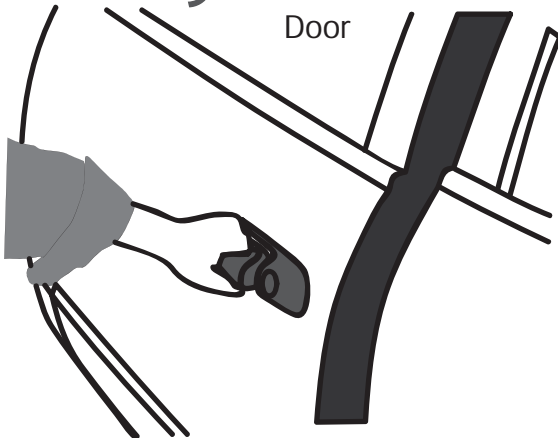
G ANMERKUNG: Wiederhole Schritte 1-5 auf der piher Seite

6

Do not

slam!

Door



For 72 Hours
After installation

