
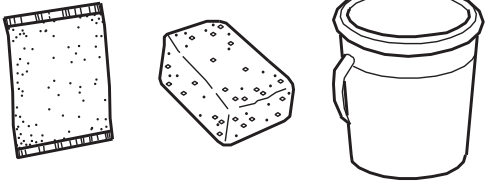
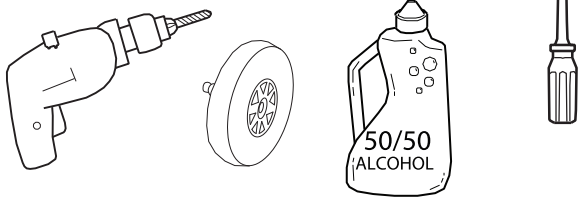



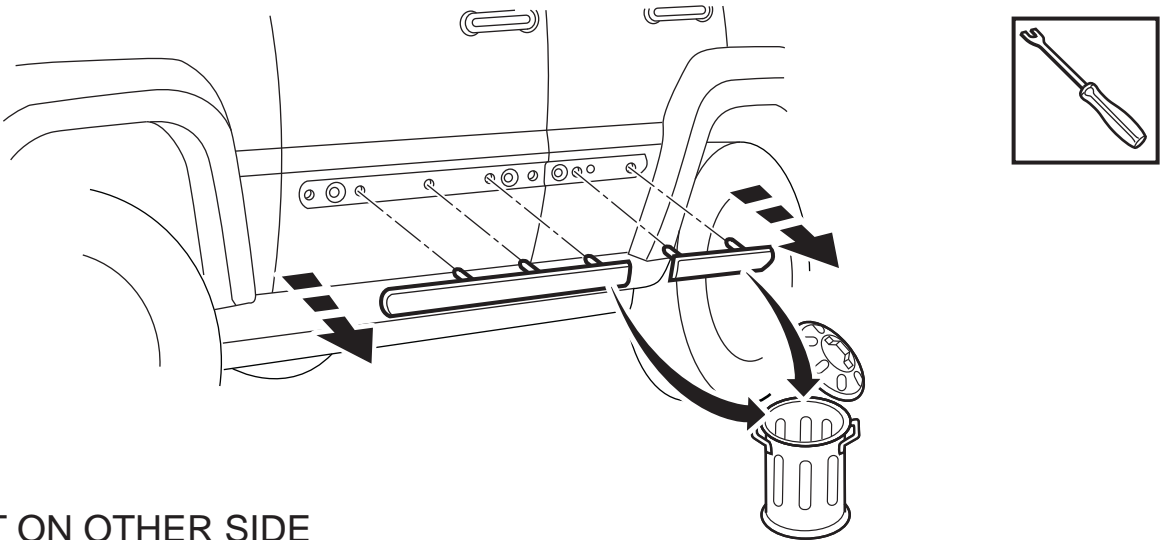




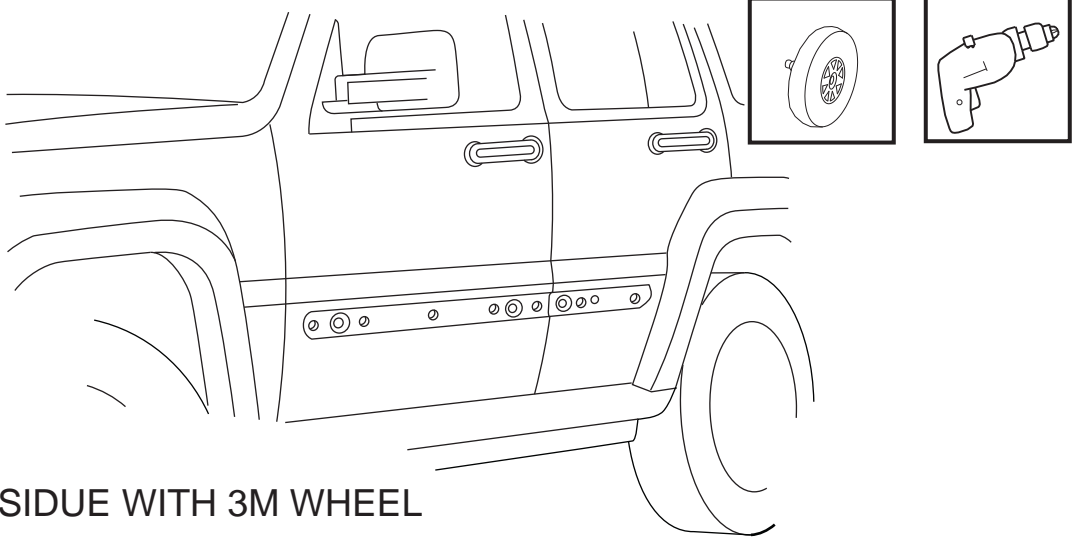
MOPAR®

JEEP LIBERTY Chrome Bodyside Molding

A	LH FRONT 	 
B	LH REAR 	
C	RH FRONT 	
D	RH REAR 	

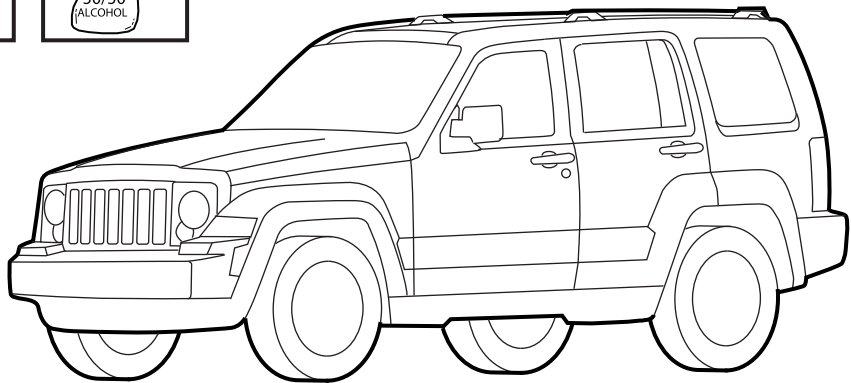
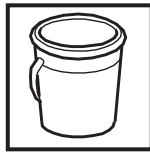
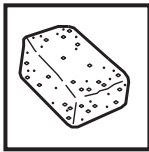
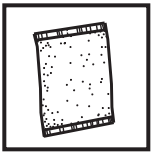


1 REPEAT ON OTHER SIDE

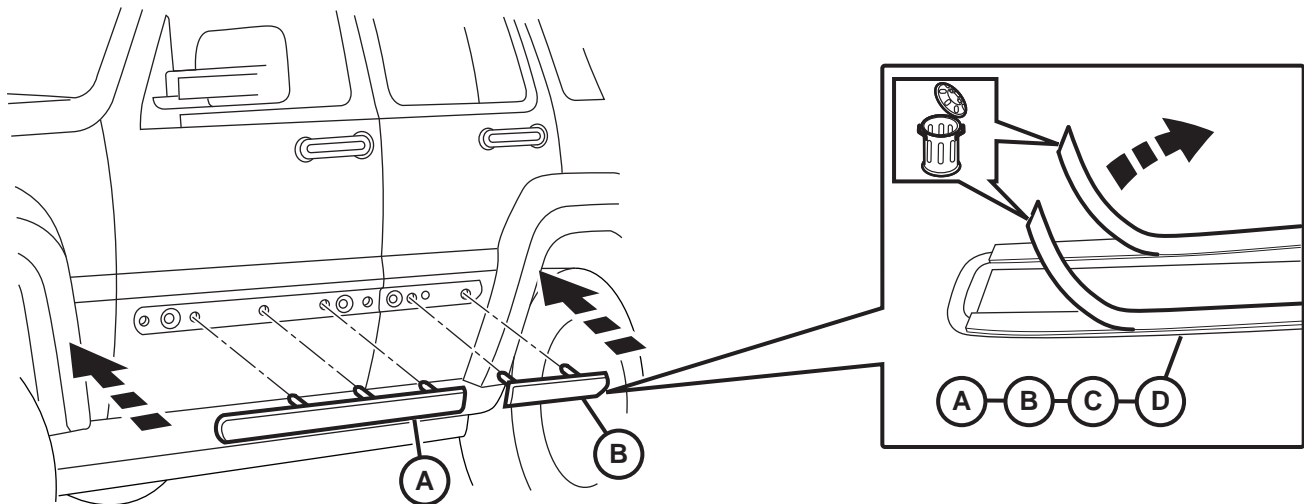


REMOVE RESIDUE WITH 3M WHEEL

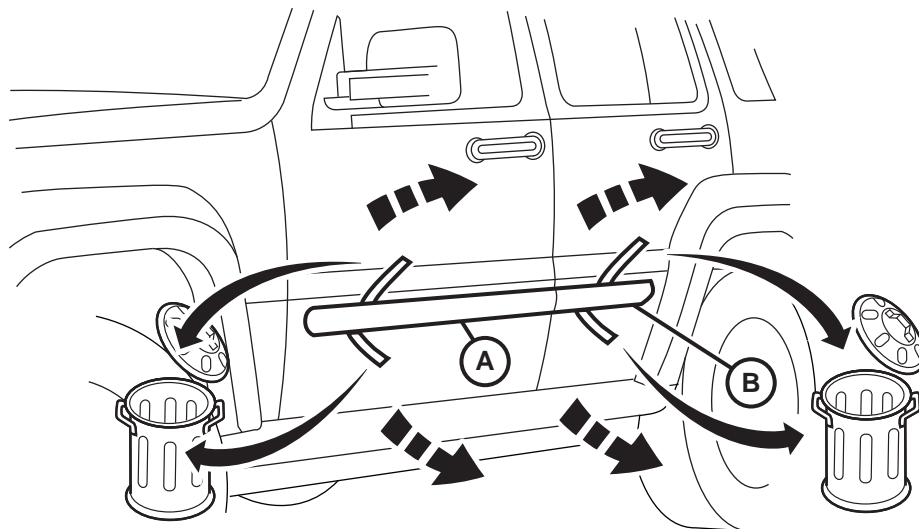
2 REPEAT ON OTHER SIDE



3 WASH AND DRY THOROUGHLY



4 REPEAT ON OTHER SIDE



5 REPEAT ON OTHER SIDE