





CONTENTS

- (2) Inner clips
- (2) Outer clips
- (4) Large abrasive resistant tape
- (4) Screws
- (4) Washers
- (3) Rubber bumpers
- (1) Alcohol wipe

TOOLS REQUIRED

- Non-permanent marker 
- Clean, dry cloth 
- 8mm wrench 
- #2 Phillips screwdriver 

..... Helpful Hint
A trial fit is recommended to ensure proper positioning, since installing and then removing the abrasive resistant tape will degrade the adhesive performance of the tape.

STEP 1

Wash and dry vehicle. Open hood.

STEP 2

Note the mounting slots in the tabs of the Hood Deflector. Trial fit the Hood Deflector centrally onto the vehicle. Using a non-permanent marker, mark the slot locations onto the grille.

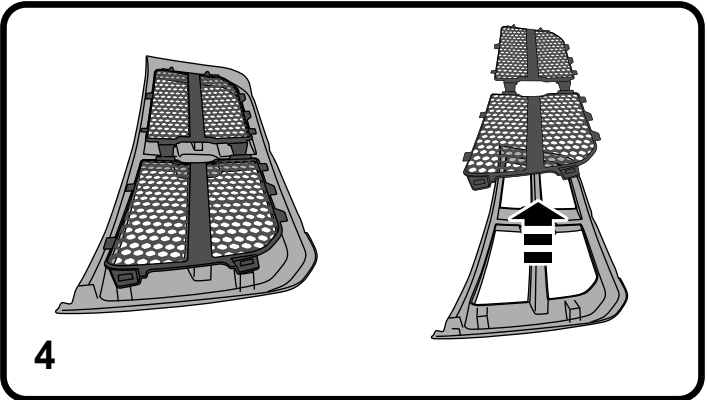
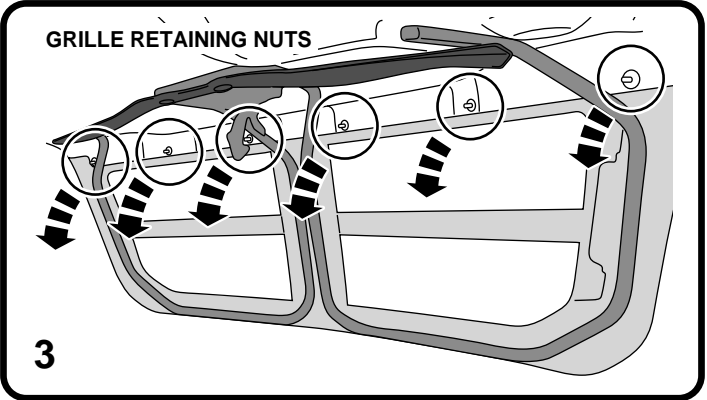
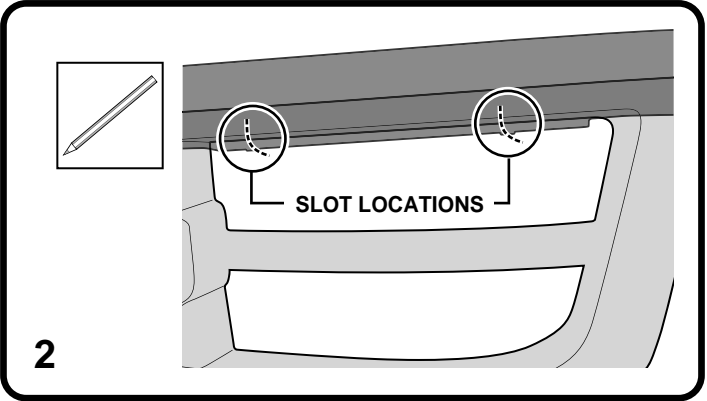
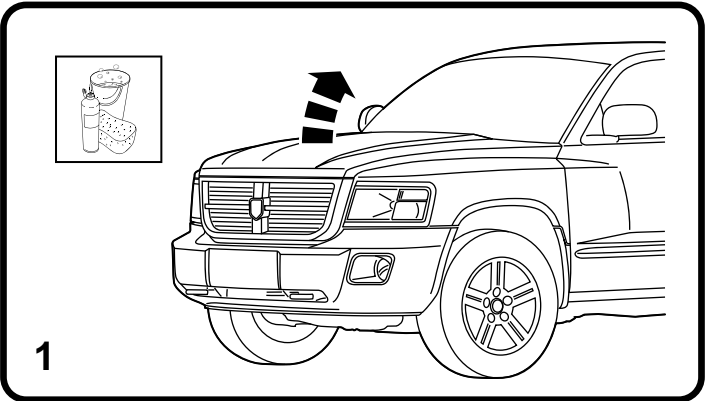
STEP 3

Note 6 nuts securing grille to hood. Remove nuts and carefully remove grille. Retain the nuts for reinstallation.

STEP 4

Place grille on protective surface and remove mesh insert.

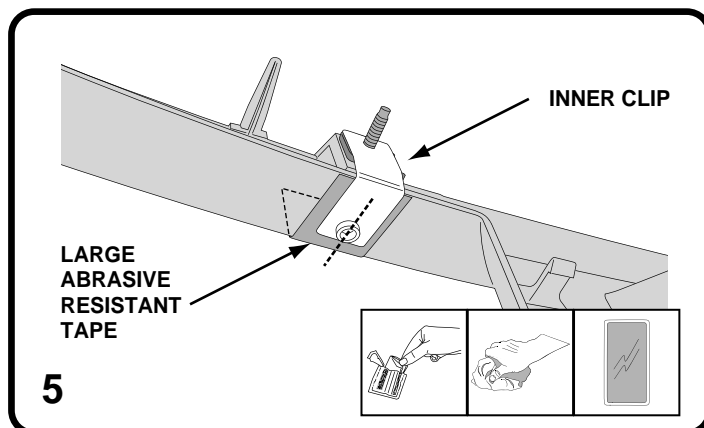
IMPORTANT: Read all instructions carefully before beginning the installation. The ideal installation temperature is between 65 - 110 F (18- 43 C).



STEP 5

Clean the marked inner clip areas of grille with the alcohol wipe provided. Wipe away any residue with a clean dry cloth. Adhere the large abrasive resistant tape strips onto the grille at the marked locations, as shown. Fit the inner clips over the grille retaining studs, as shown.

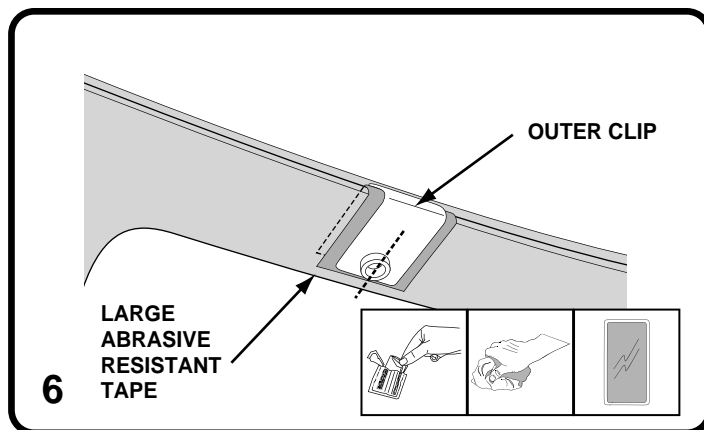
IMPORTANT: Ensure the inner clips rest over the tape strips and do not come into contact with the grille's surface. Failure to do this may result in permanent damage.



STEP 6

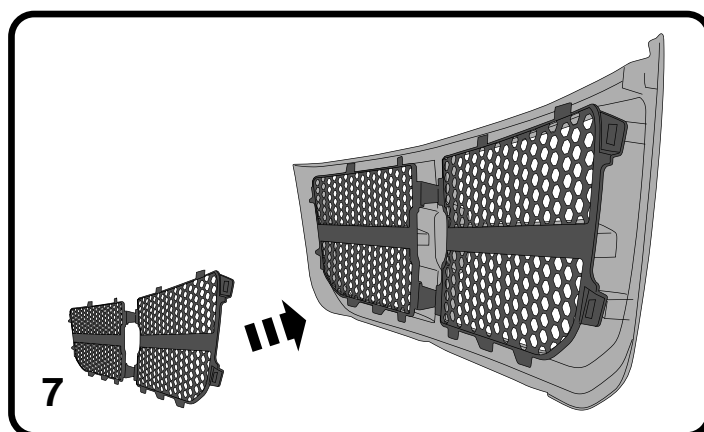
Clean the marked outer clip areas of grille with the alcohol wipe provided. Wipe away any residue with a clean dry cloth. Adhere the large abrasive resistant tape strips onto the grille at the marked locations, so that the grille is protected from the clip on the top side and bottom side of grille section, as shown. Slide the outer clips over the grille lip, as shown.

IMPORTANT: Ensure the outer clips rest over the tape strips and do not come into contact with the grille's surface. Failure to do this may result in permanent damage.



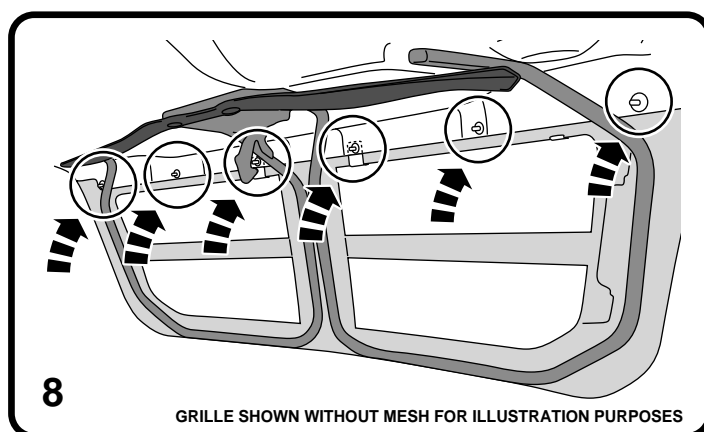
STEP 7

Refit the mesh insert to the grille.



STEP 8

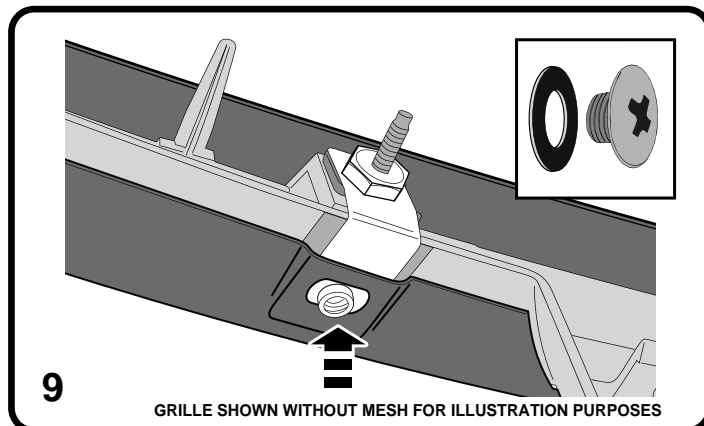
Refit the grille to the hood with the previously removed nuts. Ensure the inner clips are secured between the grille and the underside of the hood.





STEP 9

Refit the Hood Deflector centrally. Ensure the slots locate over the threaded section of the clips. Secure the product to the vehicle with the screws and washers provided.



STEP 10

To complete installation, close the hood and note the centerline of the hood. Measure 45mm down from the back edge of the Hood Deflector at the centerline. Mark this location onto the hood with a non-permanent marker. Measure 40mm in, and 45mm down from each wing end, and mark these locations onto the hood also. Clean the hood at these marked locations with the alcohol wipe provided. Wipe away any residue with a clean dry cloth. Adhere the rubber bumpons provided onto the hood surface at the marked locations.

