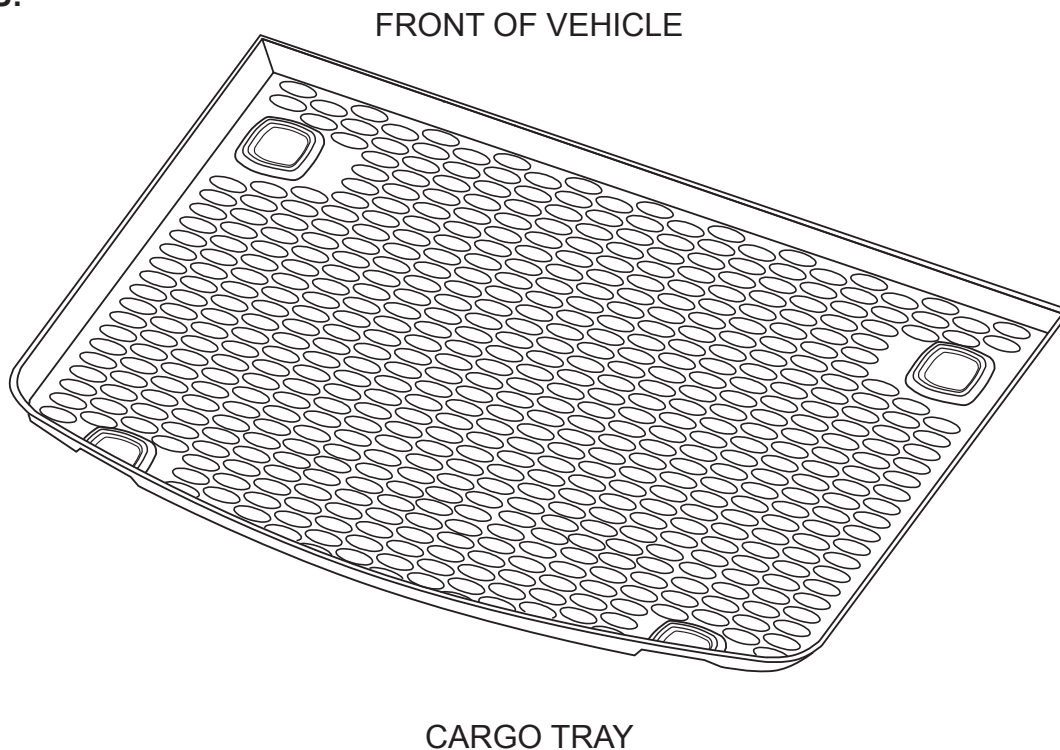


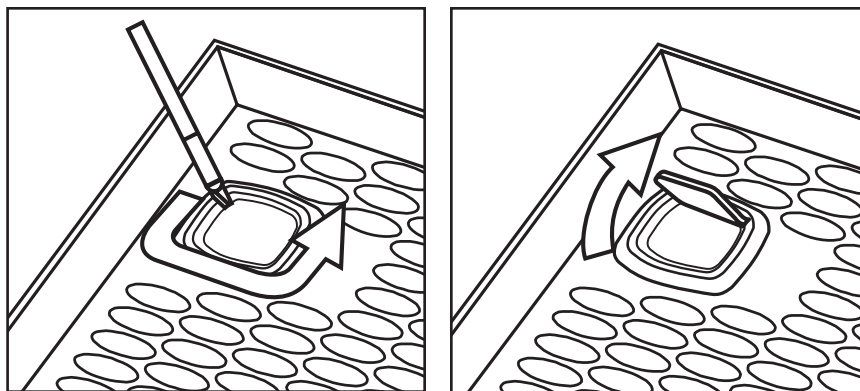
Read entire instructions thoroughly before starting.

CONTENTS:



INSTALLATION:

1. Ensure rear cargo area is clean and free of obstacles before installing.
2. Place your MOPAR ACCESSORIES cargo tray into the rear cargo area of the vehicle.



3. OPTION: If cargo tray tie down openings are needed, carefully use a knife to cut the flap opening as shown.

CARE AND CLEANING:

1. **DO NOT USE any type** of spray protectant, it will make the surface slick and your cargo will slide around.
2. To wash remove from the vehicle and use hot water and a mild soap.
3. Caution, when cleaning, high pressure sprayers can cause damage if held too closely.