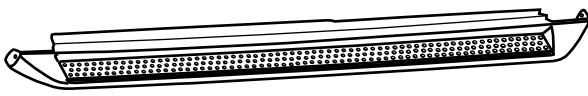
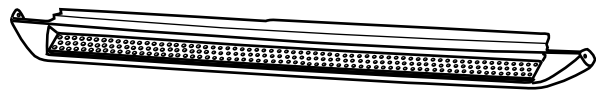
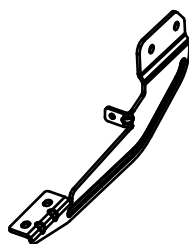
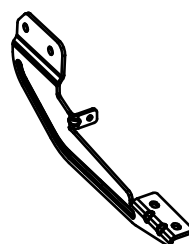
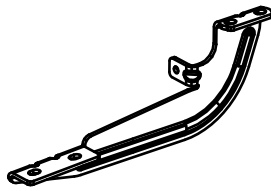
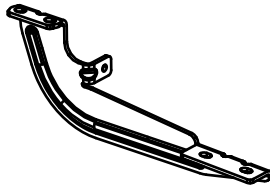
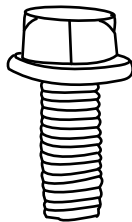
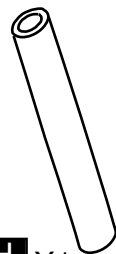
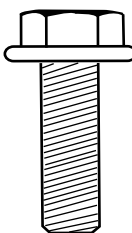

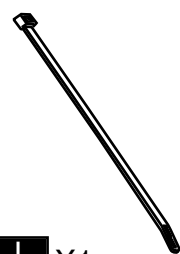
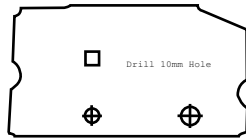
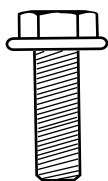

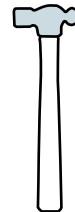

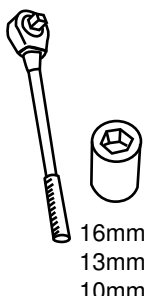
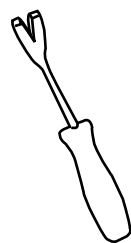
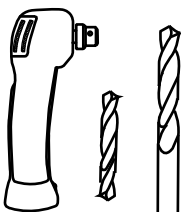







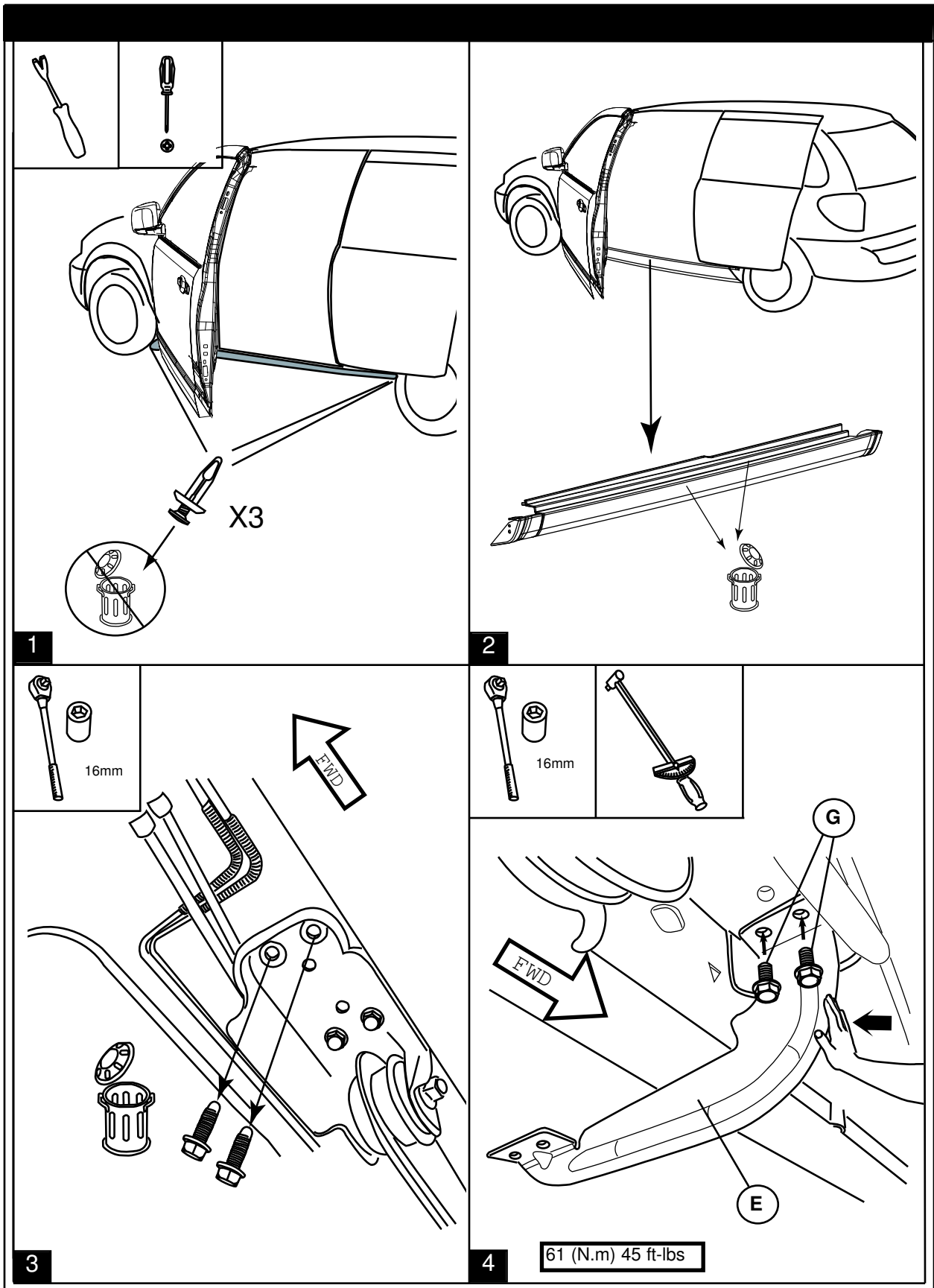
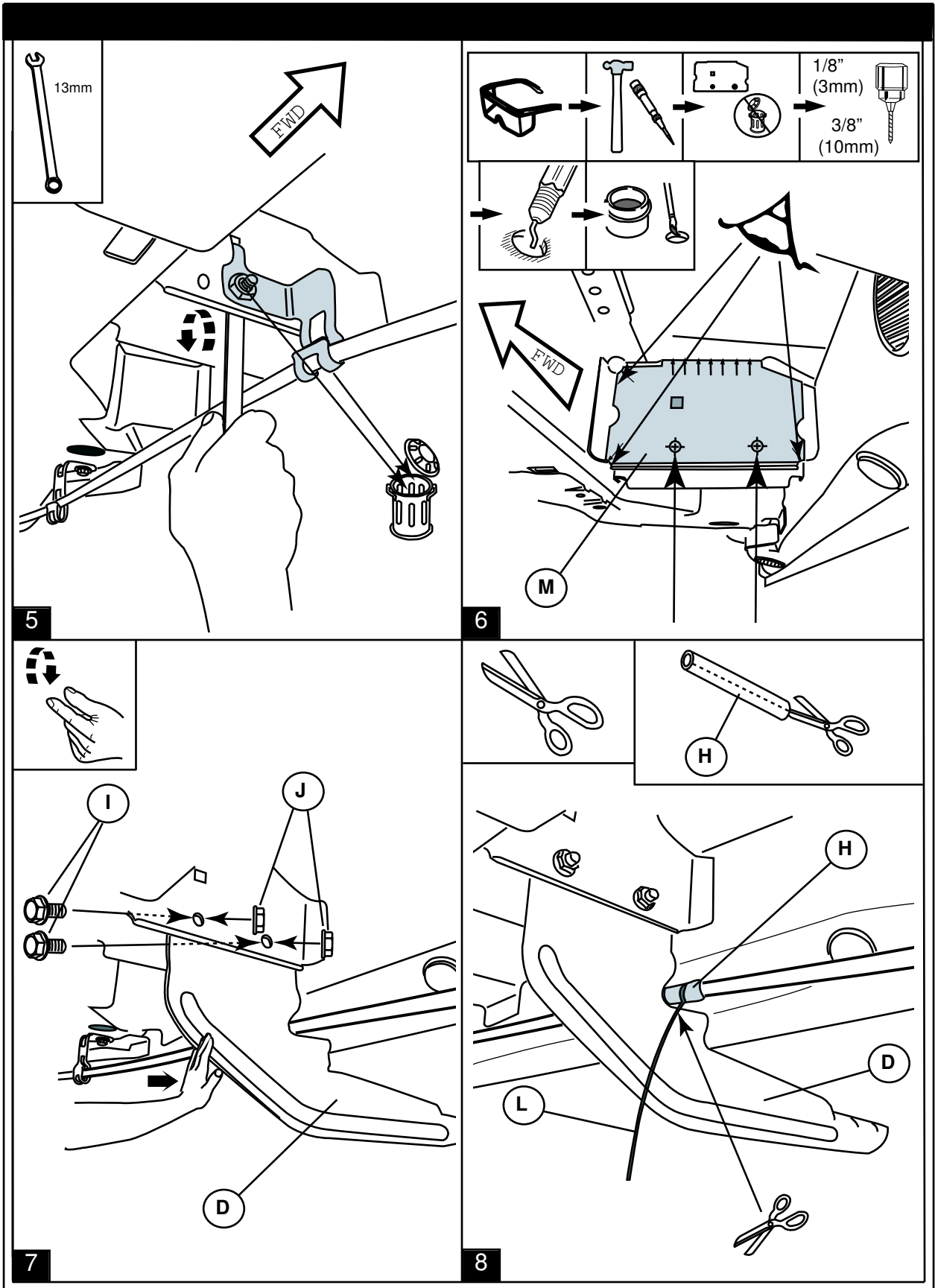


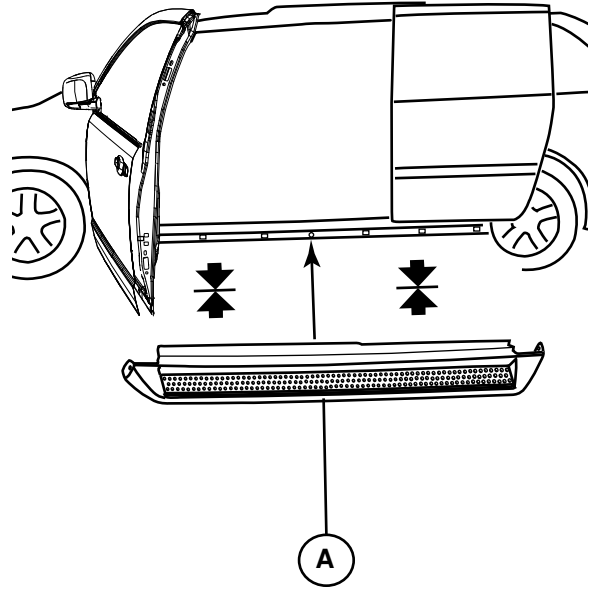


# Dodge Caravan/Chrysler Town and Country Running Board

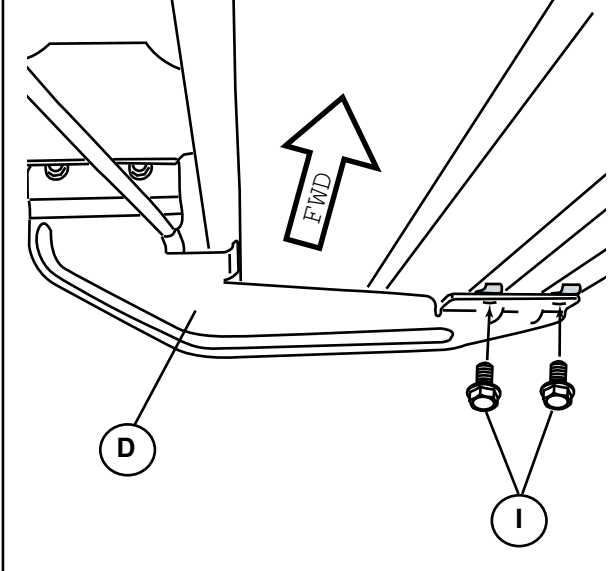
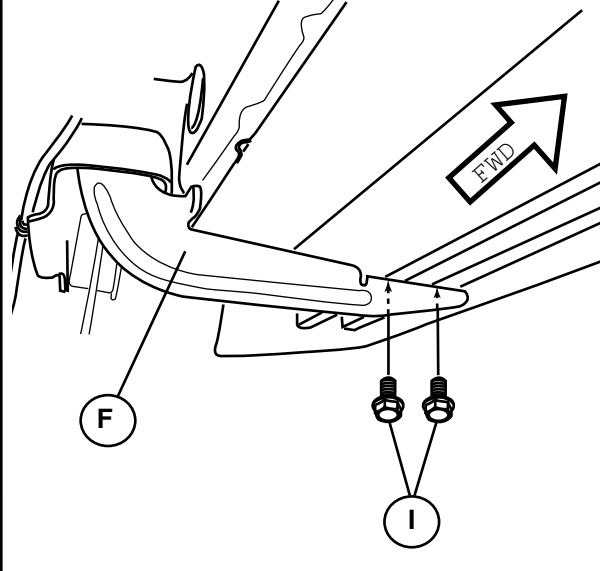
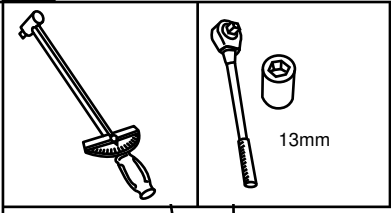
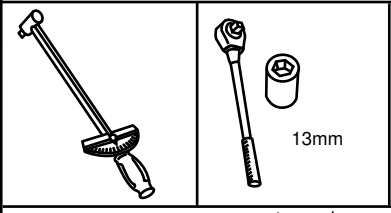
|   |   |  |   |   |  |  |   |   |   |
|---|---|--|---|---|--|--|---|---|---|
|                                  |   |    |   |   |  |  |   |   |   |
| <b>A</b> X1   |   | <b>B</b> X1  |   |   |  |  |   |   |   |
|                                  |    |    |    |   |  |  |   |   |   |
| <b>C</b> X1   | <b>D</b> X1   | <b>E</b> X1  | <b>F</b> X1   |   |  |  |   |   |   |
|                                |   |    |    |   |  |  |   |   |   |
| <b>G</b> X4   | <b>H</b> X1   | <b>I</b> X12   | <b>J</b> X4   | <b>L</b> X1   |  |  |   |   |   |
|                                |  |   |  |  |  |  |   |   |   |
| <b>M</b> X1   | <b>N</b> X4   | <b>O</b> X4  |   |   |  |  |   |   |   |
|  <p>16mm<br/>13mm<br/>10mm</p> |  | <p>1/4"<br/>1/8" (3mm)<br/>3/8" (10mm)</p>  |    |   |  <p>82300508ab</p> |  <p>10mm<br/>13mm</p> |  |  |  |





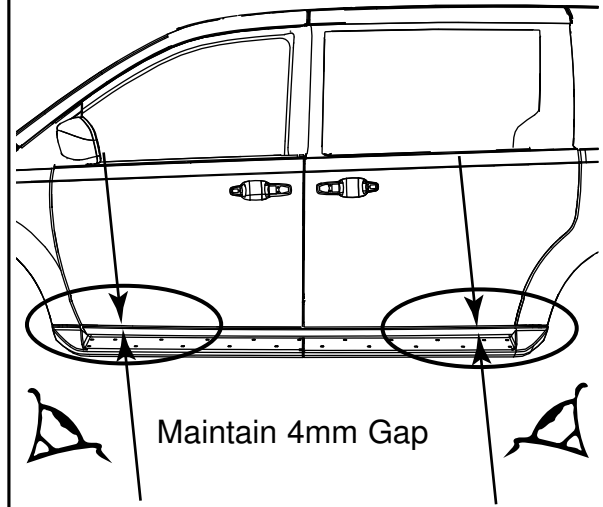


9

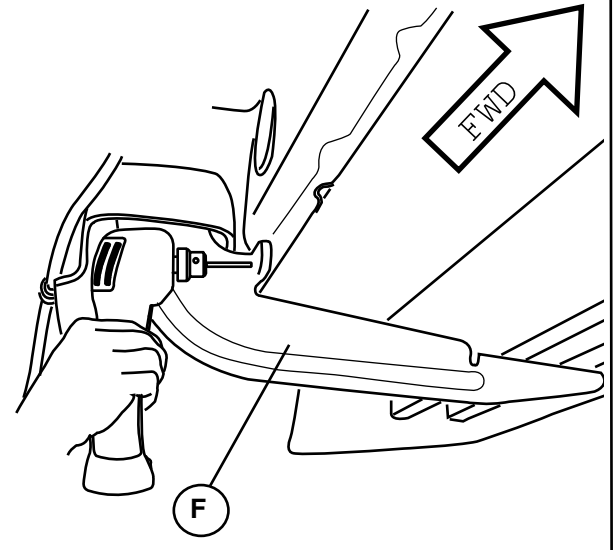
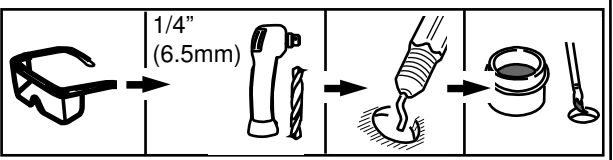


10 27 (N.m) 20 ft-lbs

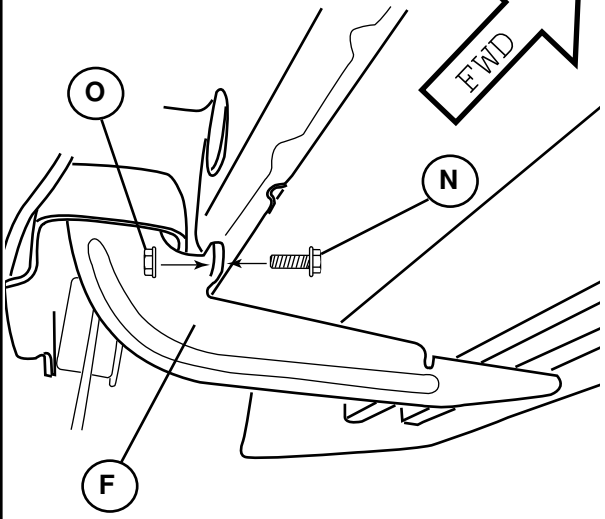
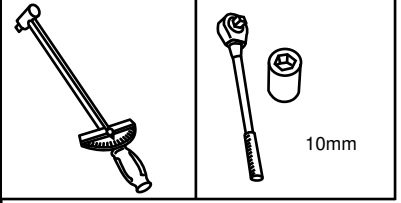
11 27 (N.m) 20 ft-lbs



12

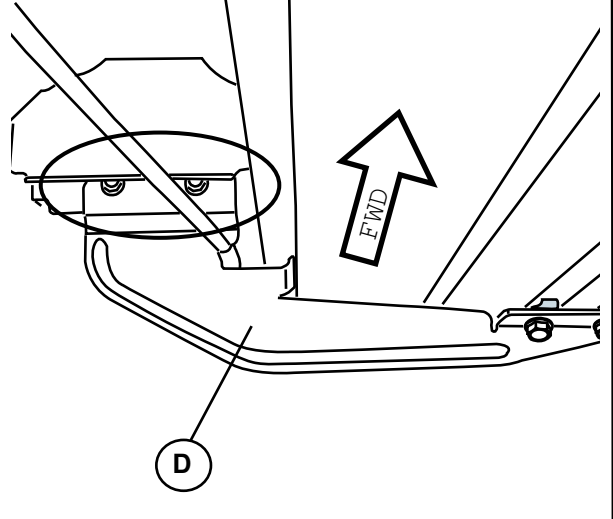
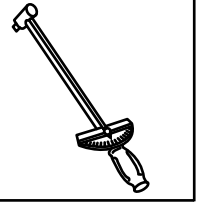


13



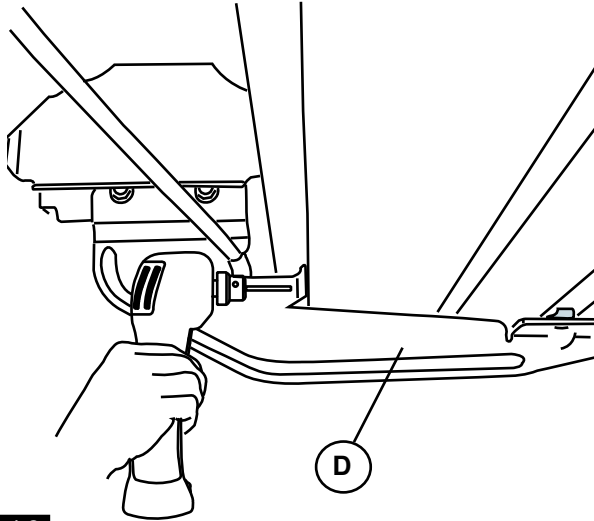
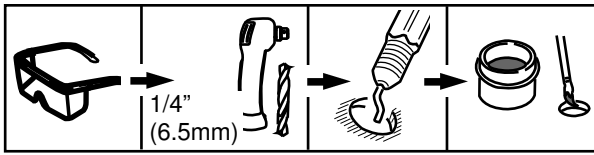
14

13.6 (N.m) 10 ft-lbs

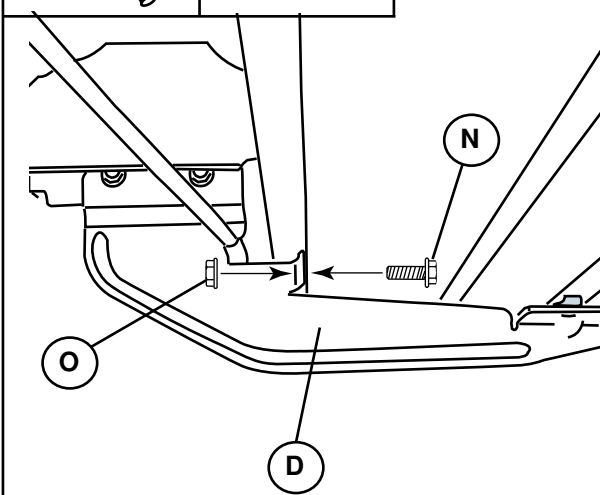
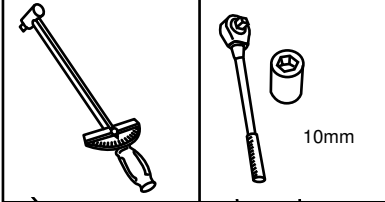


15

28.5 (N.m) 21 ft-lbs

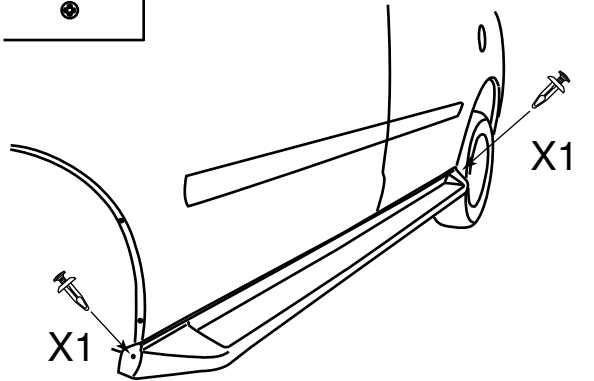


16



17

13.6 (N.m) 10 ft-lbs



18

**GB** NOTE: Repeat steps 1-7 & 10-19 on the other side

**E** NOTA: Repita estos pasos 1-7 & 10-19 en otro lado

**F** NOTE: Répétez les étapes 1-7 & 10-19 pour l'autre côté

19