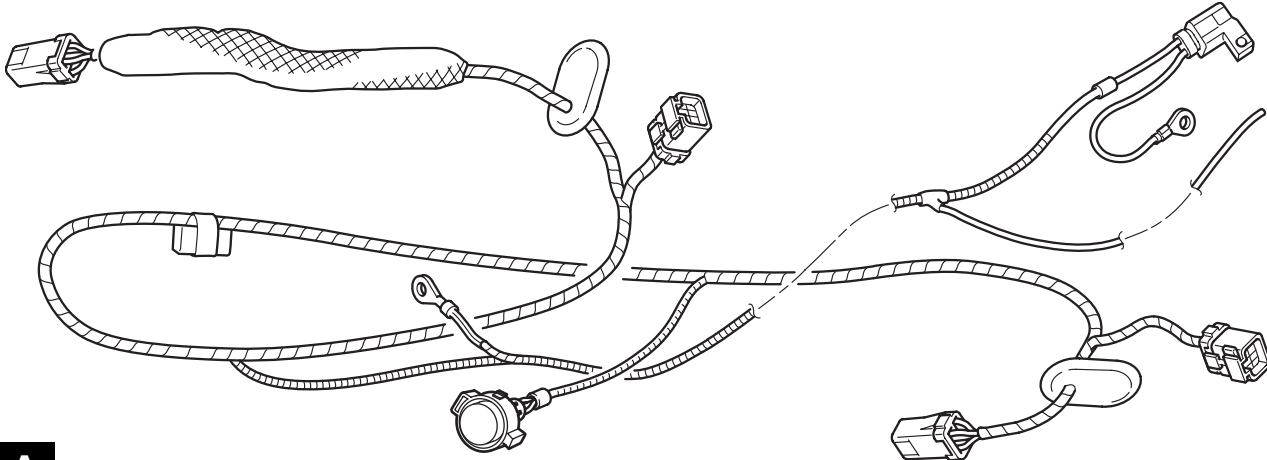


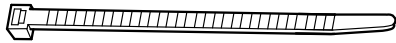


# DODGE DURANGO/CHRYSLER ASPEN 4-WAY & 7-WAY COMBINATION TRAILER TOW HARNESS

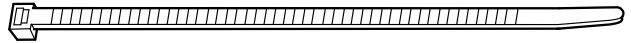
MOPAR®



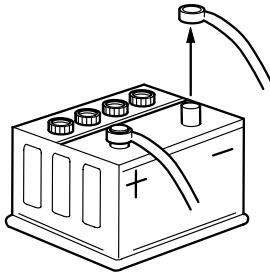
**A**



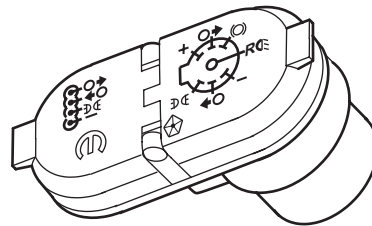
**B** 10x



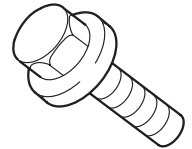
**C** 1x



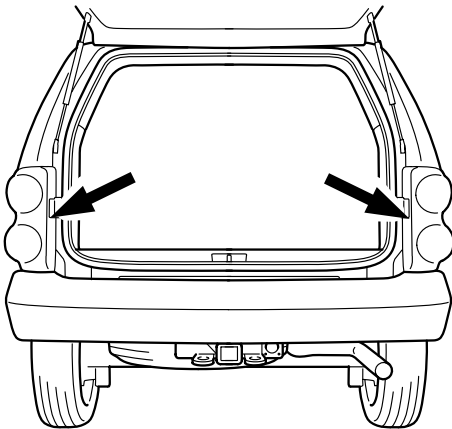
**1**



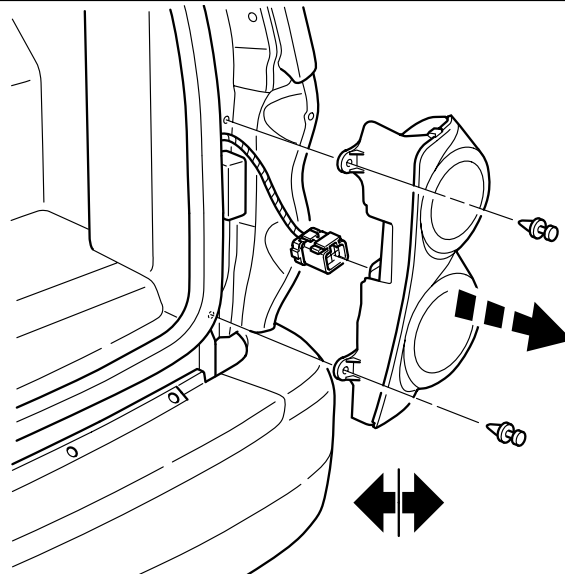
**D**

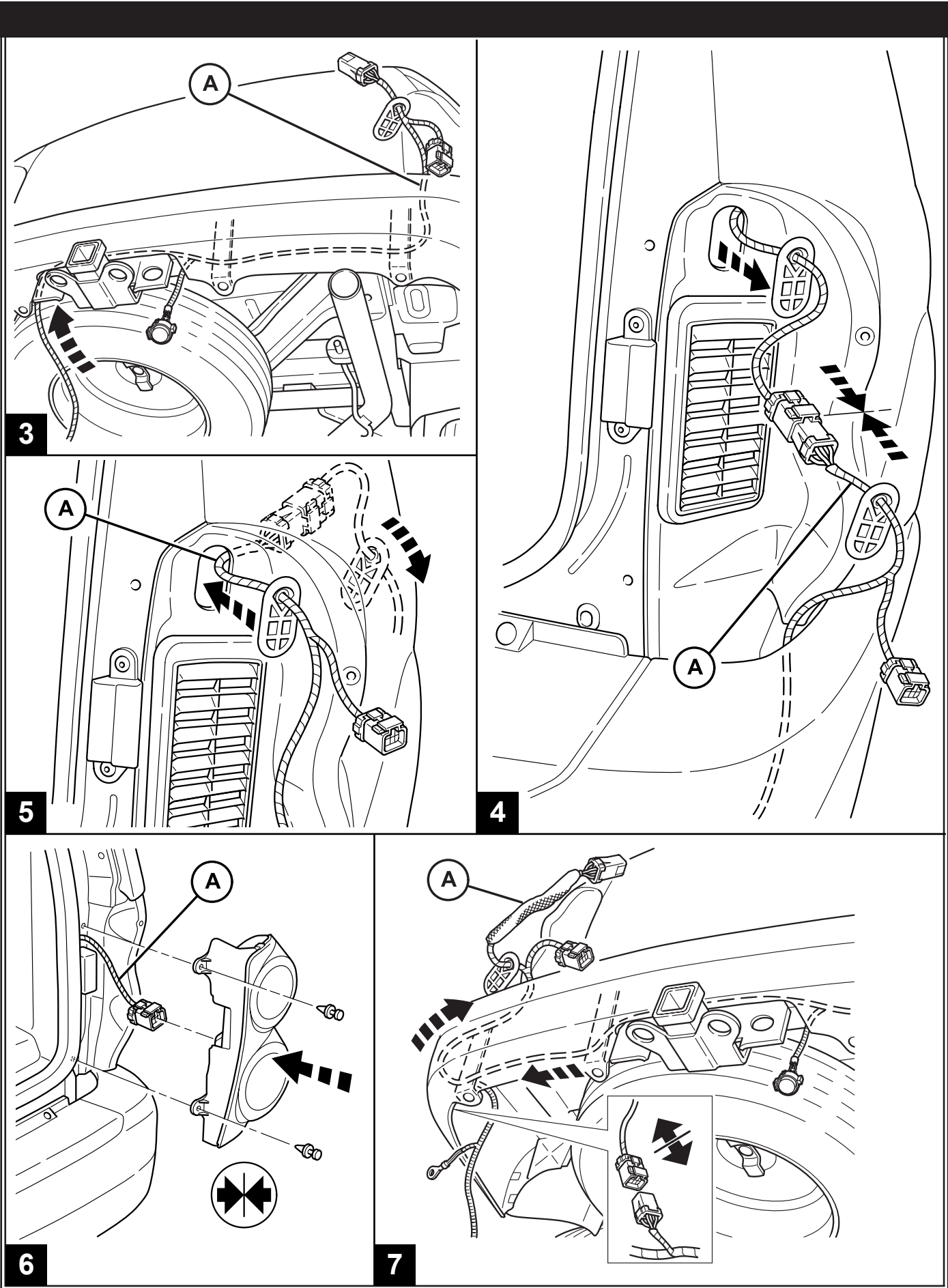


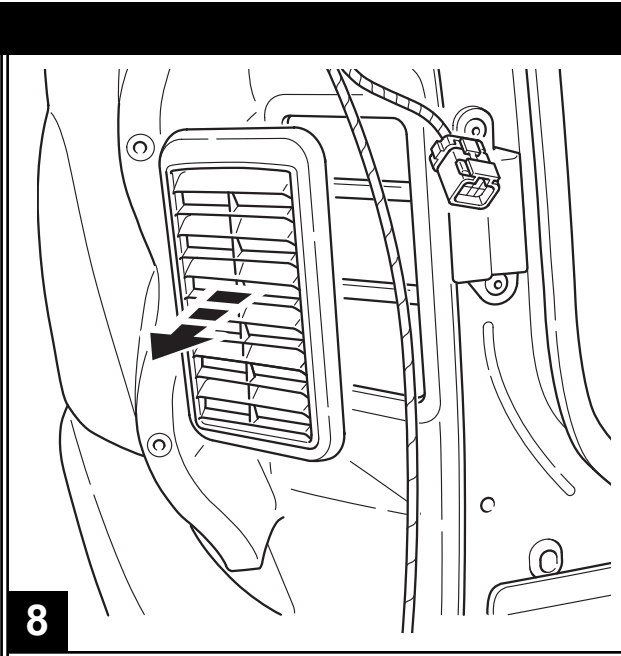
**E** 1x



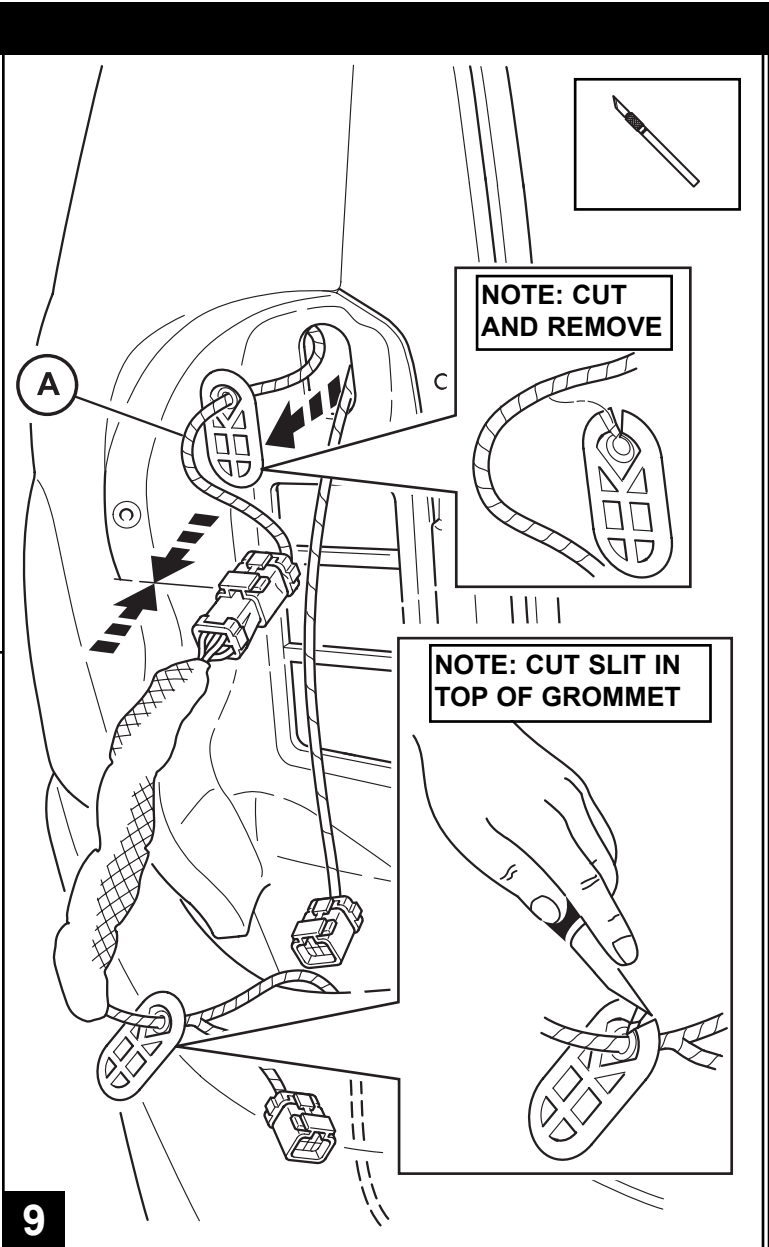
**2**



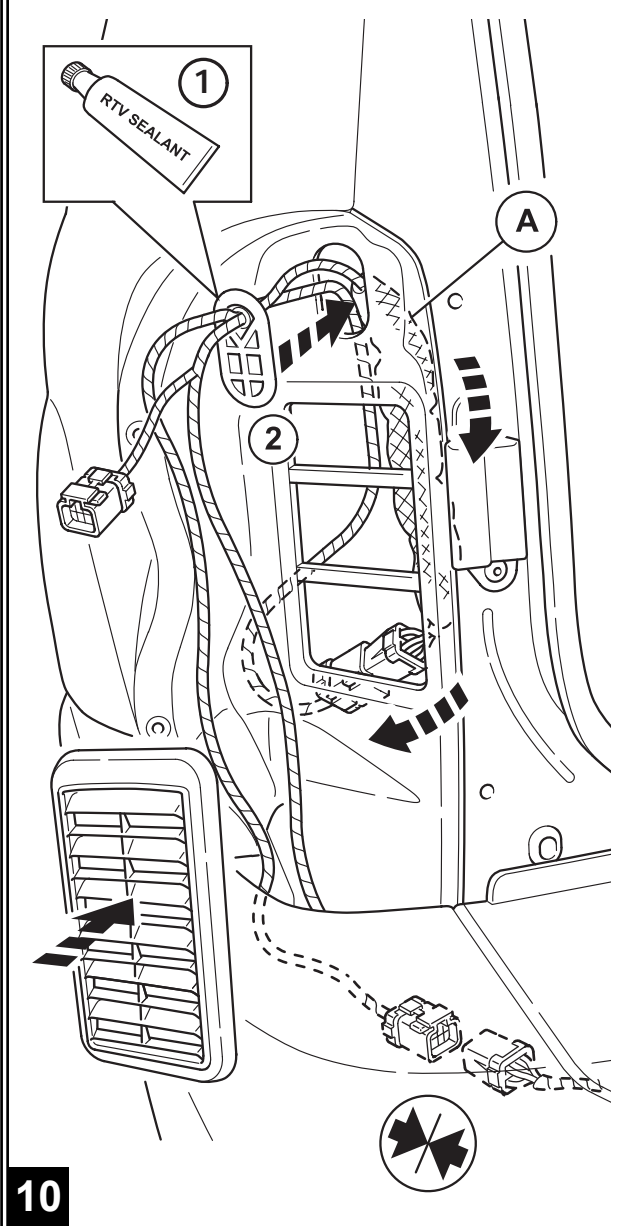




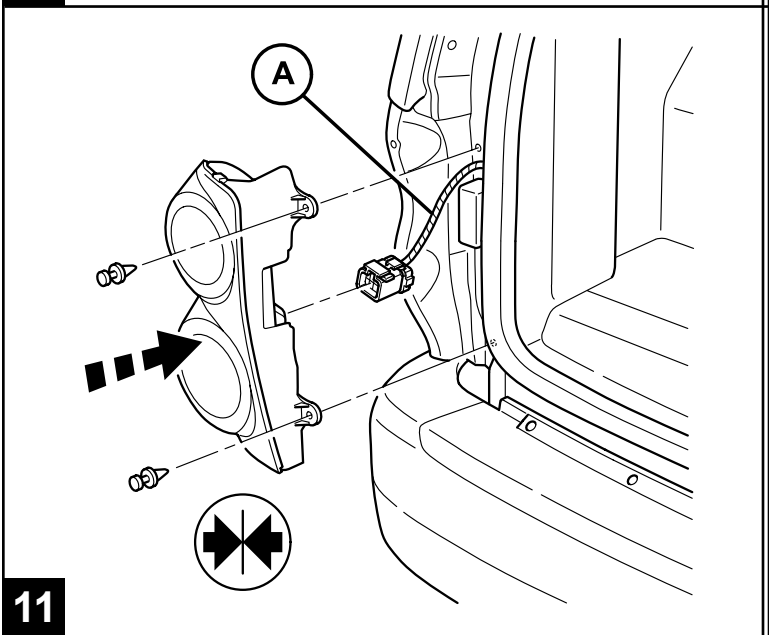
8



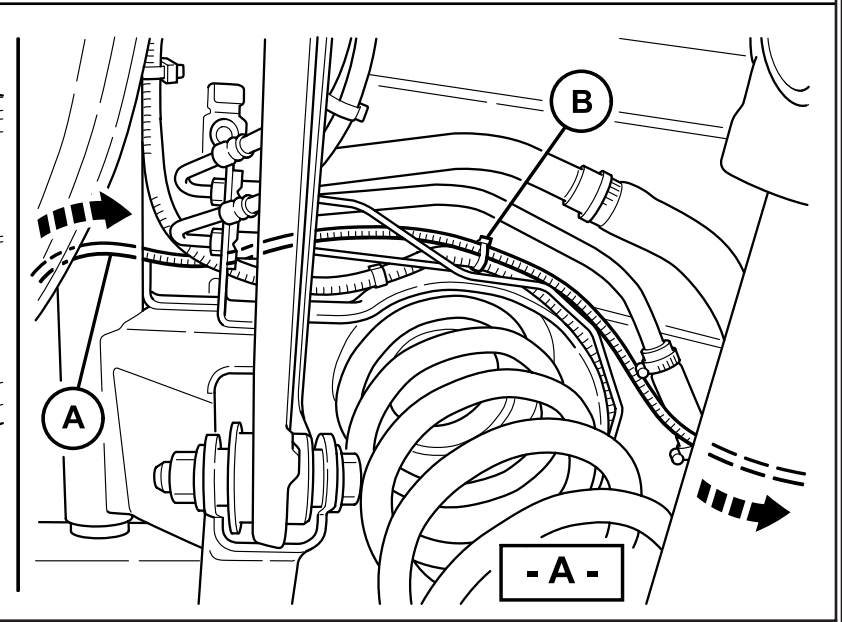
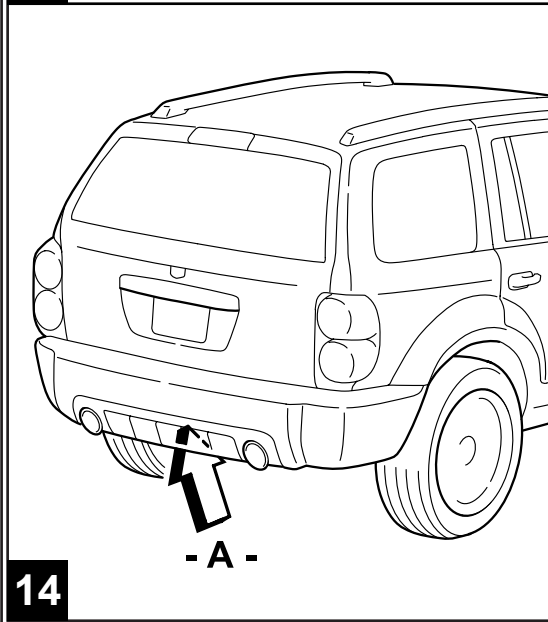
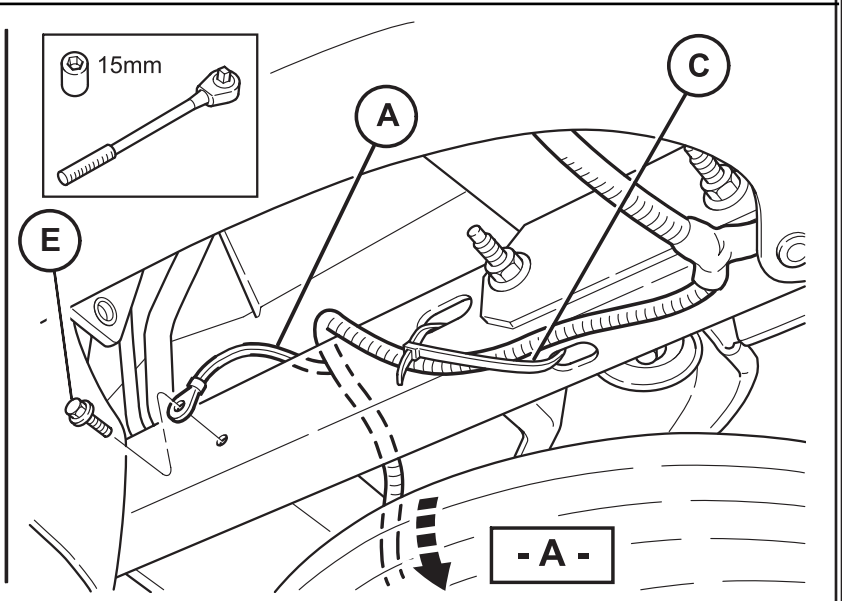
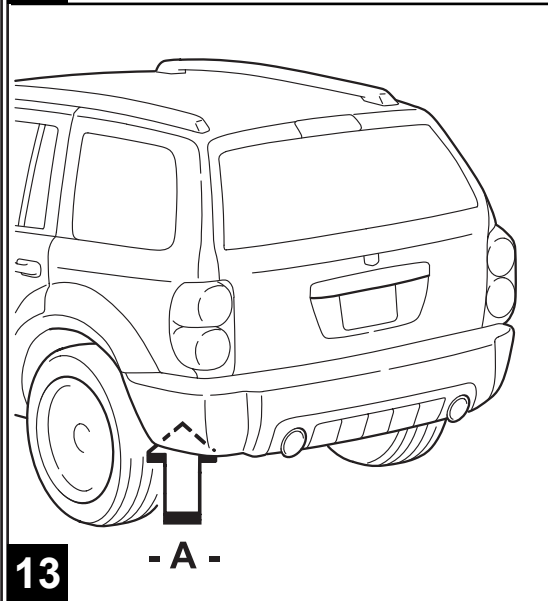
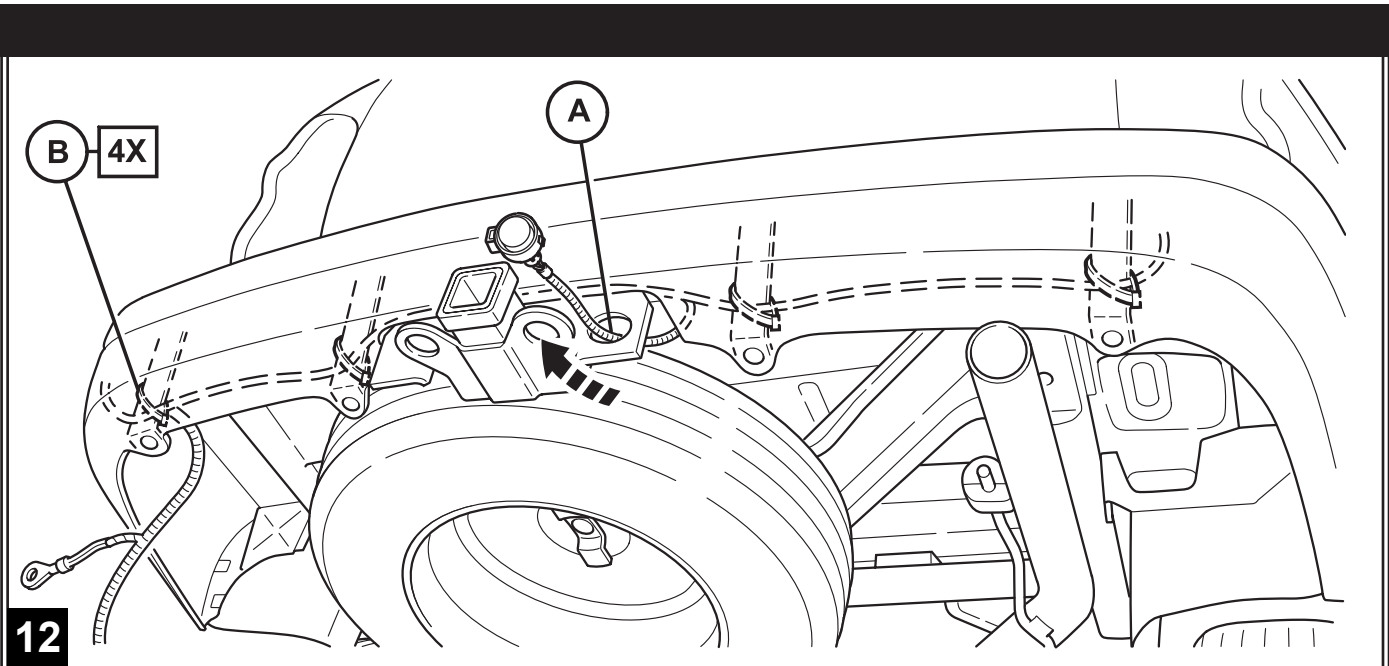
9

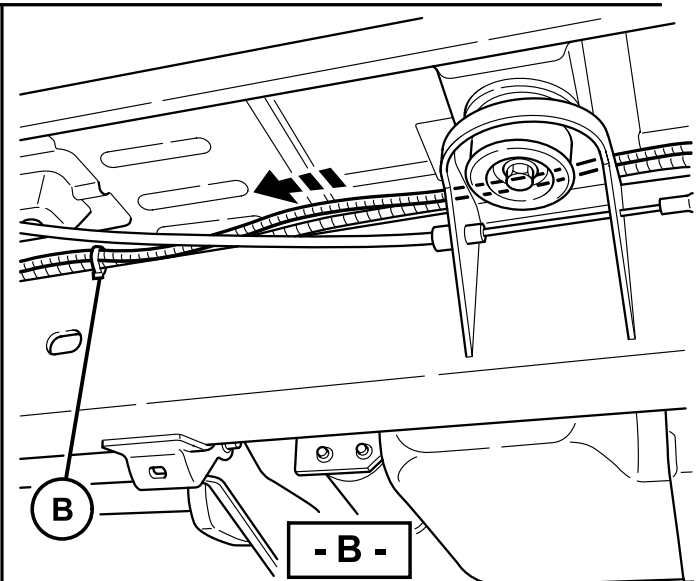
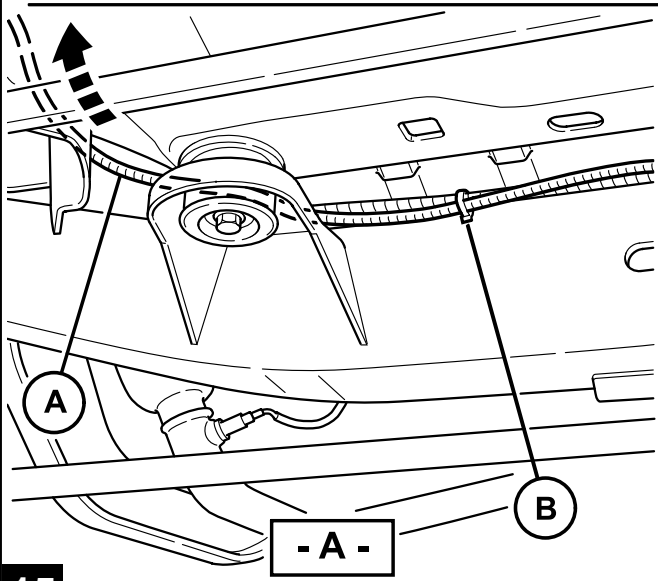
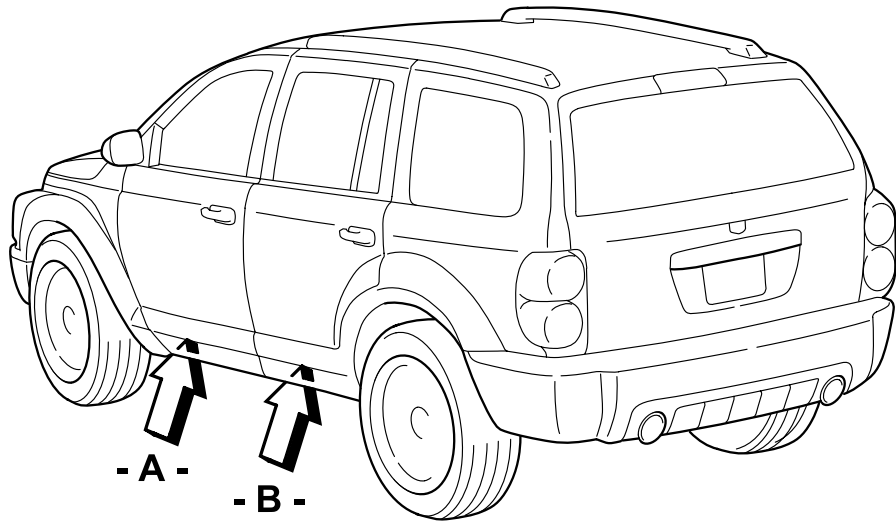


10



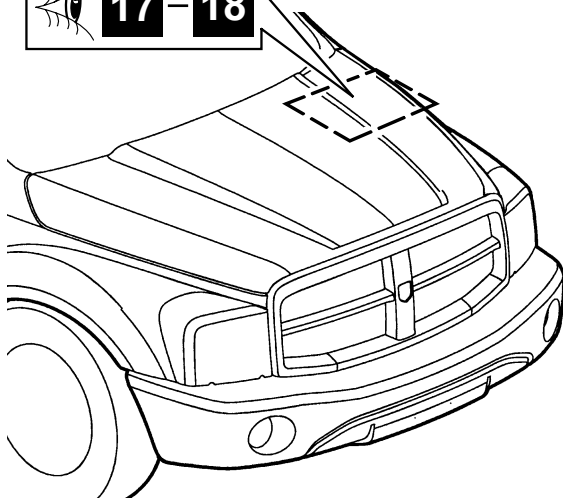
11



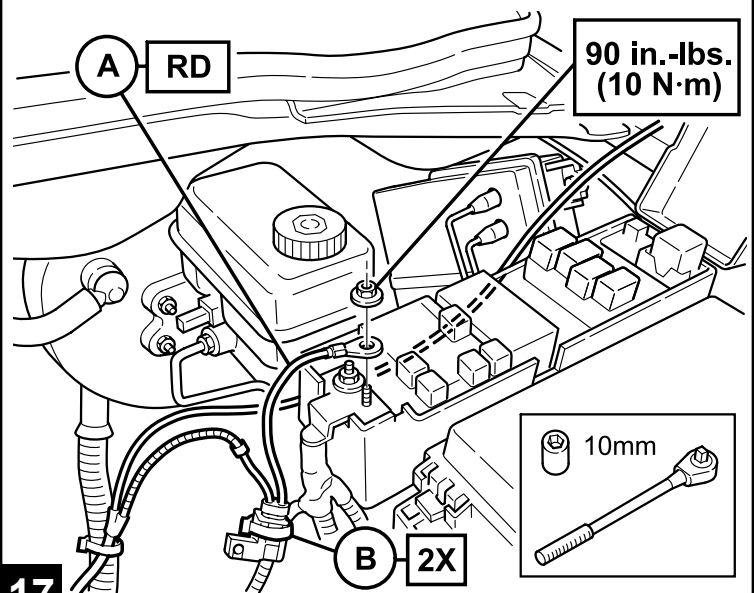


15

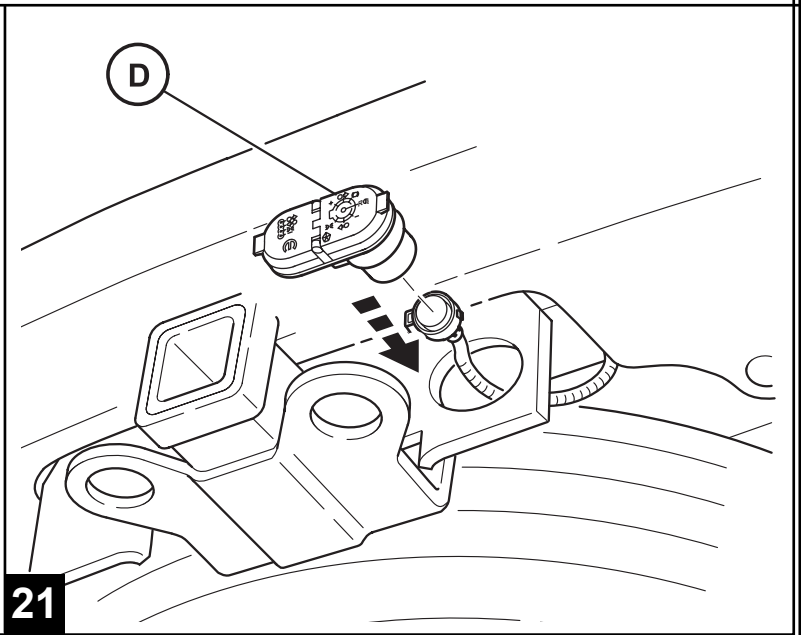
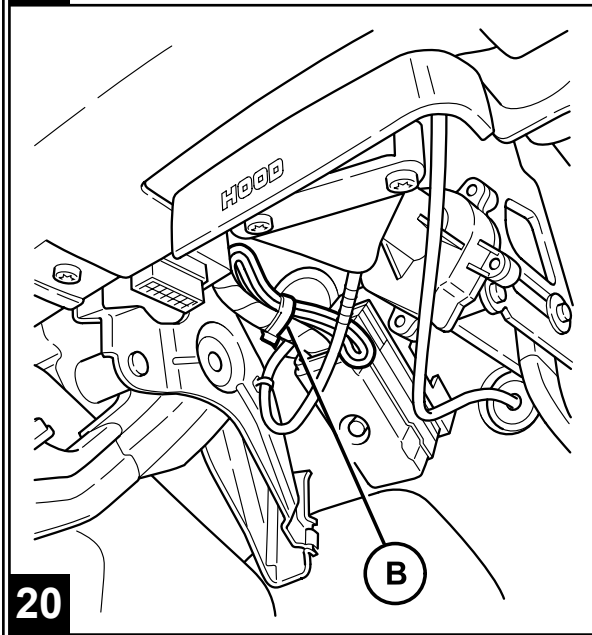
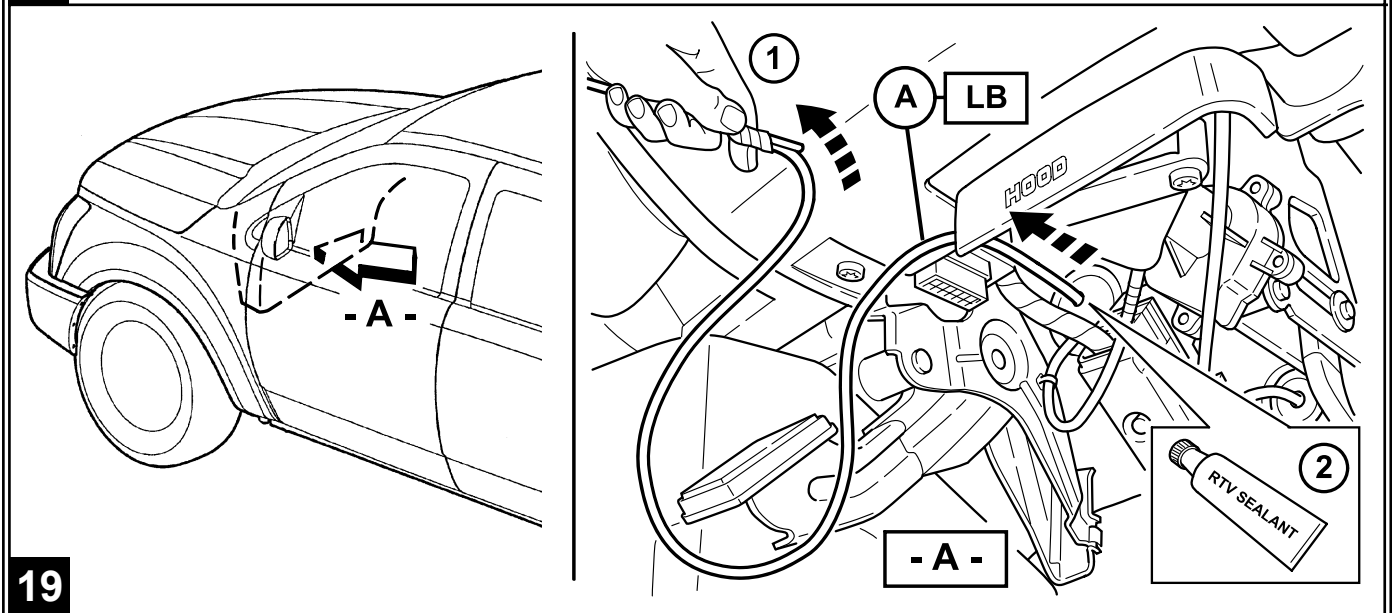
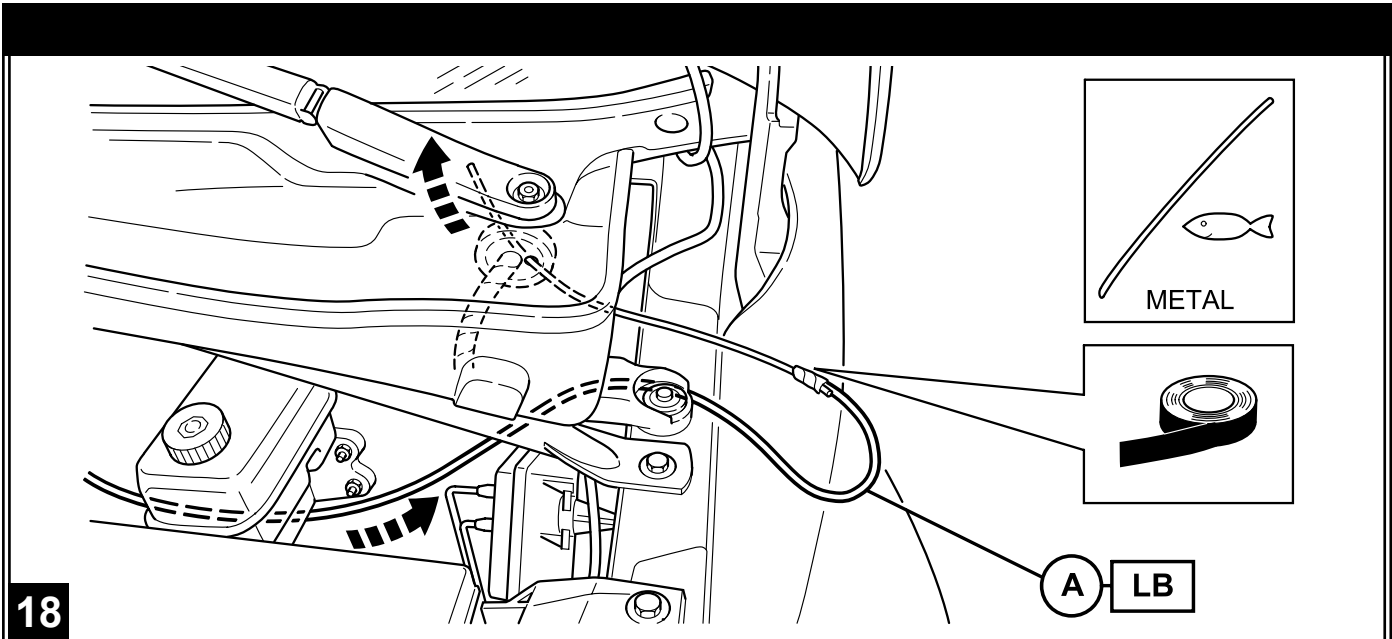
17-18

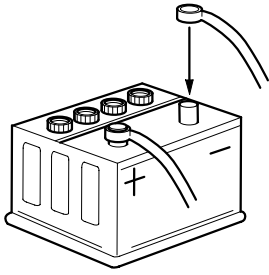


16

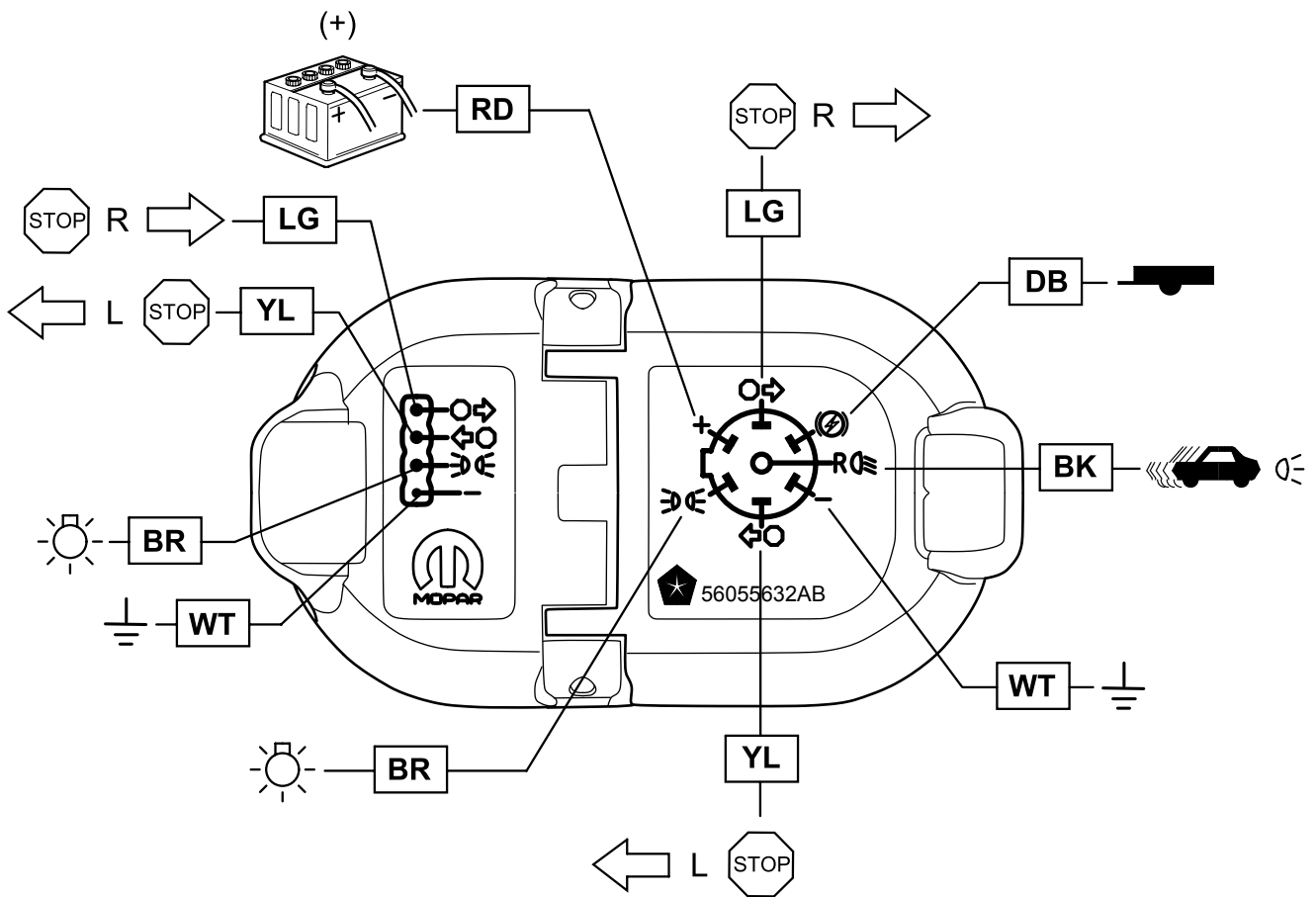


17





22



23