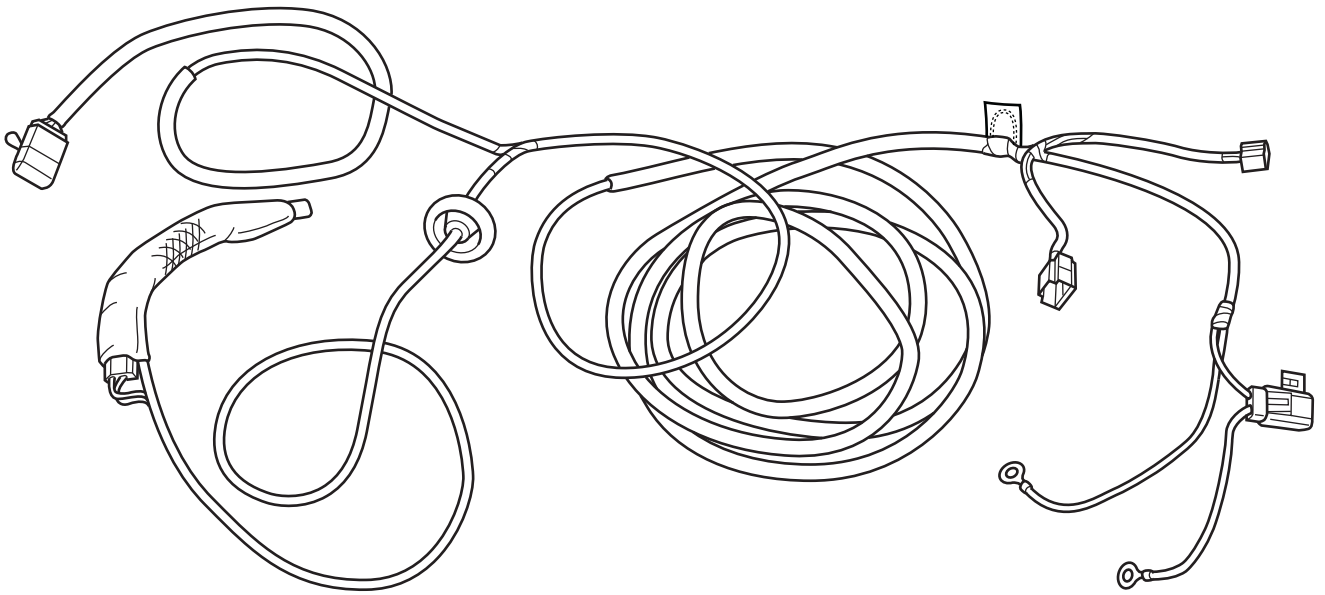




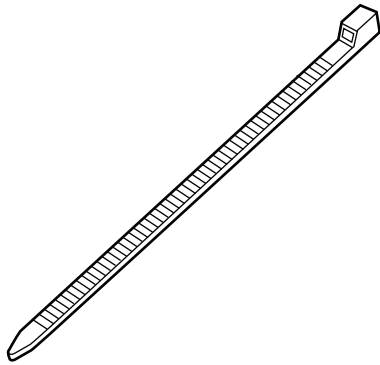
MOPAR®

# CHRYSLER PT CRUISER

## Trailer Tow Harness

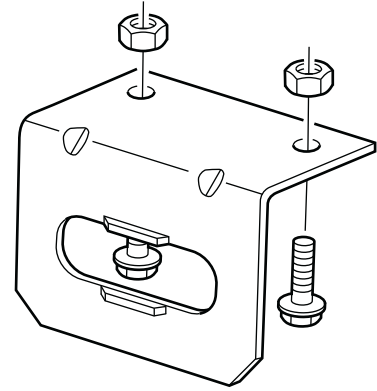


**A**

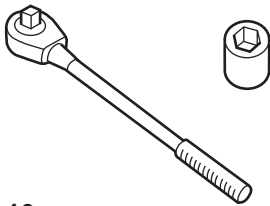


**B**

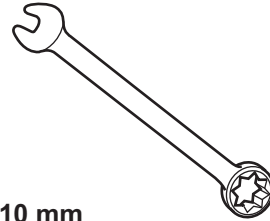
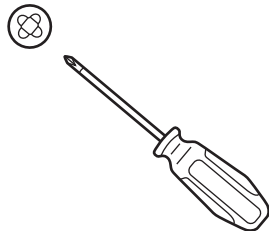
12X



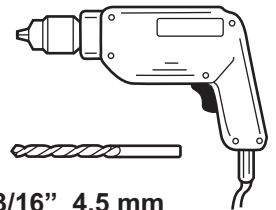
**C**



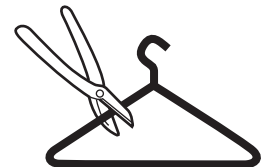
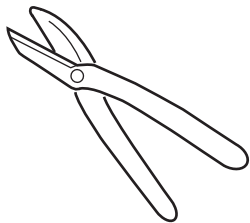
10 mm

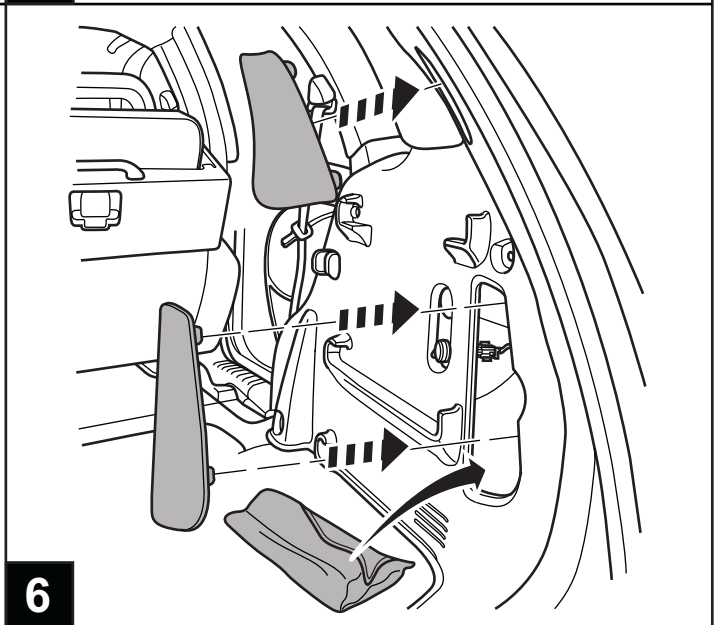
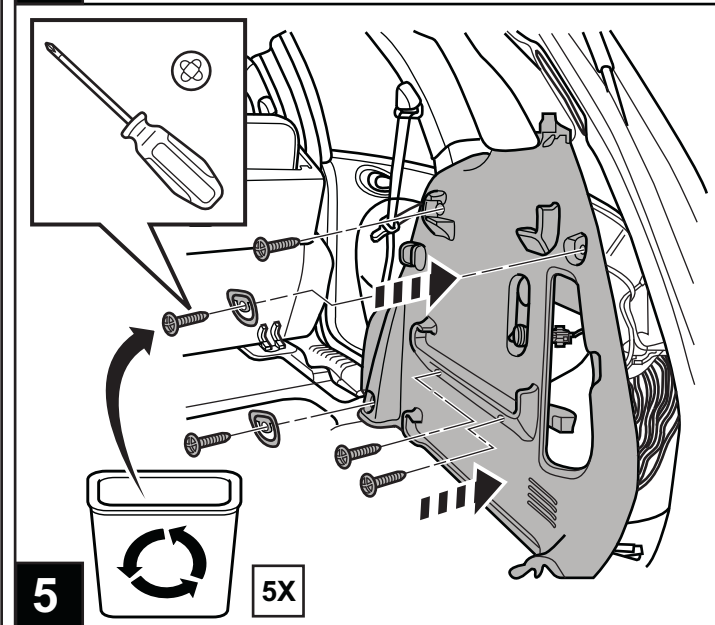
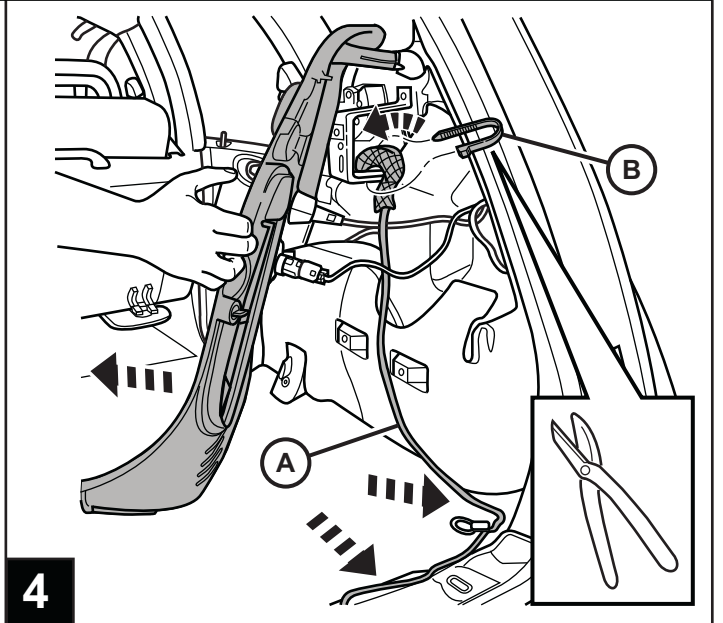
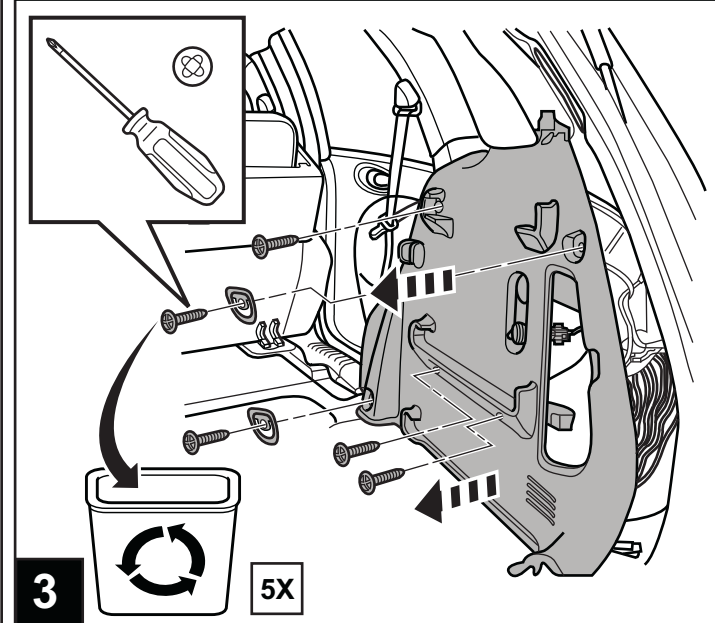
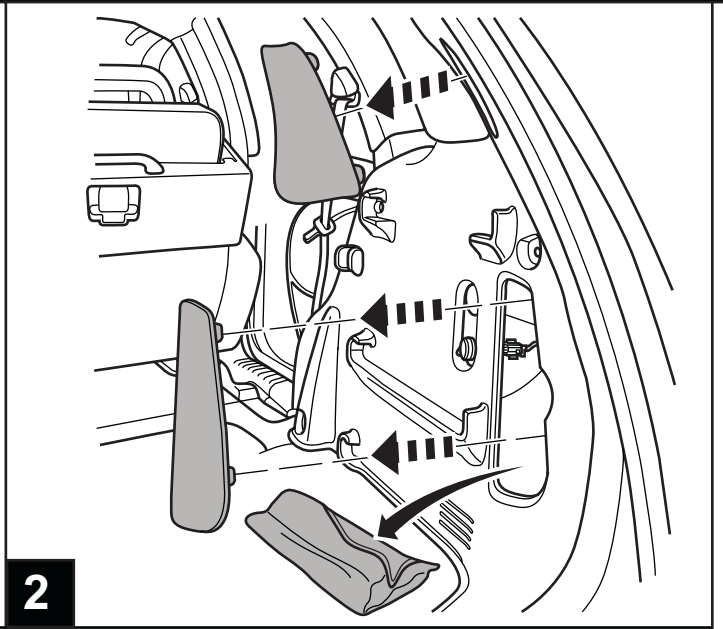
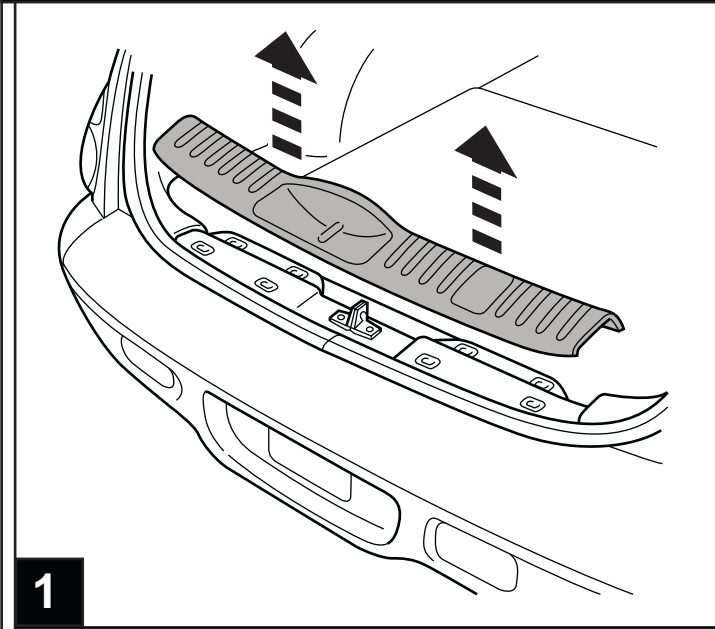


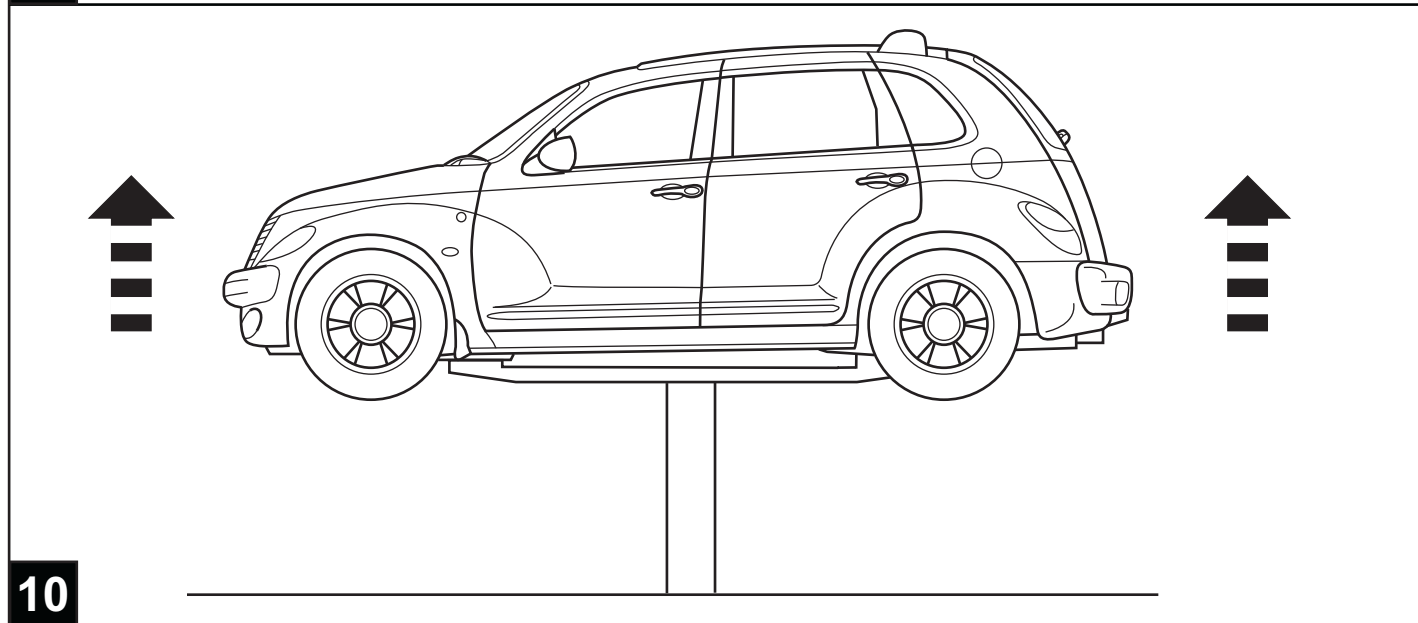
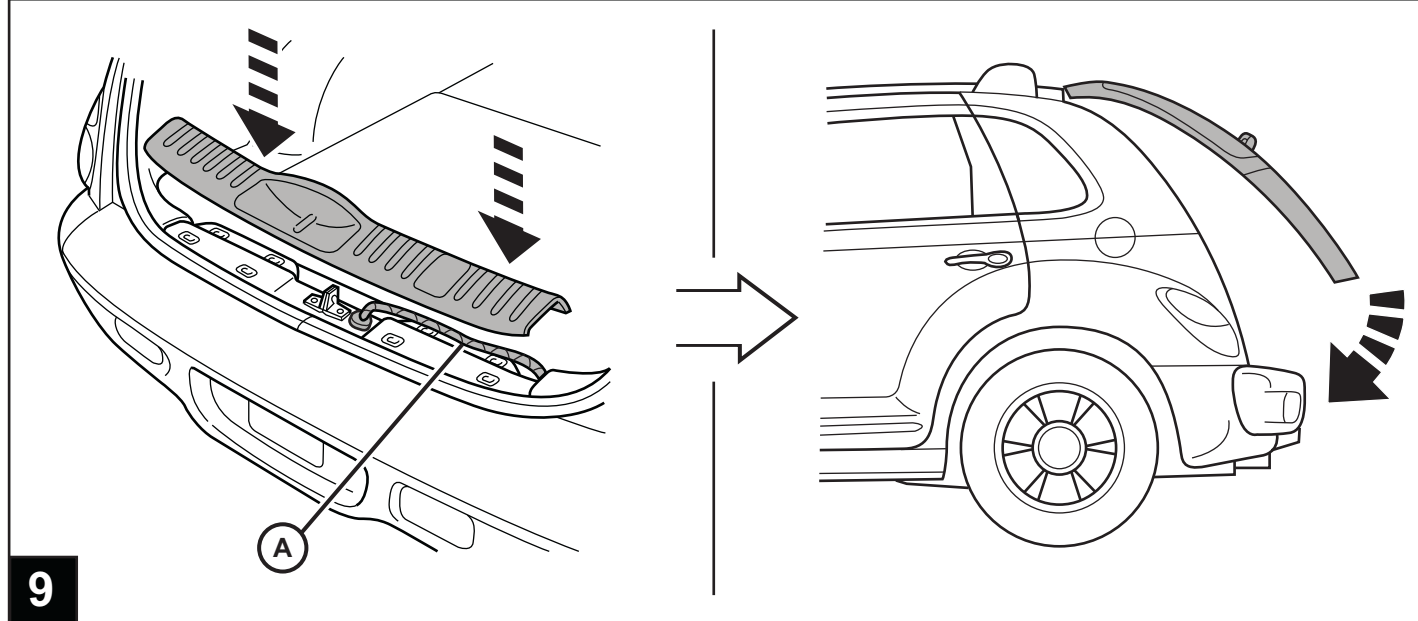
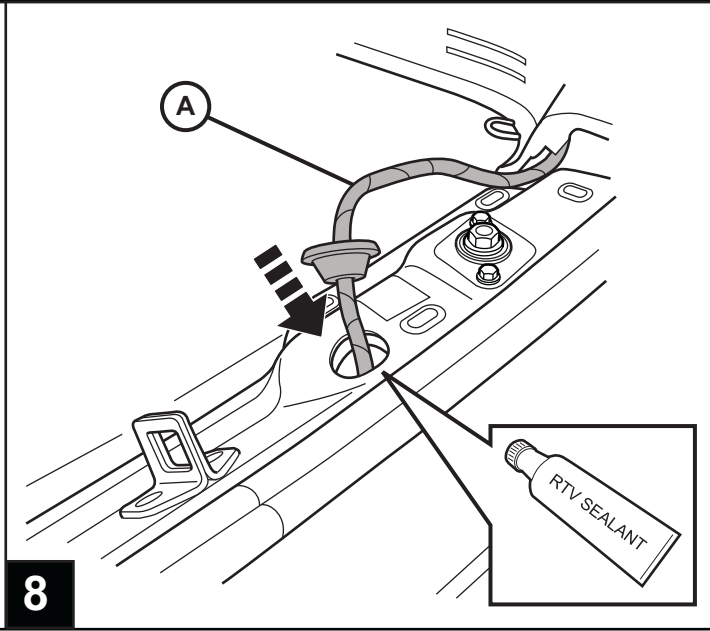
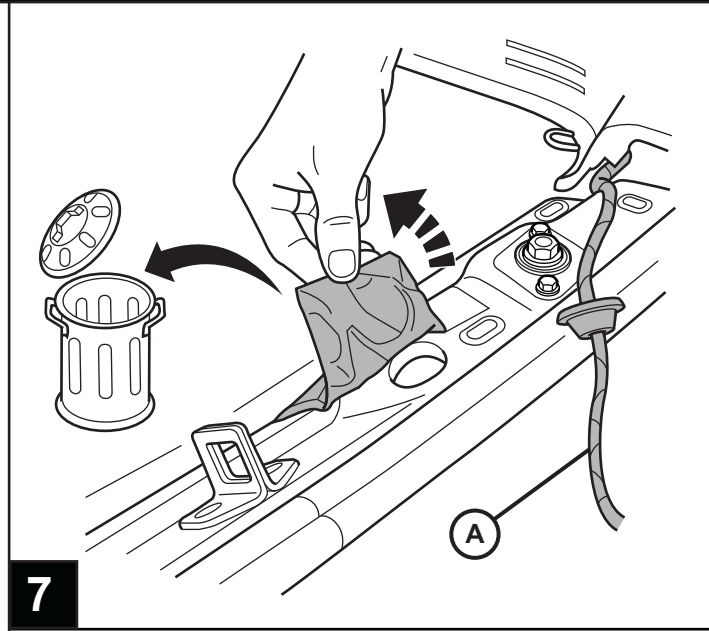
10 mm

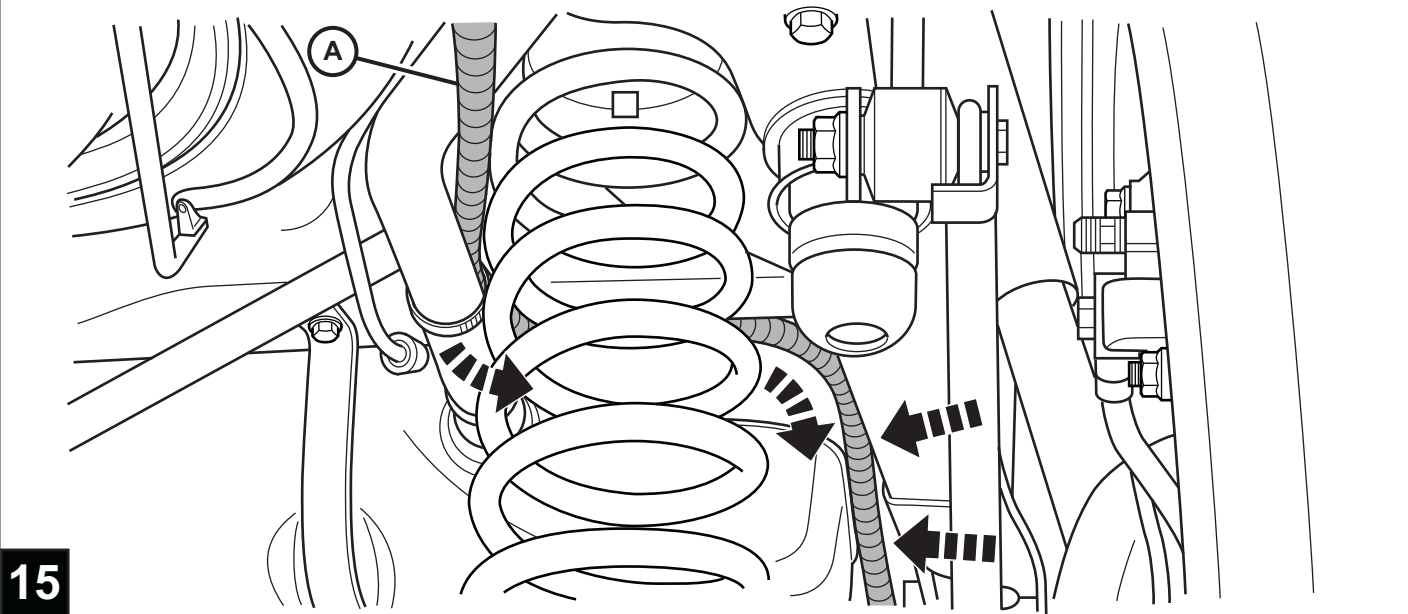
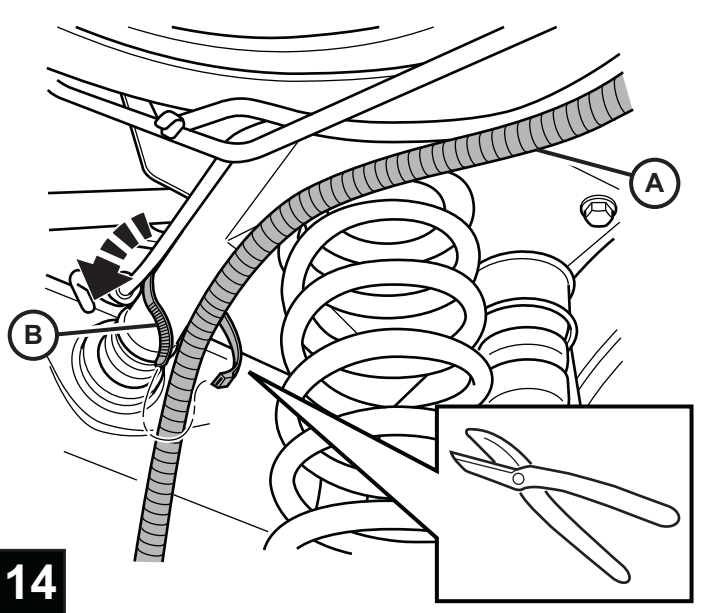
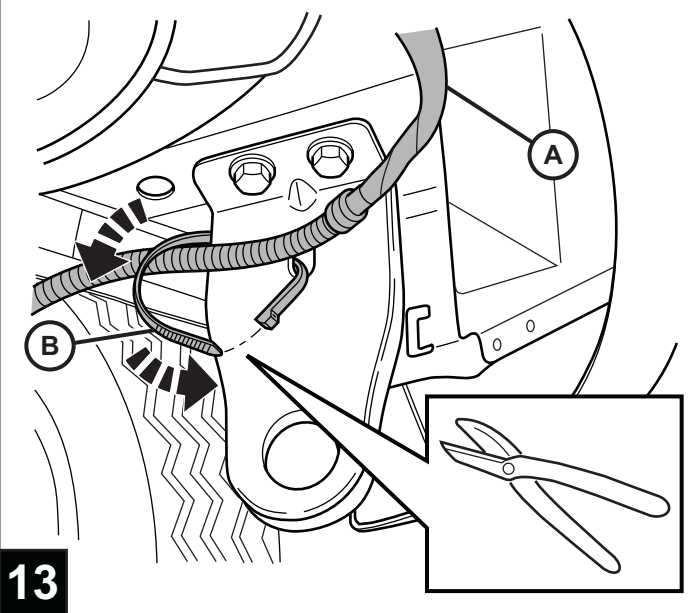
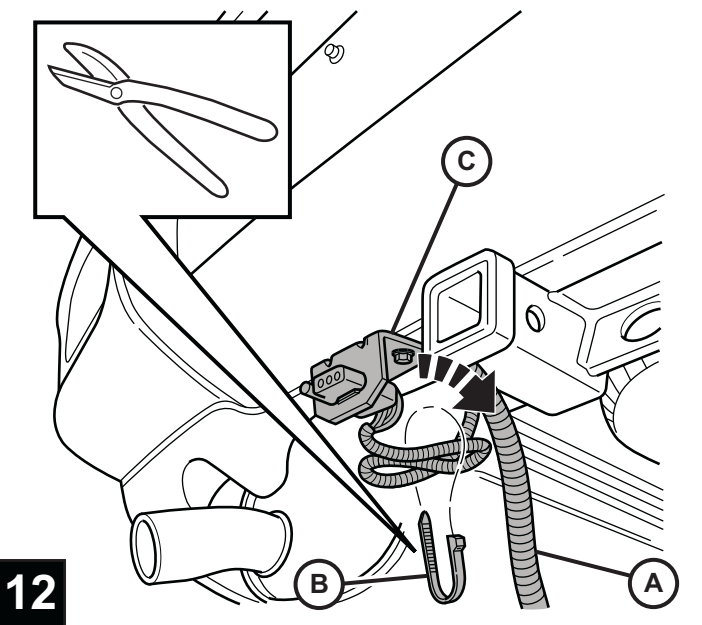
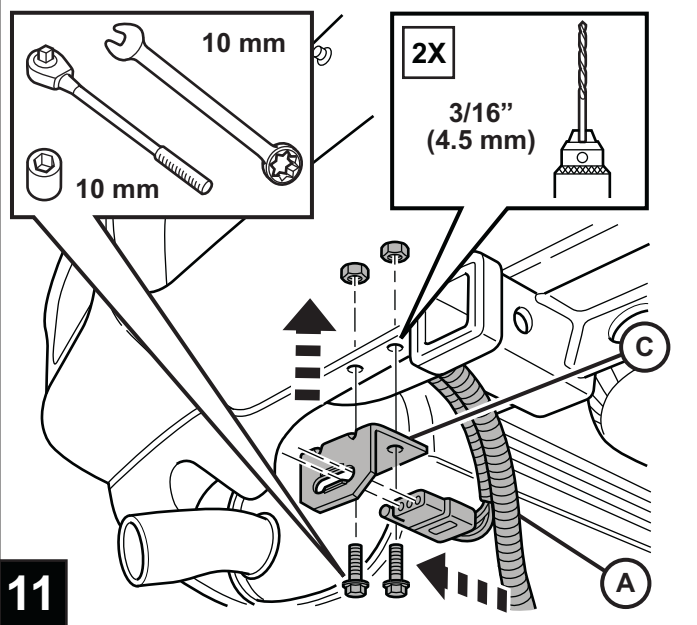


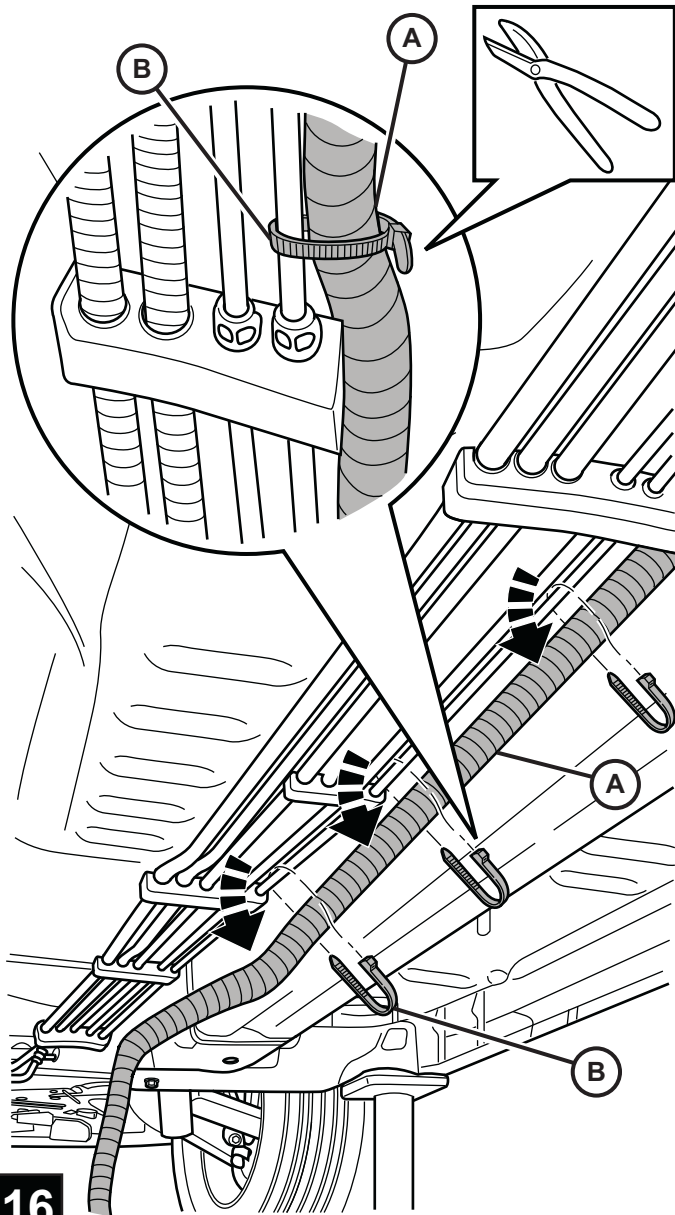
3/16" 4.5 mm



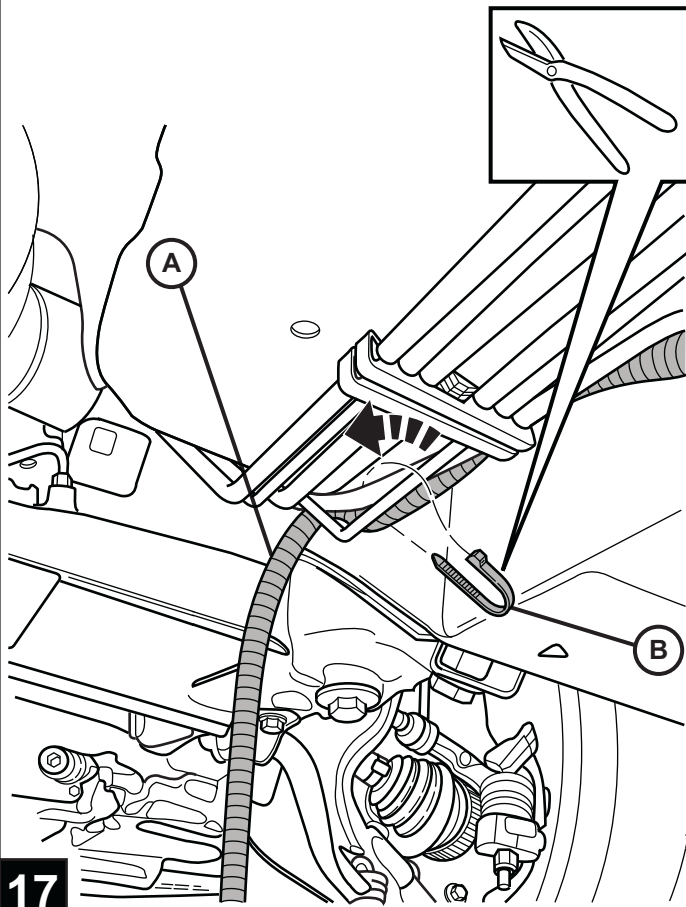




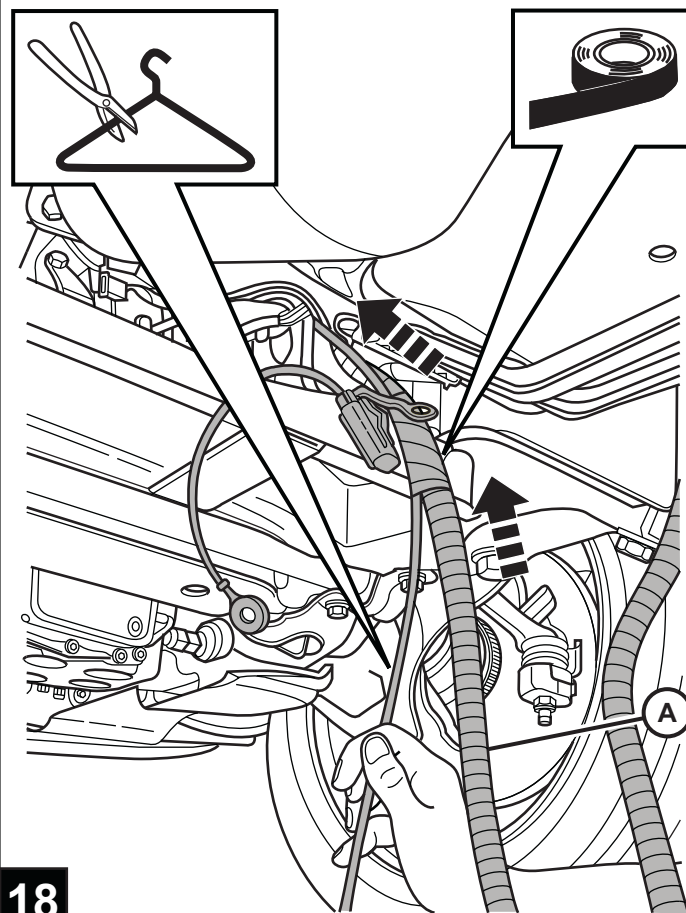




16



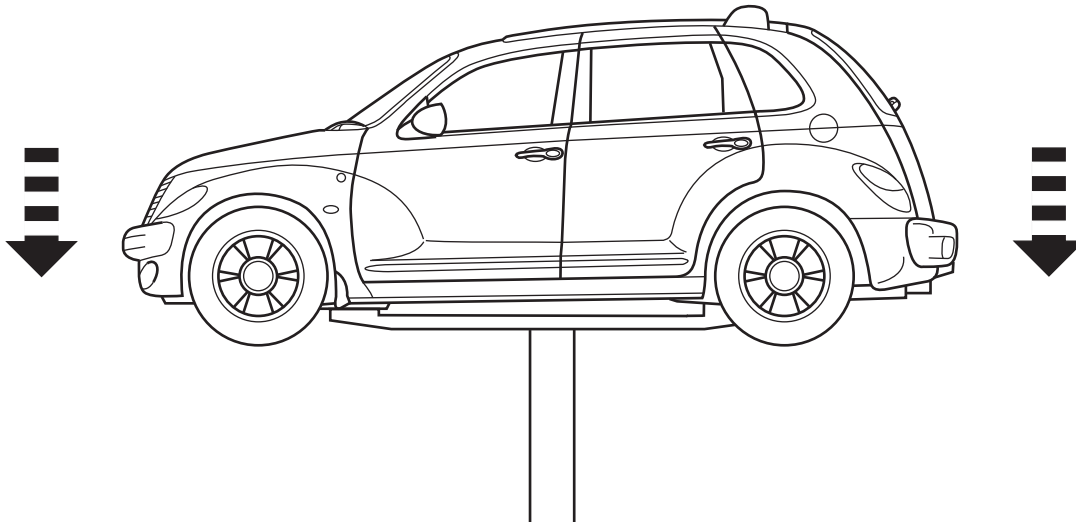
17



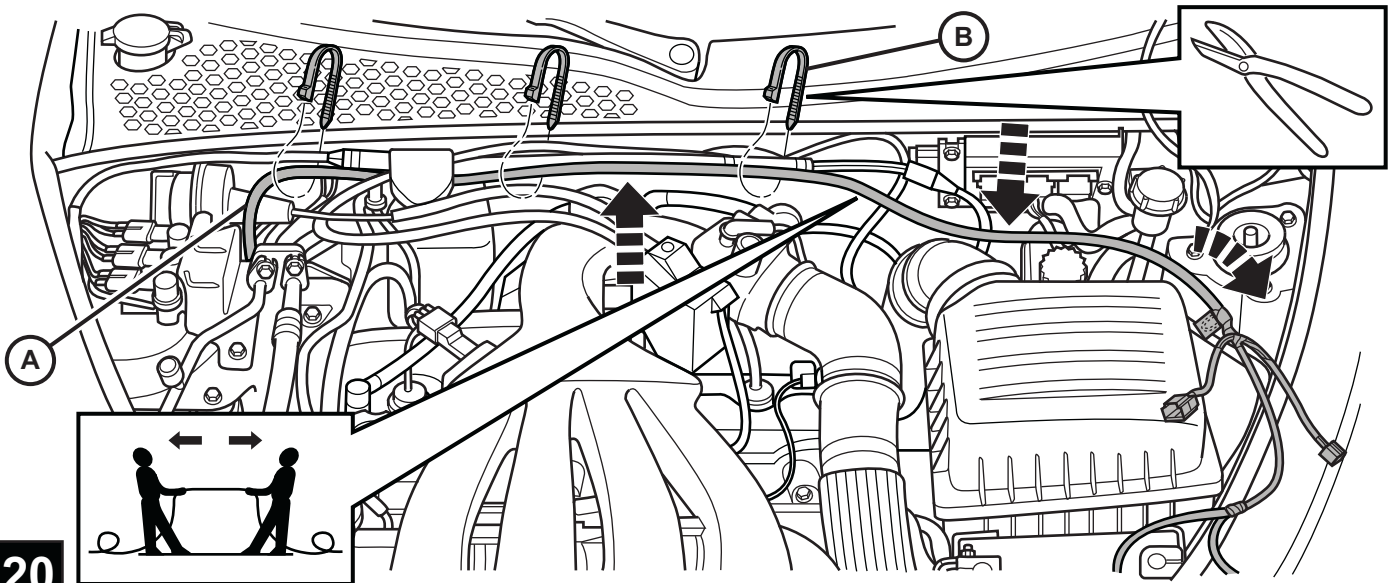
18

**⚠ CAUTION ⚠**

**WHEN ROUTING TOW  
HARNES  
THROUGH ENGINE  
COMPARTMENT, HARNES  
MUST BE MOUNTED AWAY**



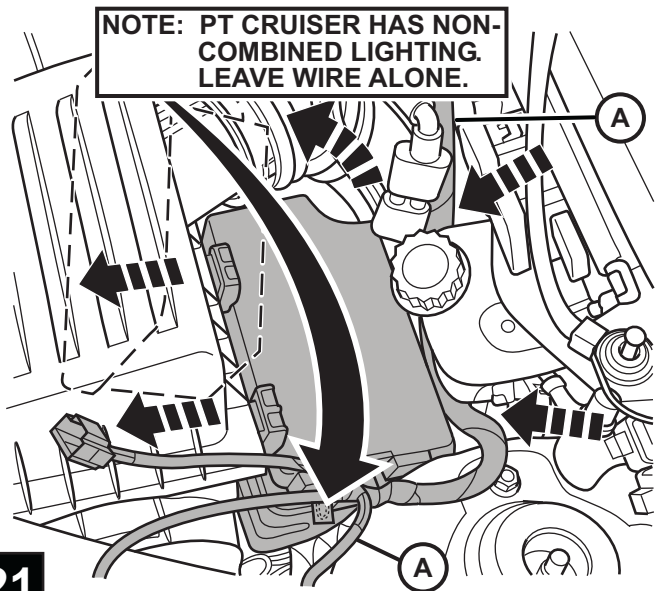
19



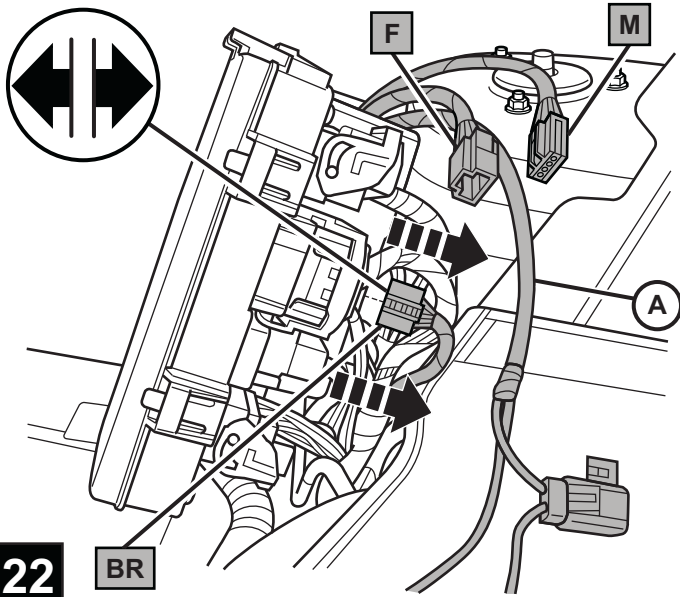
20

**⚠ CAUTION ⚠**

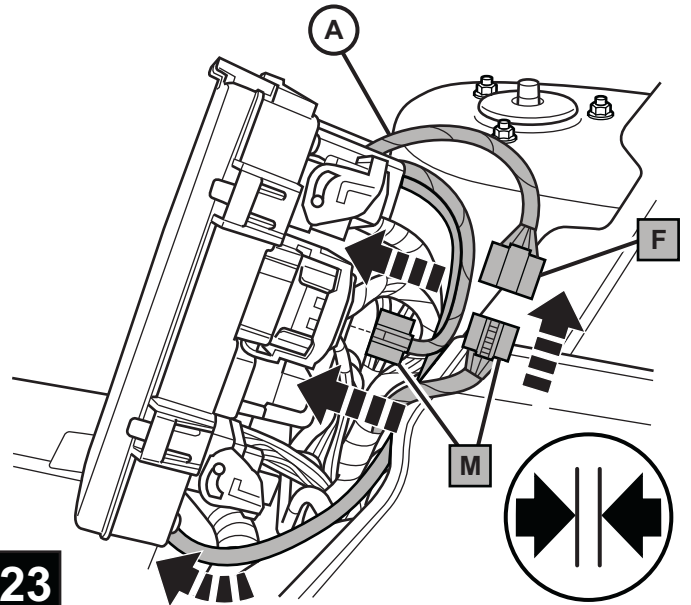
**TO AVOID FIRE OR MELTING, TOW HARNESS MUST BE ROUTED AWAY FROM EXHAUST MANIFOLD HEAT SHIELD AND**



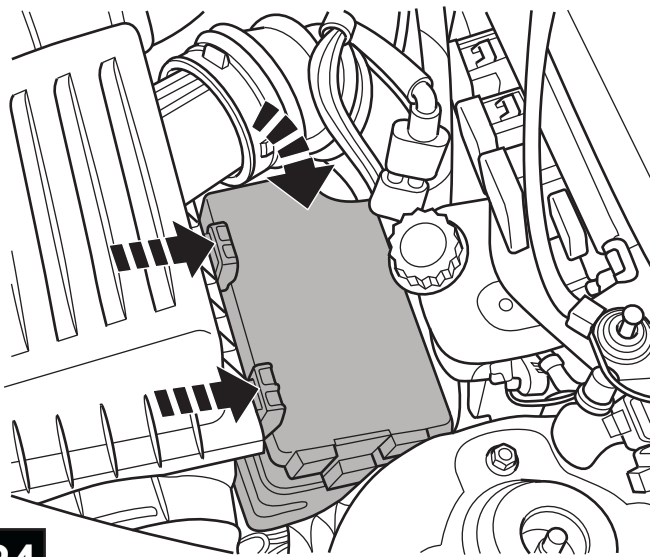
21



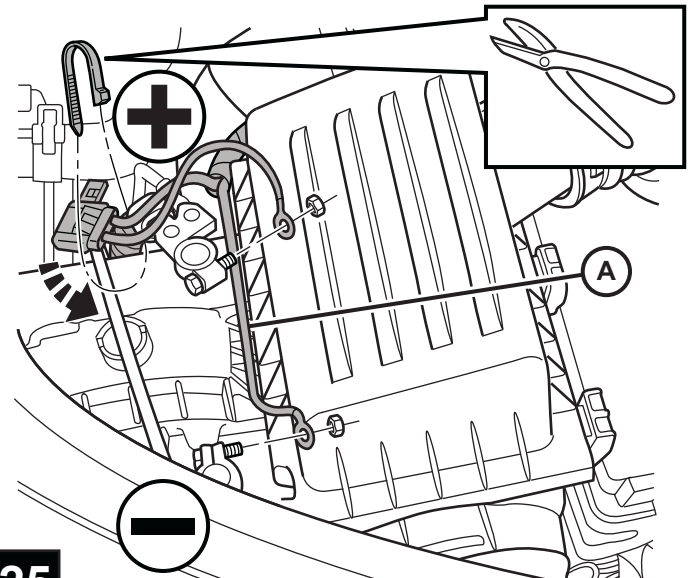
22



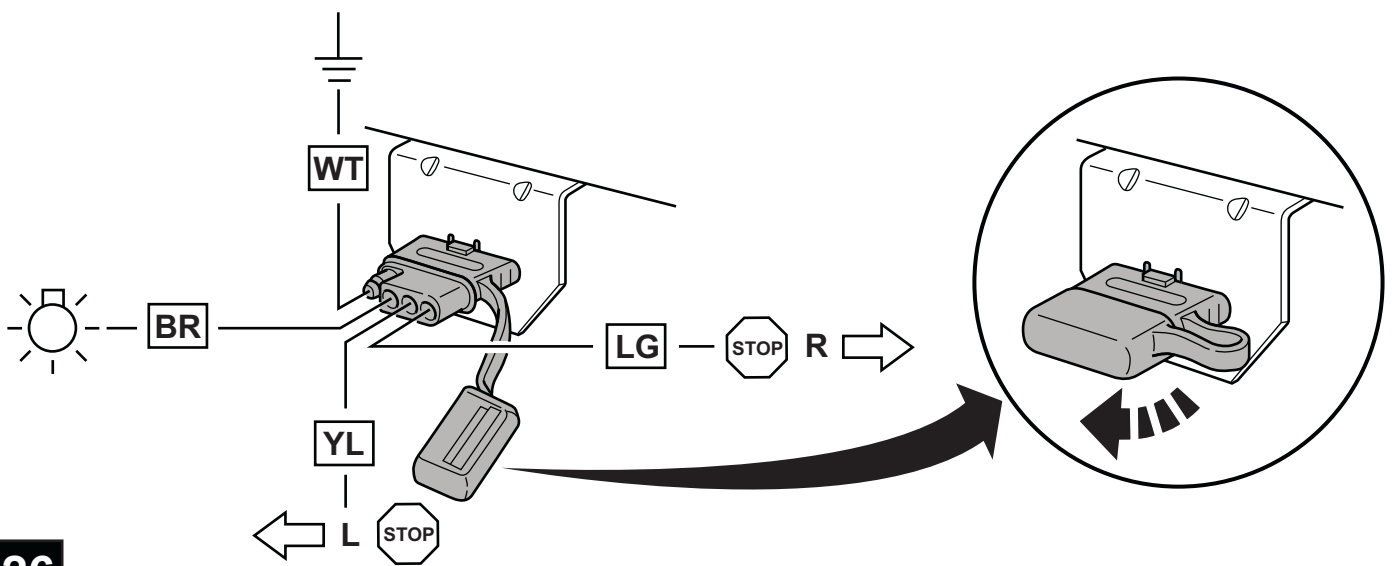
23



24



25



26