

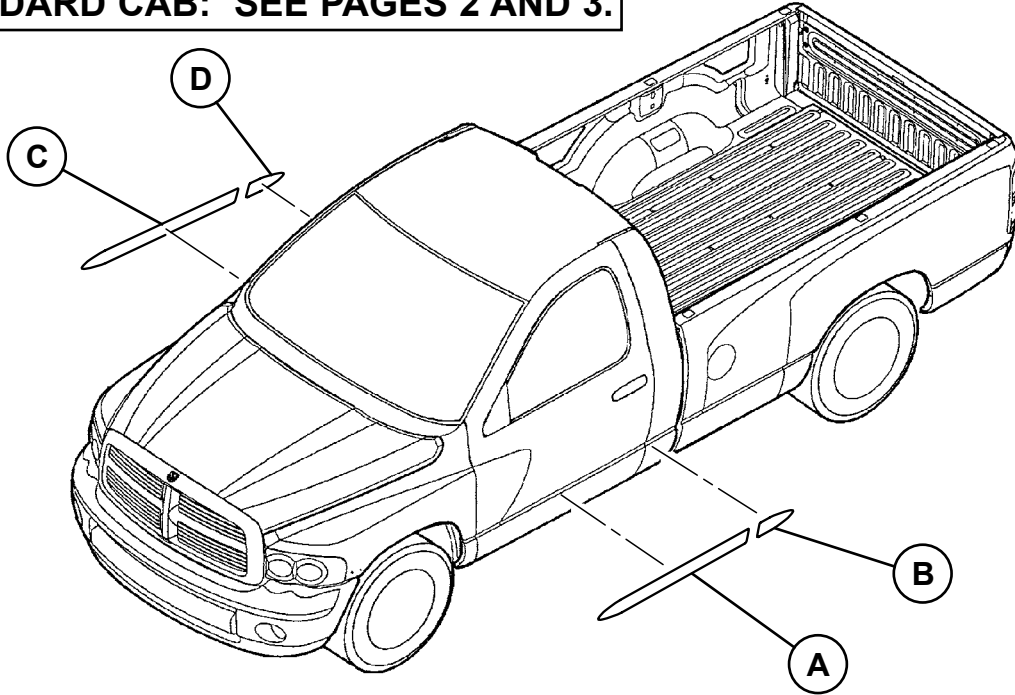


MOPAR®

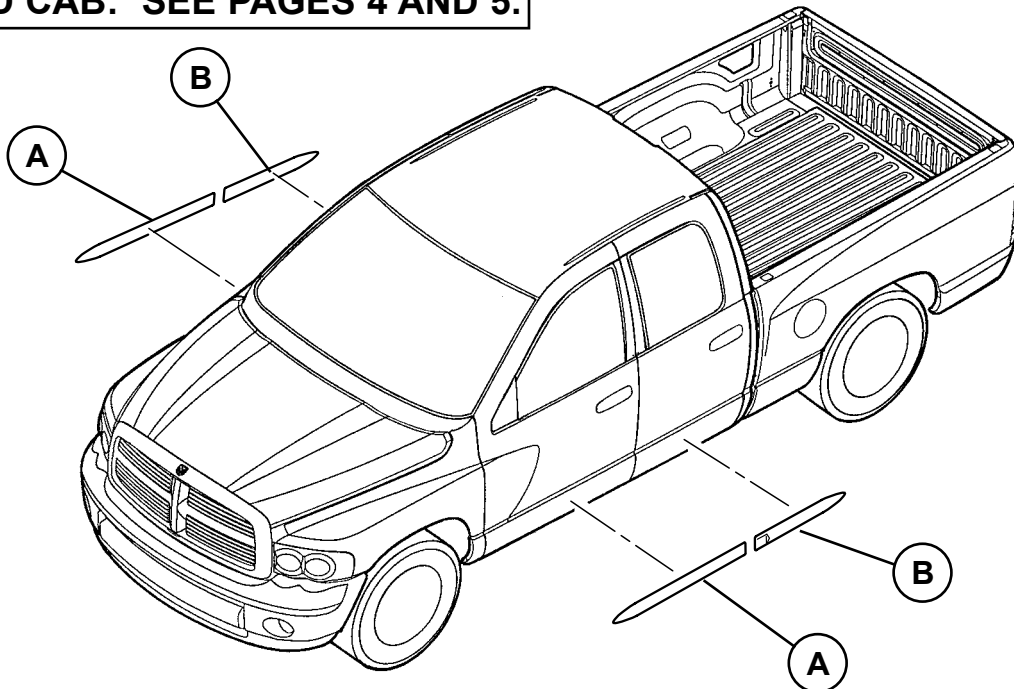
DODGE RAM TRUCK

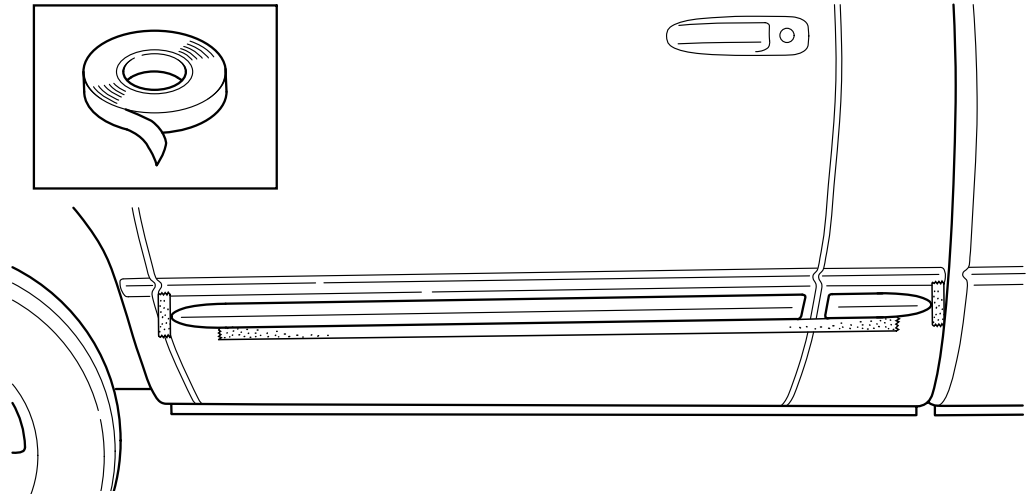
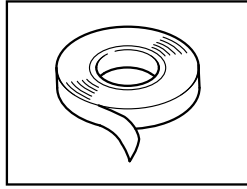
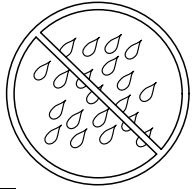
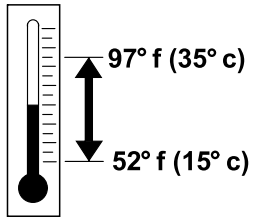
Chrome Door Mouldings

STANDARD CAB: SEE PAGES 2 AND 3.



QUAD CAB: SEE PAGES 4 AND 5.

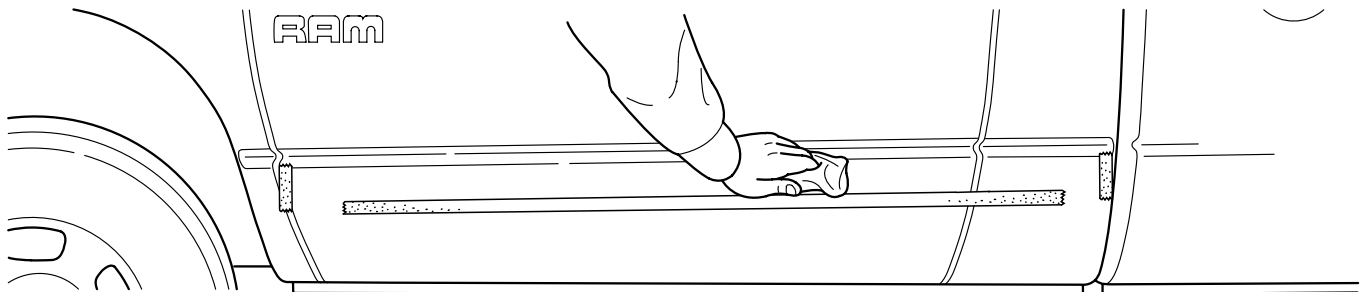
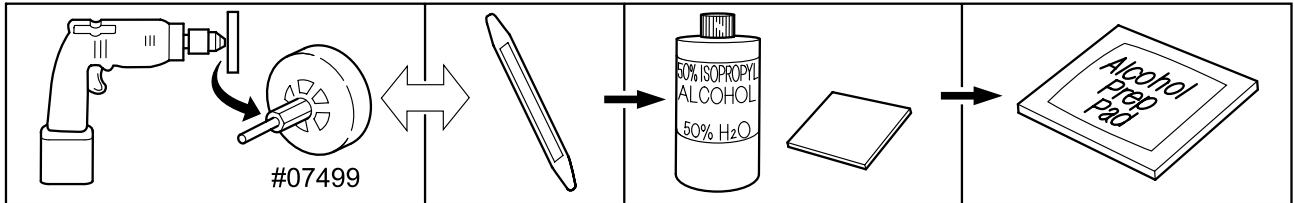




1

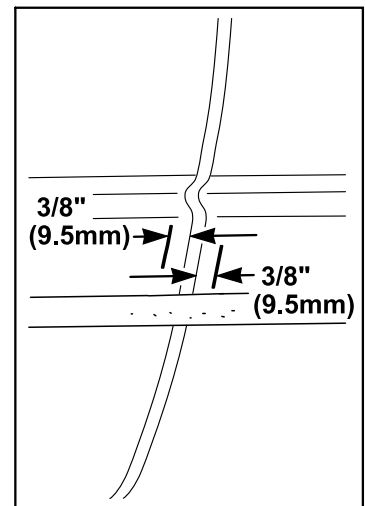
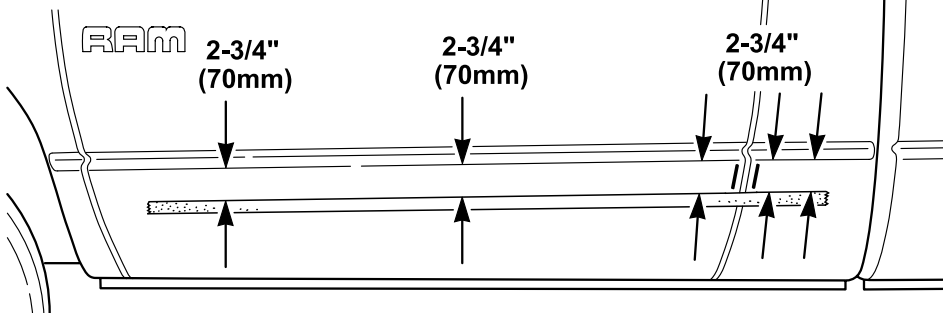
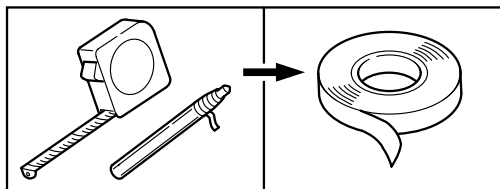
2

IF VEHICLE HAS FACTORY INSTALLED MOULDINGS, APPLY MASKING TAPE AS SHOWN.



3

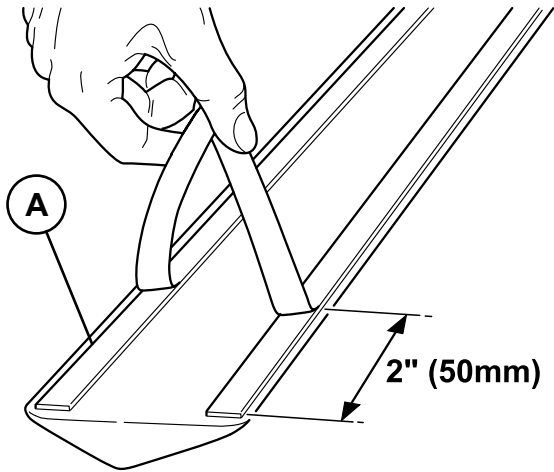
REMOVE EXISTING MOULDINGS AND ADHESIVE RESIDUE.



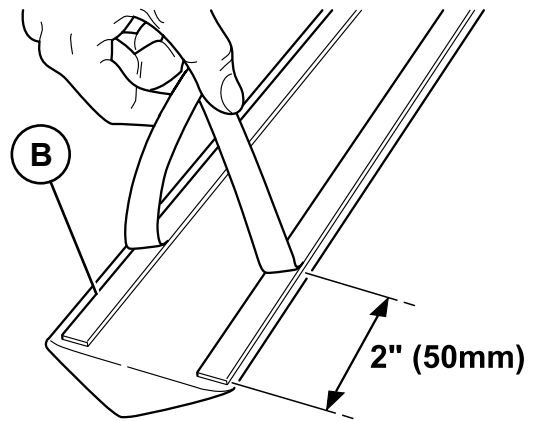
4

IF VEHICLE HAS NO MOULDINGS, MEASURE AS SHOWN AND APPLY MASKING TAPE.

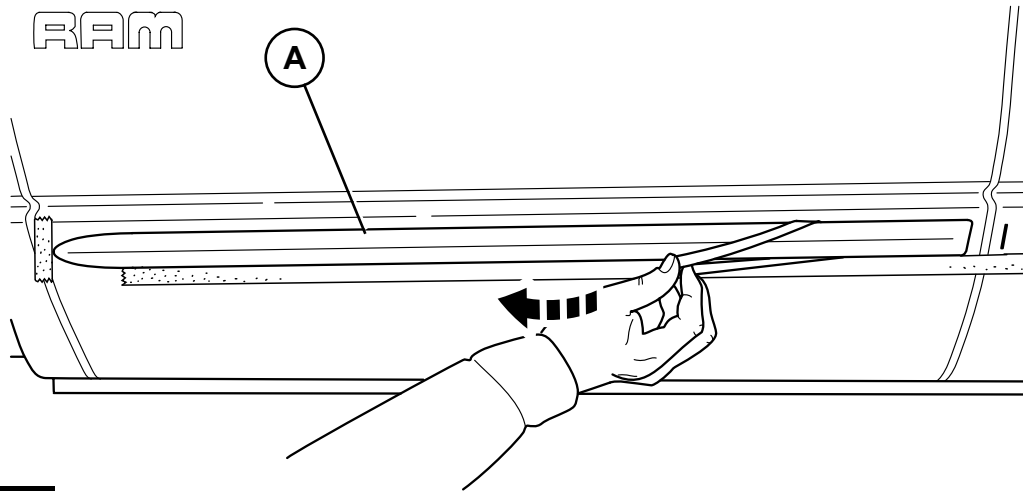
STANDARD CAB



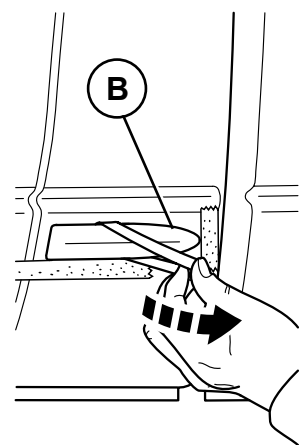
5



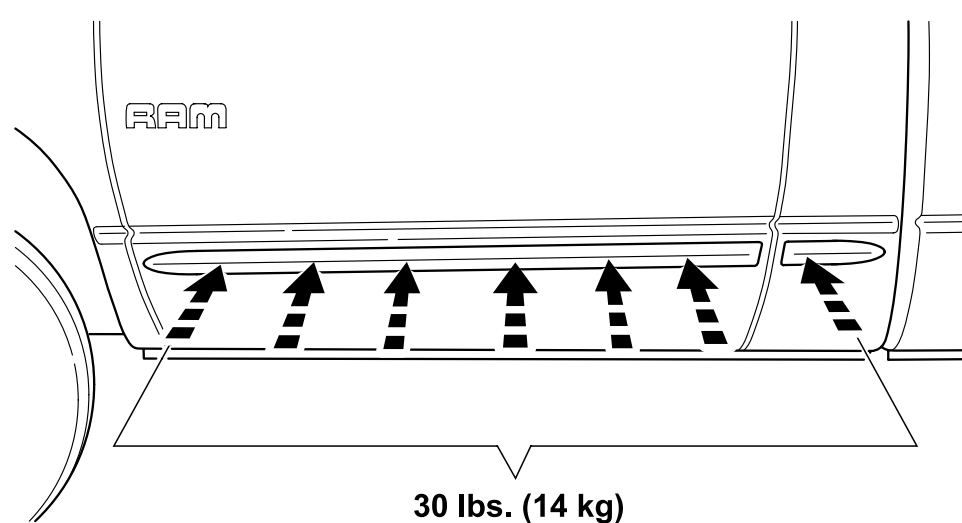
6



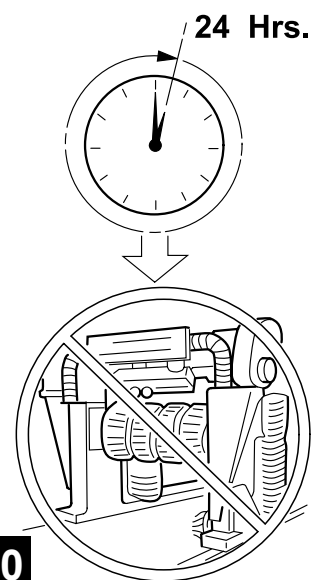
7



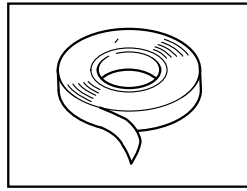
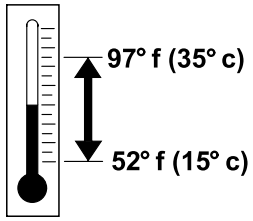
8



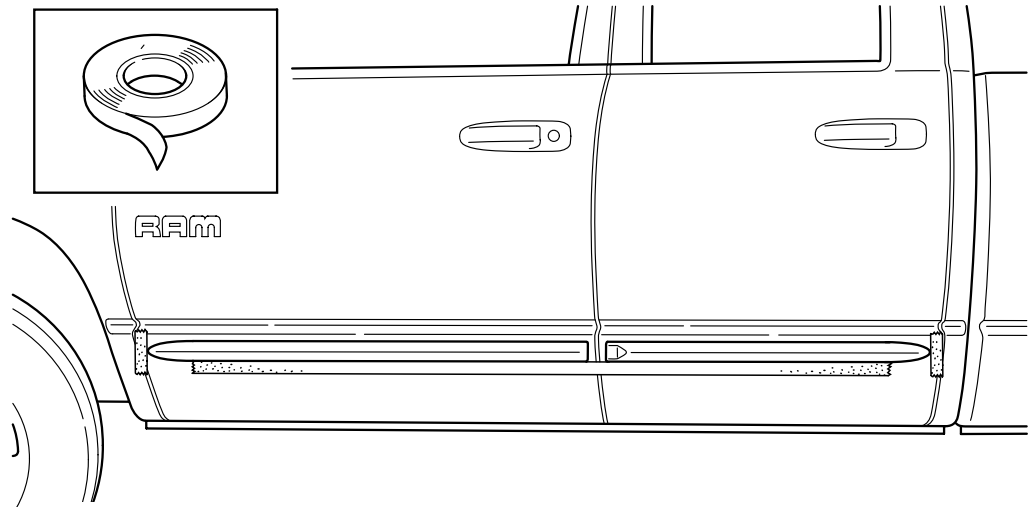
9



10



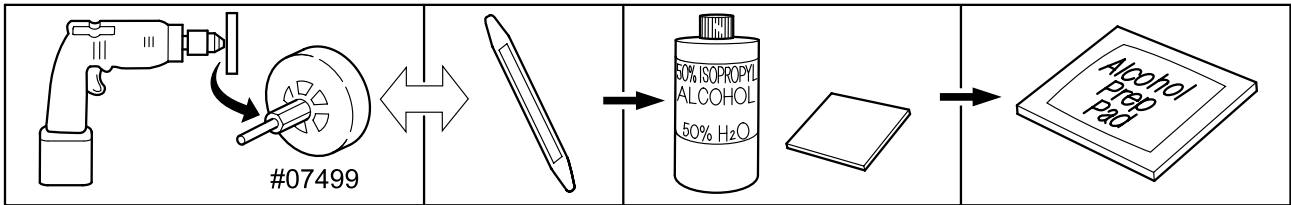
RAM



1

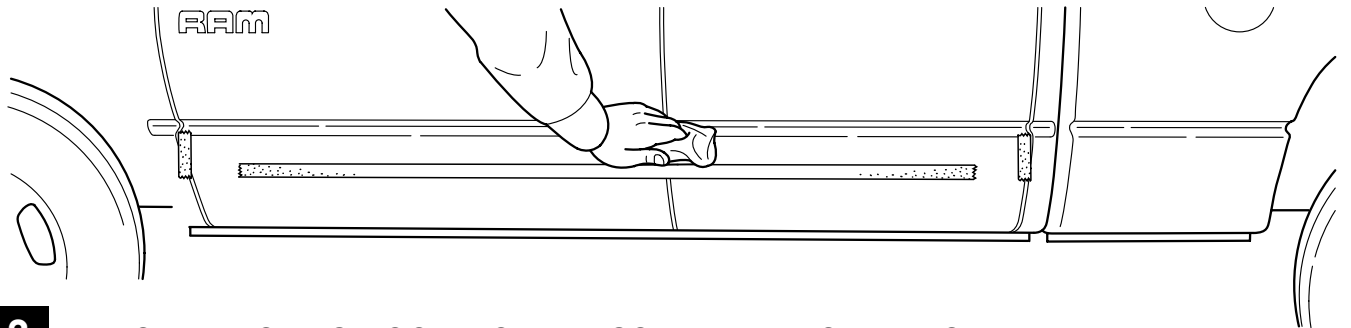
2

IF VEHICLE HAS FACTORY INSTALLED MOULDINGS, APPLY MASKING TAPE AS SHOWN.



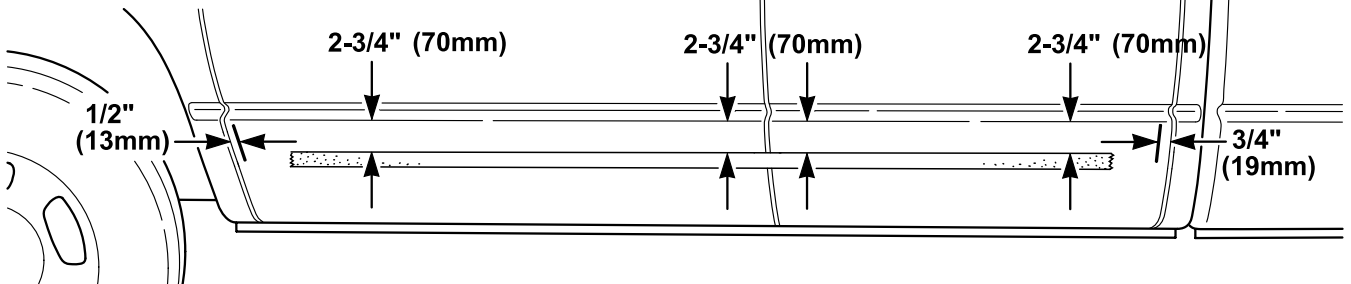
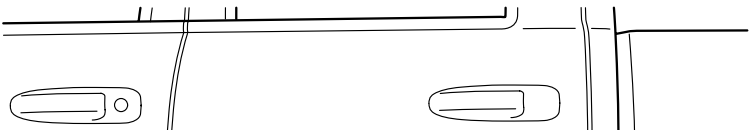
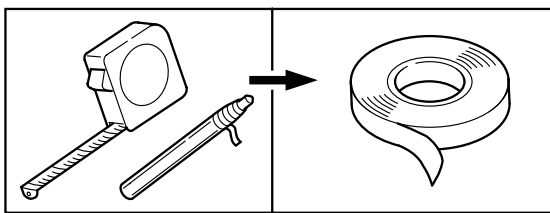
#07499

RAM



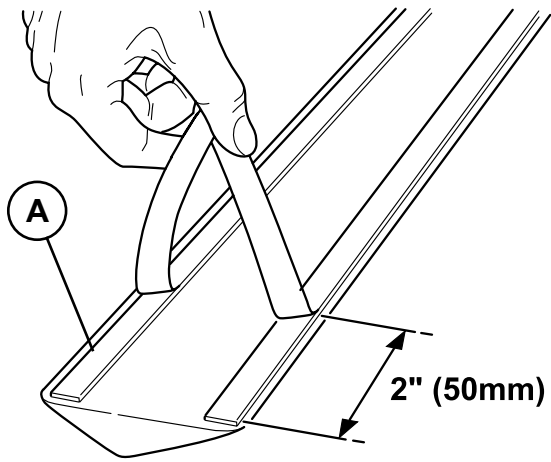
3

REMOVE EXISTING DOOR MOULDINGS AND ADHESIVE RESIDUE.

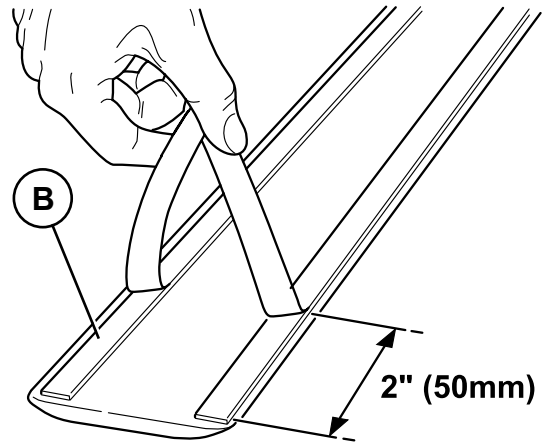


5

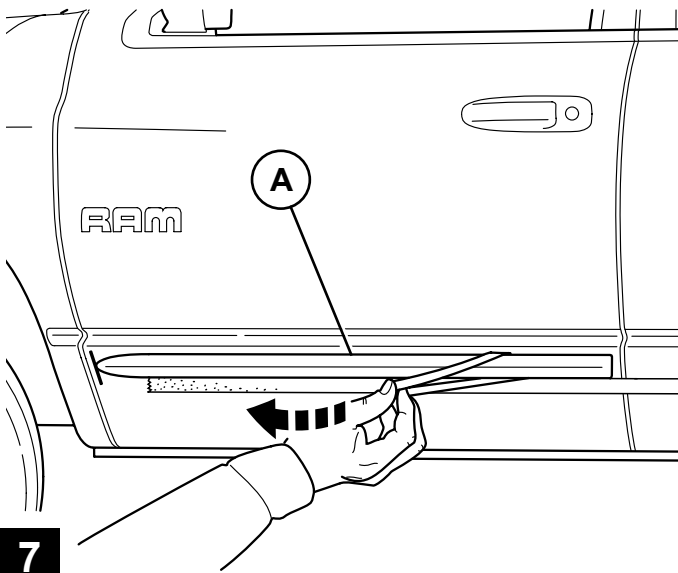
IF VEHICLE HAS NO MOULDINGS, MEASURE AS SHOWN AND APPLY MASKING TAPE.



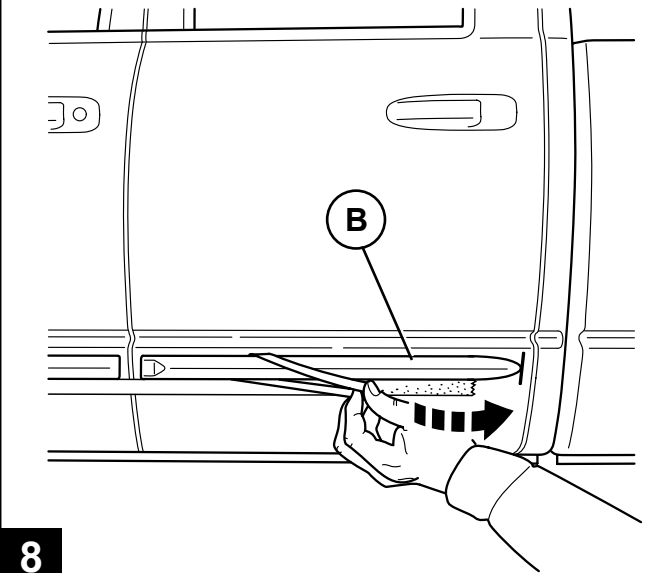
5



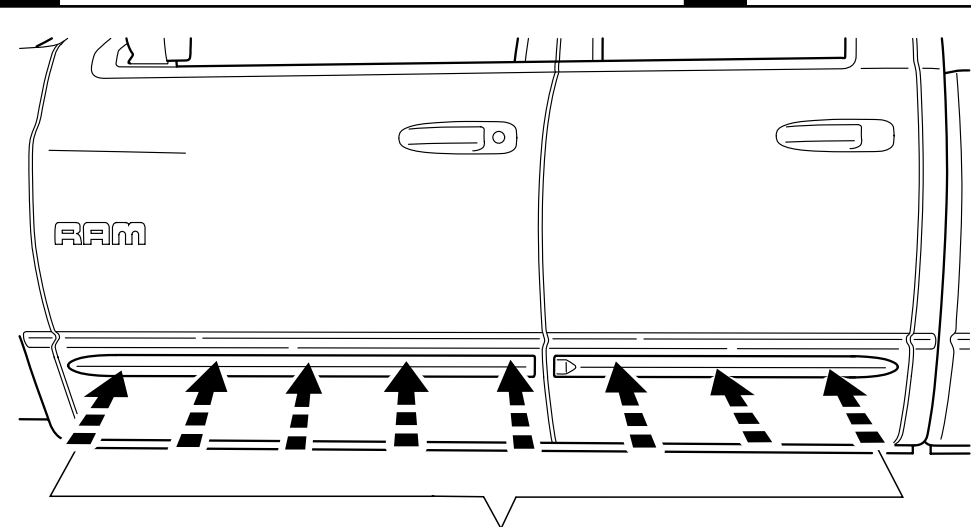
6



7

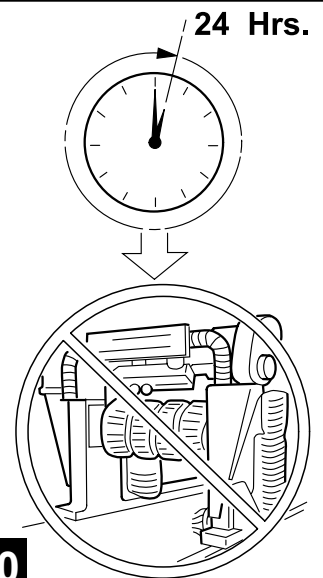


8



9

30 lbs. (14 kg)



10